



US00D480672S

(12) **United States Design Patent**
Pfeiffer et al.

(10) **Patent No.:** **US D480,672 S**

(45) **Date of Patent:** **** Oct. 14, 2003**

(54) **FRONT FACE OF A VEHICLE WHEEL**

(75) **Inventors:** **Peter Pfeiffer**, Boeblingen (DE); **Murat Guenak**, Ehningen (DE); **Franz Lecher**, Sindelfingen (DE)

(73) **Assignee:** **DaimlerChrysler AG**, Stuttgart (DE)

(**) **Term:** **14 Years**

(21) **Appl. No.:** **29/155,728**

(22) **Filed:** **Feb. 19, 2002**

(30) **Foreign Application Priority Data**

Aug. 17, 2001 (DE) 4 01 07 252

(51) **LOC (7) Cl.** **12-16**

(52) **U.S. Cl.** **D12/209**

(58) **Field of Search** D12/204-211;
301/37.101, 67.101, 65

(56) **References Cited**

U.S. PATENT DOCUMENTS

- D204,669 S * 5/1966 Goodwin D12/209
- D204,933 S * 5/1966 Richter D12/211
- D219,871 S * 2/1971 Griffith D12/209
- D402,252 S * 12/1998 Kulla D12/211

- D403,291 S * 12/1998 Cullen D12/211
- D416,846 S * 11/1999 Melegari et al. D12/209
- D423,441 S * 4/2000 Bildhaeuser D12/209
- D432,068 S * 10/2000 Fitzgerald D12/209
- D432,970 S * 10/2000 Pfeiffer et al. D12/209
- D448,711 S * 10/2001 Pusdesris D12/209
- D453,133 S * 1/2002 Murkett et al. D12/209
- D458,574 S * 6/2002 Kaucher D12/211
- D460,728 S * 7/2002 Clarke D12/209
- D460,938 S * 7/2002 Fitzgerald D12/209

* cited by examiner

Primary Examiner—Stacia Cadmus

(74) *Attorney, Agent, or Firm*—Crowell & Moring LLP

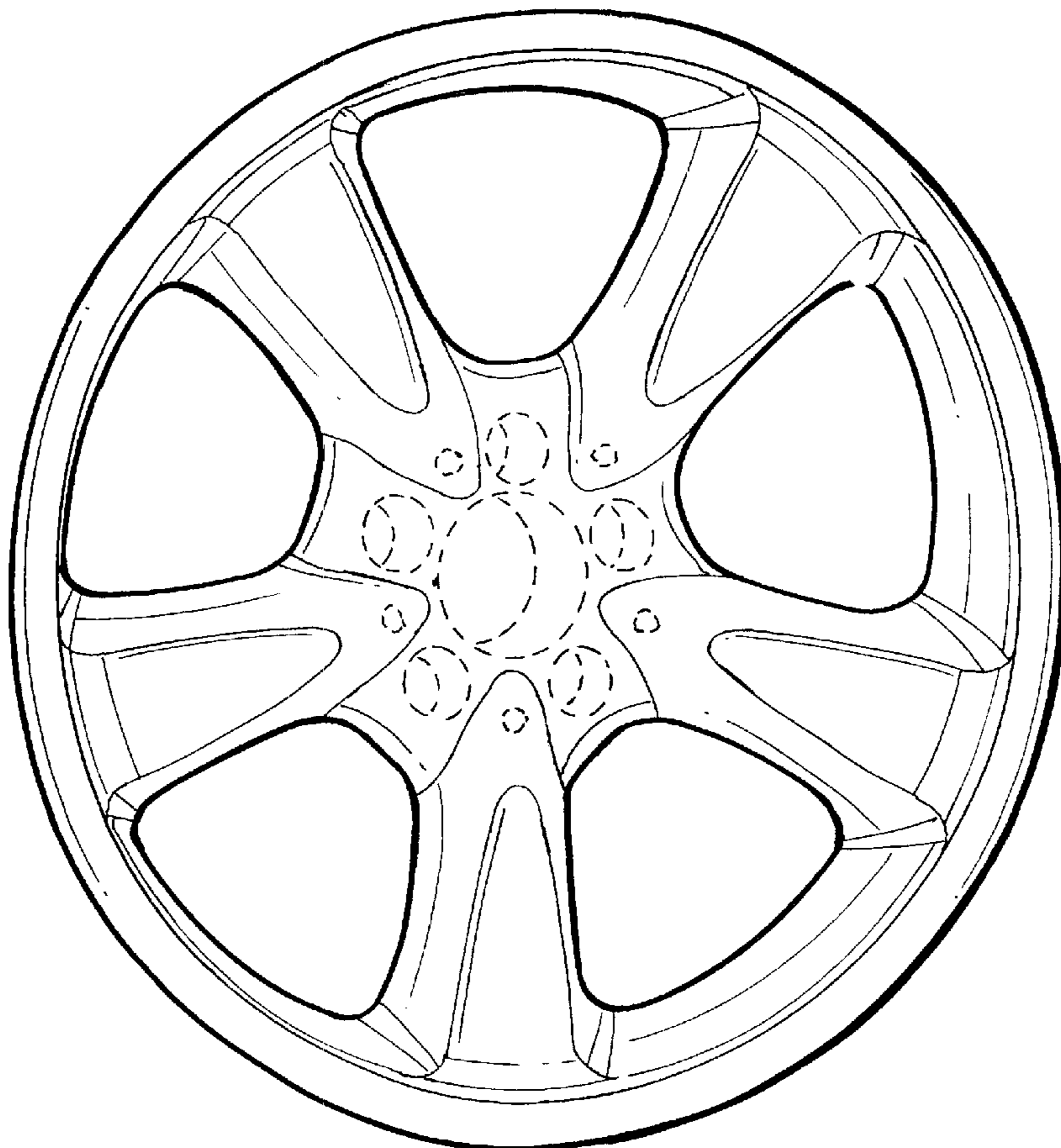
(57) **CLAIM**

The ornamental design for a front face of a vehicle wheel, as shown and described.

DESCRIPTION

FIG. 1 is a front view of a front face of a vehicle wheel according to our novel design; and, FIG. 2 is a perspective view of the front face of a vehicle wheel according to our novel design. The dash lines included depict environment and are not part of the claimed design.

1 Claim, 1 Drawing Sheet



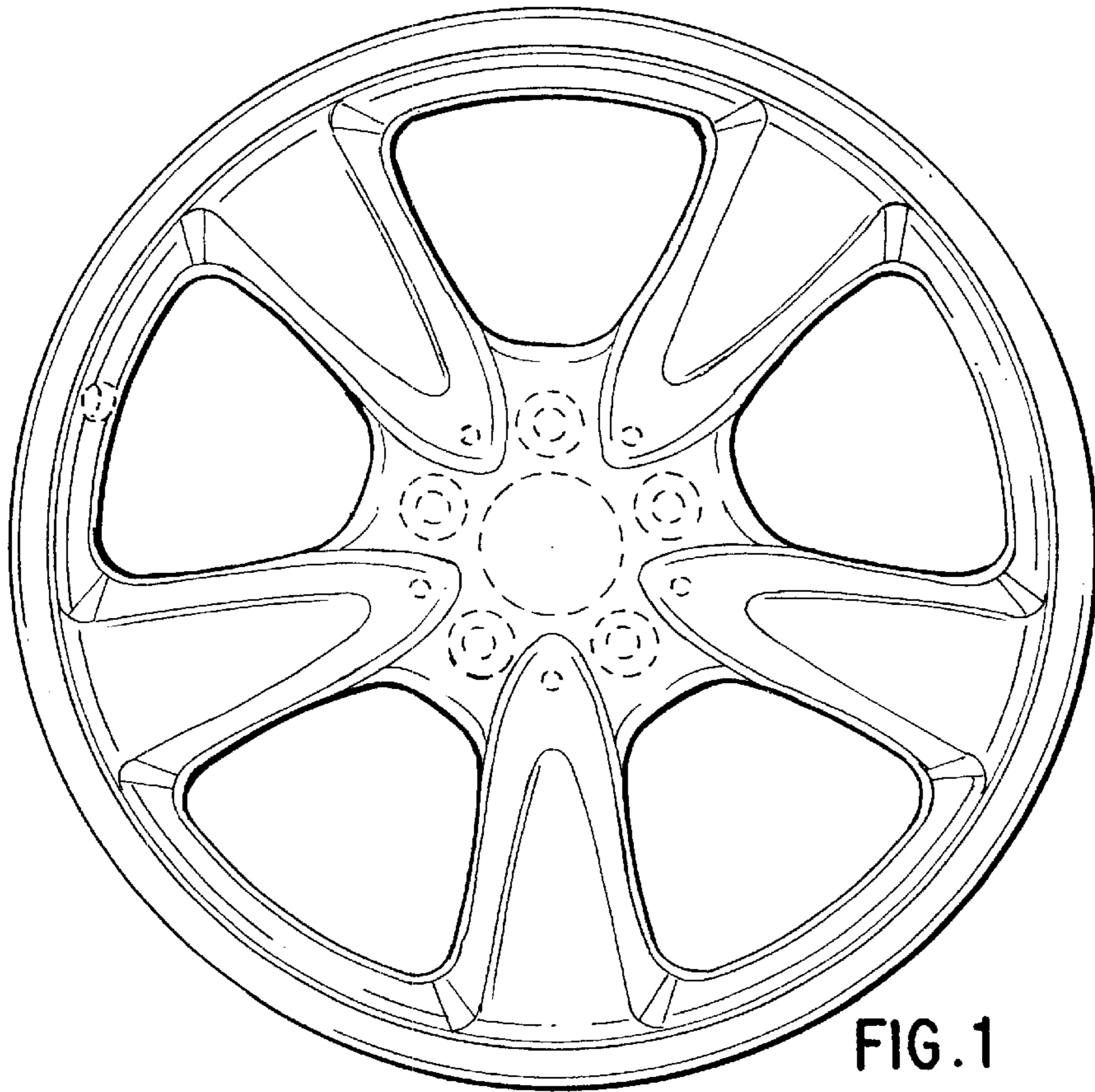


FIG. 1

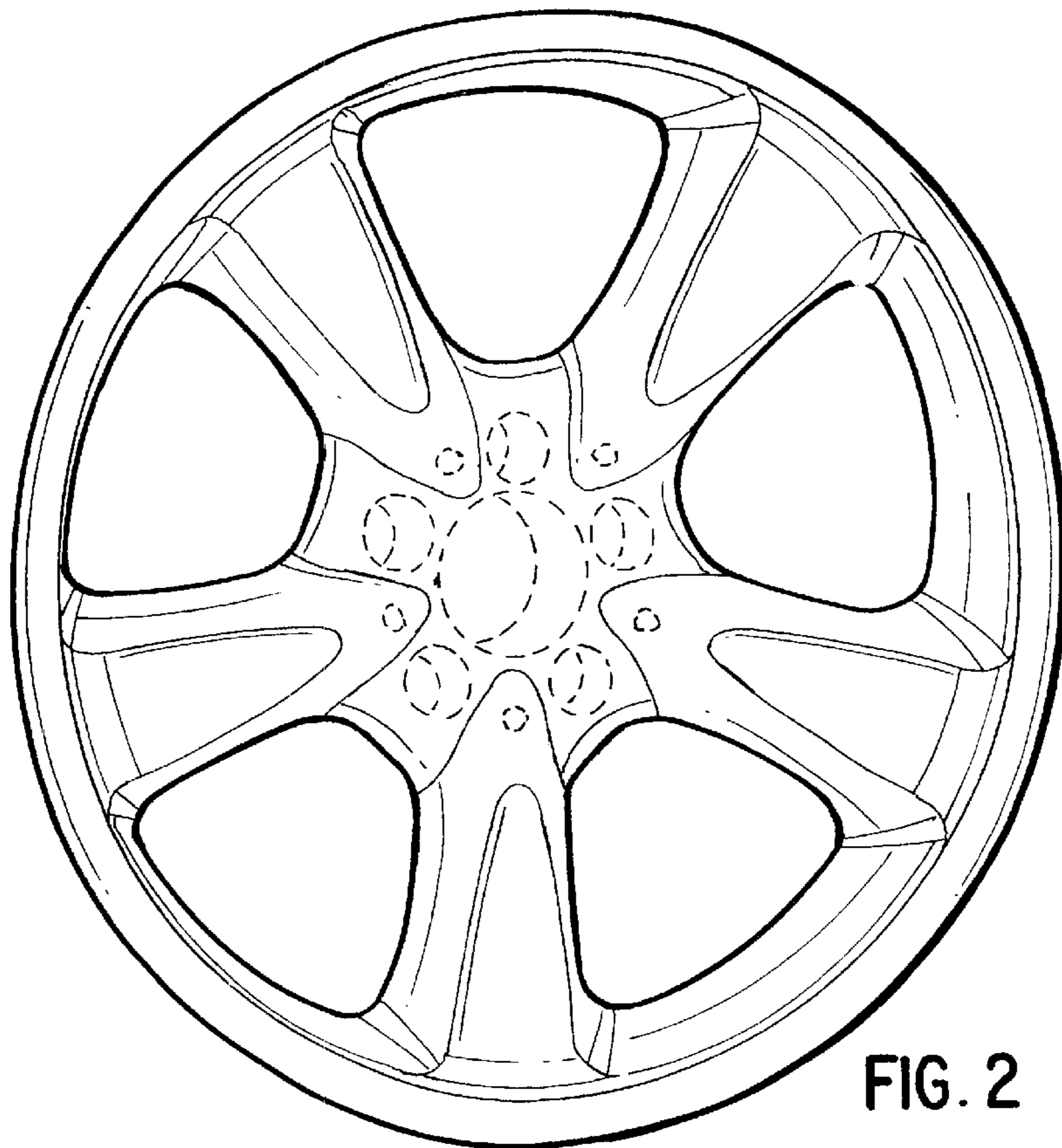


FIG. 2