



US00D480671S

(12) **United States Design Patent**
Pfeiffer et al.

(10) **Patent No.:** **US D480,671 S**

(45) **Date of Patent:** **** Oct. 14, 2003**

(54) **SURFACE CONFIGURATION OF A DASHBOARD FOR A VEHICLE**

(75) Inventors: **Peter Pfeiffer**, Boeblingen (DE); **Murat Guenak**, Ehningen (DE); **Stephen Mattin**, Sindelfingen (DE); **Christopher Benjamin**, Newport Beach, CA (US)

(73) Assignee: **DaimlerChrysler AG**, Stuttgart (DE)

(**) Term: **14 Years**

(21) Appl. No.: **29/162,833**

(22) Filed: **Jun. 24, 2002**

(30) **Foreign Application Priority Data**

Dec. 24, 2001 (DE) 4 01 11 152

(51) **LOC (7) Cl.** **12-16**

(52) **U.S. Cl.** **D12/192**

(58) **Field of Search** D12/192, 400,
D12/415; 180/90; 280/750-752; 296/70,
190-191

(56) **References Cited**

U.S. PATENT DOCUMENTS

- D369,999 S * 5/1996 Sacco et al. D12/192
- D378,910 S * 4/1997 Black et al. D12/192
- D403,641 S * 1/1999 Sacco et al. D12/192
- D405,408 S * 2/1999 Yoshida D12/192
- D423,435 S * 4/2000 Sato D12/192
- D431,220 S * 9/2000 Wyszogrod et al. D12/192
- D440,926 S * 4/2001 Pfeiffer D12/192

- D456,755 S * 5/2002 Boulay et al. D12/192
- D464,008 S * 10/2002 Siegert et al. D12/192
- D469,391 S * 1/2003 Pfeiffer D12/192
- D470,807 S * 2/2003 Wyszogrod et al. D12/192
- D470,809 S * 2/2003 Asahi et al. D12/192

* cited by examiner

Primary Examiner—Stacia Cadmus

(74) *Attorney, Agent, or Firm*—Crowell & Moring LLP

(57) **CLAIM**

The ornamental design for a surface configuration of a dashboard for a vehicle, as shown and described.

DESCRIPTION

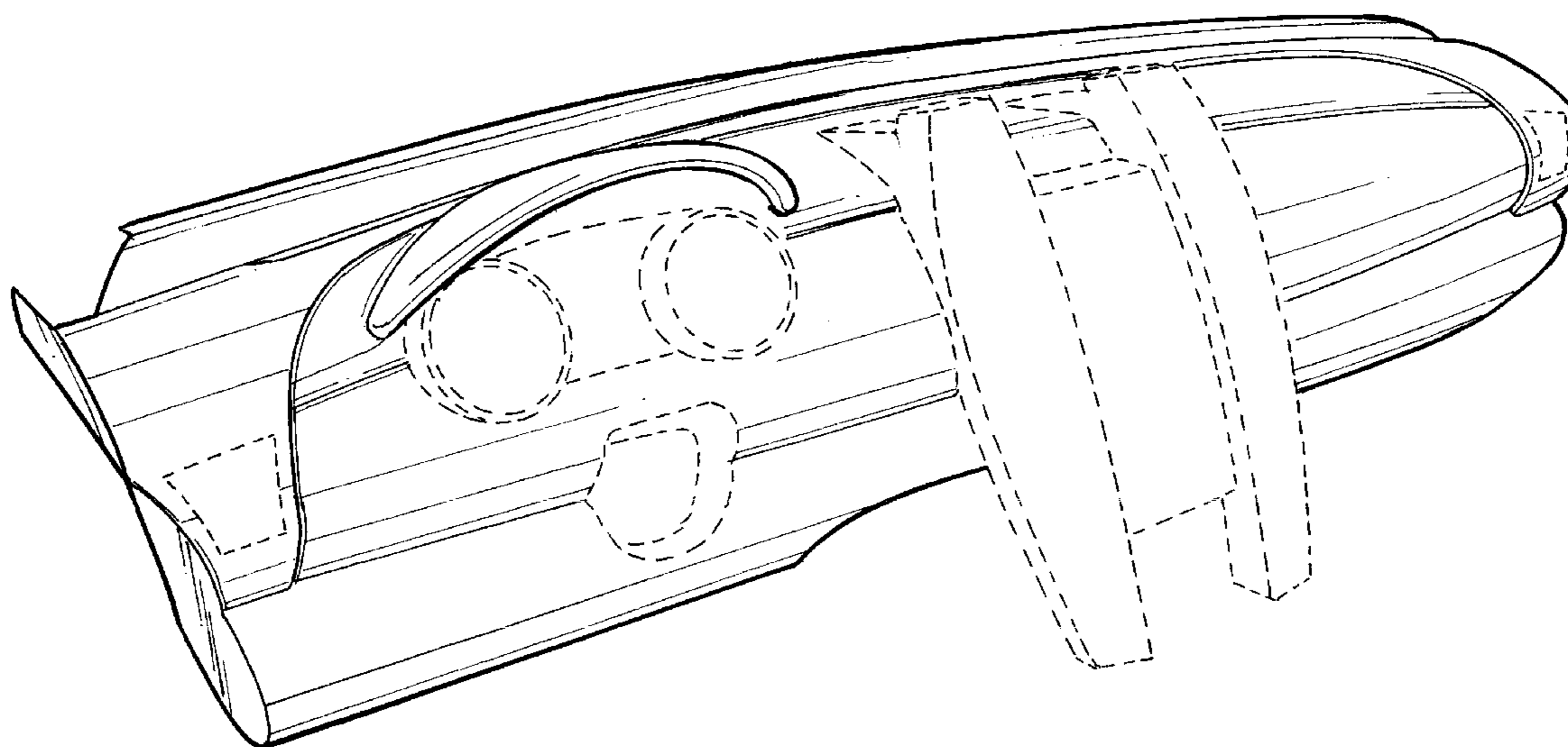
This application is related to the following co-pending applications, of the inventors, filed on even date herewith: Application Ser. No. 29/162,831, entitled “Surface Configuration of a Center Console for a Vehicle”; Application Ser. No. 29/162,832, entitled “Surface Configuration of a Center Console for a Vehicle”; and Application Ser. No. 29/162,714, entitled “Surface Configuration of a Center Console for a Vehicle”.

FIG. 1 is a left perspective view of a surface configuration of a dashboard for a vehicle according to our novel design; FIG. 2 is a right perspective view of the surface configuration of a dashboard for a vehicle according to our novel design; and,

FIG. 3 is a front view of the surface configuration of a dashboard for a vehicle according to our novel design.

The dash lines included depict environment and are not part of the claimed design.

1 Claim, 3 Drawing Sheets



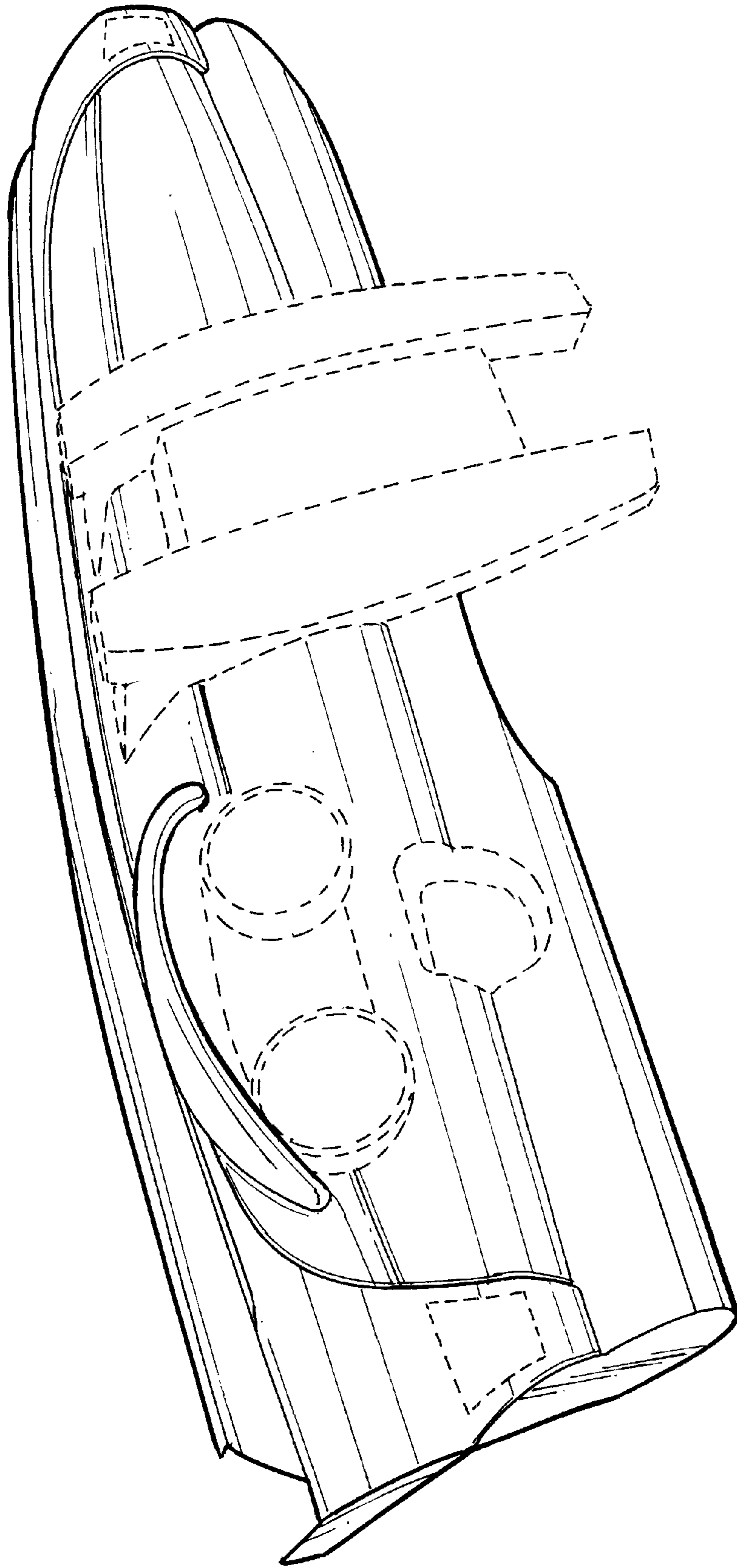


FIG. 1

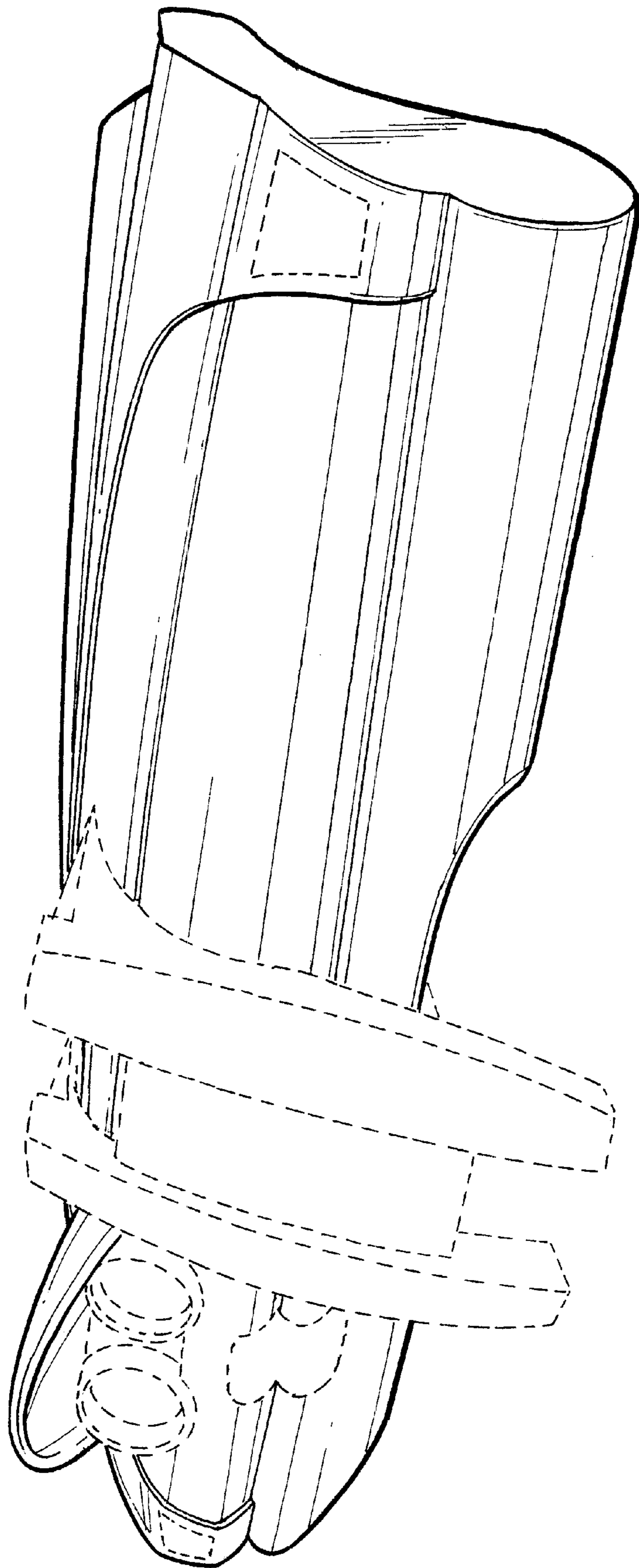


FIG. 2

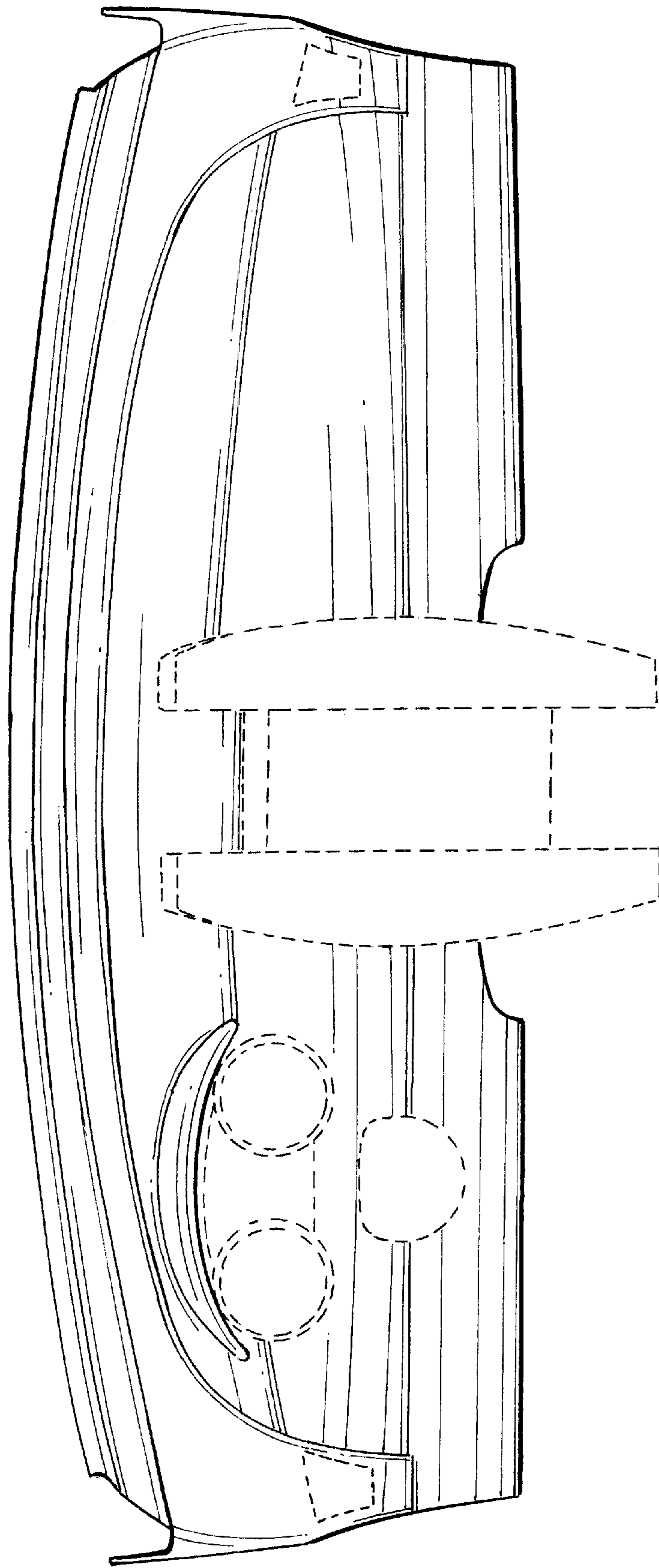


FIG. 3