



US00D480666S

(12) **United States Design Patent**
Owens

(10) **Patent No.:** **US D480,666 S**

(45) **Date of Patent:** **** Oct. 14, 2003**

(54) **ROLLATOR**

(75) Inventor: **John Owens**, Sheffield, OH (US)

(73) Assignee: **Invacare Corporation**, Elyria, OH (US)

(**) Term: **14 Years**

(21) Appl. No.: **29/169,007**

(22) Filed: **Oct. 11, 2002**

Related U.S. Application Data

(63) Continuation-in-part of application No. 09/977,122, filed on Oct. 12, 2001.

(51) **LOC (7) Cl.** **12-12**

(52) **U.S. Cl.** **D12/130**

(58) **Field of Search** D12/128-133;
135/65, 67, 74, 85; 280/87.05; 297/5, 6

(56) **References Cited**

U.S. PATENT DOCUMENTS

2,685,325 A	8/1954	Webster
2,796,533 A	7/1957	Frank
2,866,495 A	12/1958	Diehl et al.
3,354,893 A	11/1967	Schmerl
4,461,471 A	7/1984	Brastow
4,518,002 A	5/1985	Battiston, Sr. et al.
4,640,301 A	2/1987	Battiston, Sr. et al.
4,643,211 A	2/1987	Morris et al.
4,907,794 A	3/1990	Rose
D310,646 S	9/1990	Rose
5,020,560 A	6/1991	Turbeville
5,172,715 A	12/1992	Webb
5,201,333 A	4/1993	Shalmon et al.
5,224,717 A	7/1993	Lowen
5,224,721 A	7/1993	Santmann
5,275,187 A	1/1994	Davis
D344,917 S	3/1994	Kjell et al.
5,353,824 A	10/1994	Woods et al.
5,409,028 A	4/1995	Lee
5,419,571 A	5/1995	Vaughan
5,433,235 A	7/1995	Miric et al.
5,529,425 A	6/1996	Spies et al.

5,558,358 A	9/1996	Johnson
5,560,636 A	10/1996	Chen
D375,708 S	* 11/1996	Ahlbertz D12/130
5,579,793 A	12/1996	Gajewski et al.
5,603,517 A	2/1997	Lorman

(List continued on next page.)

Primary Examiner—Marcus A. Jackson
(74) *Attorney, Agent, or Firm*—Calfee, Halter & Griswold LLP

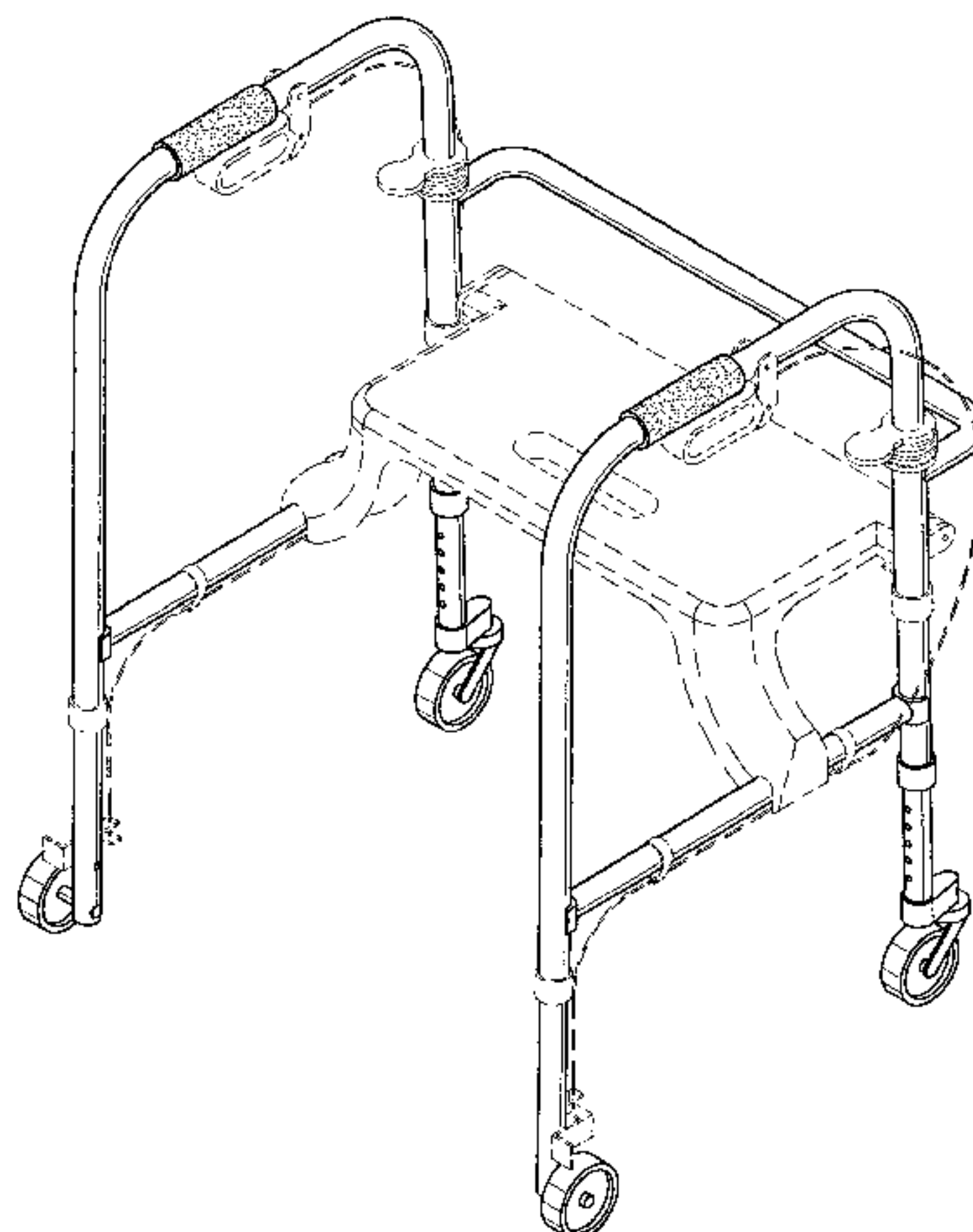
(57) **CLAIM**

The ornamental design for a rollator, as shown and described.

DESCRIPTION

FIG. 1 is a perspective view of a rollator showing the new design;
 FIG. 2 is a left side view of the rollator of FIG. 1;
 FIG. 3 is a front view of rollator of FIG. 1;
 FIG. 4 is a right side view of the rollator of FIG. 1;
 FIG. 5 is a back view of the rollator of FIG. 1;
 FIG. 6 is a top view of the seat of FIG. 1;
 FIG. 7 is a bottom view of the seat of FIG. 1;
 FIG. 8 is a perspective view of the seat of FIG. 1;
 FIG. 9 is a perspective view of a second embodiment of the seat of the new design;
 FIG. 10 is a left side view of the seat of FIG. 9;
 FIG. 11 is a back view of view of FIG. 9;
 FIG. 12 is a right side view of the seat of FIG. 9;
 FIG. 13 is a front view of the seat of FIG. 9;
 FIG. 14 is a top view of the seat of FIG. 9;
 FIG. 15 is a bottom view of the seat of FIG. 9;
 FIG. 16 is a perspective view of the seat of FIG. 9;
 FIG. 17 is a perspective view of a third embodiment of the seat of the new design;
 FIG. 18 is a left side view of the seat of FIG. 17;
 FIG. 19 is a back view of seat of FIG. 17;
 FIG. 20 is a right side view of the seat of FIG. 17;
 FIG. 21 is a front view of the seat of FIG. 17;
 FIG. 22 is a top view of the seat of FIG. 17;
 FIG. 23 is a bottom view of the seat of FIG. 17; and,
 FIG. 24 is a perspective view of the seat of FIG. 17.

1 Claim, 15 Drawing Sheets



US D480,666 S

Page 2

U.S. PATENT DOCUMENTS									
D395,853	S	*	7/1998	Luo	D12/130	6,338,493	B1	1/2002	Wohlgemuth et al.
5,882,067	A		3/1999	Carbajal et al.		6,345,835	B1	2/2002	Watkins
5,904,168	A		5/1999	Alulyan		6,371,142	B1	4/2002	Battiston
5,979,476	A		11/1999	Cranny		6,378,883	B1	4/2002	Epstein
6,099,002	A		8/2000	Uchiyama		6,481,730	B2	11/2002	Sung
D448,706	S	*	10/2001	Ferm	D12/130	6,494,469	B1	12/2002	Hara et al.
									* cited by examiner

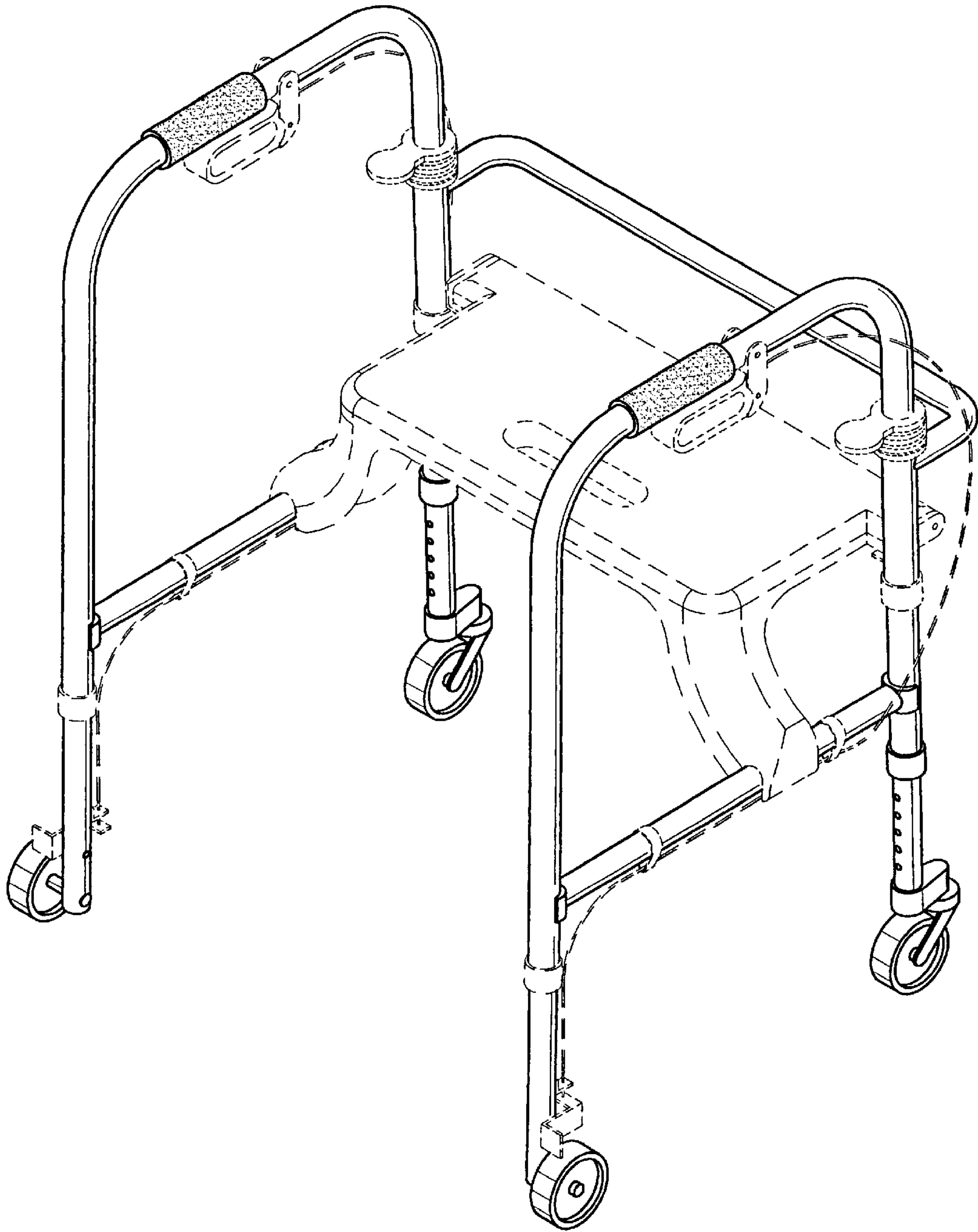


FIG. 1

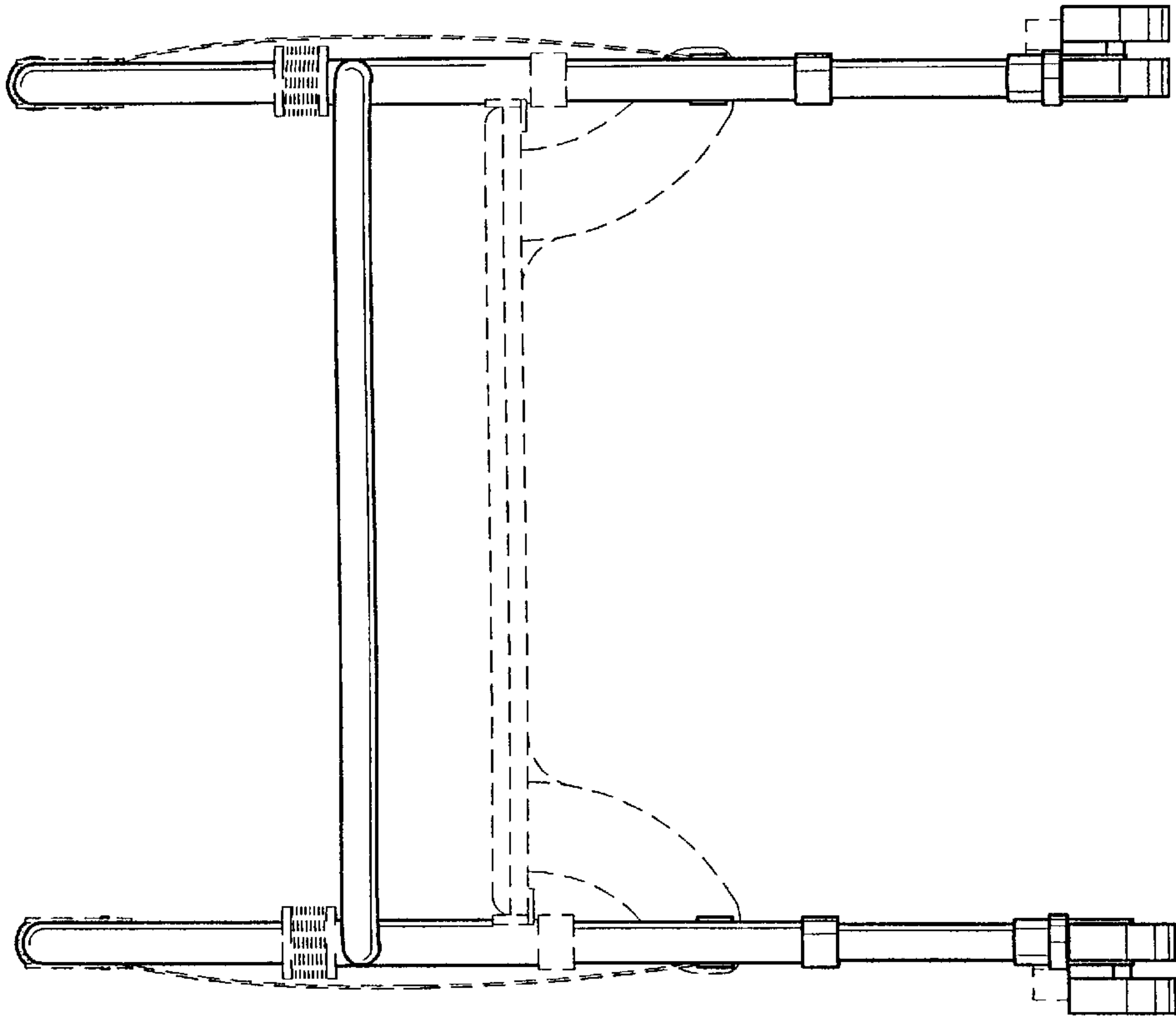


FIG. 3

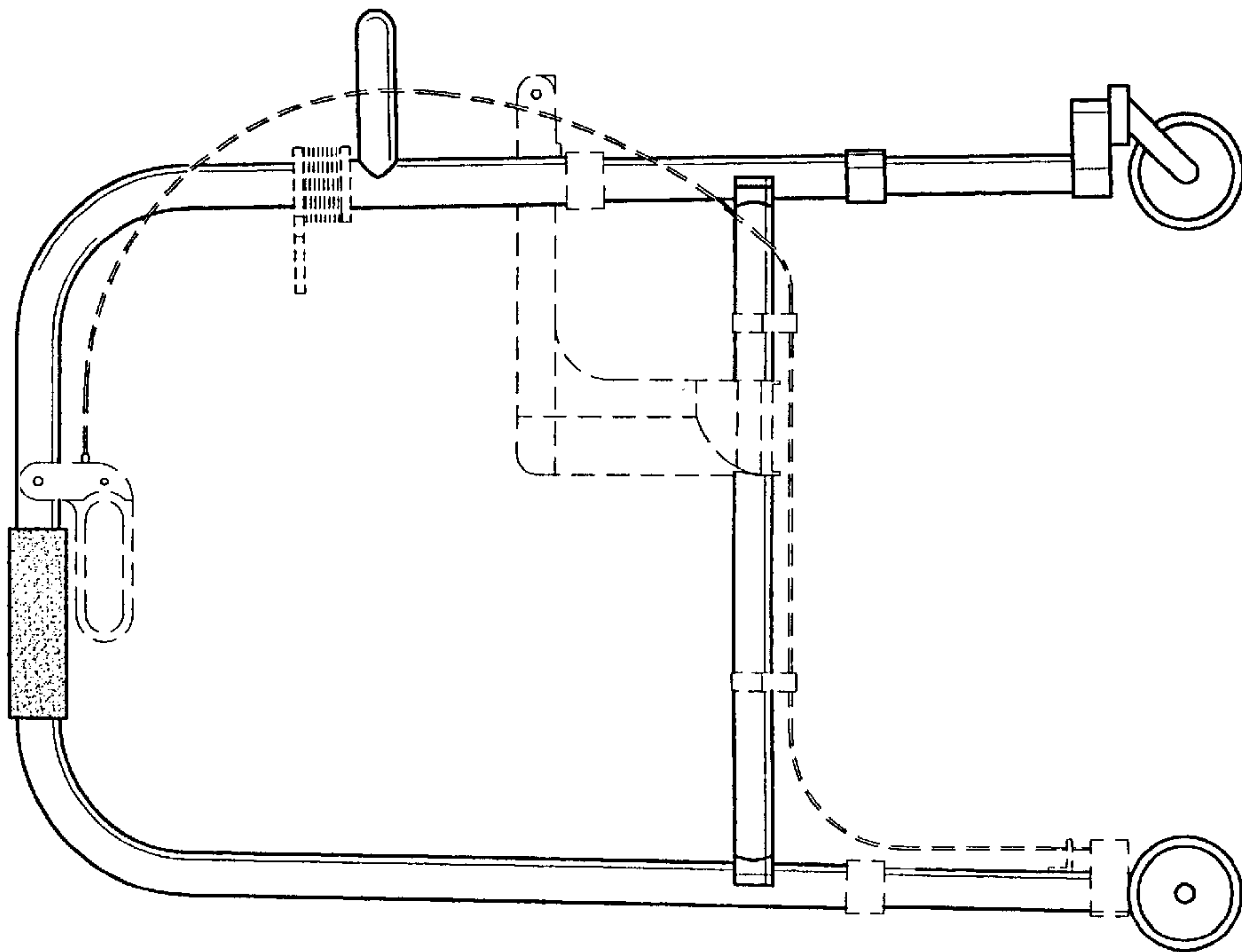


FIG. 2

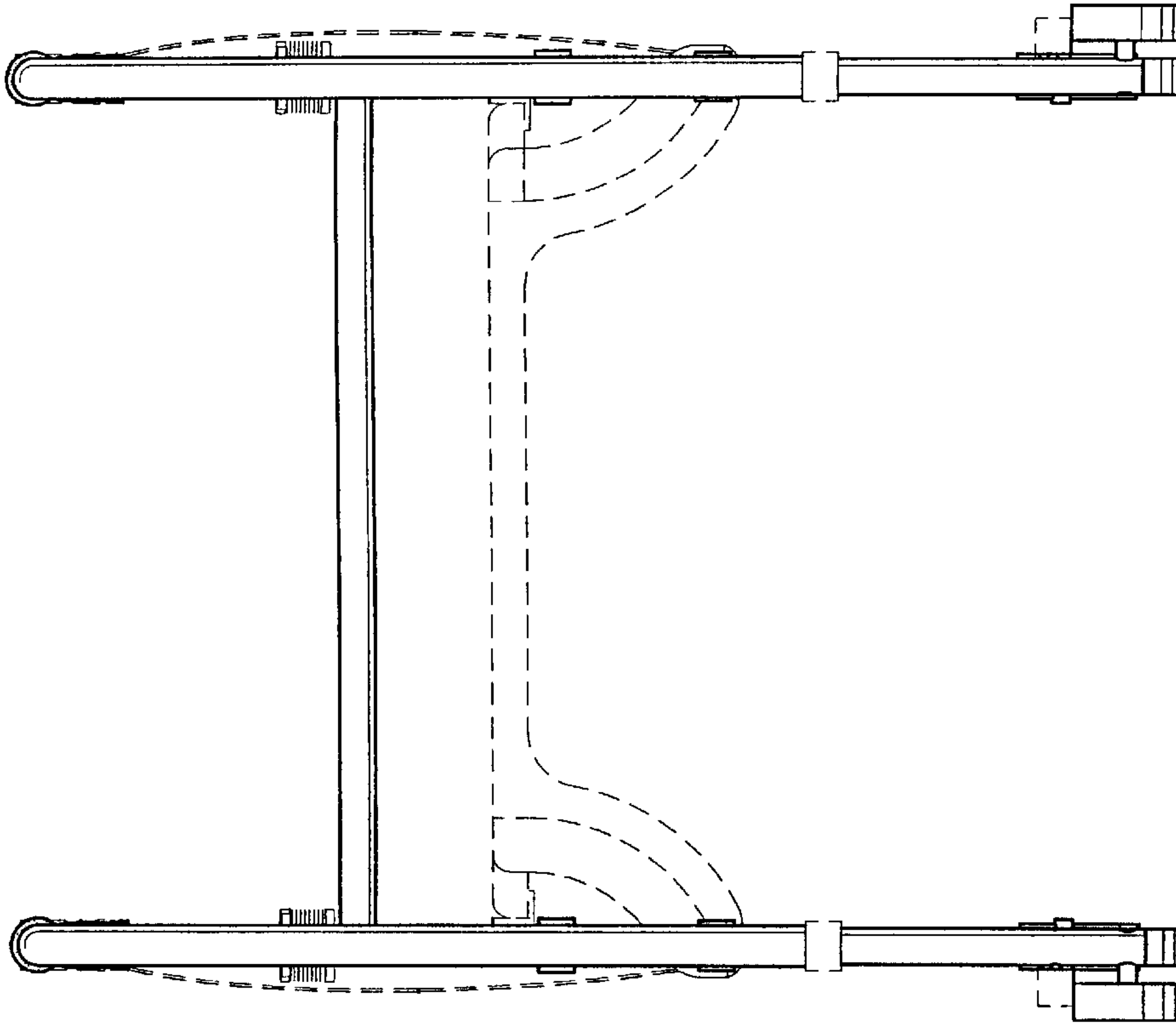


FIG. 5

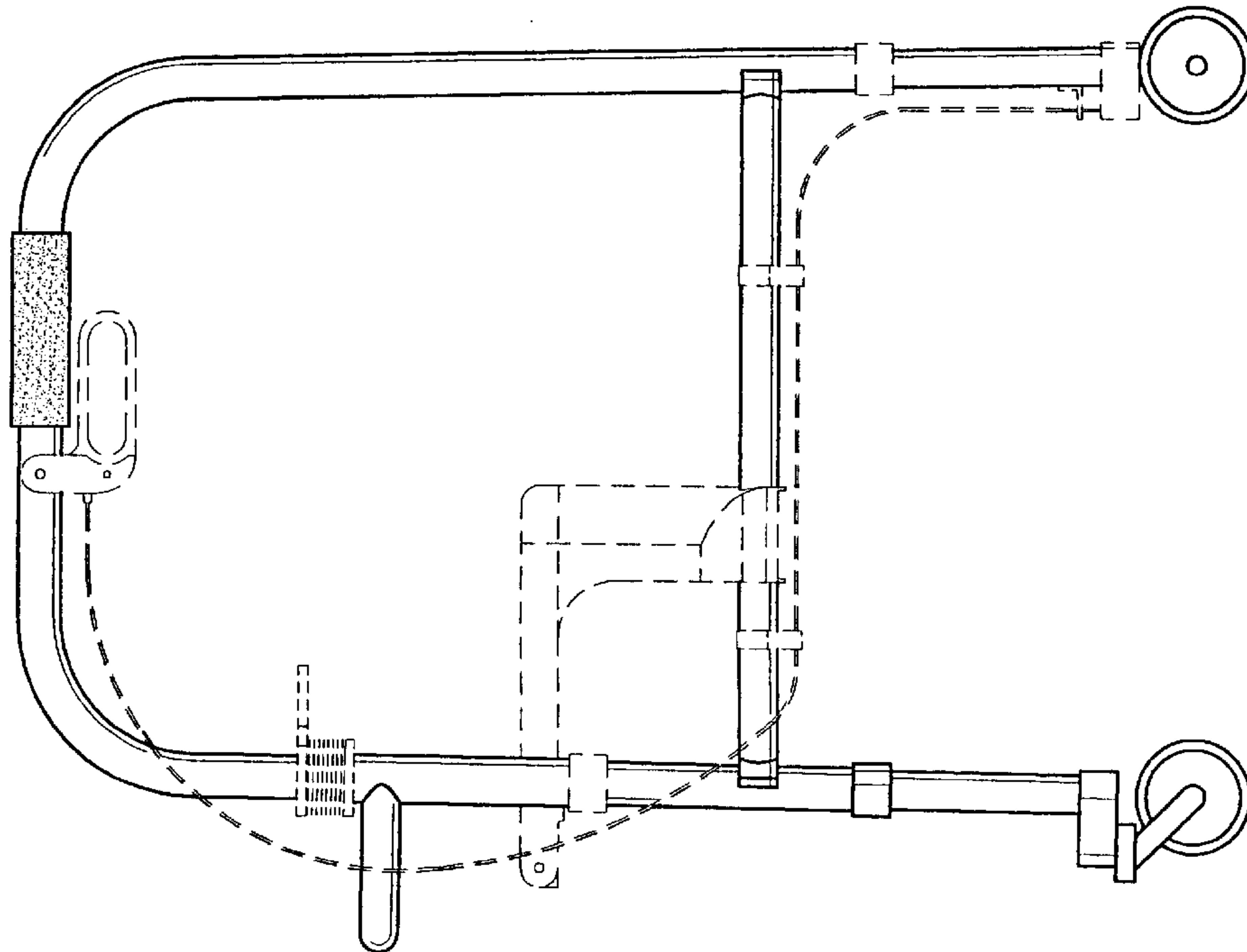


FIG. 4

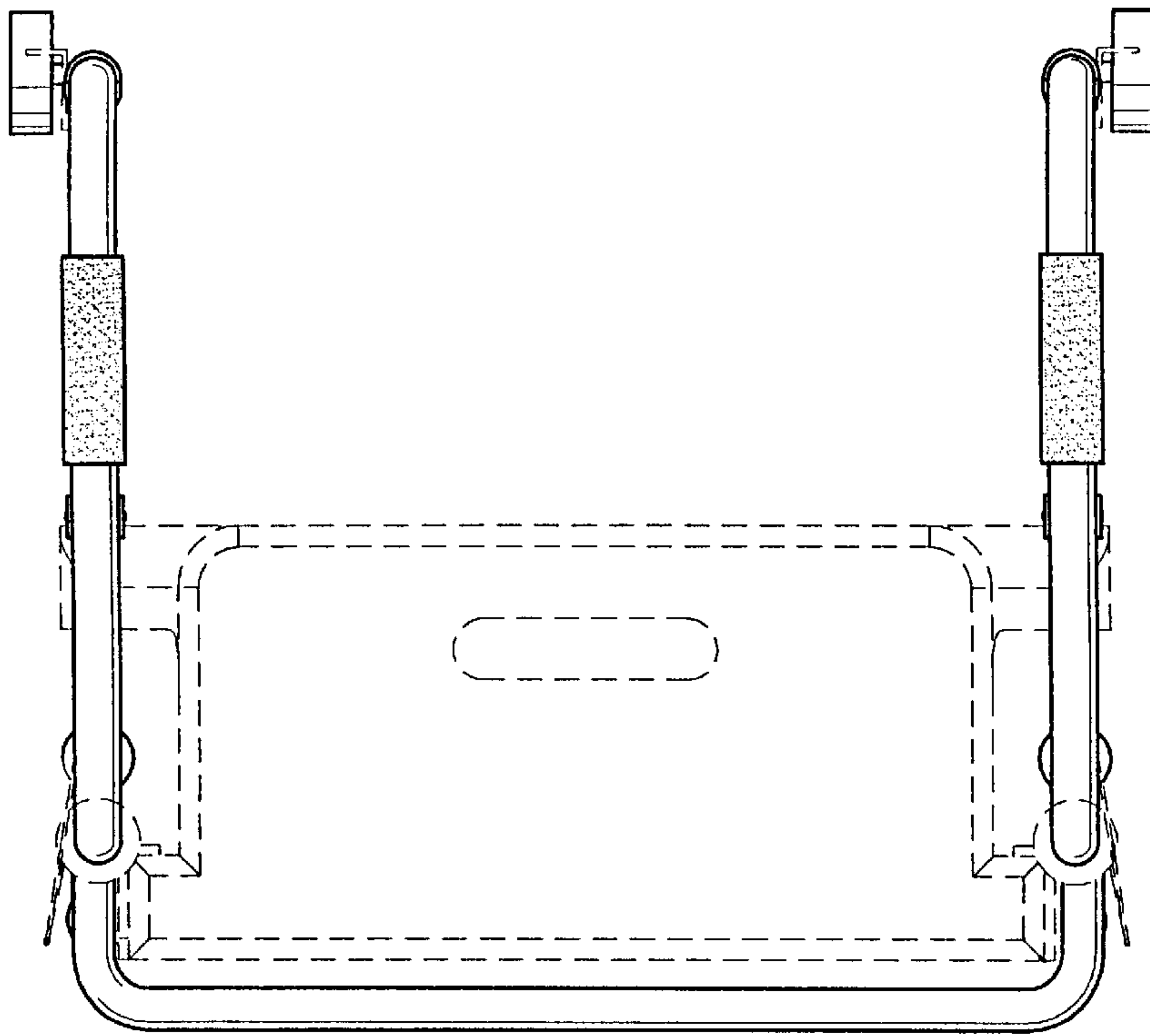


FIG. 6

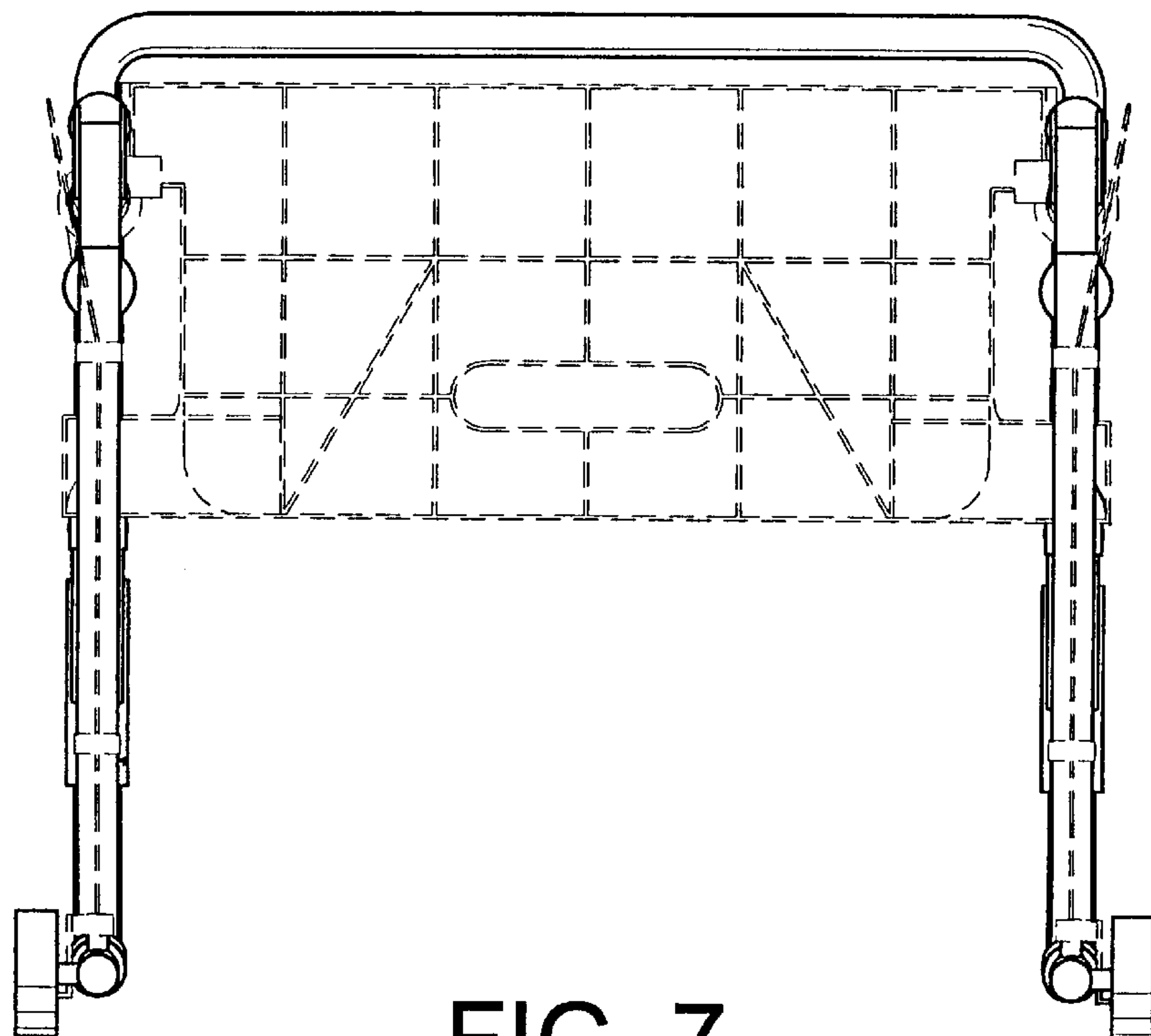


FIG. 7

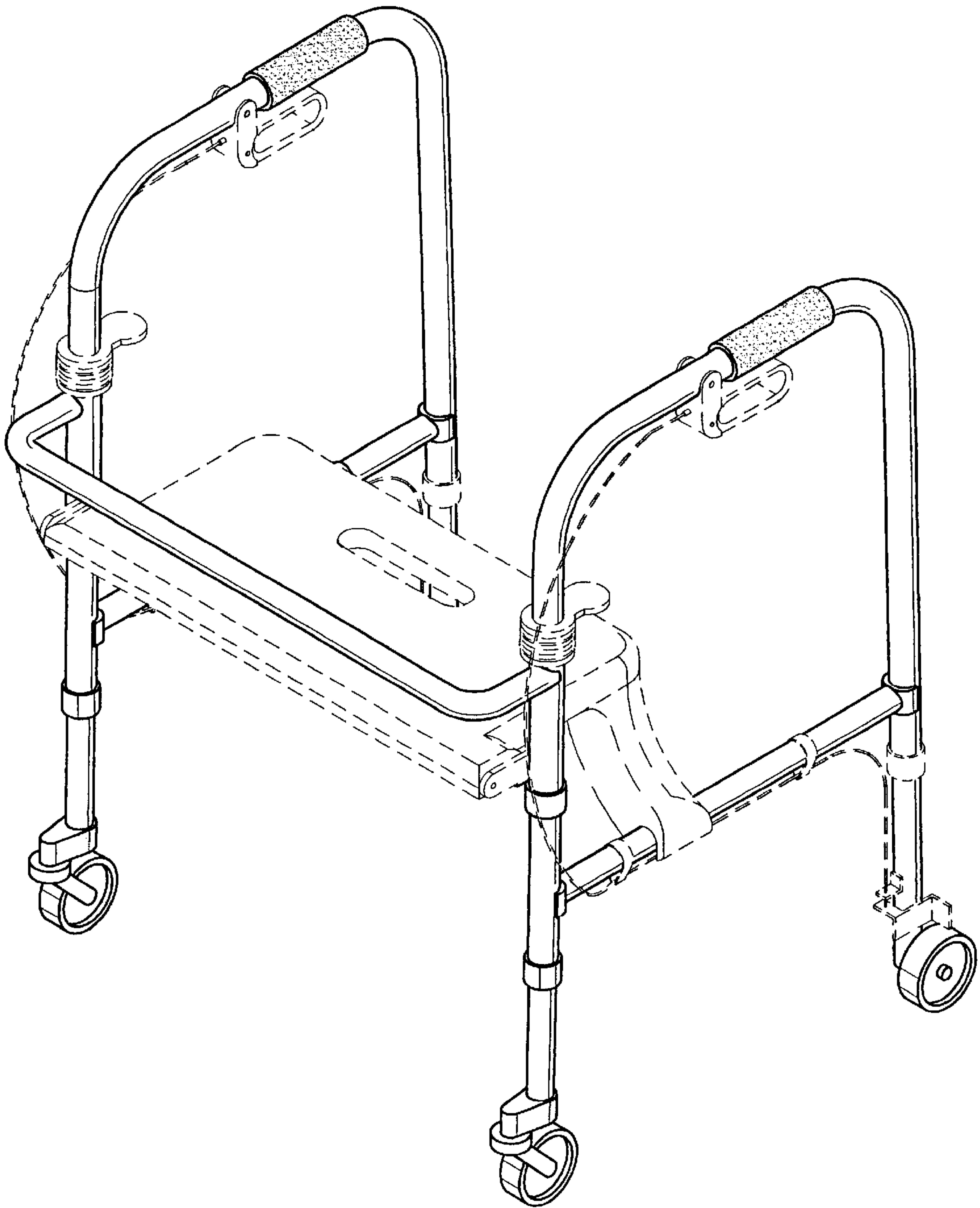


FIG. 8

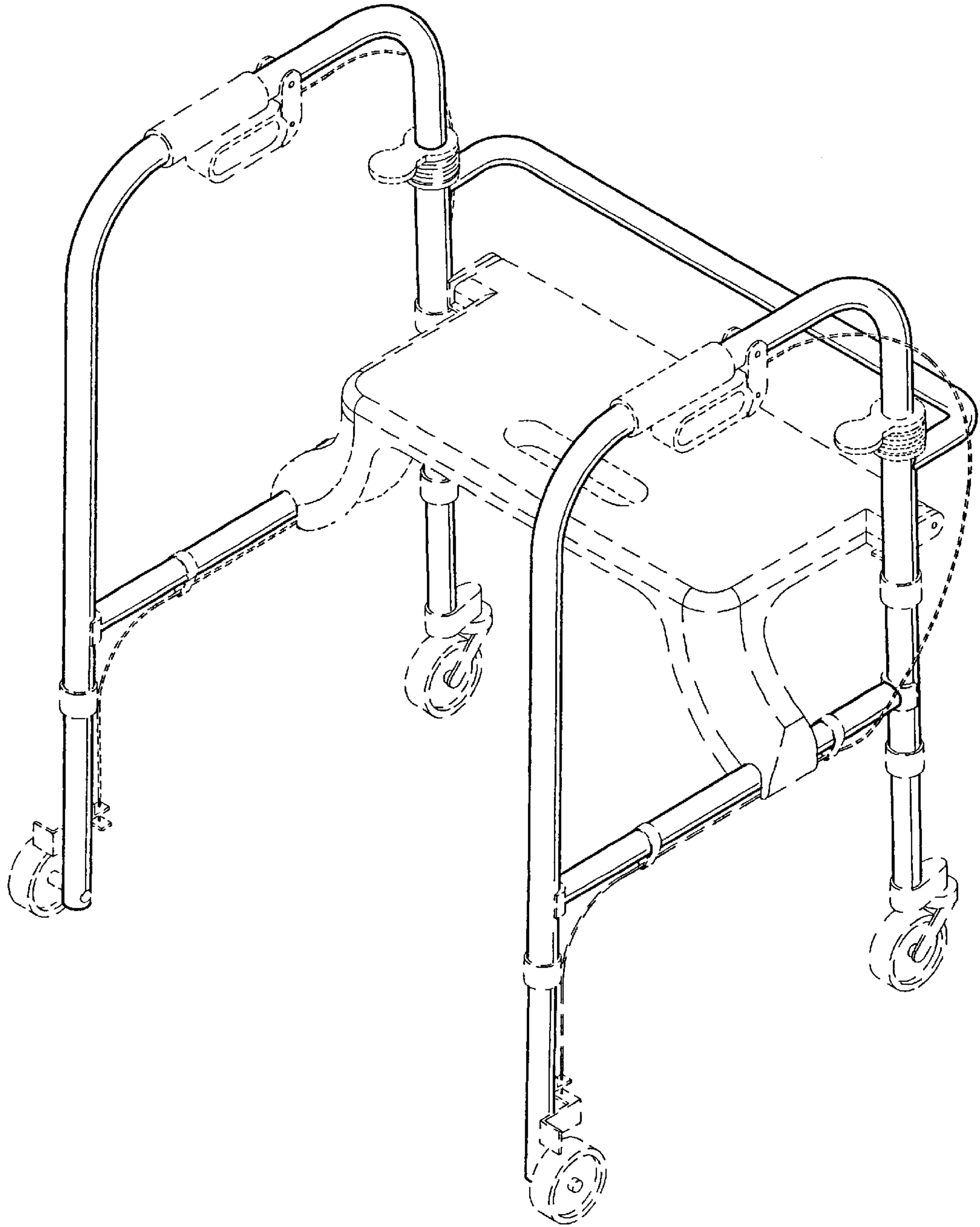


FIG. 9

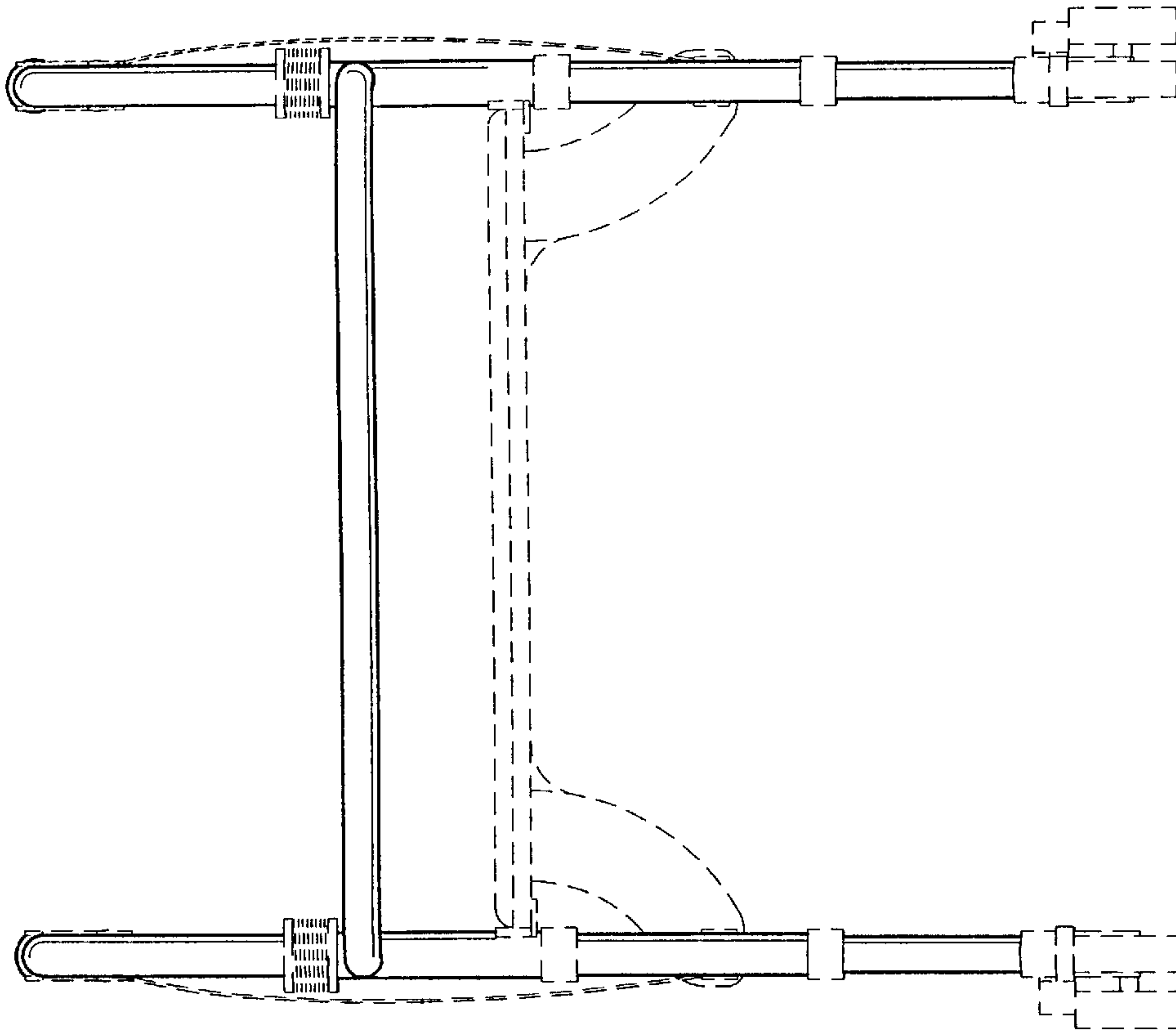


FIG. 11

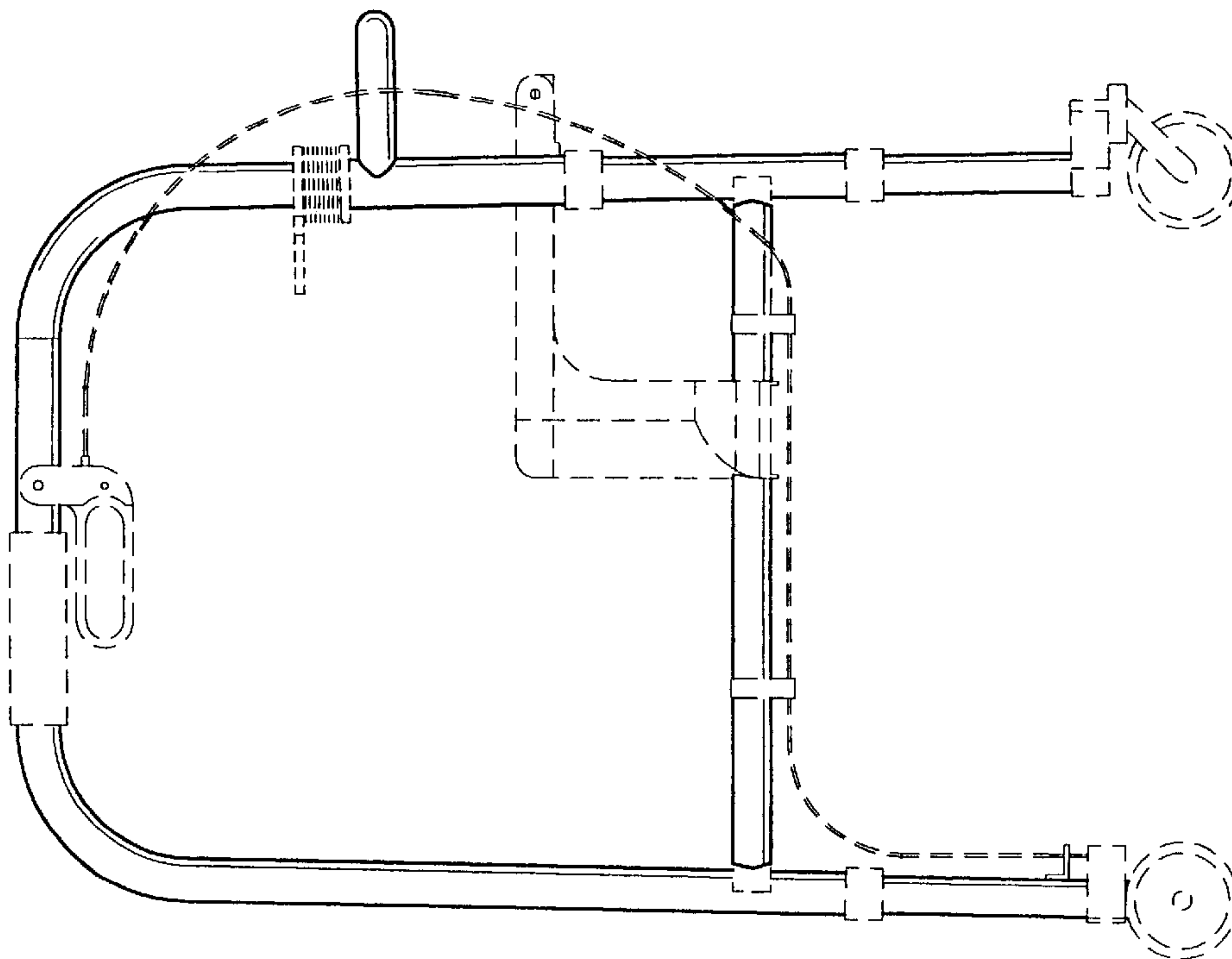


FIG. 10

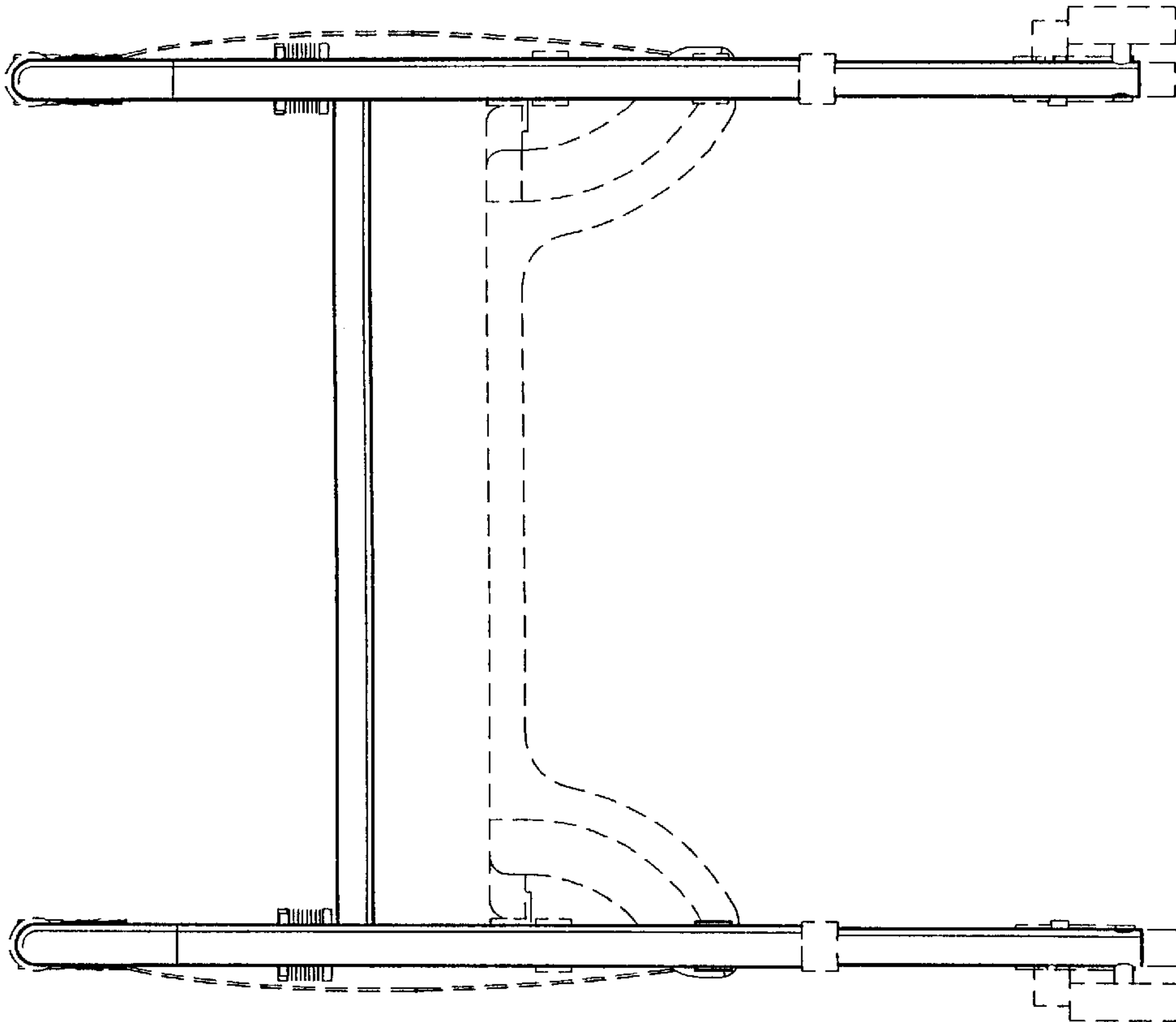


FIG. 13

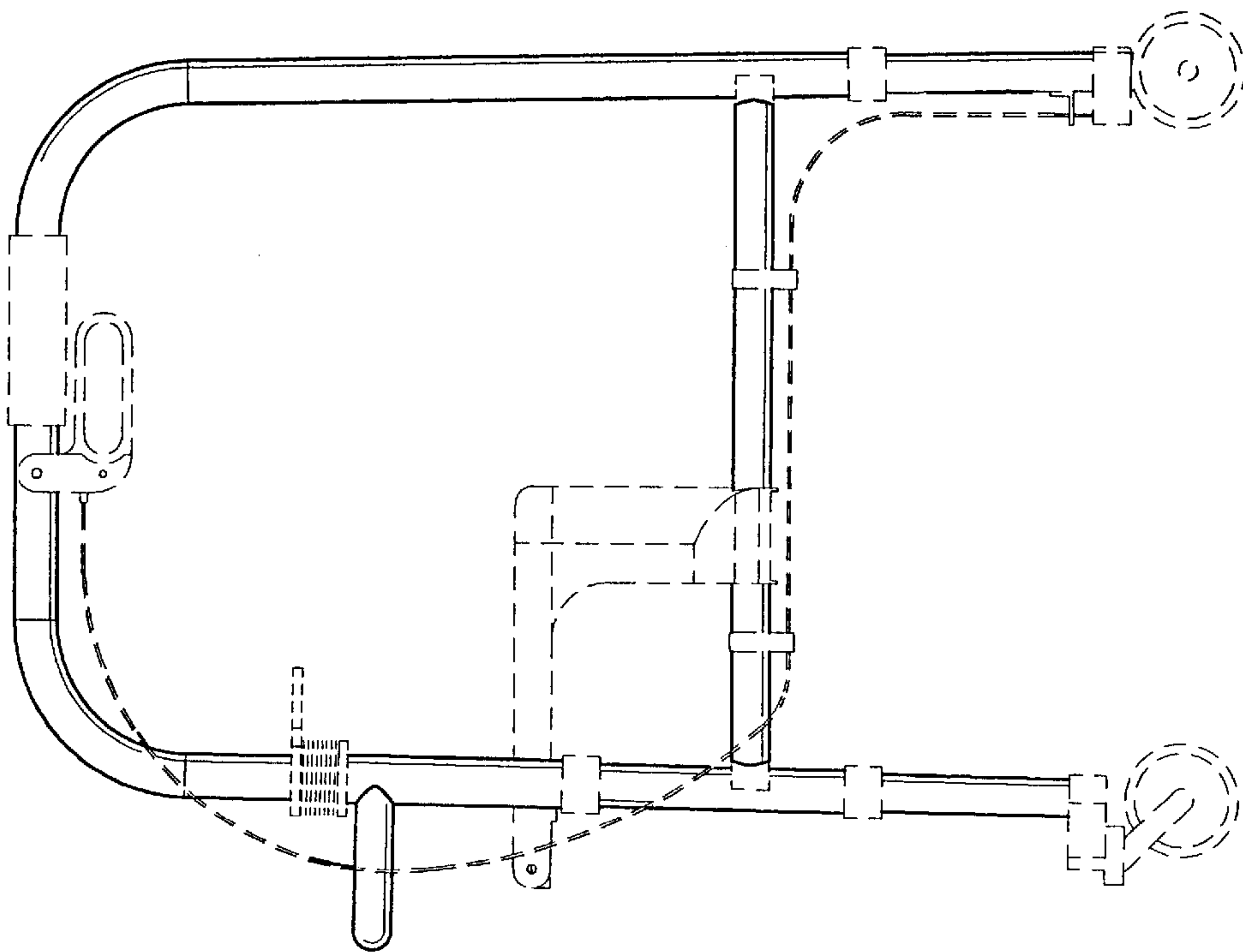


FIG. 12

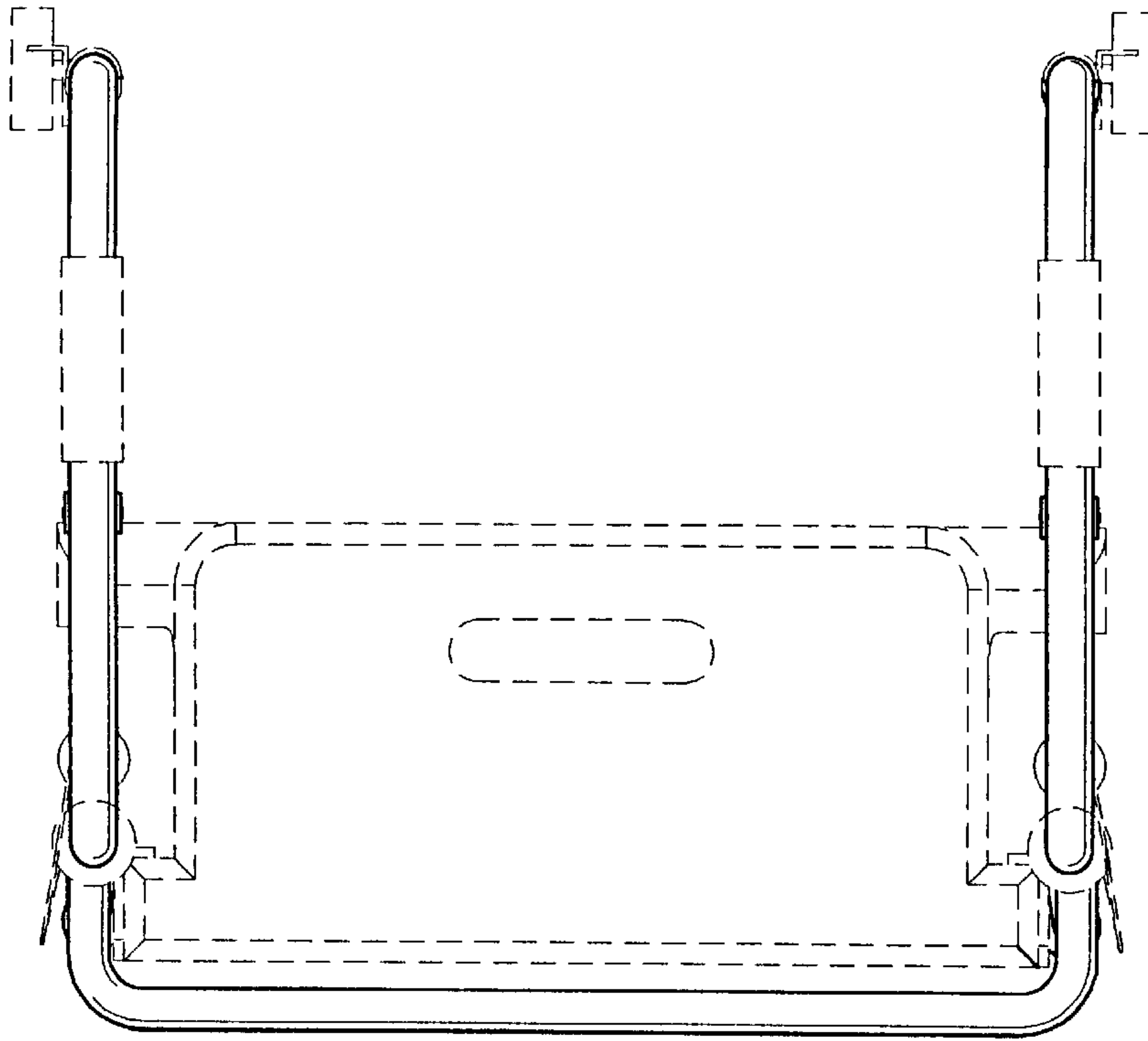


FIG. 14

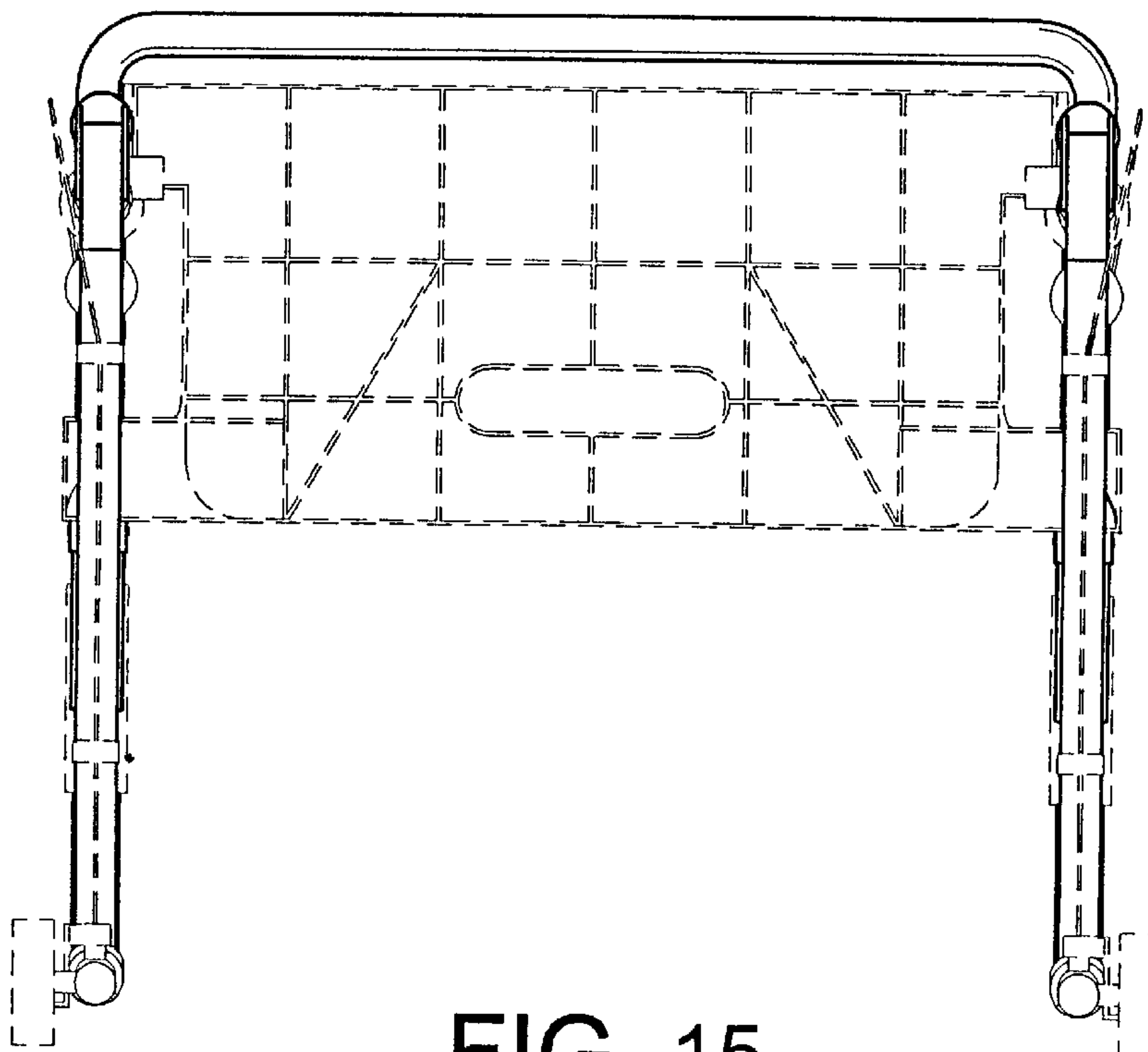


FIG. 15

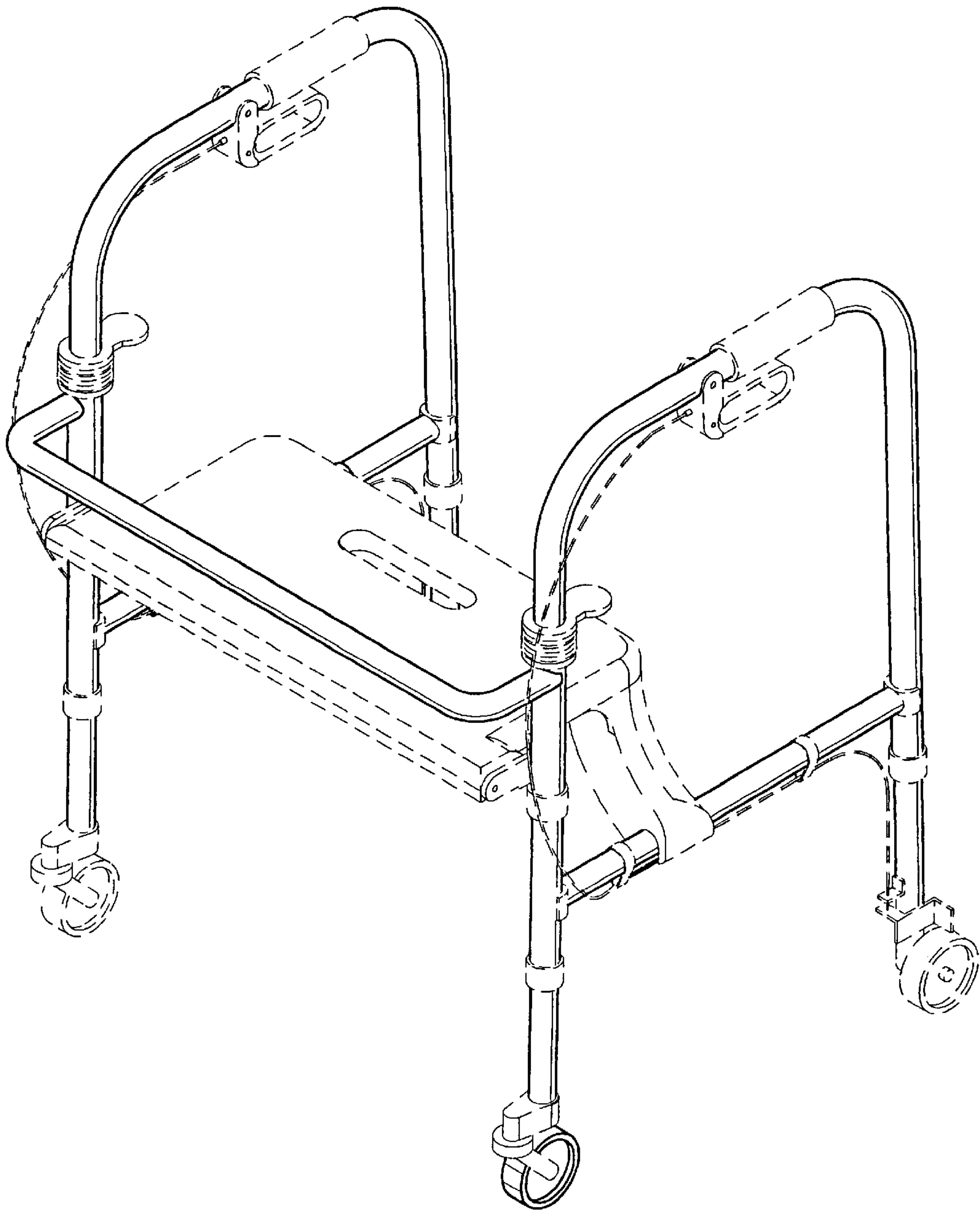


FIG. 16

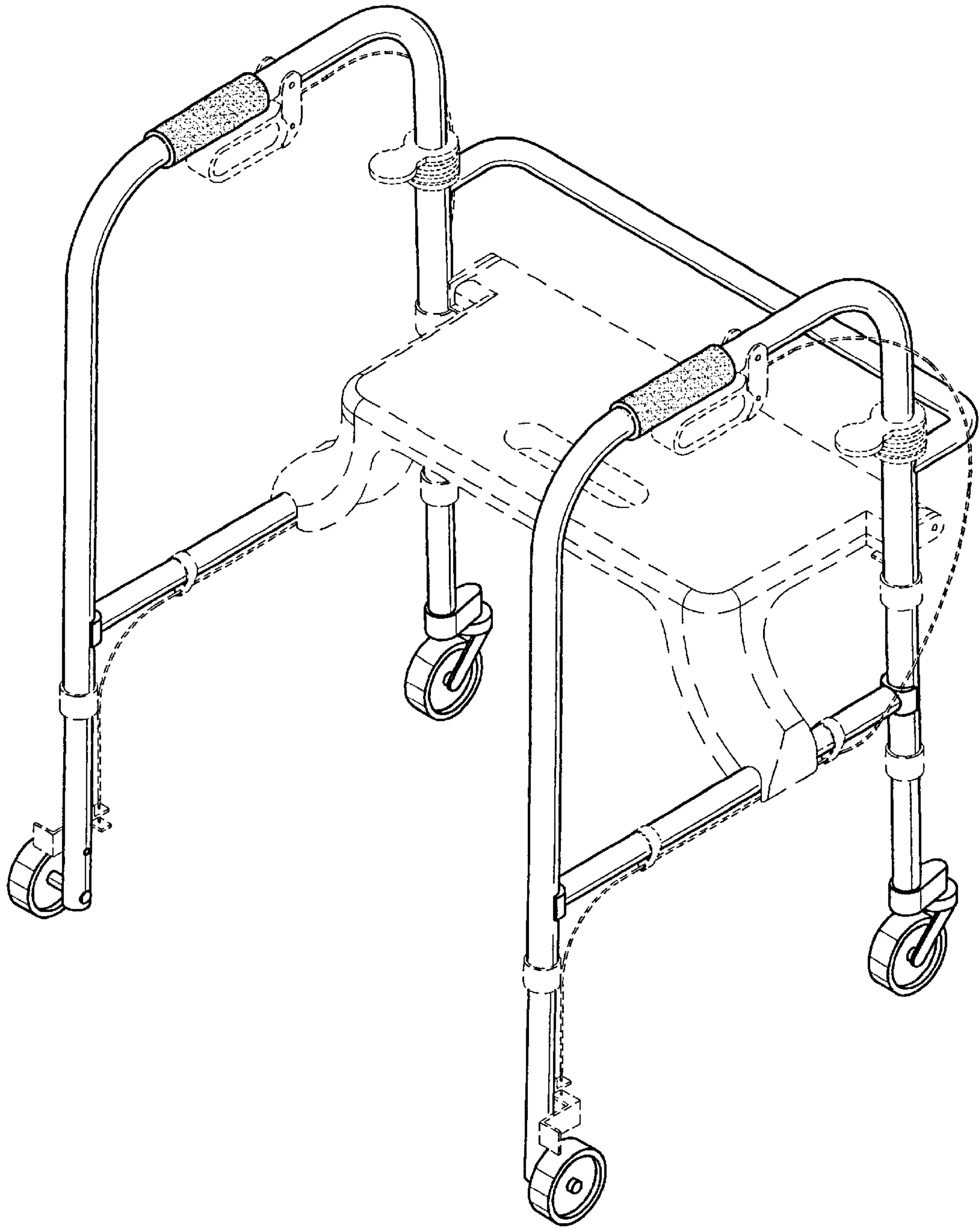


FIG. 17

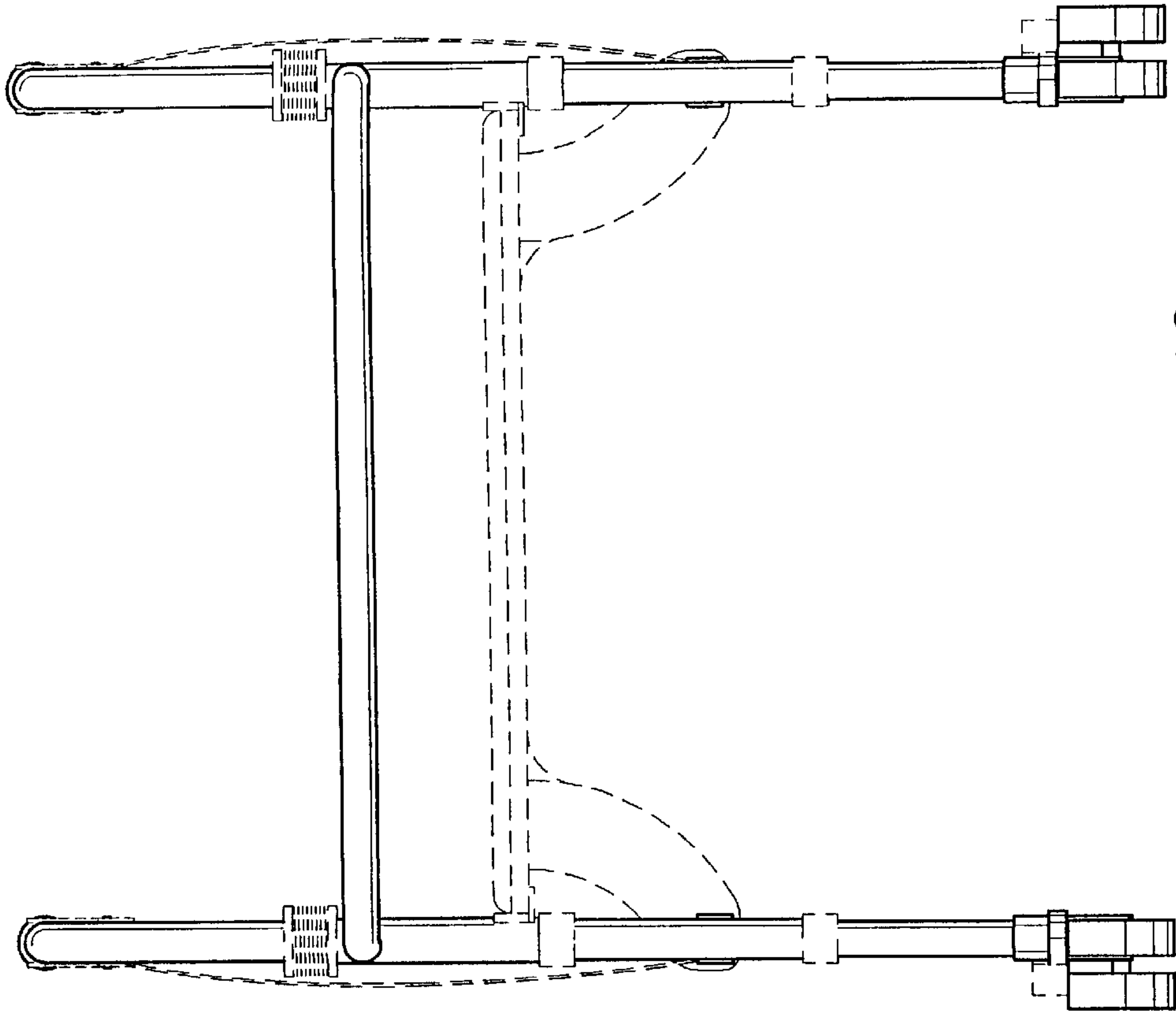


FIG. 19

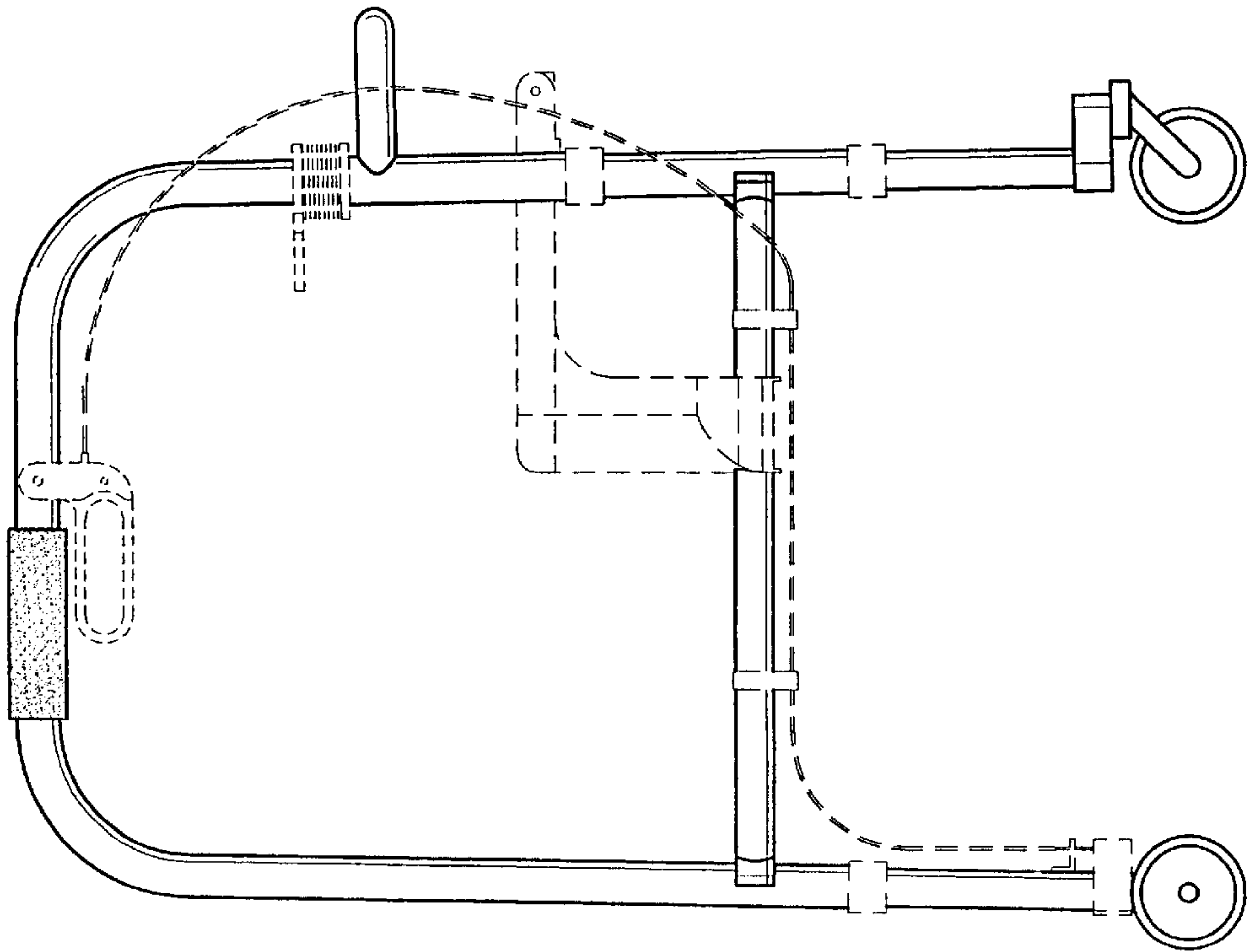


FIG. 18

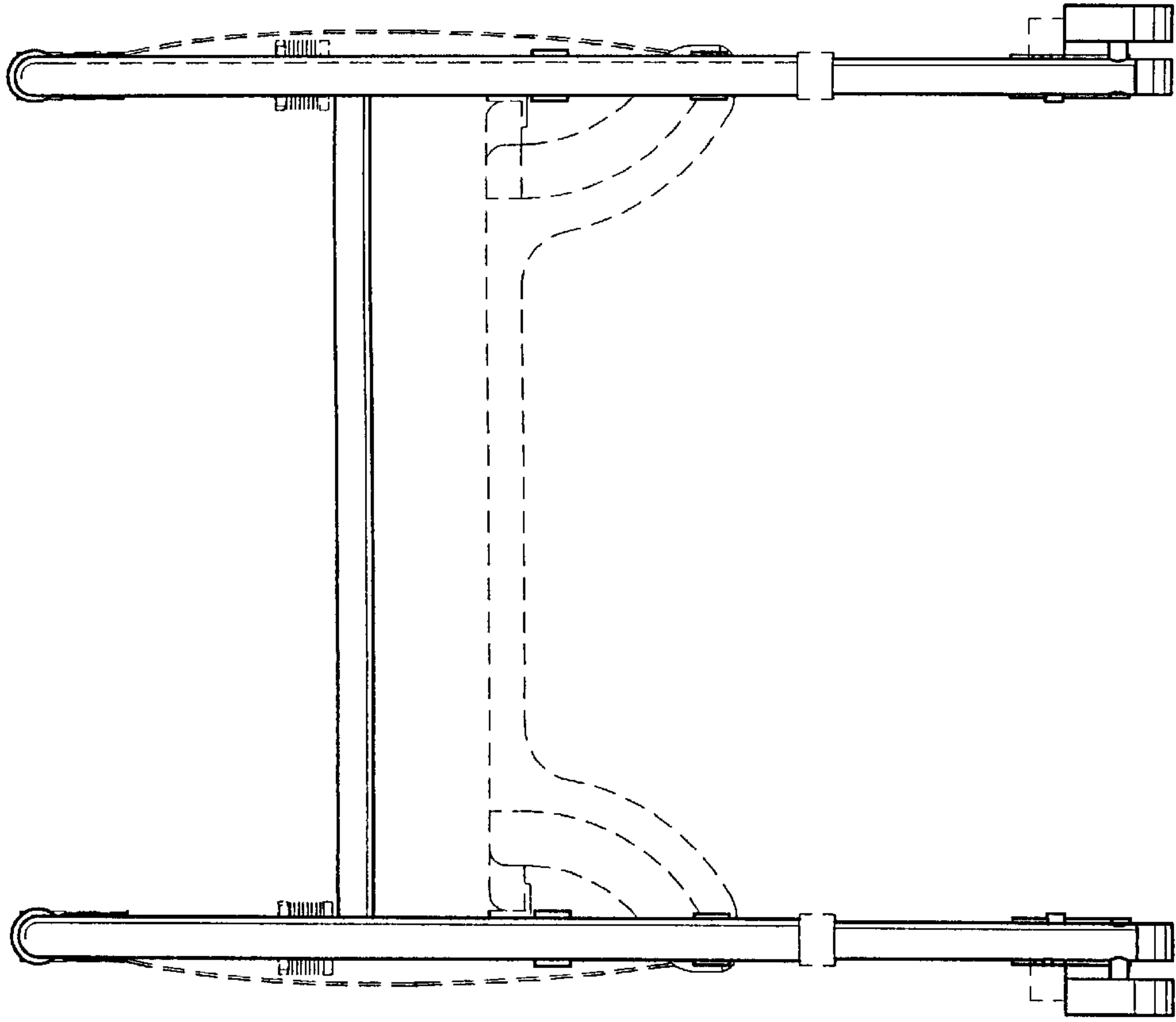


FIG. 21

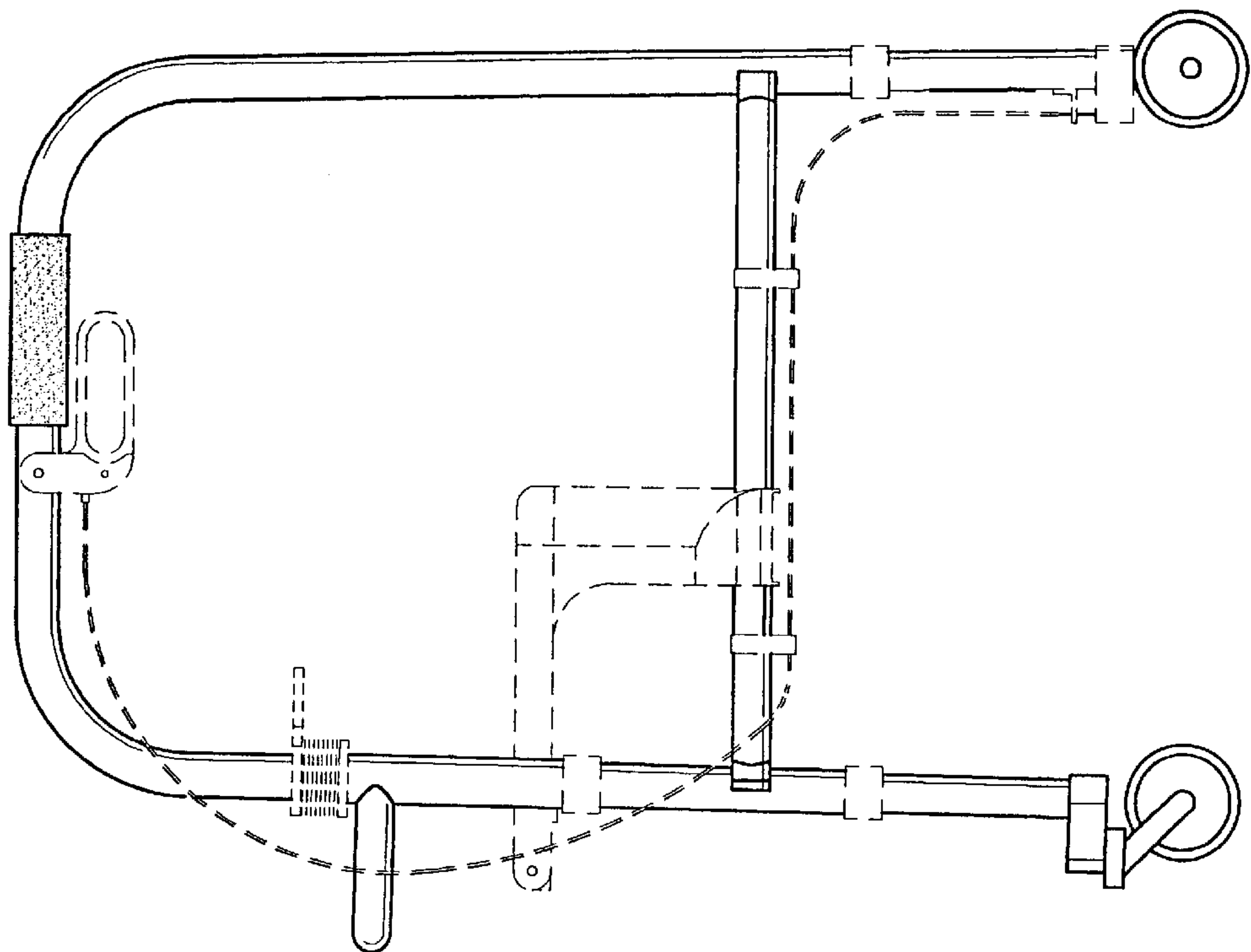


FIG. 20

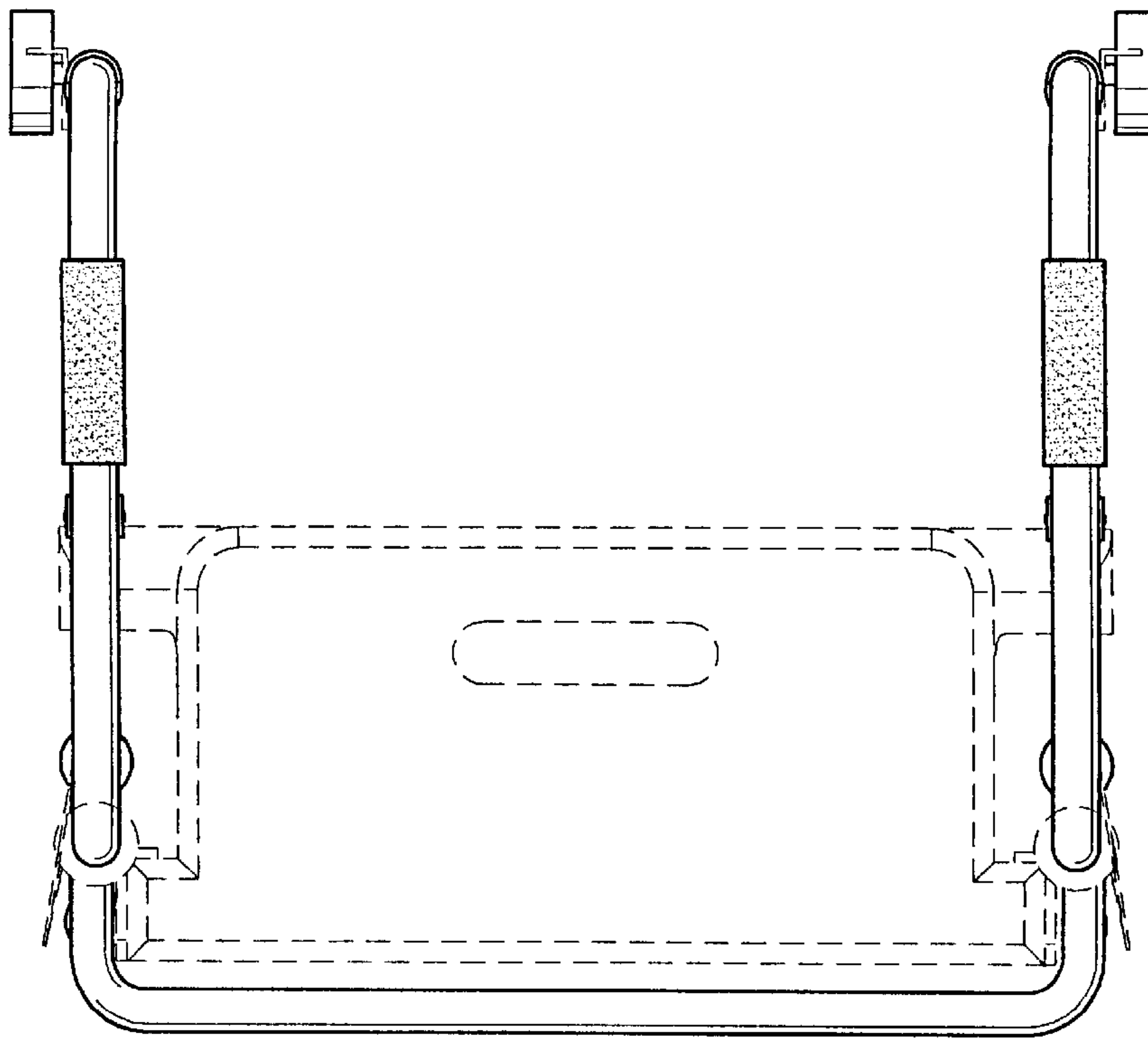


FIG. 22

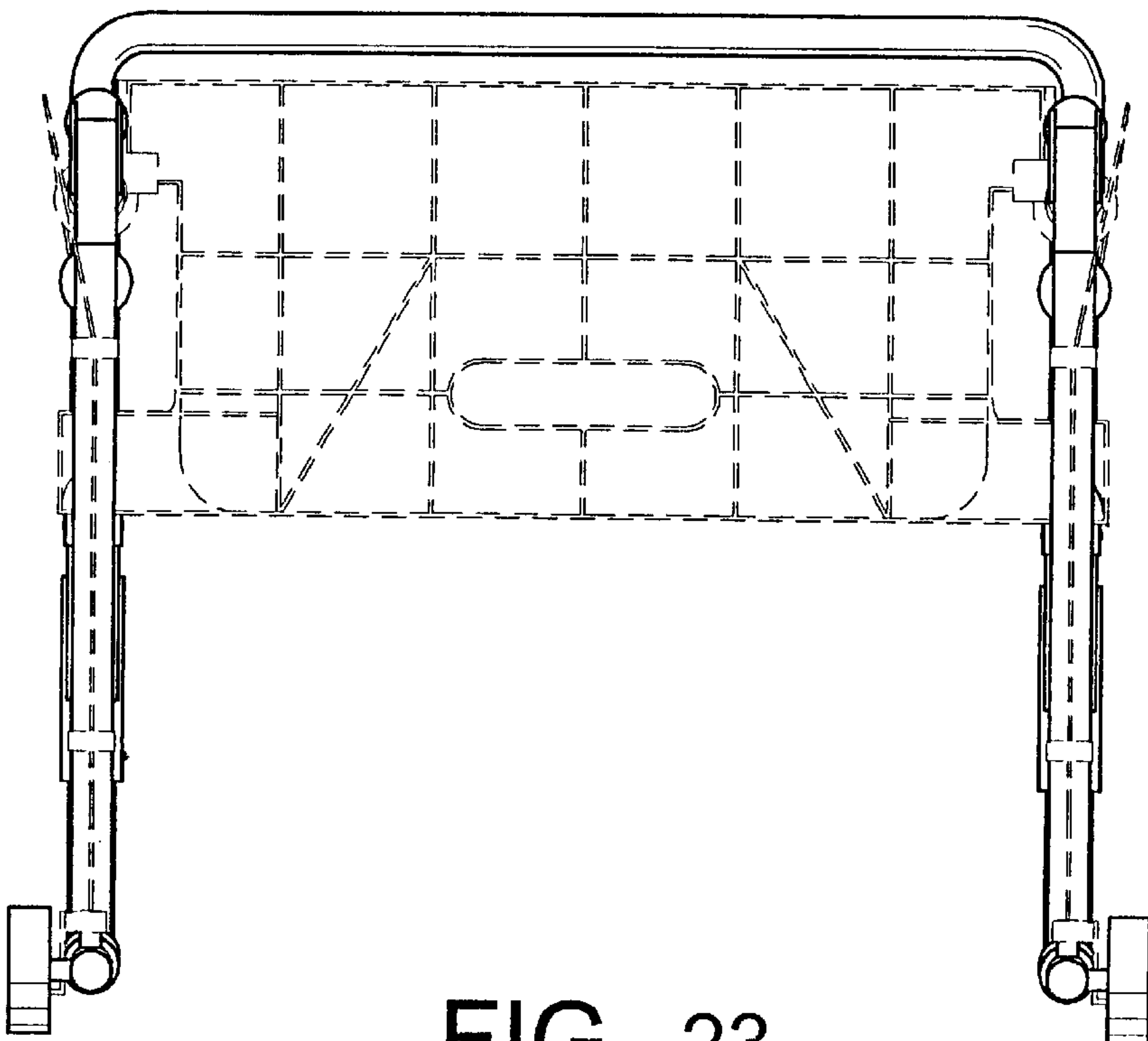


FIG. 23

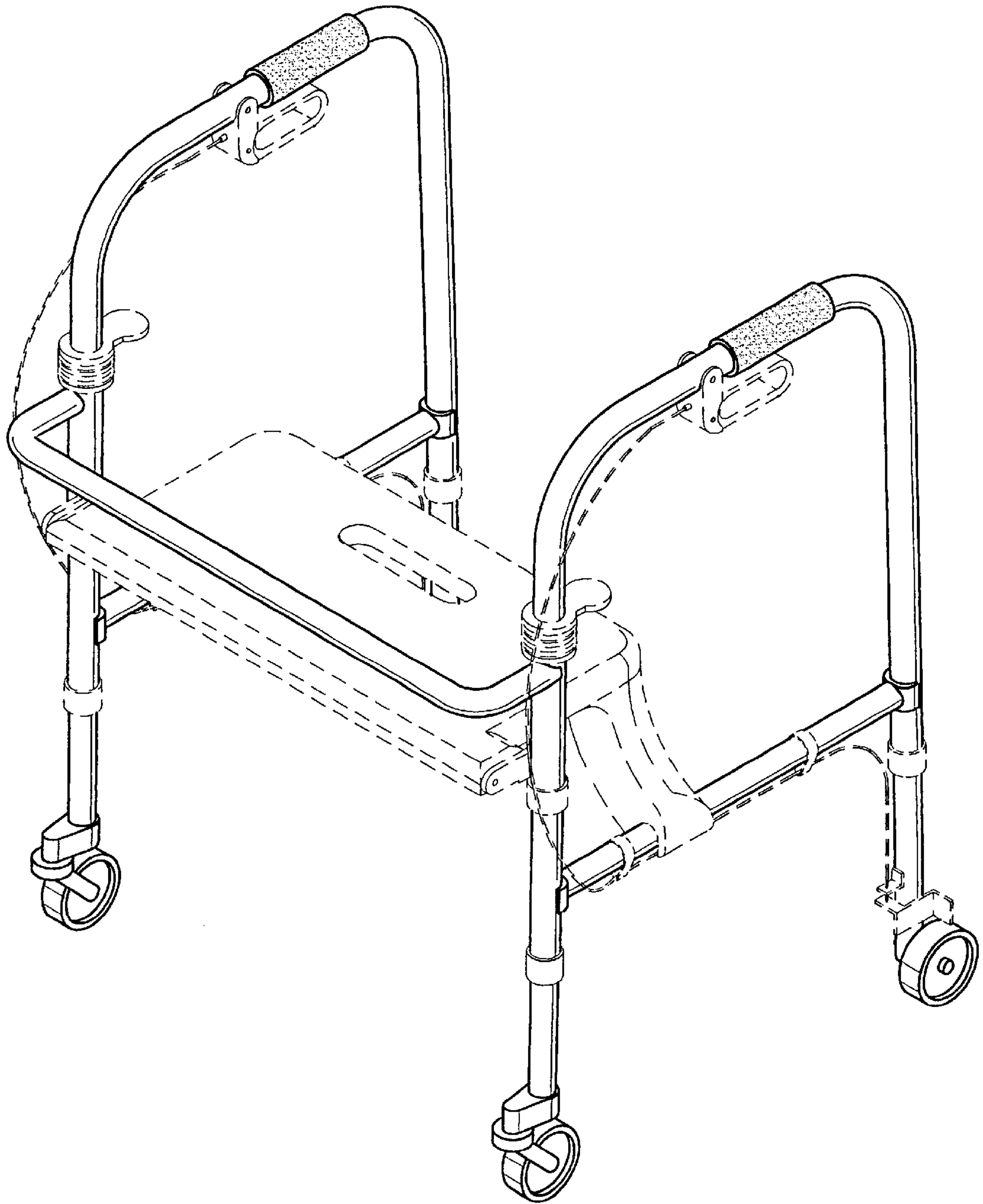


FIG. 24

UNITED STATES PATENT AND TRADEMARK OFFICE
CERTIFICATE OF CORRECTION

PATENT NO. : Des. 480,666 S
DATED : October 14, 2003
INVENTOR(S) : John Owens

Page 1 of 1

It is certified that error appears in the above-identified patent and that said Letters Patent is hereby corrected as shown below:

Title page,

Item [57], **DESCRIPTION,**

Figures 6-10, please delete "seat" and insert -- rollator --;

Figures 11 and 19, please delete "back" and insert -- front --;

Figures 12 and 13, please delete "seat" and insert -- rollator --;

Figures 13 and 21, please delete "front" and insert -- back --;

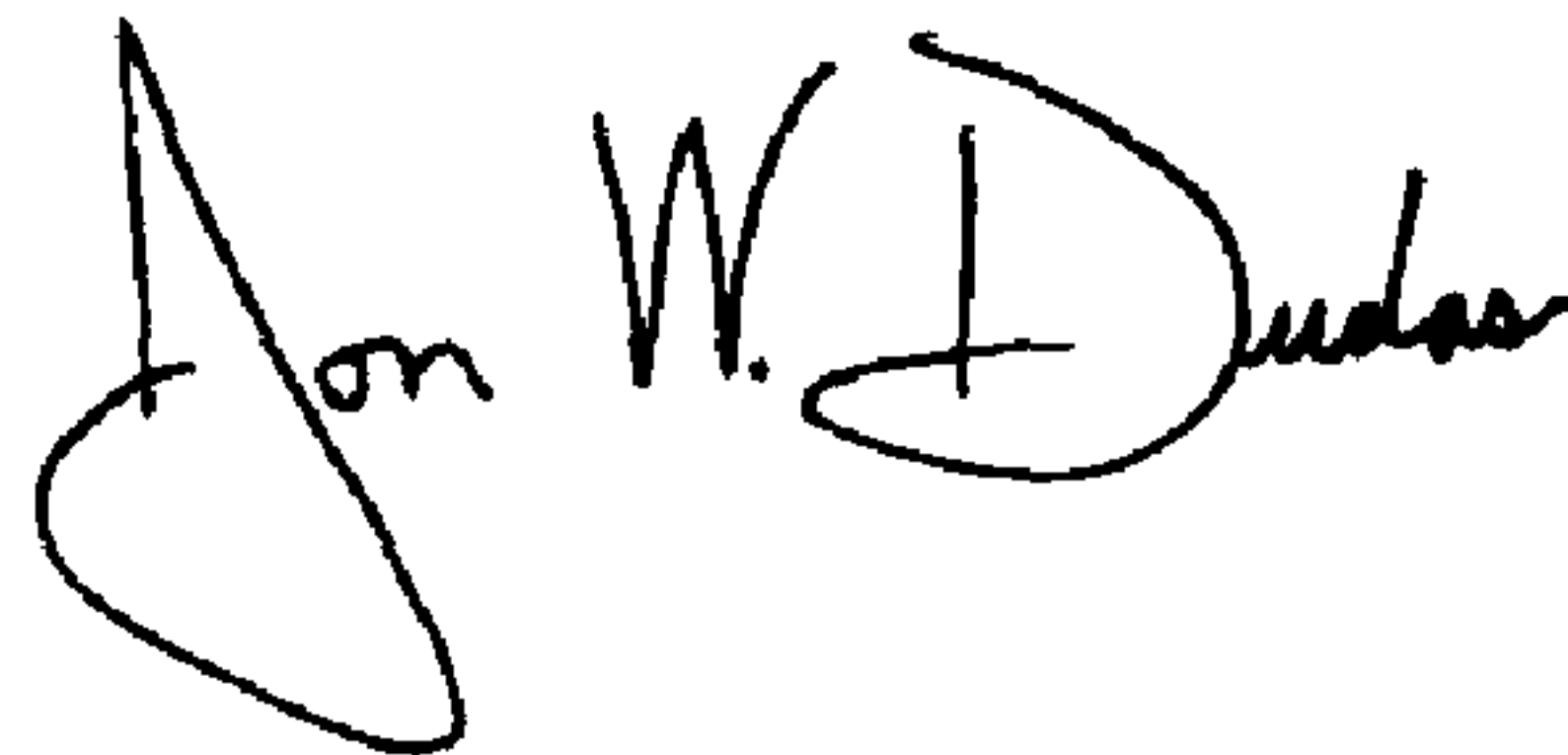
Figures 14-19, please delete "seat" and insert -- rollator --;

Figures 20 and 21, please delete "seat" and insert -- rollator --;

Figures 22-24, please delete "seat" and insert -- rollator --.

Signed and Sealed this

Thirtieth Day of March, 2004



JON W. DUDAS

Acting Director of the United States Patent and Trademark Office