



US00D480665S

(12) **United States Design Patent**
Gunter et al.

(10) **Patent No.:** **US D480,665 S**

(45) **Date of Patent:** **** Oct. 14, 2003**

(54) **TRICYCLE**

(75) Inventors: **David M. Gunter**, Kettering, OH (US);
John E. Fowler, Centerville, OH (US)

(73) Assignee: **Huffy Corporation**, Miamisburg, OH (US)

(**) Term: **14 Years**

(21) Appl. No.: **29/163,661**

(22) Filed: **Jul. 10, 2002**

(51) **LOC (7) Cl.** **12-11**

(52) **U.S. Cl.** **D12/112**

(58) **Field of Search** **D12/110-113,**
D12/117-119; 280/274-280, 259, 281.1,
282-288, 288.1-288.3; D21/423, 432, 435

(56) **References Cited**

U.S. PATENT DOCUMENTS

1,474,577	A	11/1923	Bobbit
1,910,018	A	5/1933	Jones
3,152,838	A	10/1964	Morehead
3,504,934	A	4/1970	Wallis
3,601,213	A	8/1971	Patin
D224,254	S	7/1972	Hill
D231,209	S	4/1974	Williams
3,811,695	A	5/1974	Curtis

(List continued on next page.)

OTHER PUBLICATIONS

U.S. Design patent application Ser. No. 29/166,908 filed Sep. 5, 2002.

Primary Examiner—Pamela Burgess

Assistant Examiner—Linda Brooks

(74) *Attorney, Agent, or Firm*—Dinsmore & Shohl LLP

(57) **CLAIM**

The ornamental design for a tricycle, as shown and described.

DESCRIPTION

FIG. 1 is a perspective view of a tricycle embodying our new design;

FIG. 2 is a left side elevational view thereof;

FIG. 3 is a right side elevational view thereof except that the rear right wheel has been removed to reveal a better view of portions of the rear suspension, wherein the revealed portions would appear as a mirror image thereof in FIG. 2 if the rear left wheel was correspondingly removed;

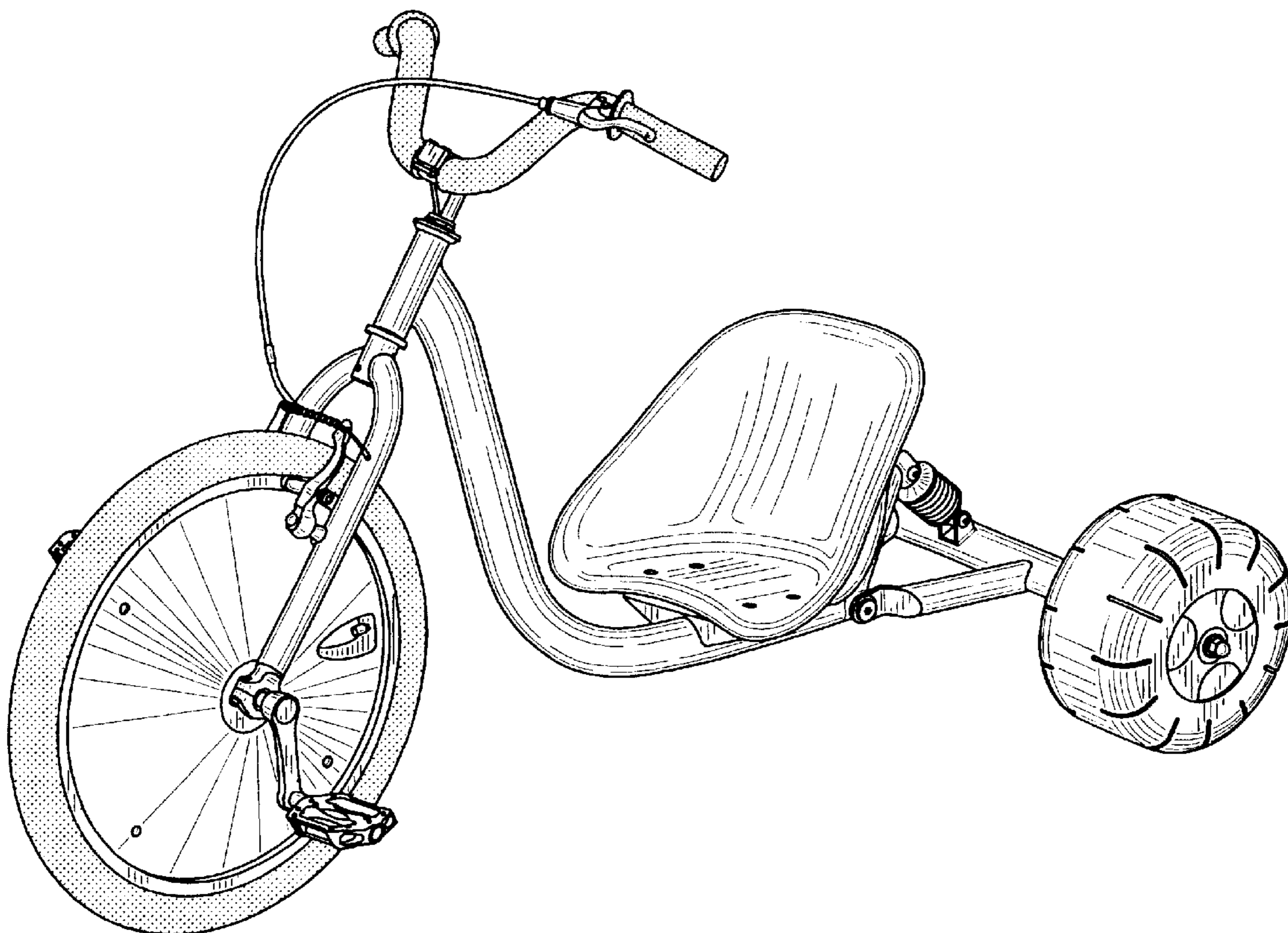
FIG. 4 is a top plan view thereof;

FIG. 5 is a bottom plan view thereof;

FIG. 6 is a front elevational view thereof; and,

FIG. 7 is a rear elevational view thereof.

1 Claim, 7 Drawing Sheets



US D480,665 S

Page 2

U.S. PATENT DOCUMENTS

3,931,989 A	1/1976	Nagamitsu	5,217,241 A	6/1993	Girvin
4,103,921 A	8/1978	Brooks et al.	5,332,246 A	7/1994	Buell
4,111,446 A	9/1978	Kassai	5,370,411 A	12/1994	Takamiya et al.
4,159,752 A	7/1979	Kanno	5,462,302 A	10/1995	Leitner
4,168,846 A	9/1979	Carren	D366,635 S	1/1996	Pasin et al.
D263,944 S	4/1982	Arad et al.	5,499,834 A	3/1996	Pasin et al.
4,421,337 A	12/1983	Pratt	5,509,679 A	4/1996	Leitner
4,429,760 A	2/1984	Koizumi et al.	5,568,934 A	10/1996	Niemeyer
D277,947 S	3/1985	Blumenthal	5,678,837 A	10/1997	Leitner
D279,464 S	7/1985	Kane	5,765,871 A	6/1998	Wyman et al.
4,529,056 A	7/1985	Kreuz	5,899,480 A	5/1999	Leitner
4,546,991 A	10/1985	Allen et al.	D411,971 S	7/1999	McMahon et al.
4,580,802 A	4/1986	Herman et al.	6,036,213 A	3/2000	Busby
4,657,270 A	4/1987	Allen et al.	6,095,543 A	8/2000	McMahon et al.
D295,989 S *	5/1988	Cummings D21/423	D434,350 S	11/2000	Van Der Linden
D296,774 S	7/1988	Armstrong	6,152,473 A	11/2000	Shih
5,000,470 A	3/1991	Kamler et al.	6,161,847 A	12/2000	Howell et al.
5,022,671 A	6/1991	Jones, Jr.	6,164,666 A	12/2000	Prea
5,071,150 A	12/1991	Conrad	D450,631 S	11/2001	Ridley et al.
D334,157 S	3/1993	Tonelli	2001/0035626 A1	11/2001	Kettler

* cited by examiner

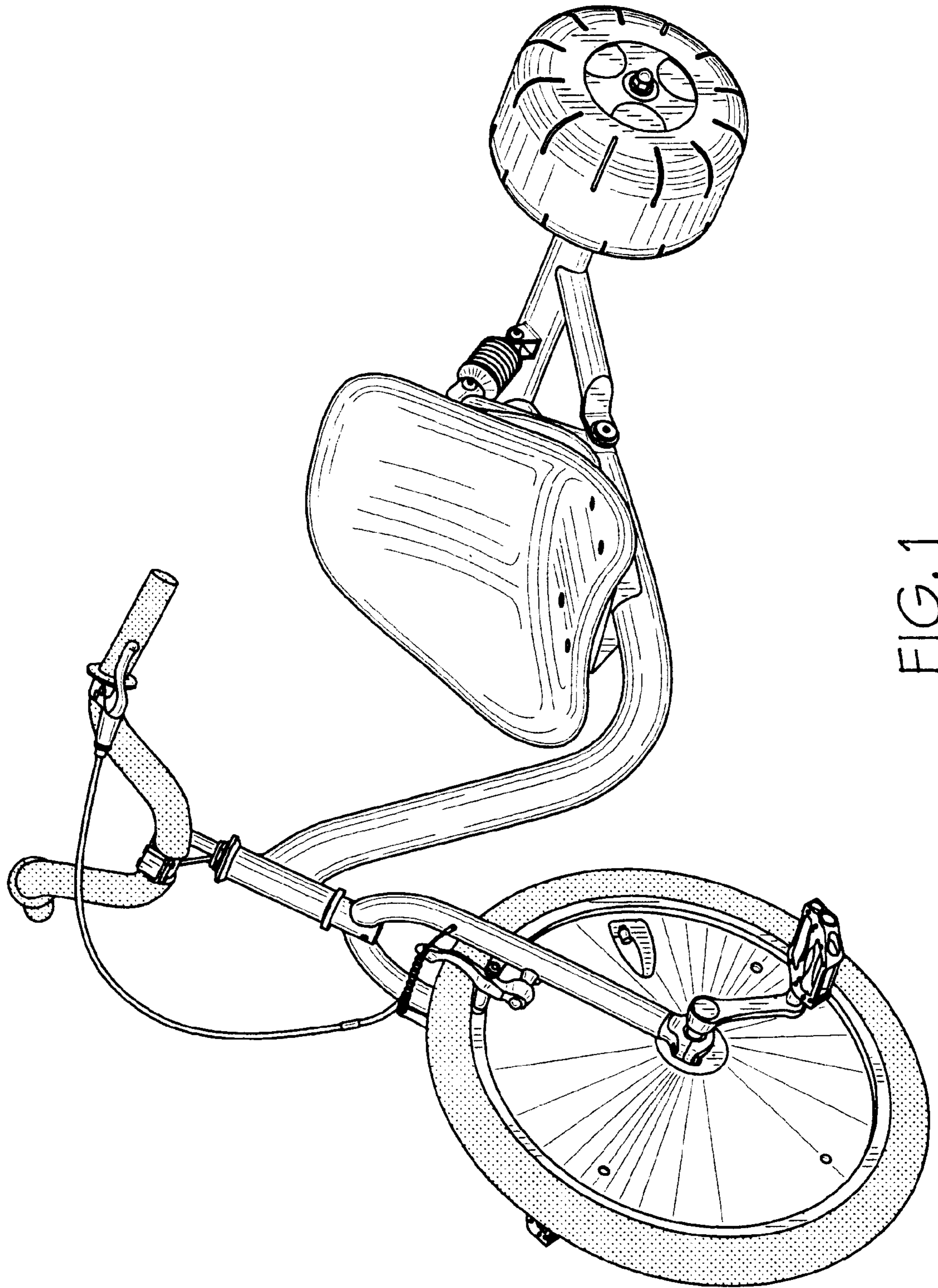


FIG. 1

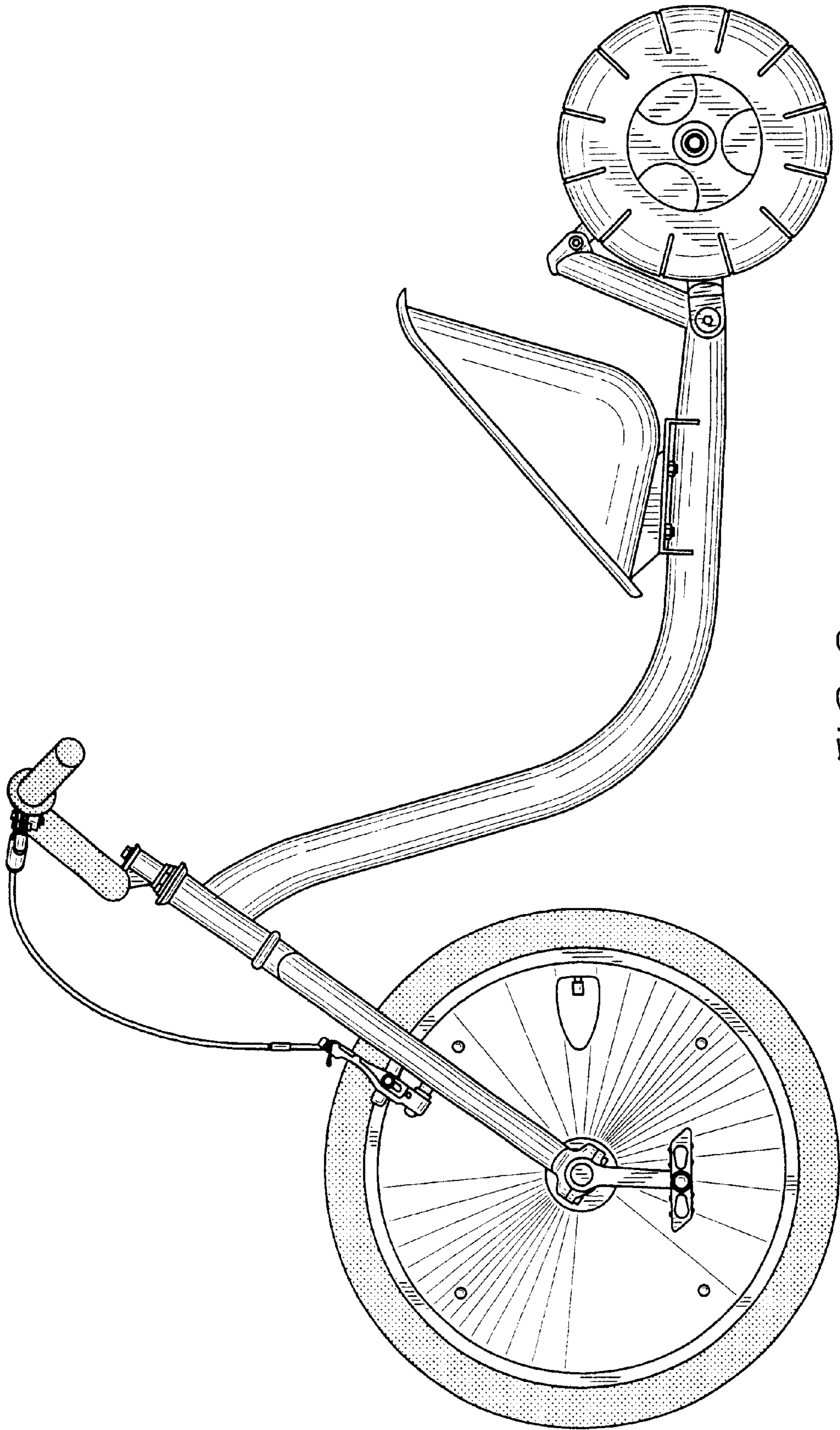


FIG. 2

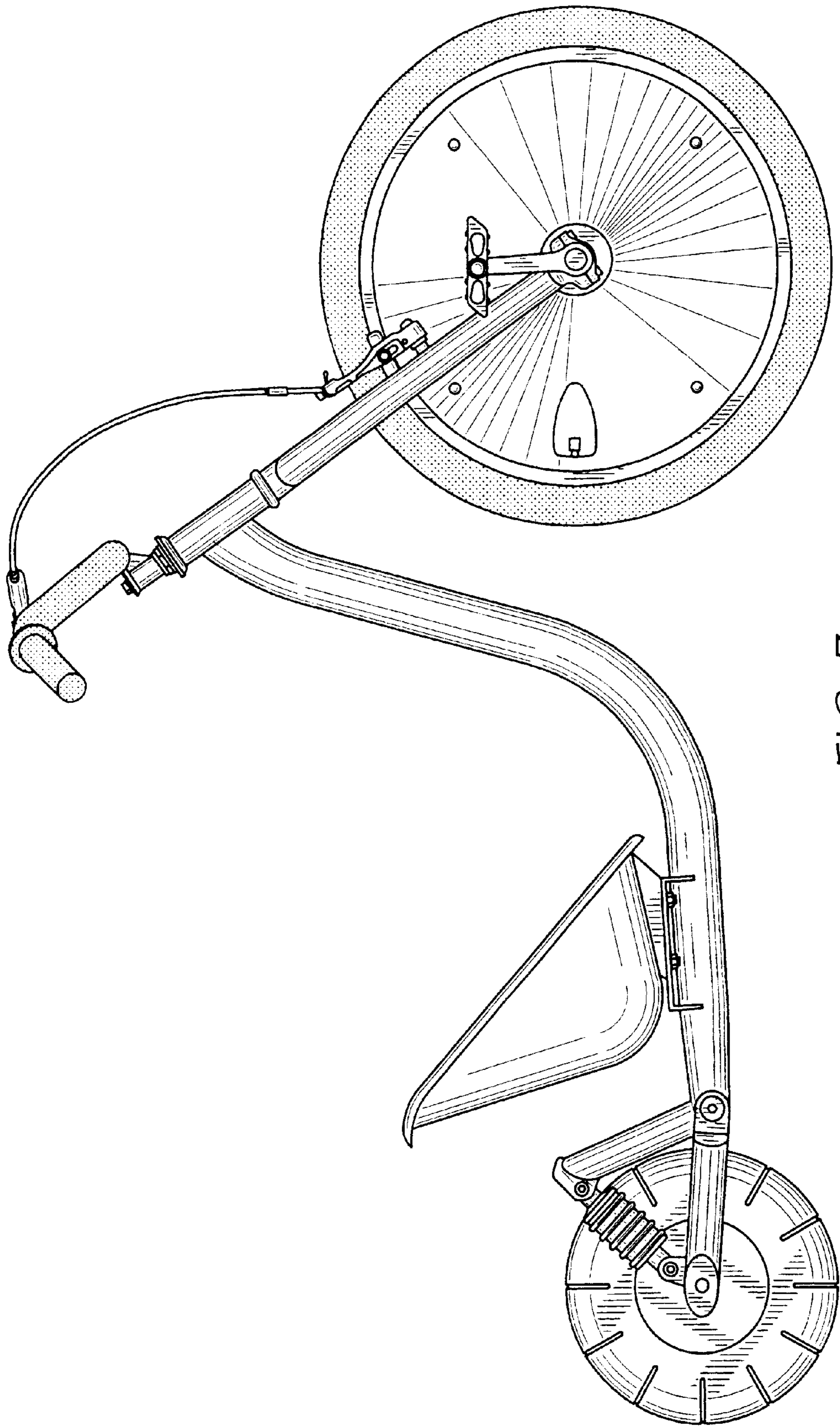


FIG. 3

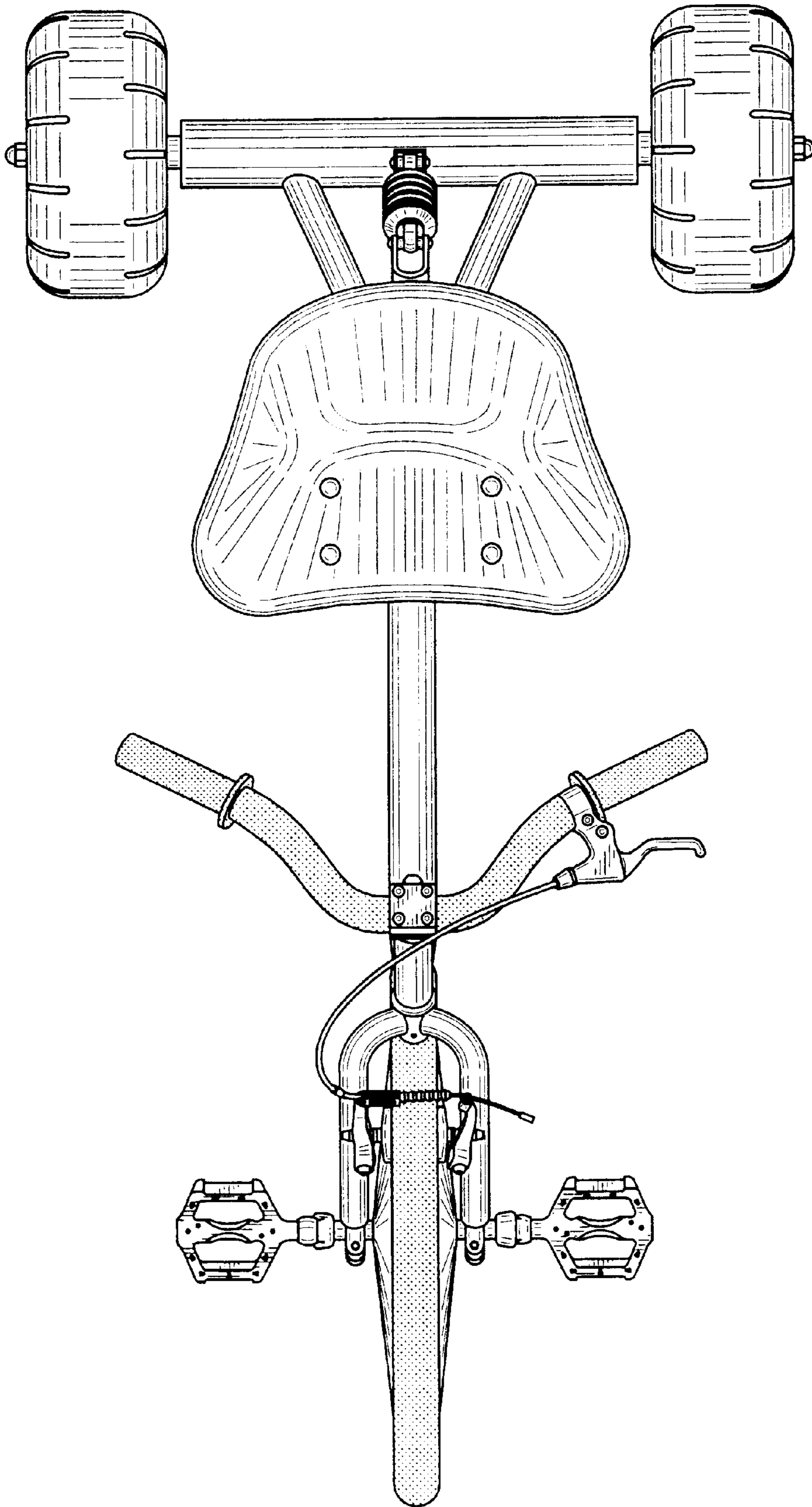


FIG. 4

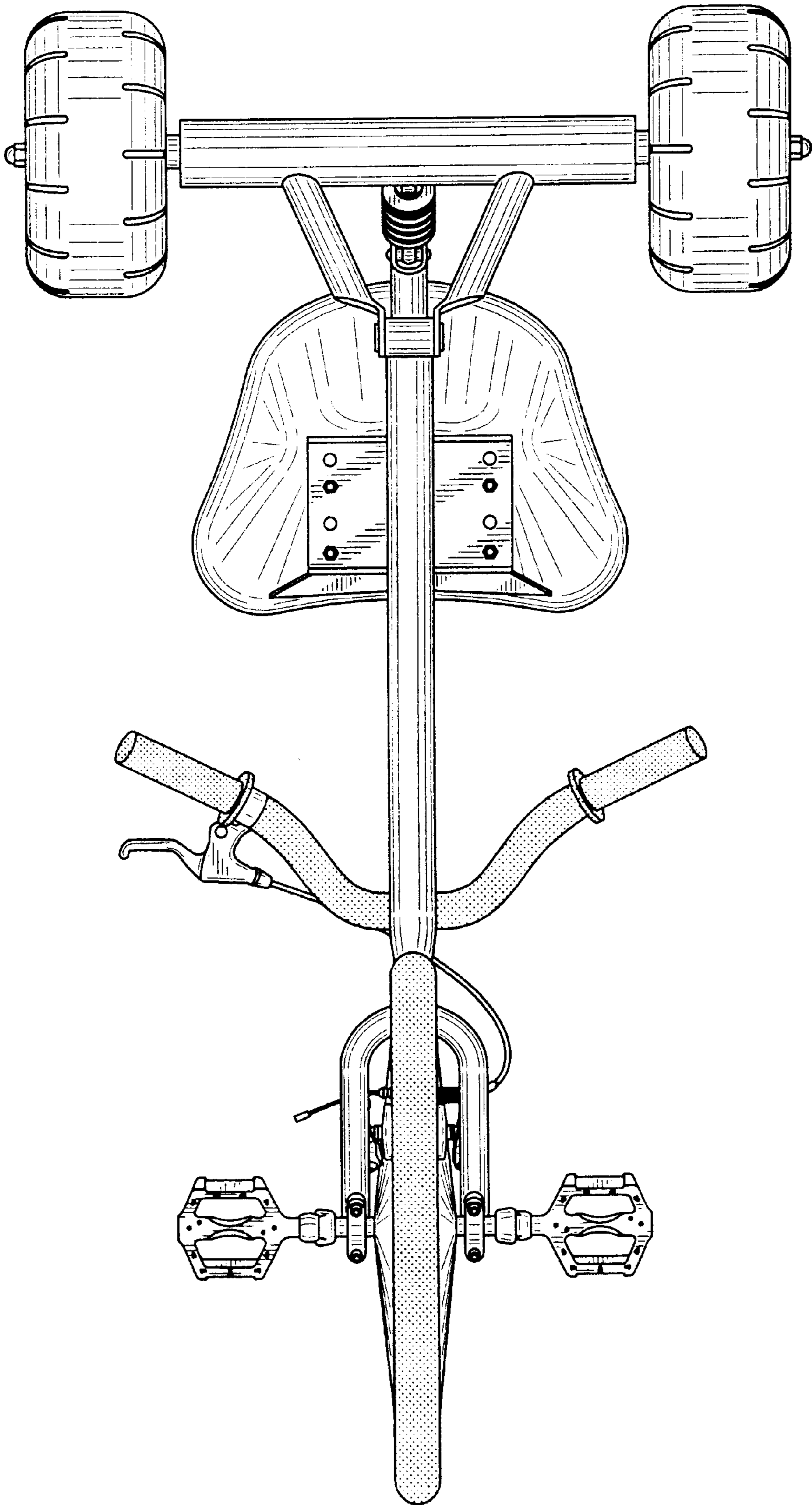


FIG. 5

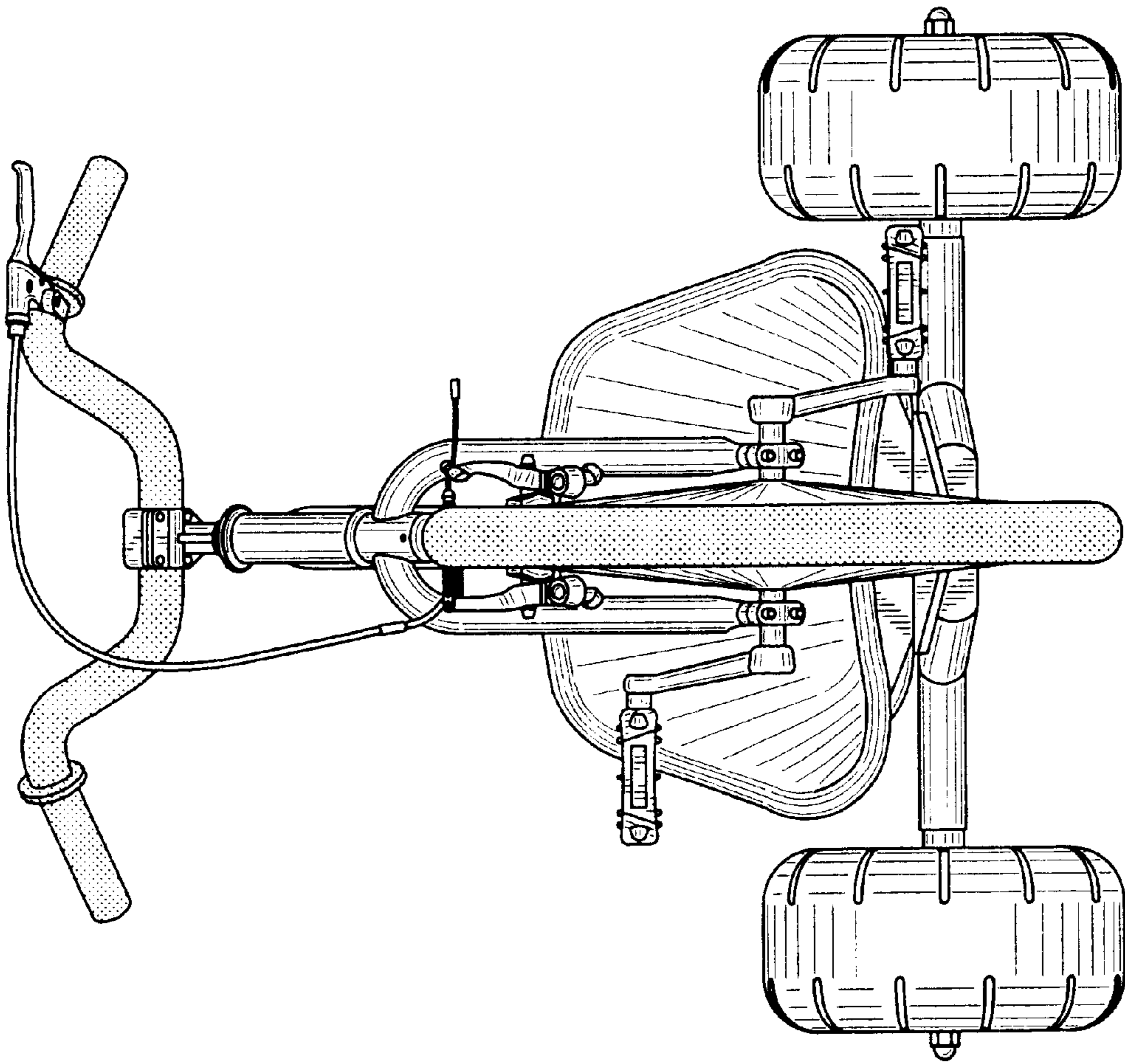


FIG. 6

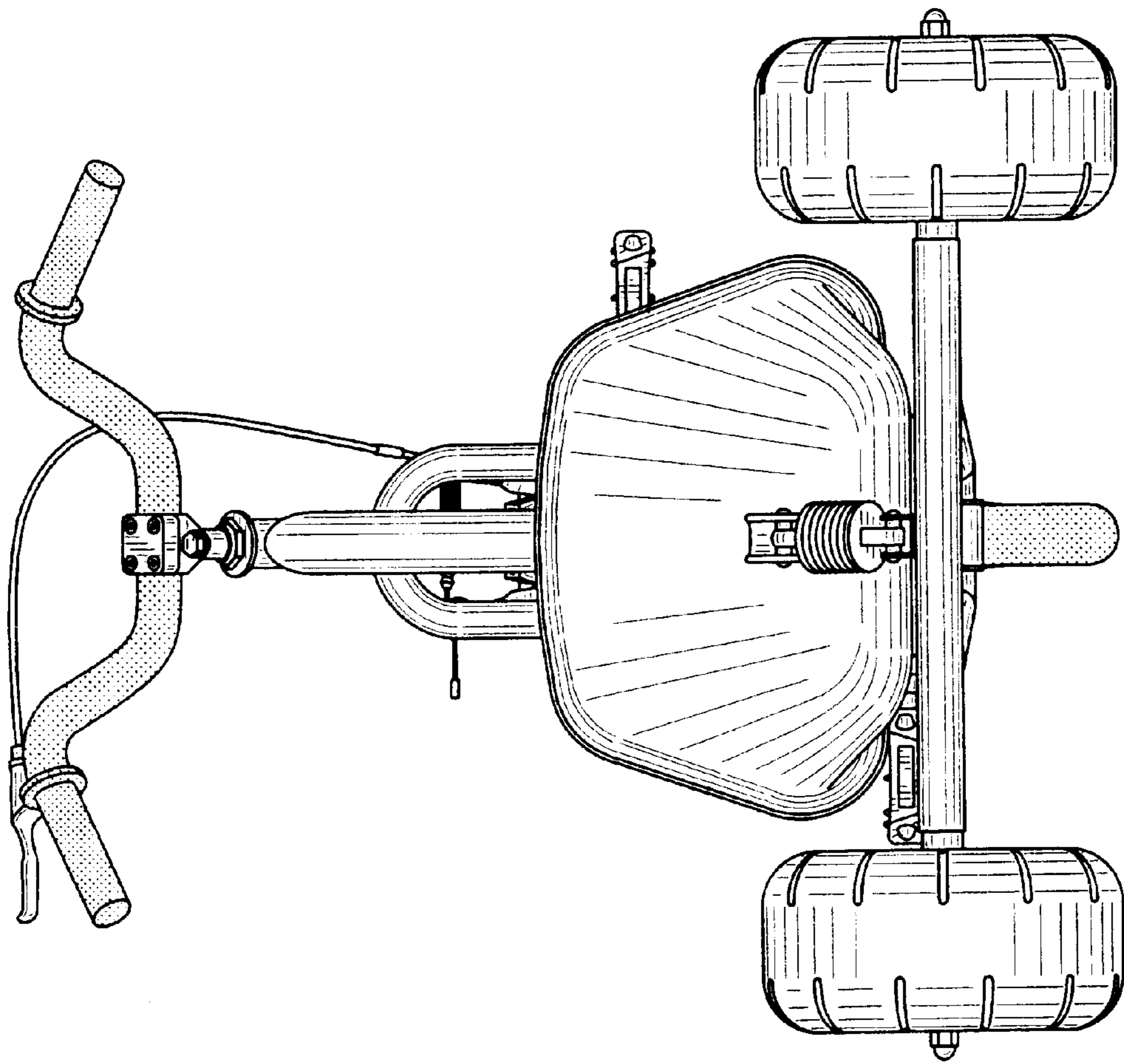


FIG. 7