



US00D480664S

(12) **United States Design Patent**
James

(10) **Patent No.: US D480,664 S**

(45) **Date of Patent: ** *Oct. 14, 2003**

(54) **MOTORCYCLE FRAME**

(75) Inventor: **Jesse G. James**, Surfside, CA (US)

(73) Assignee: **West Coast Choppers, Inc.**, Long Beach, CA (US)

(*) Notice: This patent is subject to a terminal disclaimer.

(**) Term: **14 Years**

(21) Appl. No.: **29/164,998**

(22) Filed: **Aug. 2, 2002**

(51) **LOC (7) Cl.** **12-11**

(52) **U.S. Cl.** **D12/110**

(58) **Field of Search** D12/110, 111;
180/219, 227, 311, 312; 280/281.1, 283,
284, 288.1-288.3

(56) **References Cited**

U.S. PATENT DOCUMENTS

- 4,022,484 A 5/1977 Davis
- 5,469,930 A 11/1995 Wiers
- 5,704,442 A 1/1998 Okazaki et al.
- D425,453 S * 5/2000 Manescalchi D12/110

OTHER PUBLICATIONS

Biker's Choice 2000 catalog, Paughco frames on p. 208.*
U.S. Design patent application Ser. No. 29/164,989, filed on Aug. 2, 2002, by Jesse G. James.

U.S. Design patent application Ser. No. 29/164,986, filed on Aug. 2, 2002, by Jesse G. James.

U.S. Design patent application Ser. No. 29/164,990, filed on Aug. 2, 2002, by Jesse G. James

Biker's Choice 2000 catalog, Paughco frames, p. 210.

* cited by examiner

Primary Examiner—Alan P. Douglas

Assistant Examiner—Linda Brooks

(57) **CLAIM**

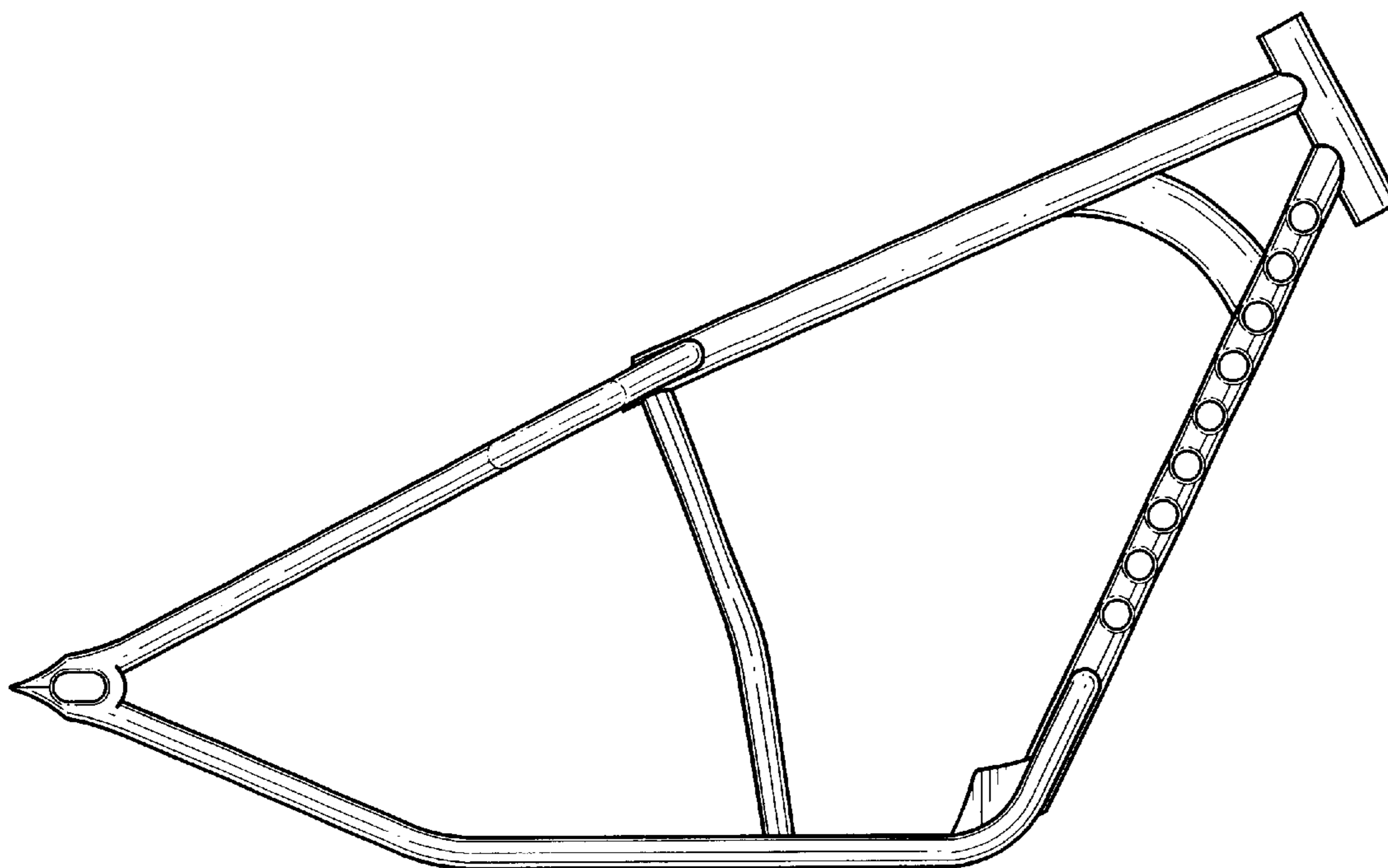
The ornamental design for a motorcycle frame, substantially as shown and described.

DESCRIPTION

- FIG. 1 is a front elevational view;
- FIG. 2 is a front elevational view, the rear elevational view being a mirror image thereof;
- FIG. 3 is a top plan view;
- FIG. 4 is a bottom plan view;
- FIG. 5 is a right side elevational view; and,
- FIG. 6 is a left side elevational view of my motorcycle frame.

The dotted lines showing a motorcycle in FIG. 1 are environmental only and form no part of the claimed design.

1 Claim, 3 Drawing Sheets



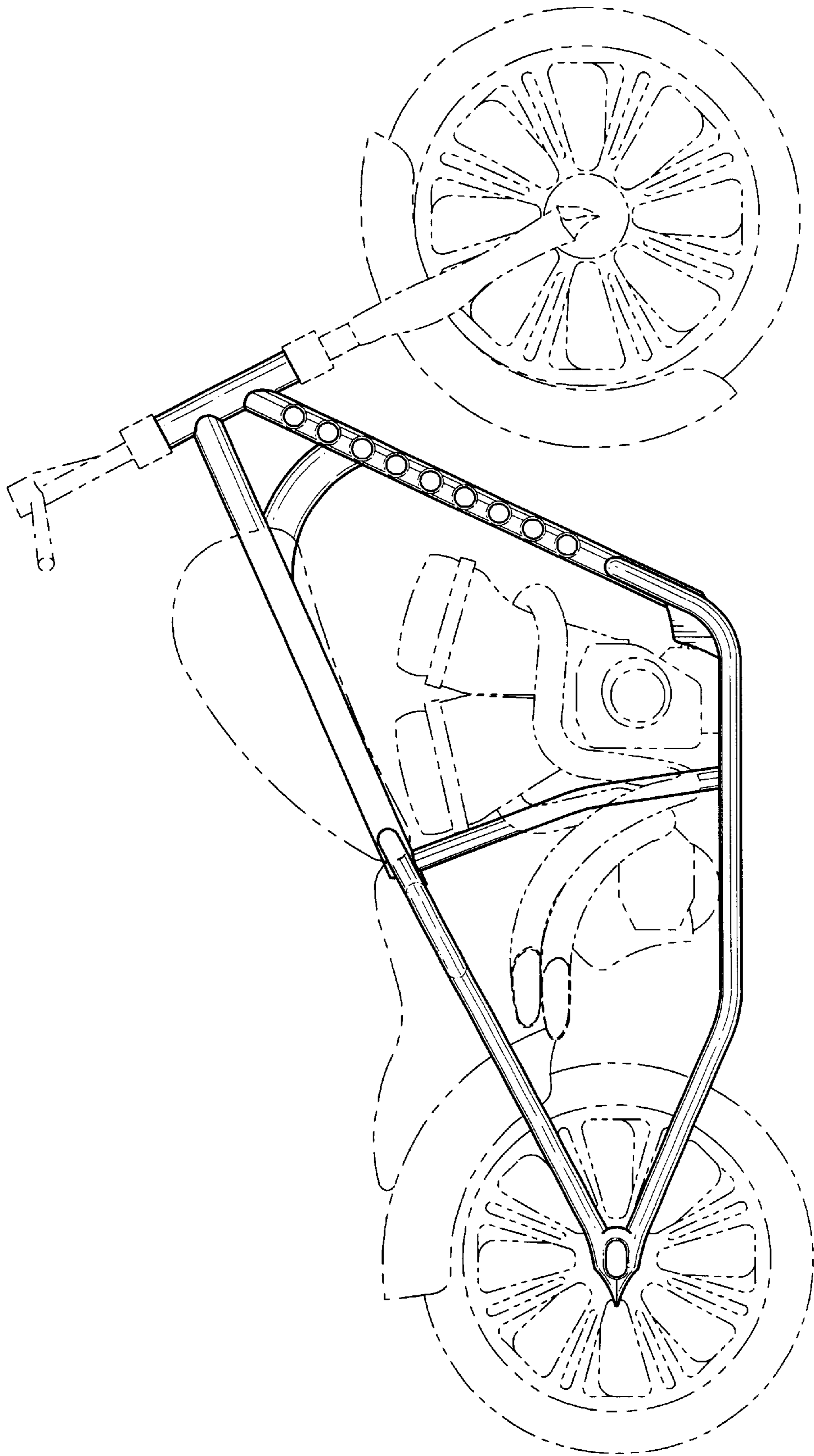


FIG. 1

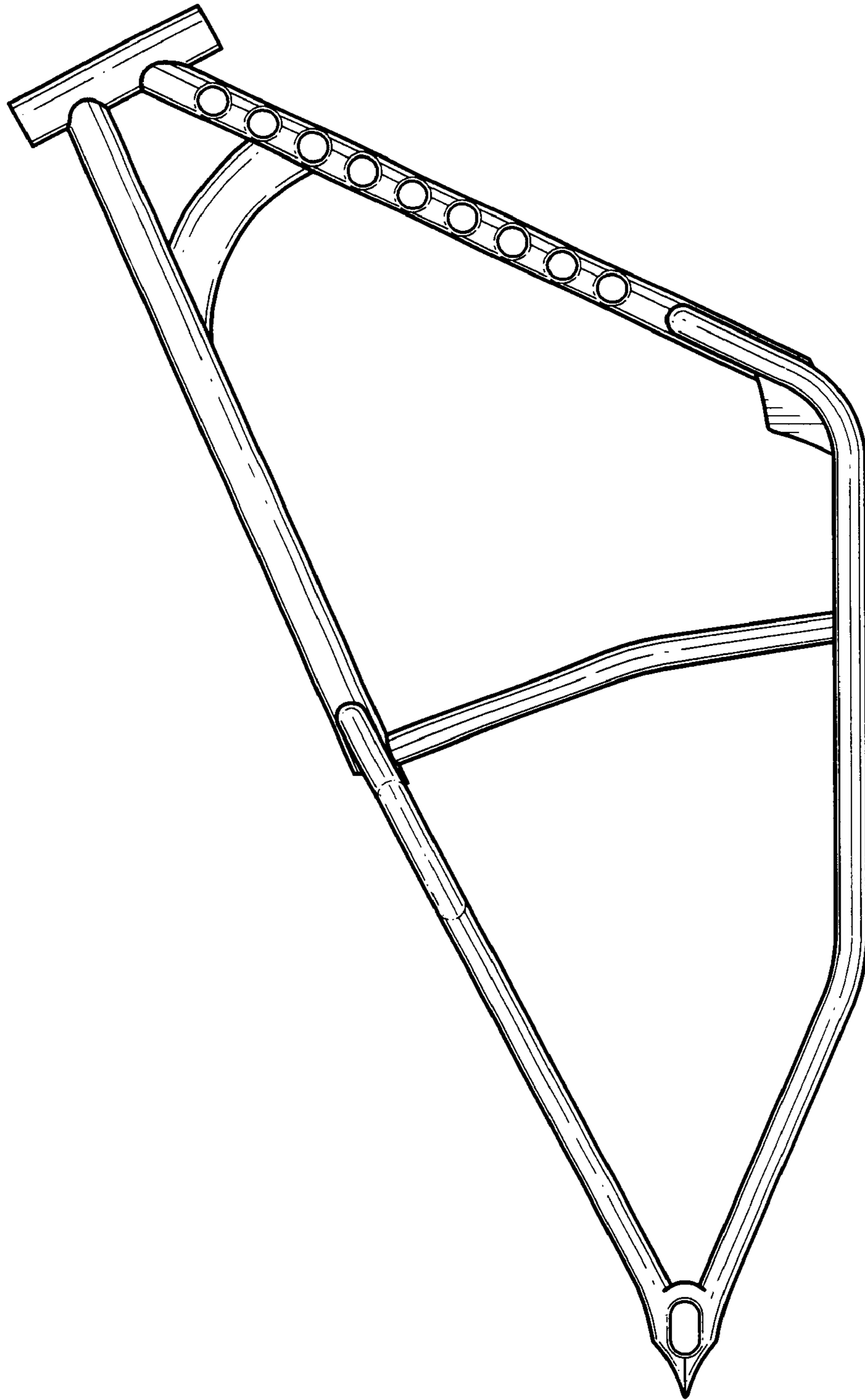


FIG. 2

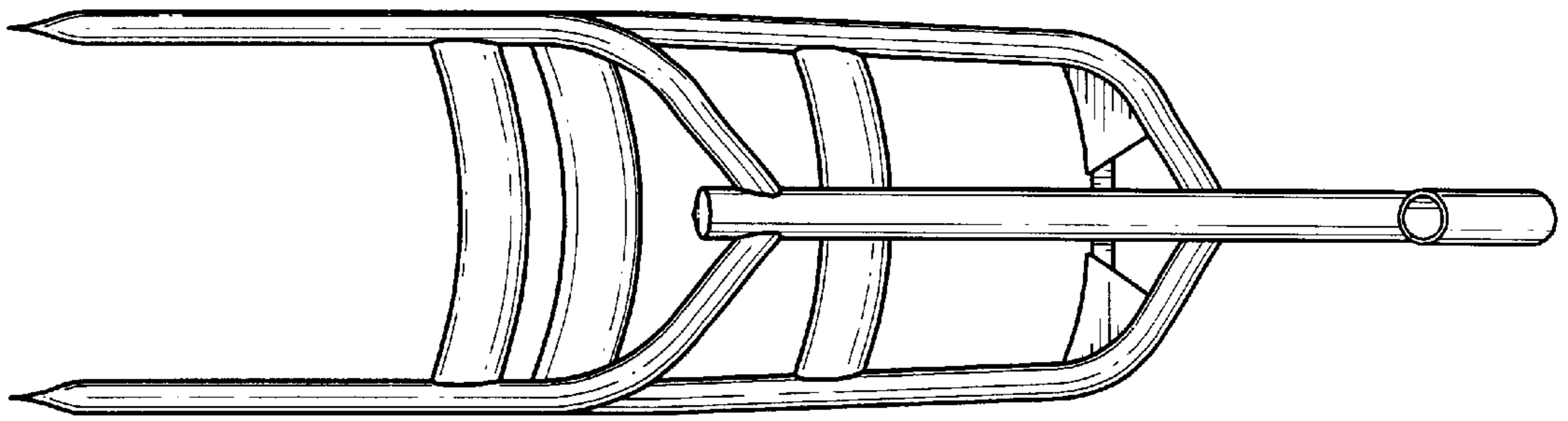


FIG. 3

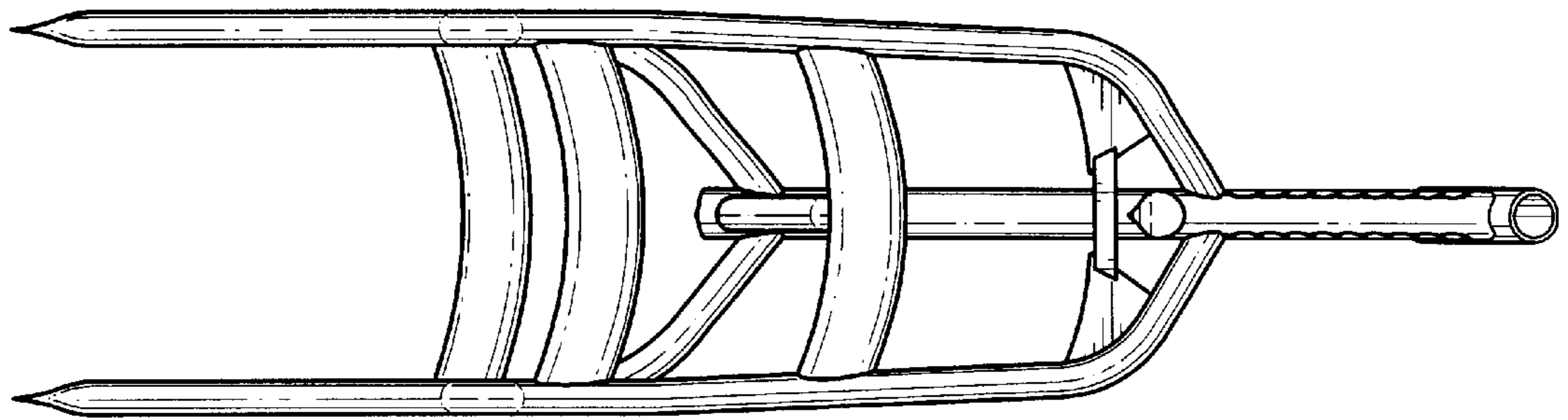


FIG. 4

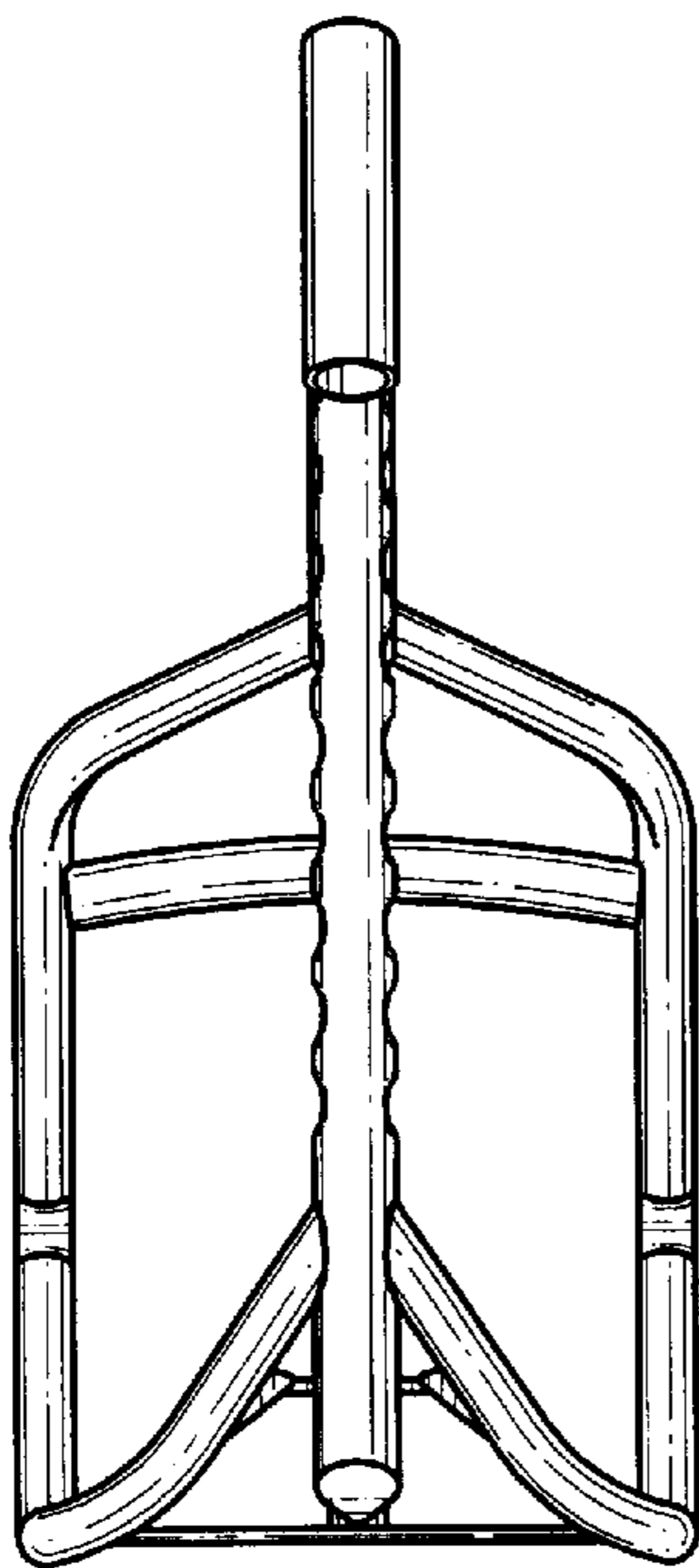


FIG. 5

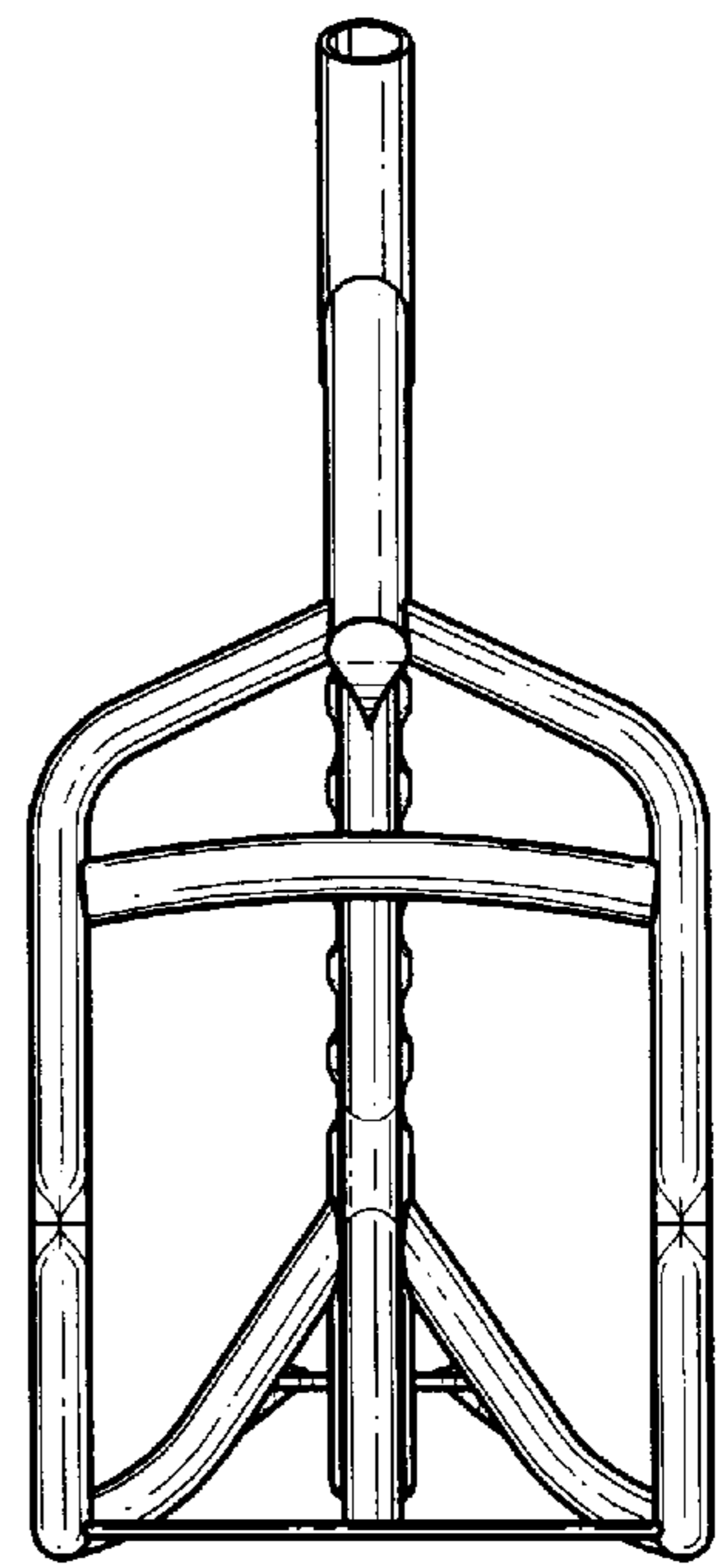


FIG. 6