



US00D480654S

(12) **United States Design Patent**
Kleffmann

(10) **Patent No.:** **US D480,654 S**

(45) **Date of Patent:** **** Oct. 14, 2003**

(54) **PRESSURE SENSOR**

6,502,500 B2 * 1/2003 Yoshino 91/446
6,505,516 B1 * 1/2003 Frick et al. 73/718

(75) Inventor: **Jan Kleffmann**, Esslingen (DE)

OTHER PUBLICATIONS

(73) Assignee: **Festo AG & Co.** (DE)

FESTO Product Catalog pp. 48–49 (1990).
FESTO Product Brochure “SDE1 Modular System for Pressure Sensors and Pressure Switches” pp. 1–18 (undated).

(**) Term: **14 Years**

* cited by examiner

(21) Appl. No.: **29/165,443**

(22) Filed: **Aug. 9, 2002**

Primary Examiner—Antoine Duval Davis

(30) **Foreign Application Priority Data**

(57) **CLAIM**

Feb. 13, 2002 (DE) 4 02 01 389

The ornamental design for a pressure sensor, as shown as described.

(51) **LOC (7) Cl.** **10-04**

DESCRIPTION

(52) **U.S. Cl.** **D10/85**

(58) **Field of Search** D10/83, 85; 73/273,
73/431, 756, 708, 718, 724, 61.42, 730,
19.03, 19.1; 91/445–448, 454; 324/204

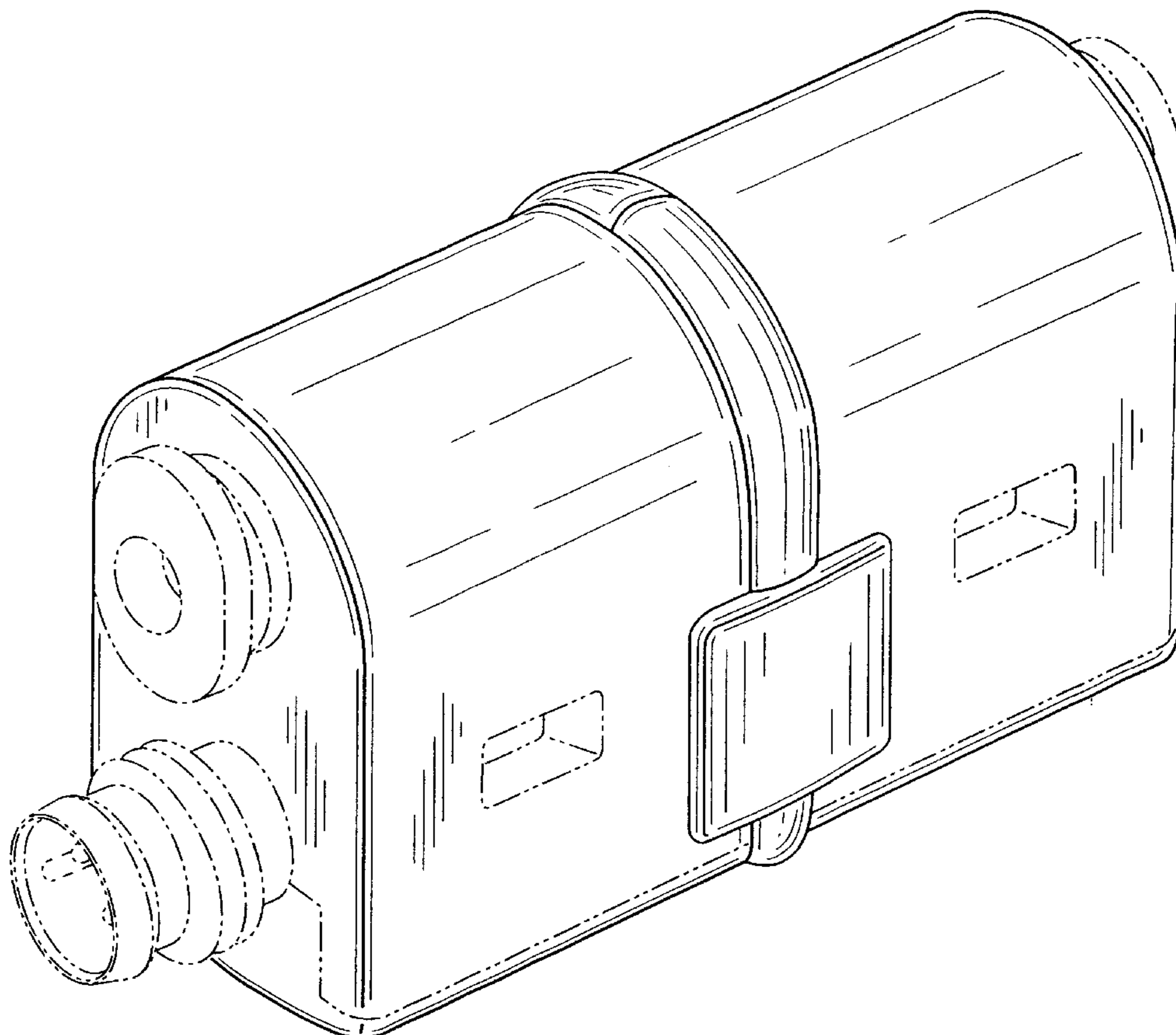
FIG. 1 is a front perspective view of a pressure sensor showing my new design;
FIG. 2 is a top plan view thereof;
FIG. 3 is a left side elevational view thereof;
FIG. 4 is a right side elevational view thereof;
FIG. 5 is a bottom plan view thereof;
FIG. 6 is a front elevational view thereof; and,
FIG. 7 is a rear elevational view thereof.
The broken lines shown in FIGS. 1–7 are for illustrative purposes only and form no part of the claimed design.

(56) **References Cited**

U.S. PATENT DOCUMENTS

5,177,993 A * 1/1993 Beckman et al. 73/19.03
D371,085 S * 6/1996 Ito D10/85
5,846,257 A * 12/1998 Hood 73/730
6,007,034 A 12/1999 Stoll et al.
6,122,976 A * 9/2000 Hallberg et al. 73/756
6,297,626 B1 * 10/2001 Boston et al. 324/204

1 Claim, 6 Drawing Sheets



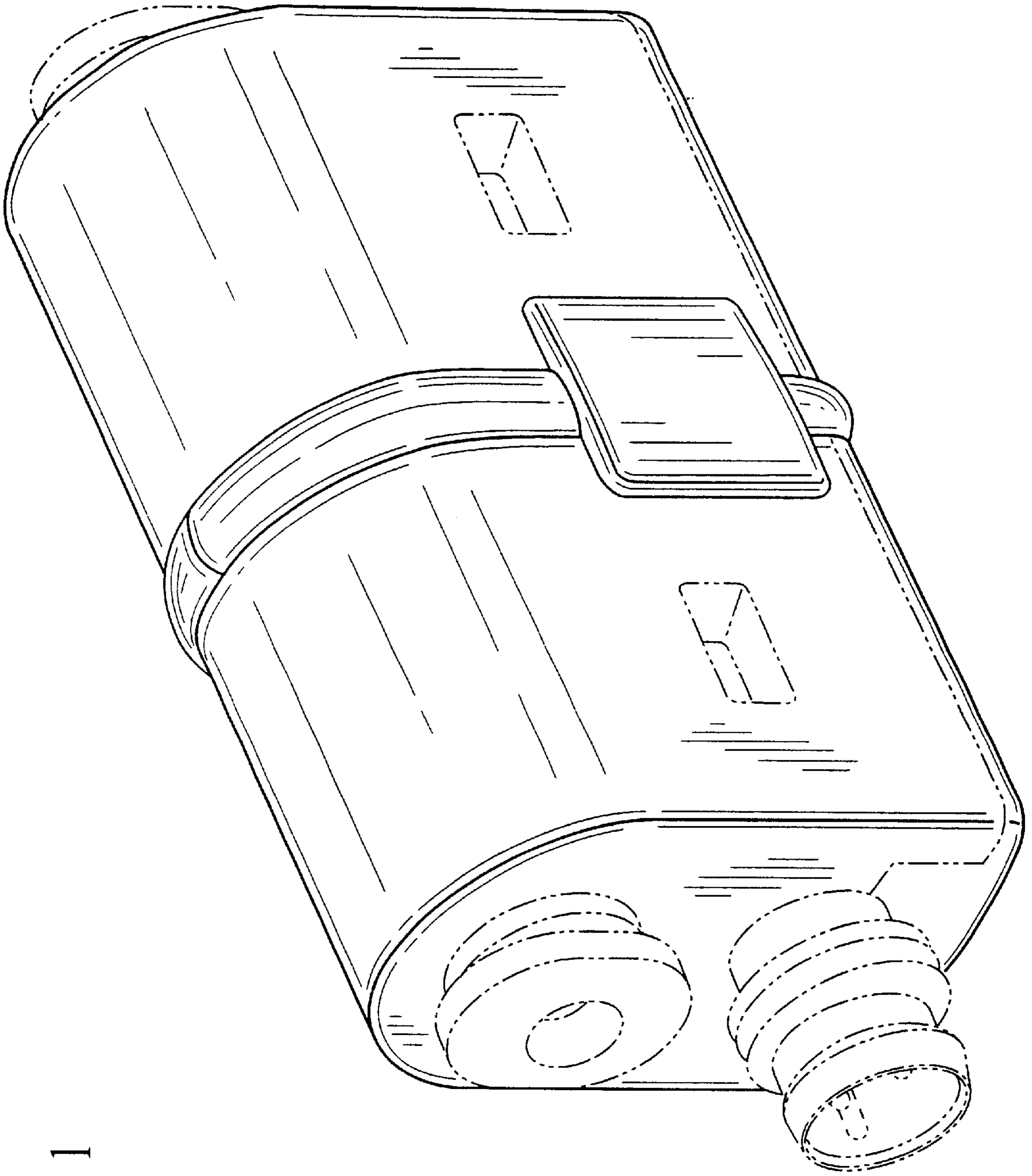


FIG. 1

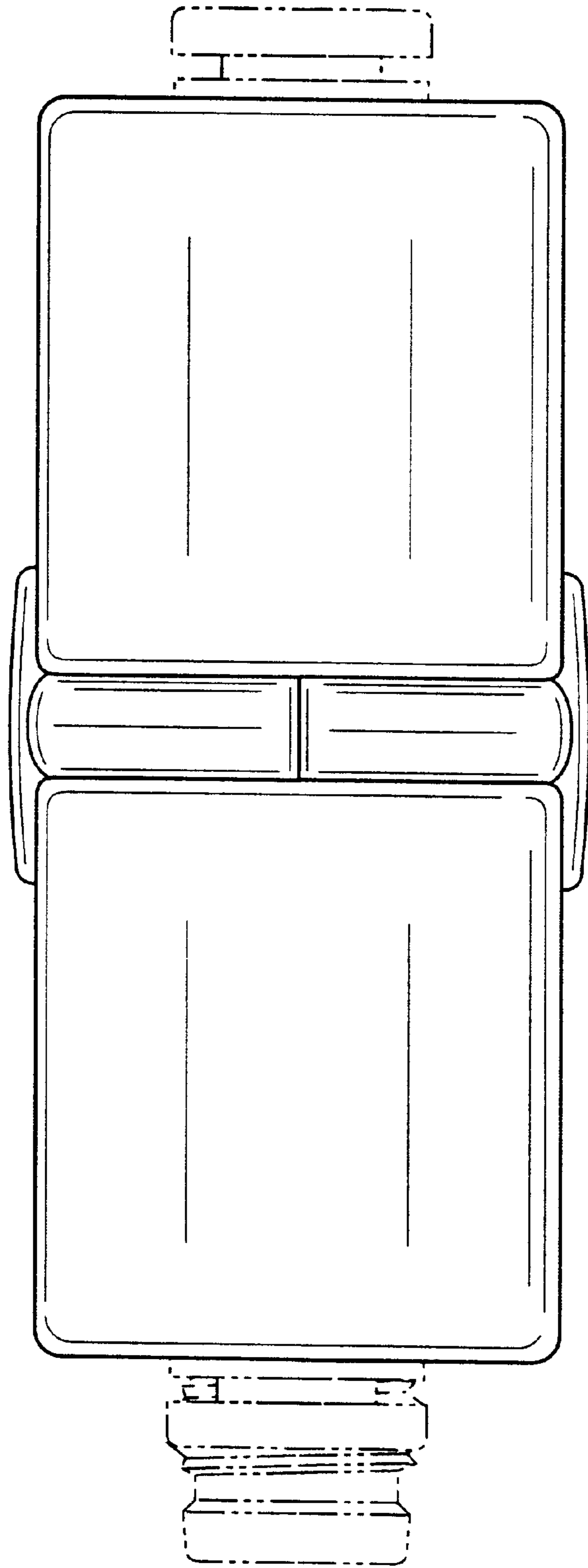


FIG. 2

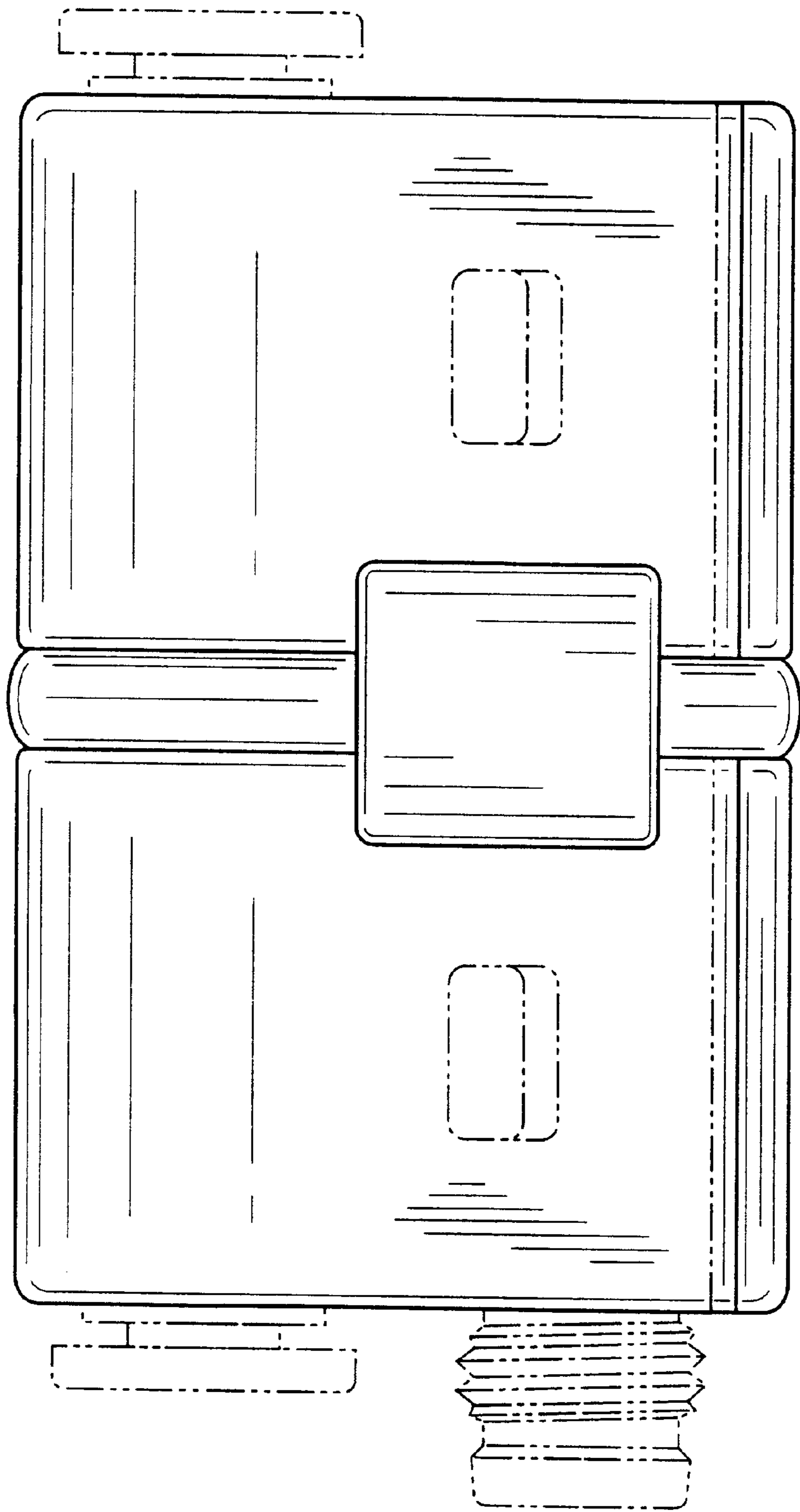


FIG. 3

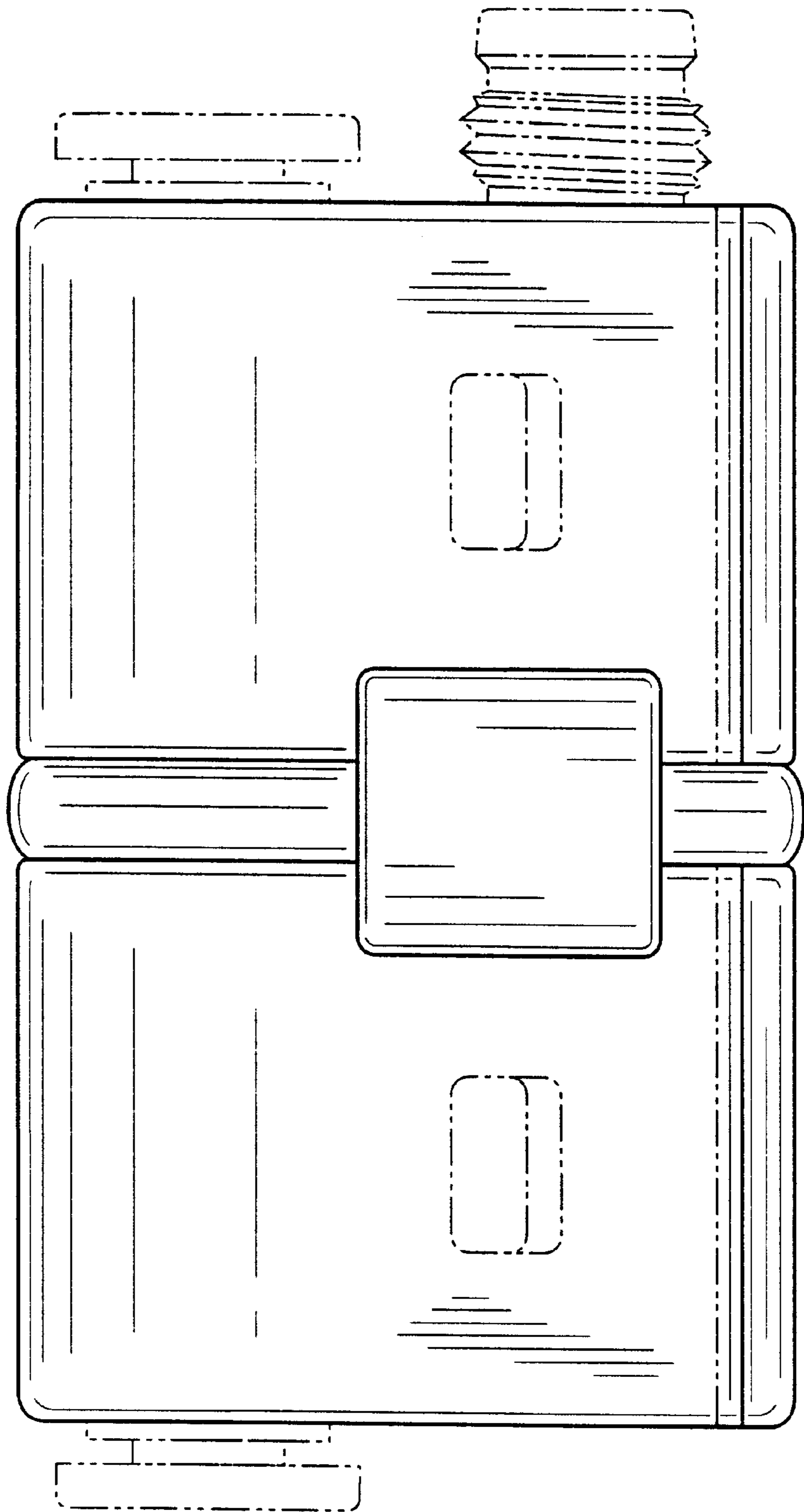


FIG. 4

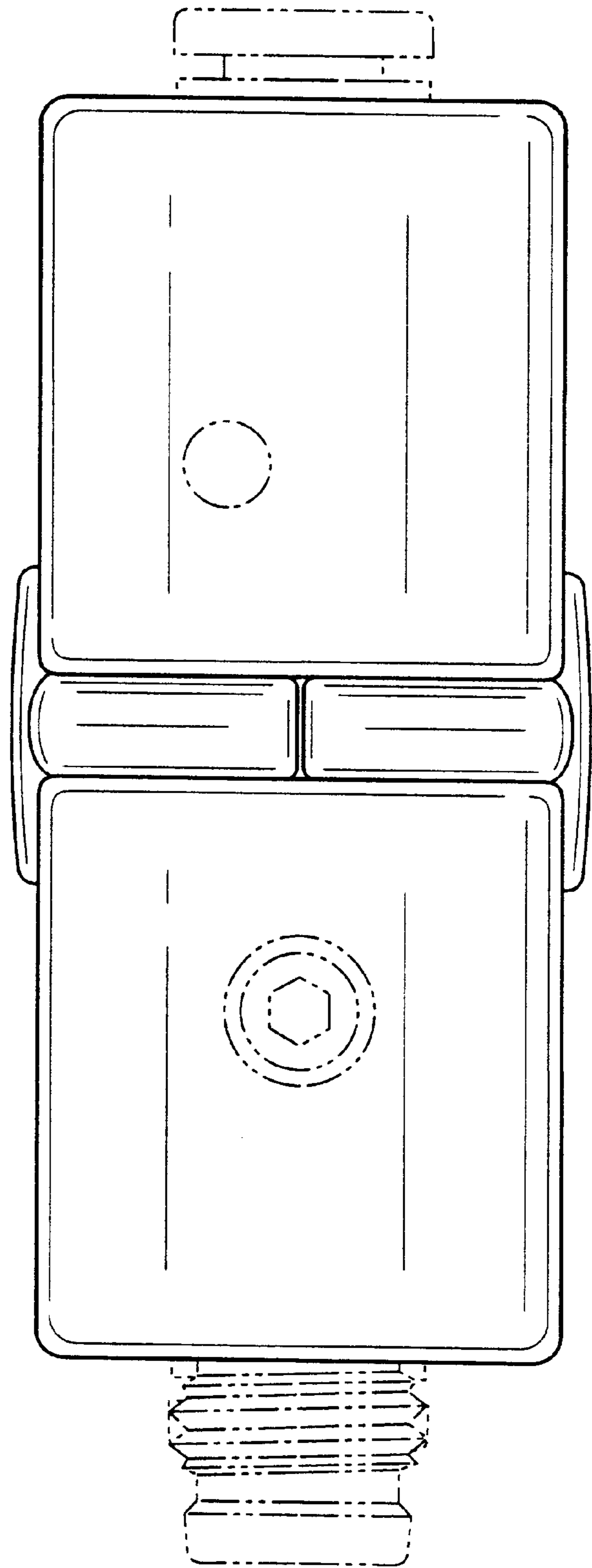


FIG. 5

FIG. 7

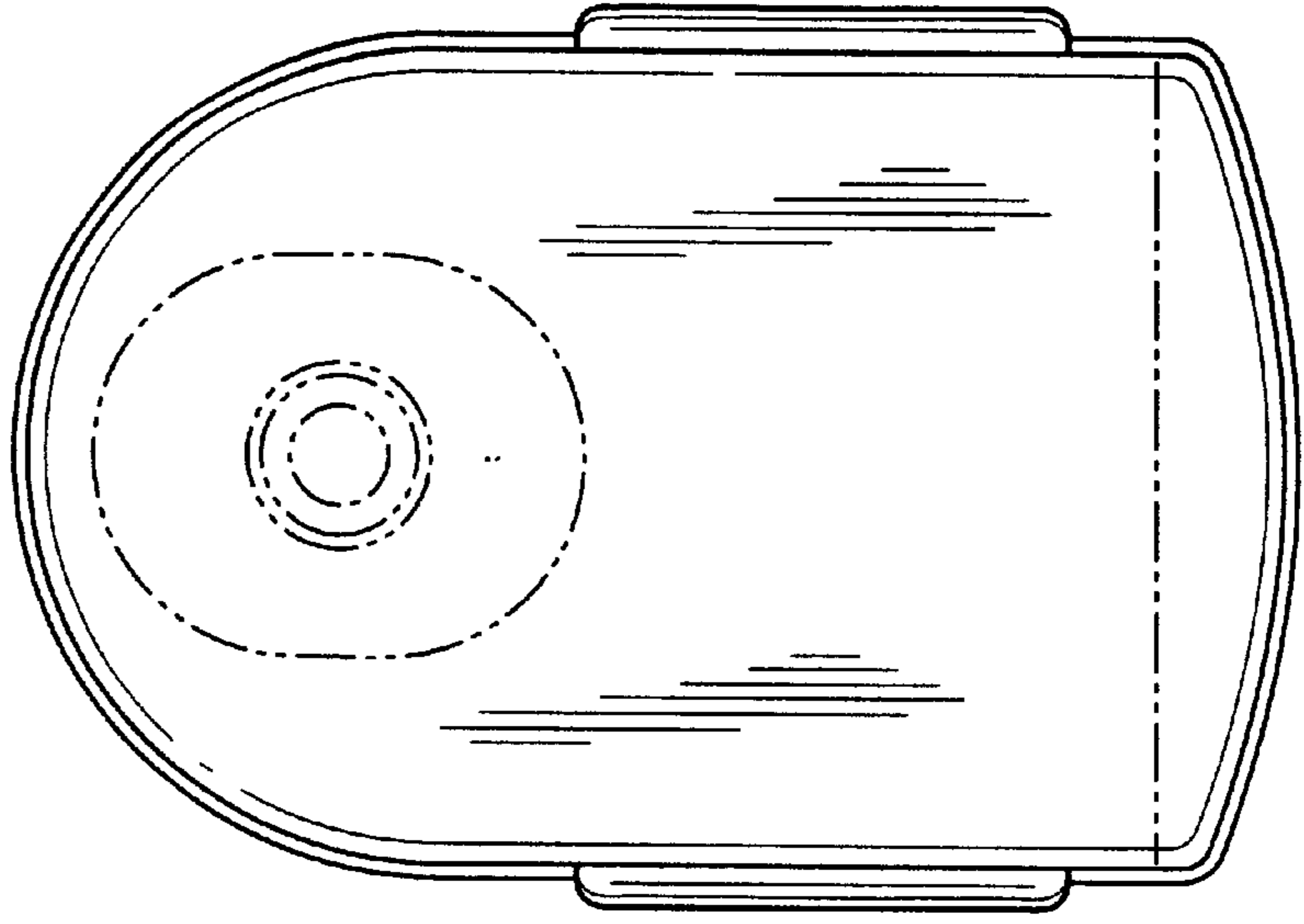


FIG. 6

