



US00D480650S

(12) **United States Design Patent**
Moore et al.

(10) **Patent No.:** **US D480,650 S**
(45) **Date of Patent:** **** Oct. 14, 2003**

(54) **BOTTLE**

(75) Inventors: **Shebrinia Moore**, Hampton, GA
(US); **Lesley S. Corker**, Atlanta, GA
(US); **Brian D. Tyree**, Douglasville,
GA (US); **Michael L. Vaughn**,
Marietta, GA (US)

(73) Assignee: **Ball Corporation**, Broomfield, CO
(US)

(**) Term: **14 Years**

(21) Appl. No.: **29/171,663**

(22) Filed: **Nov. 26, 2002**

(51) **LOC (7) Cl.** **09-01**

(52) **U.S. Cl.** **D9/540; D9/552**

(58) **Field of Search** D9/300, 500-502,
D9/516, 519-520, 530, 537-539, 541-543,
548-549, 551-552, 556-559, 564, 565,
567-570, 434; 215/379-383, 400

(56) **References Cited**

U.S. PATENT DOCUMENTS

D111,212 S * 9/1938 Meyer D9/552
D348,837 S * 7/1994 Feen D9/502

D396,640 S * 8/1998 Conrad et al. D9/502
D414,112 S 9/1999 Waggaman et al. D9/520
D417,156 S 11/1999 Veysiere D9/552
D423,940 S 5/2000 Chimetto D9/541
D424,948 S 5/2000 Ullmo D9/540
D463,292 S 9/2002 Del Bianco D9/560
D466,023 S * 11/2002 Eickmeier D9/552

* cited by examiner

Primary Examiner—Sandra L. Morris

(74) *Attorney, Agent, or Firm*—Brinks Hofer Gilson &
Lione

(57) **CLAIM**

We claim the ornamental design for a bottle, as shown and
described.

DESCRIPTION

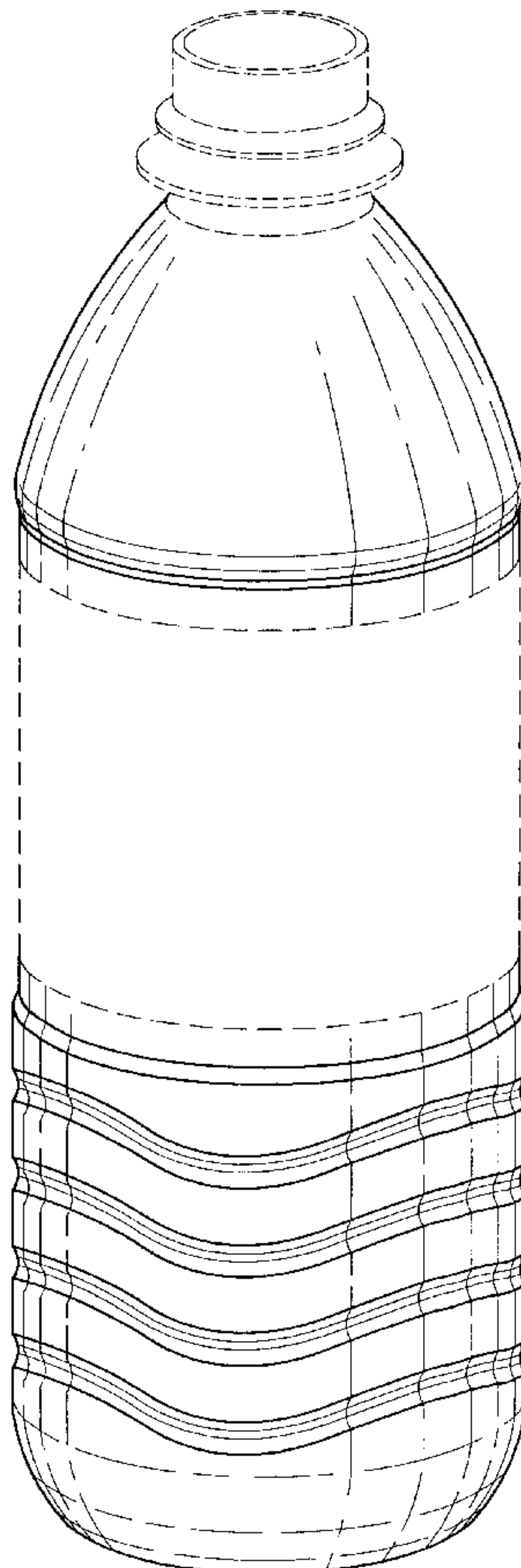
FIG. 1 is a side elevation view of a bottle showing the
present invention, the opposite side being identical, the
portions shown in phantom forming no portion of the
ornamental design.

FIG. 2 is a plan view from the top of FIG. 1.

FIG. 3 is a plan view from the bottom of FIG. 1; and,

FIG. 4 is an elevated perspective view of the bottle shown
in FIG. 1 rotated by about 45°.

1 Claim, 2 Drawing Sheets



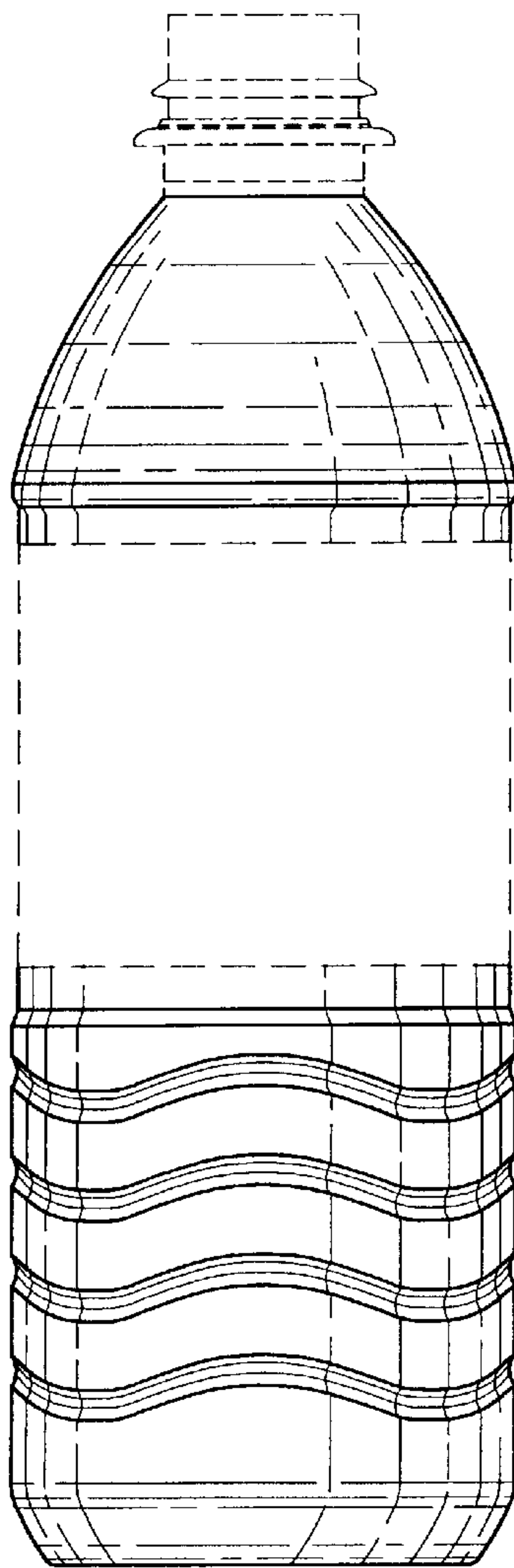


Fig. 1

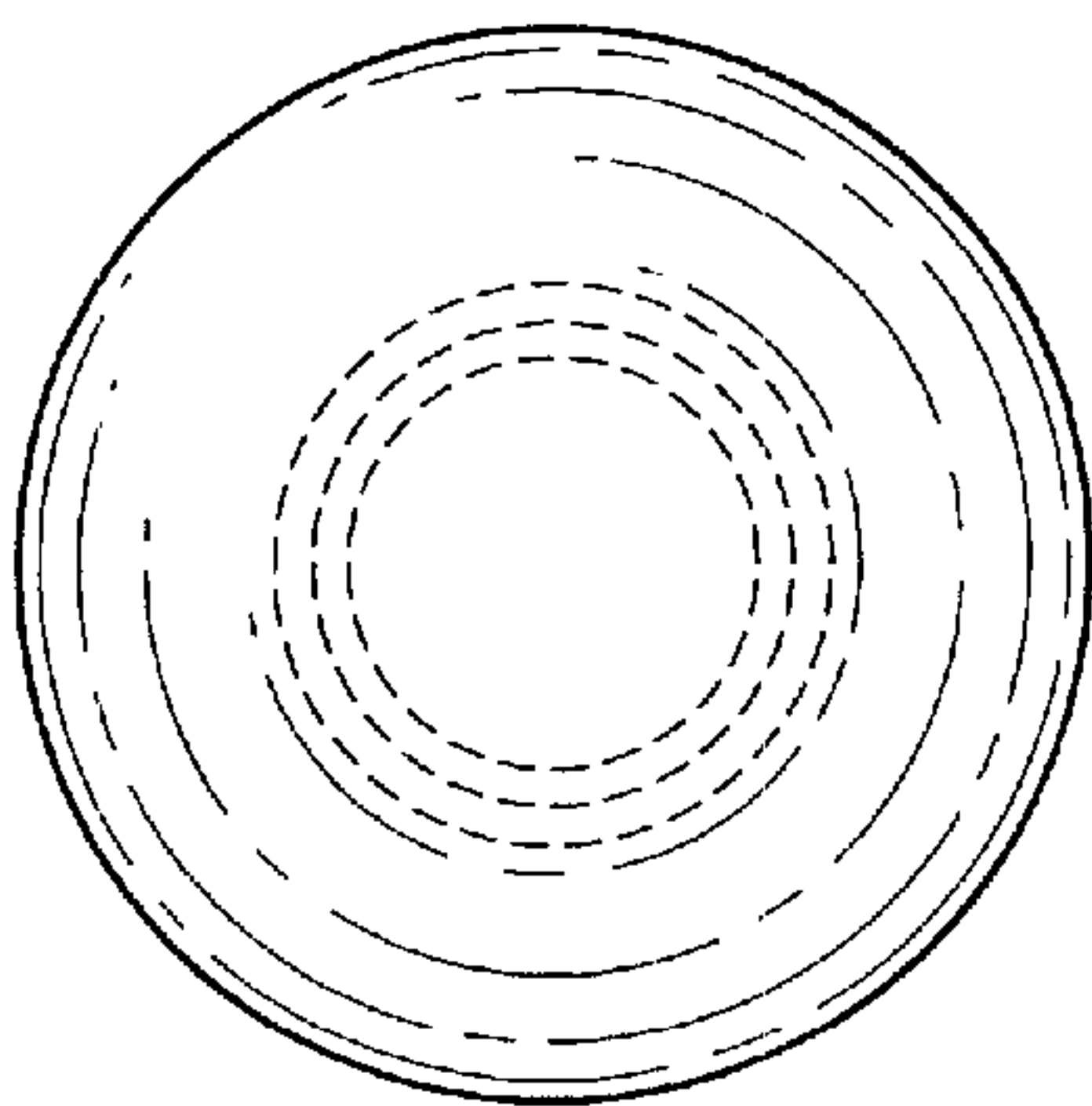


Fig. 2

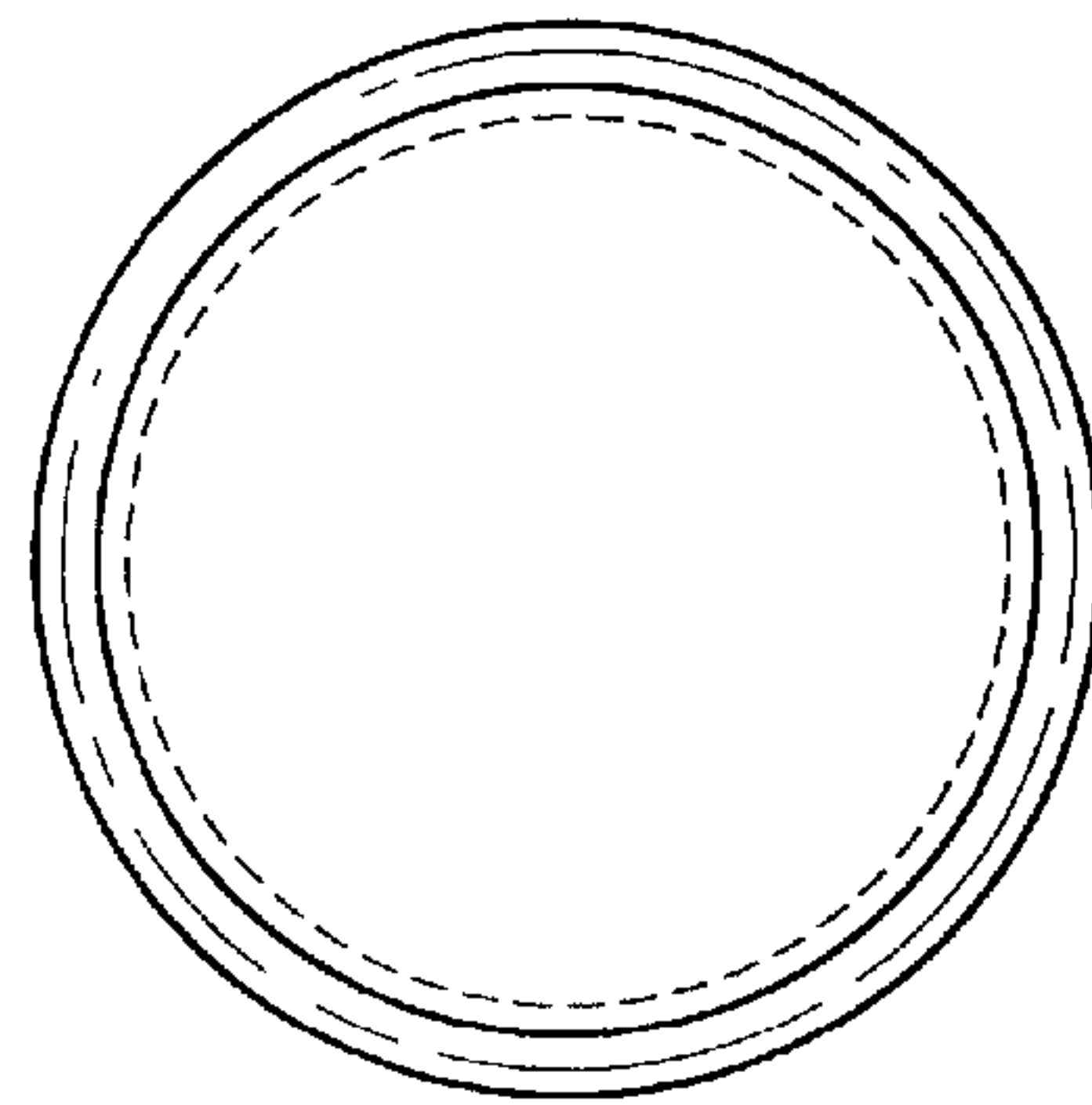


Fig. 3

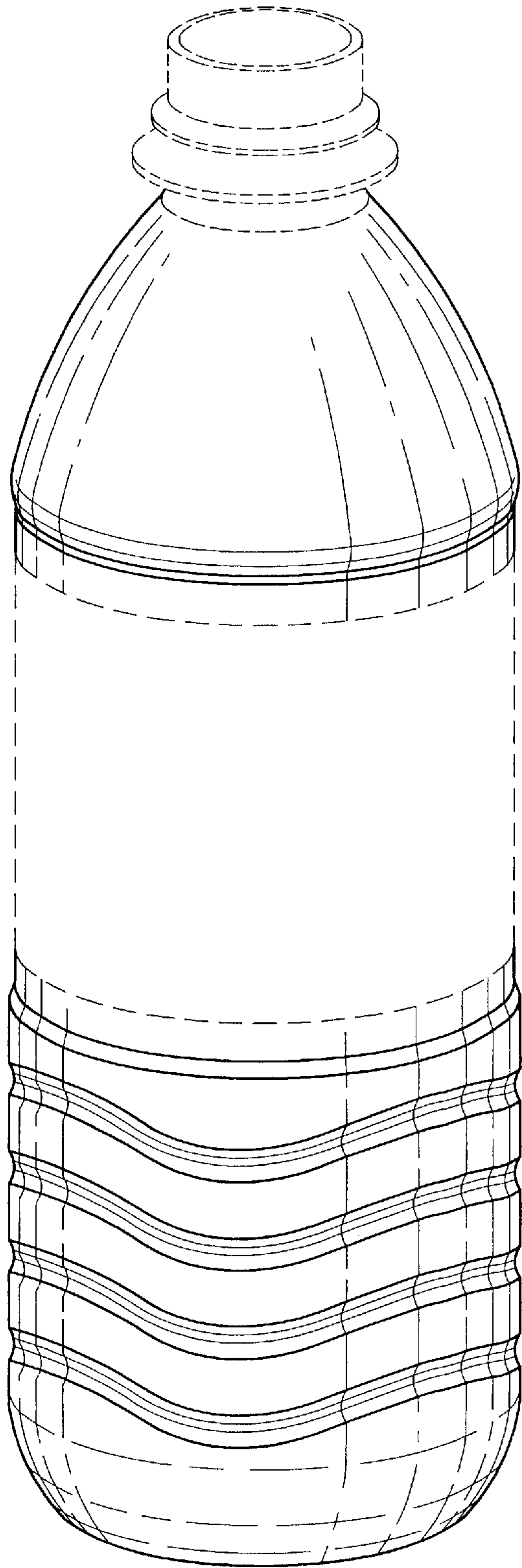


Fig. 4