



US00D480645S

(12) **United States Design Patent**
Putnam

(10) **Patent No.:** **US D480,645 S**

(45) **Date of Patent:** **** Oct. 14, 2003**

(54) **HANDHELD DEVICE FOR HOLDING
PLASTIC GROCERY BAGS**

(76) **Inventor:** **Jo Ann S. Putnam**, 20 Fairway Dr.,
Barrington, RI (US) 02806

(**) **Term:** **14 Years**

(21) **Appl. No.:** **29/172,763**

(22) **Filed:** **Dec. 16, 2002**

(51) **LOC (7) Cl.** **09-07**

(52) **U.S. Cl.** **D9/455; D9/434**

(58) **Field of Search** **D9/455, 434; D8/14,
D8/300, 315; 294/170, 171**

(56) **References Cited**

U.S. PATENT DOCUMENTS

D325,156 S	*	4/1992	Sweeny	D8/300
5,658,029 A	*	8/1997	Franko	294/171
D438,797 S	*	3/2001	Bozlee	D9/434
6,481,771 B1	*	11/2002	Friedman	294/171

* cited by examiner

Primary Examiner—Louis S. Zarfaz

Assistant Examiner—Gregory Andoll

(74) *Attorney, Agent, or Firm*—Robert J Doherty

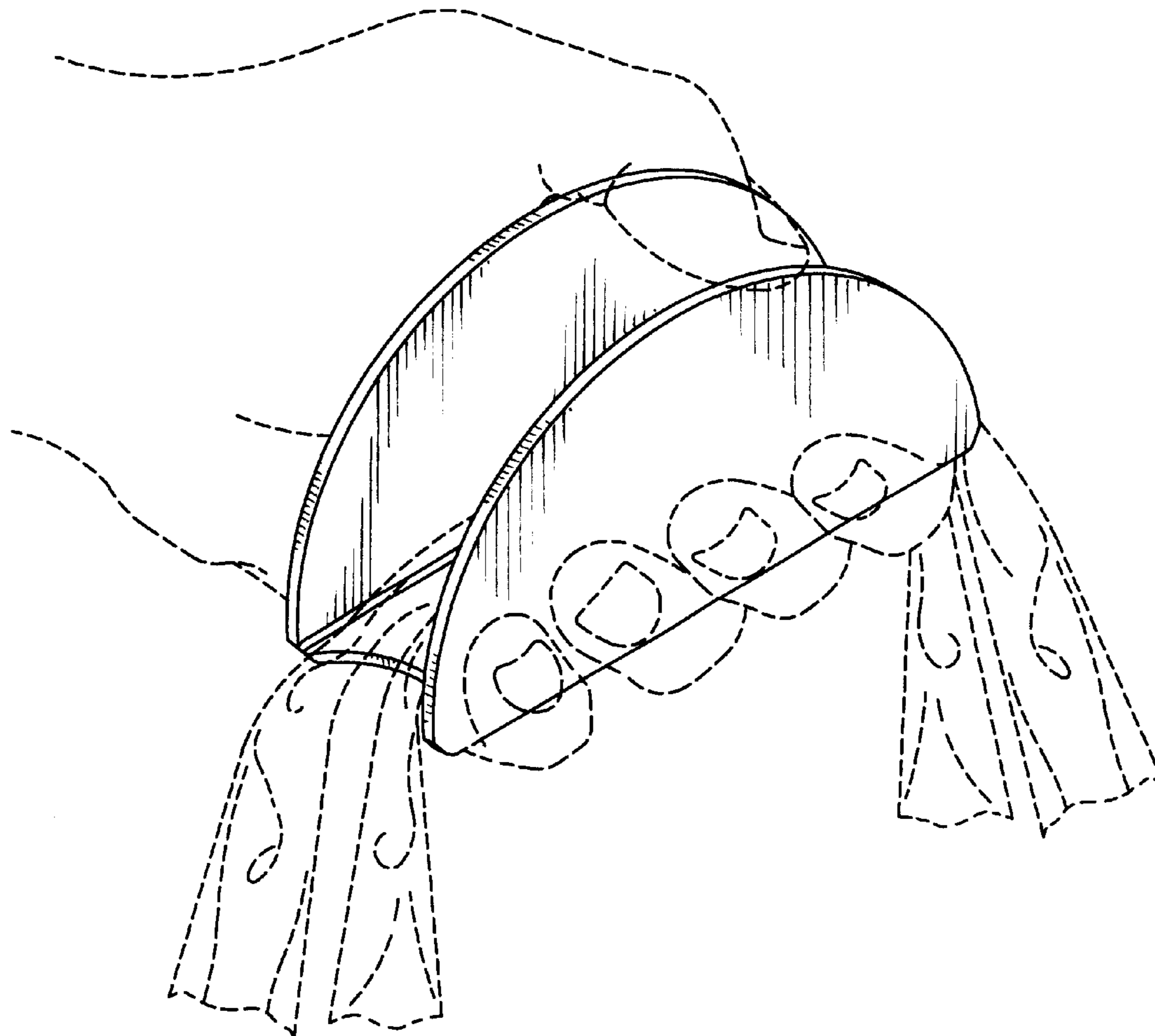
(57) **CLAIM**

The ornamental design for a handheld device for holding plastic grocery bags, as shown and described.

DESCRIPTION

FIG. 1 is a front perspective view of a handheld device for holding plastic grocery bags showing my new design; FIG. 2 is a front perspective on an enlarged scale thereof; FIG. 3 is a front elevational view thereof, the rear elevational view being the mirror image thereof; FIG. 4 is a top plan view thereof; FIG. 5 is a bottom plan view thereof; and, FIG. 6 is a left side elevational view, the right side elevational view being the mirror image thereof. The dotted line showing of a hand and portions of the handles of a plastic grocery bag in FIG. 1 are for information only and form no part of the claimed design.

1 Claim, 3 Drawing Sheets



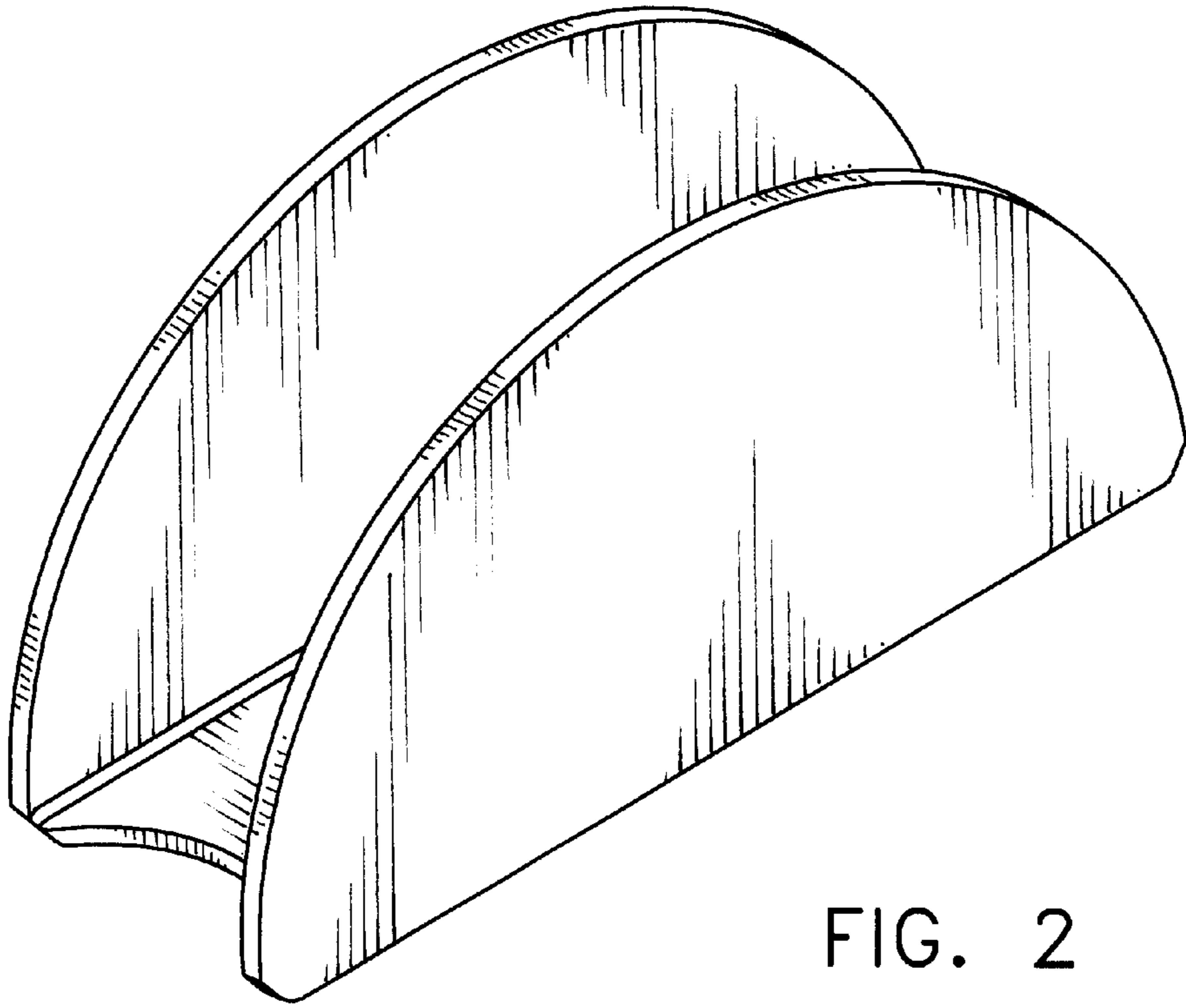


FIG. 2

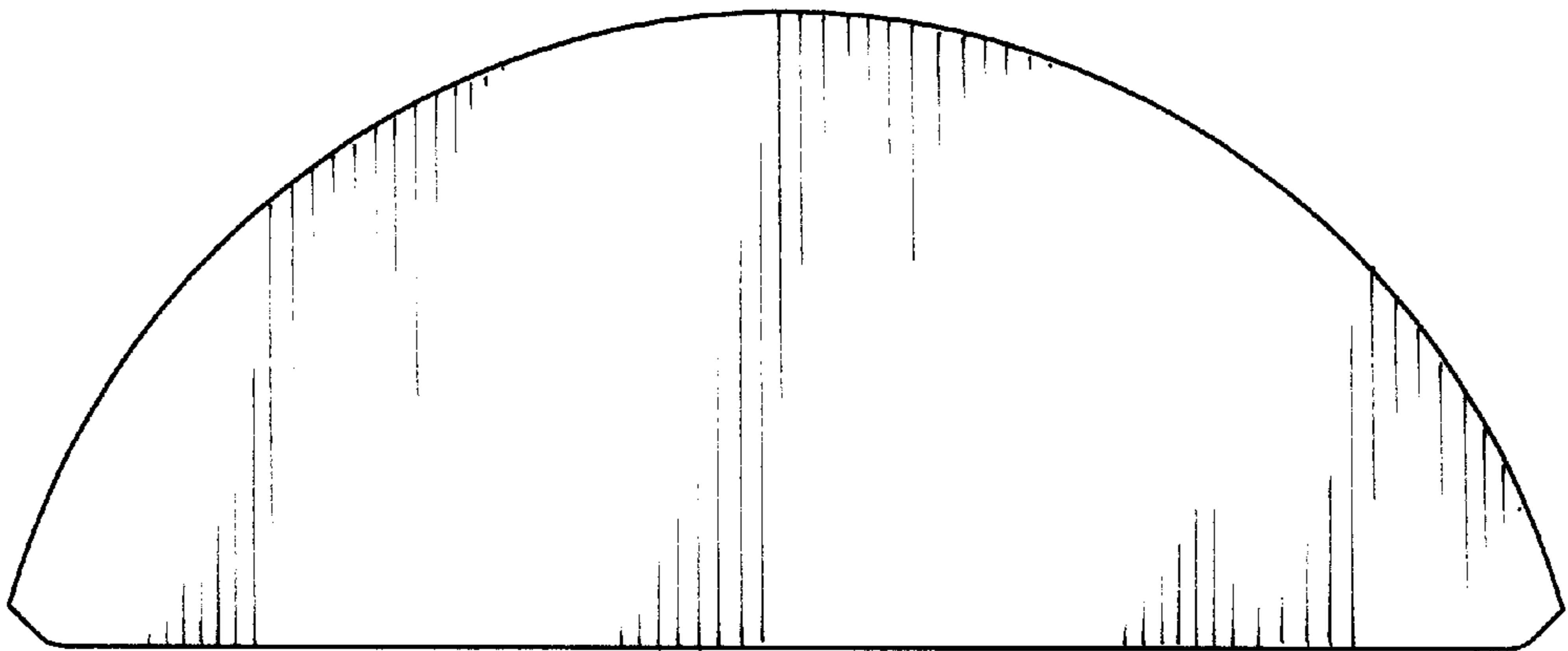


FIG. 3

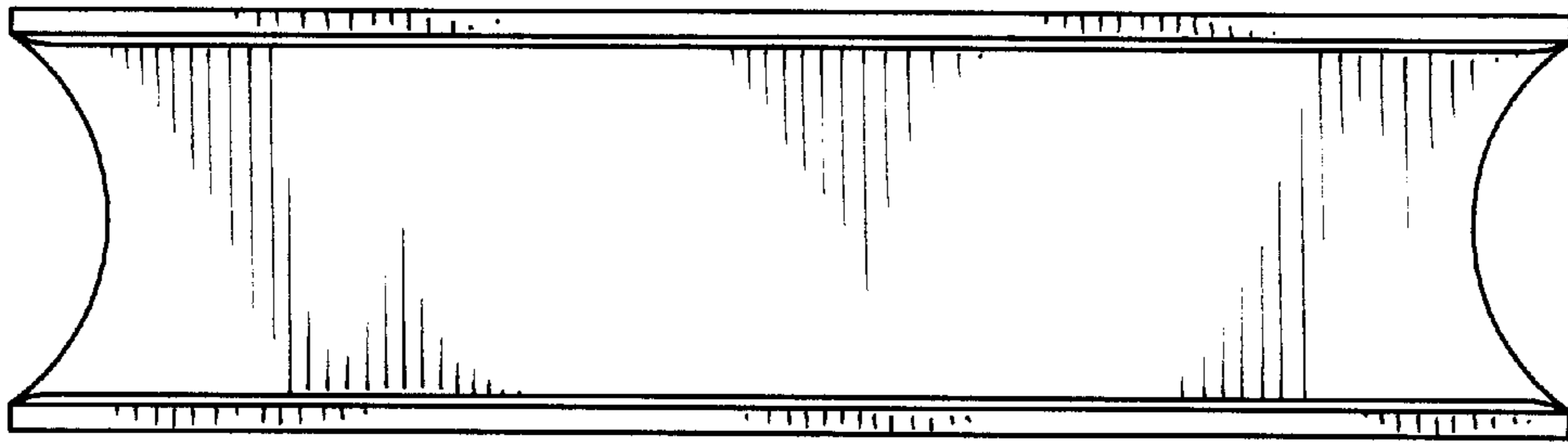


FIG. 4

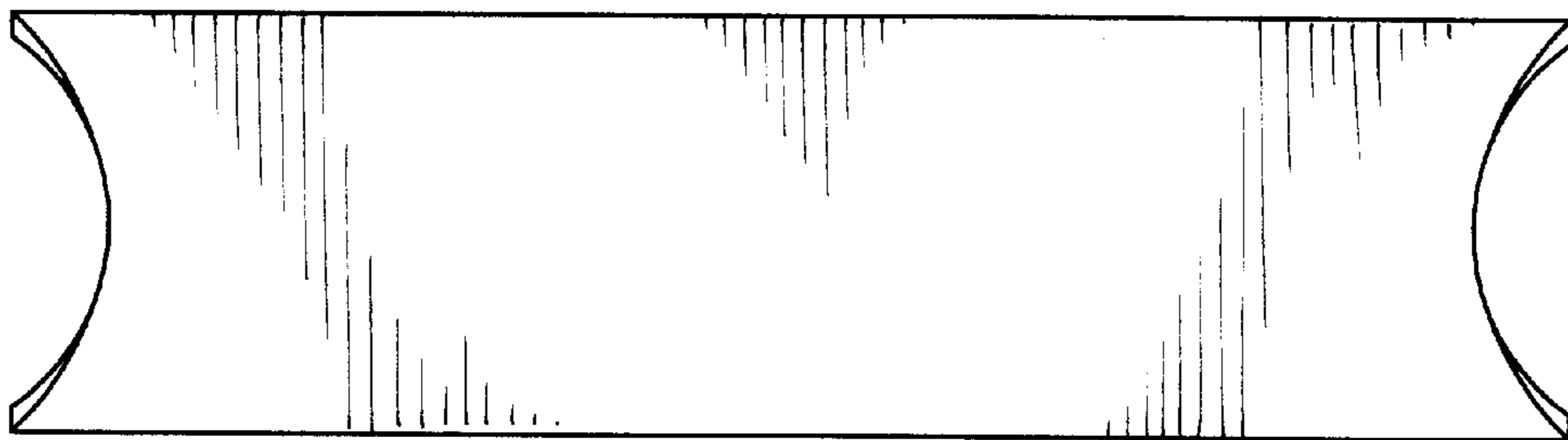


FIG. 5

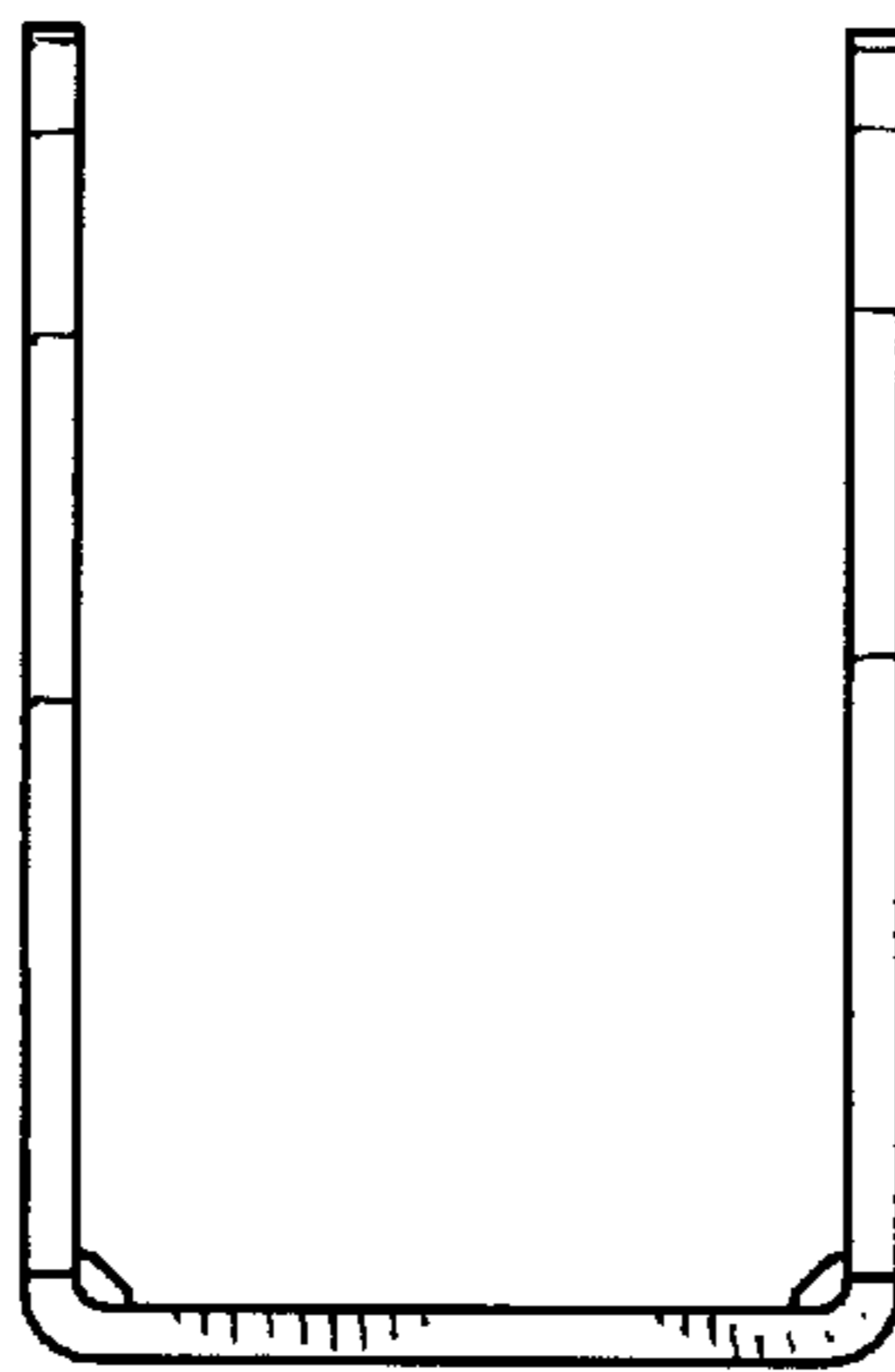


FIG. 6

UNITED STATES PATENT AND TRADEMARK OFFICE
CERTIFICATE OF CORRECTION

PATENT NO. : Des. 480,645 S
DATED : October 14, 2003
INVENTOR(S) : Putnam

Page 1 of 1

It is certified that error appears in the above-identified patent and that said Letters Patent is hereby corrected as shown below:

Title page,

Item [75], Inventor, should read -- **Jo Ann S. Putnam Scholes** --

Signed and Sealed this

Twentieth Day of April, 2004

A handwritten signature in black ink that reads "Jon W. Dudas". The signature is written in a cursive style with a large, looped initial "J".

JON W. DUDAS
Acting Director of the United States Patent and Trademark Office