



US00D480643S

(12) **United States Design Patent**
Dretzka

(10) **Patent No.:** **US D480,643 S**

(45) **Date of Patent:** **** Oct. 14, 2003**

(54) **PUMP**

D470,750 S * 2/2003 Yang D9/300

(75) Inventor: **Philip C. Dretzka**, Cleveland Heights, OH (US)

* cited by examiner

(73) Assignee: **InterDesign, Inc.**, Solon, OH (US)

Primary Examiner—Louis S. Zarfes

Assistant Examiner—Gregory Andoll

(**) Term: **14 Years**

(74) *Attorney, Agent, or Firm*—D. Peter Hochberg; Katherine R. Vieyra; Sean Mellino

(21) Appl. No.: **29/175,623**

(57) **CLAIM**

(22) Filed: **Feb. 6, 2003**

The ornamental design for a pump, as shown and described.

(51) **LOC (7) Cl.** **09-07**

DESCRIPTION

(52) **U.S. Cl.** **D9/448; D9/435**

FIG. 1 is a perspective view of a pump embodying this invention;

(58) **Field of Search** D9/300, 448, 435; 222/153.13, 384, 321.9, 383.1, 382, 385, 321.7

FIG. 2 is a top view of the pump shown in FIG. 1;

FIG. 3 is a left side elevation view of the pump shown in FIG. 1;

(56) **References Cited**

U.S. PATENT DOCUMENTS

D98,976 S	*	3/1936	Bernhardt	D9/448
D320,348 S	*	10/1991	Law	D9/435
D366,834 S	*	2/1996	Reid	D9/300
6,230,942 B1	*	5/2001	Kuo	222/321.9
6,419,125 B1	*	7/2002	Kim	222/321.9
D470,043 S	*	2/2003	Crawford	D9/300

FIG. 4 is a front view of the pump shown in FIG. 1;

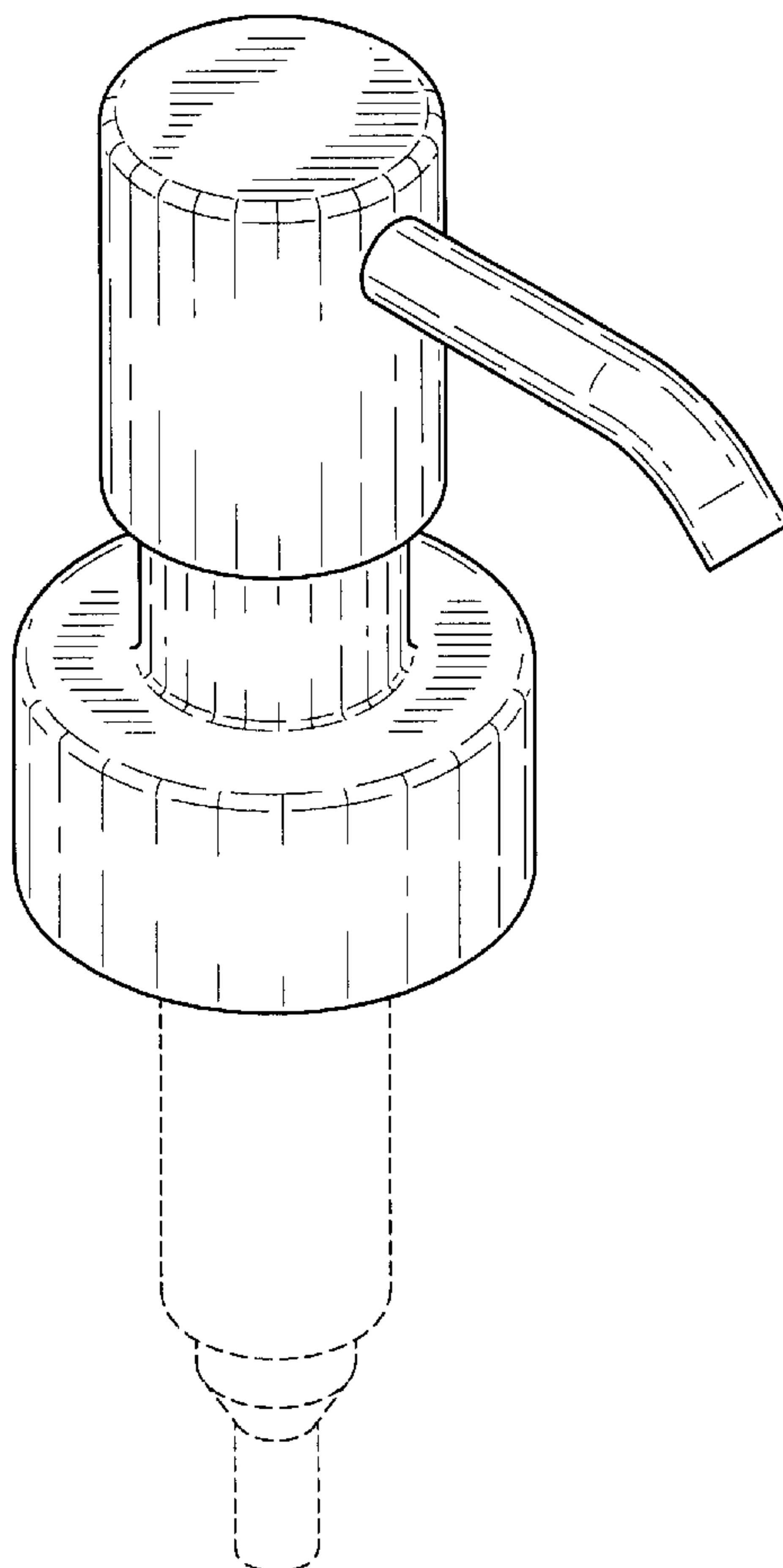
FIG. 5 is a right side elevation view of the pump shown in FIG. 1;

FIG. 6 is a rear view of the pump shown in FIG. 1; and,

FIG. 7 is a bottom view of the pump shown in FIG. 1.

The broken lines in the Figures are for illustrative purposes only and form no part of the claimed design.

1 Claim, 3 Drawing Sheets



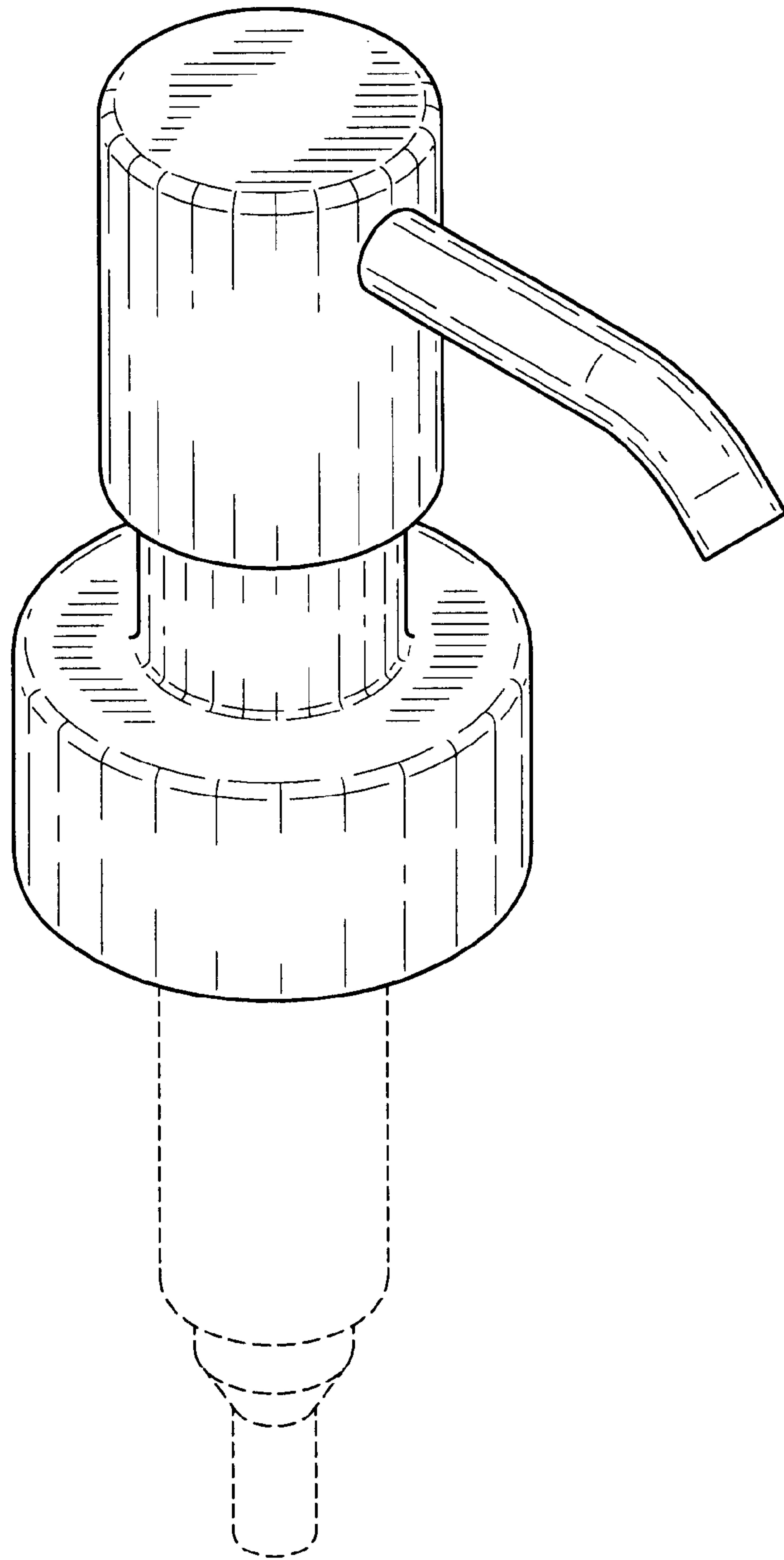


FIG-1

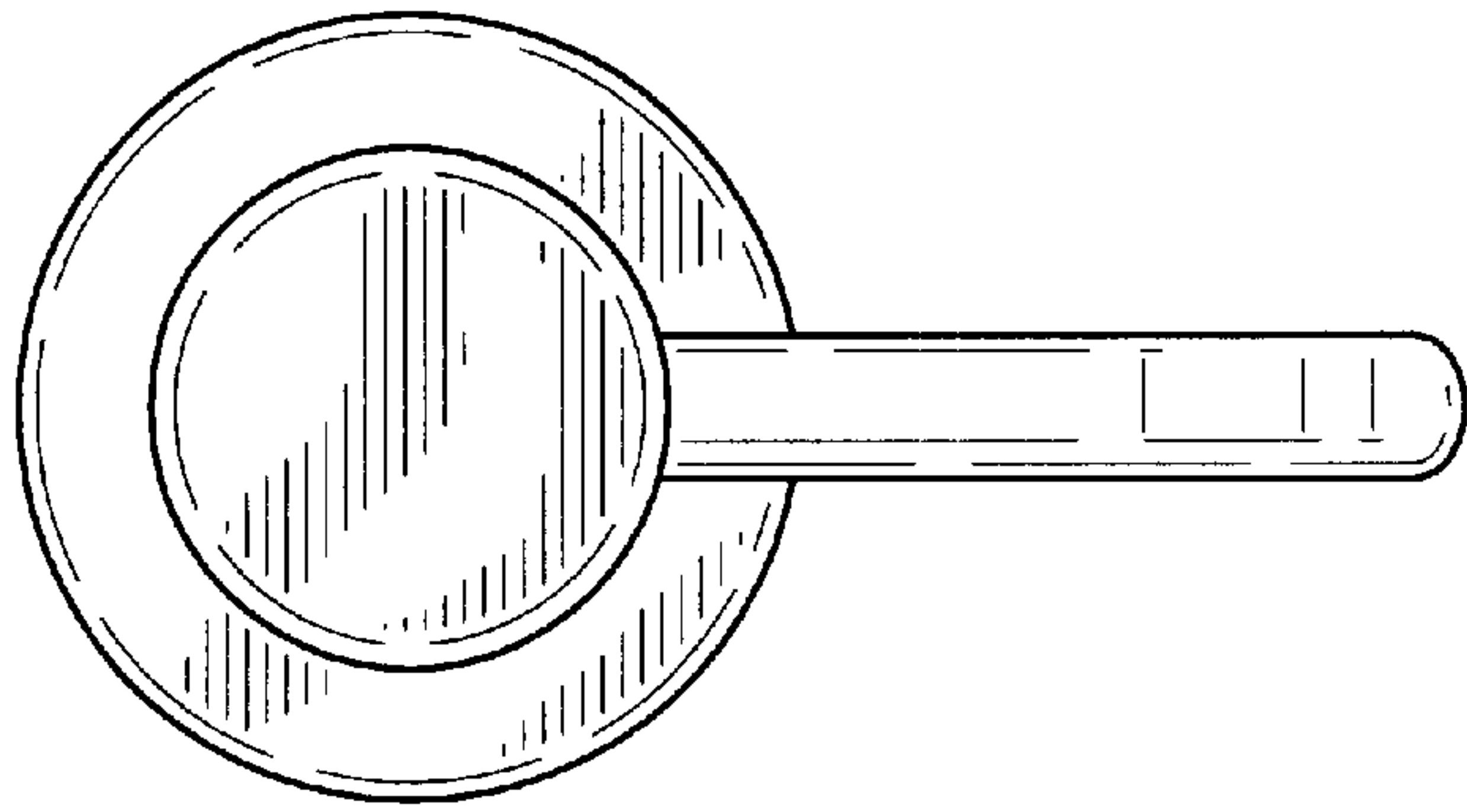


FIG-2

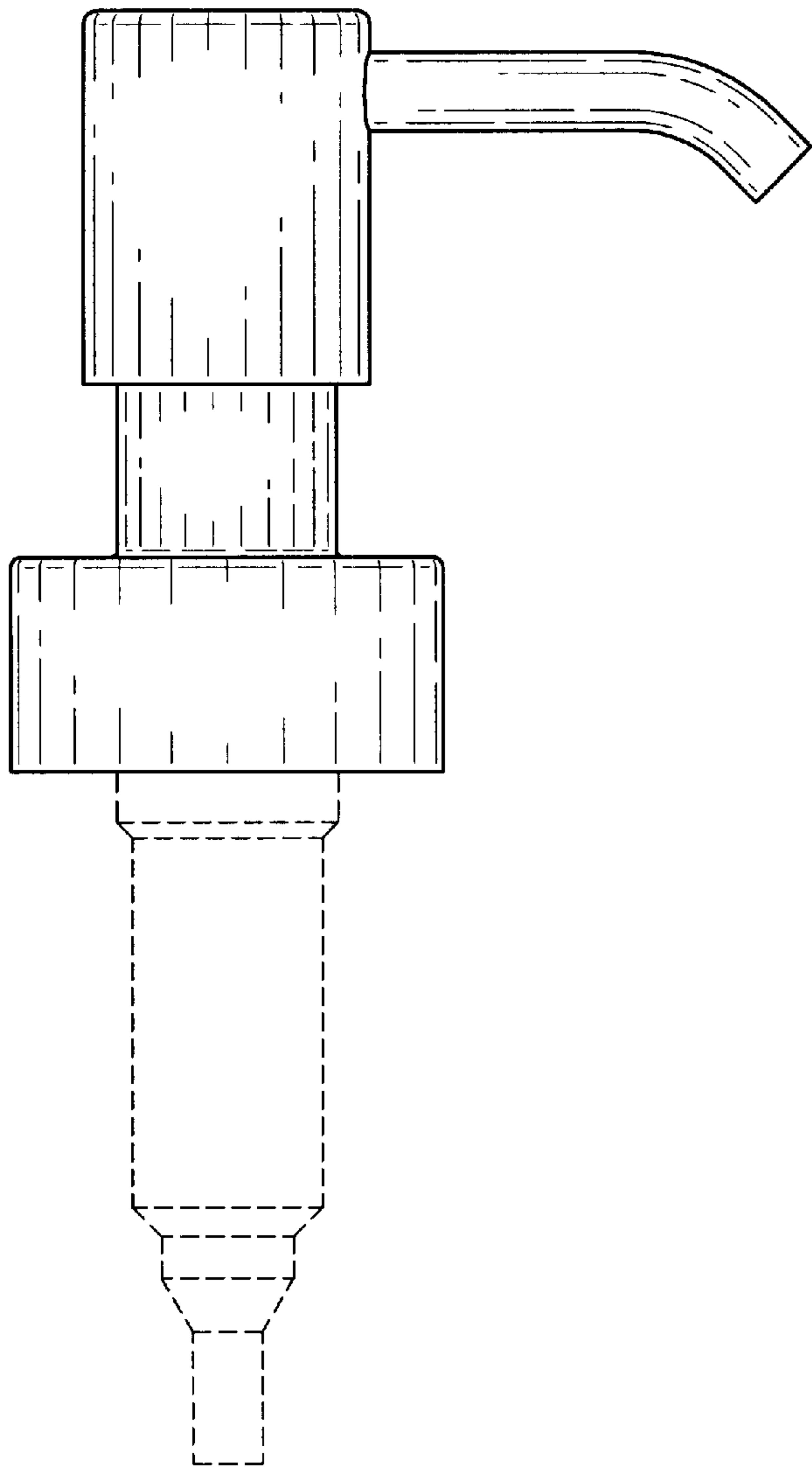


FIG-3

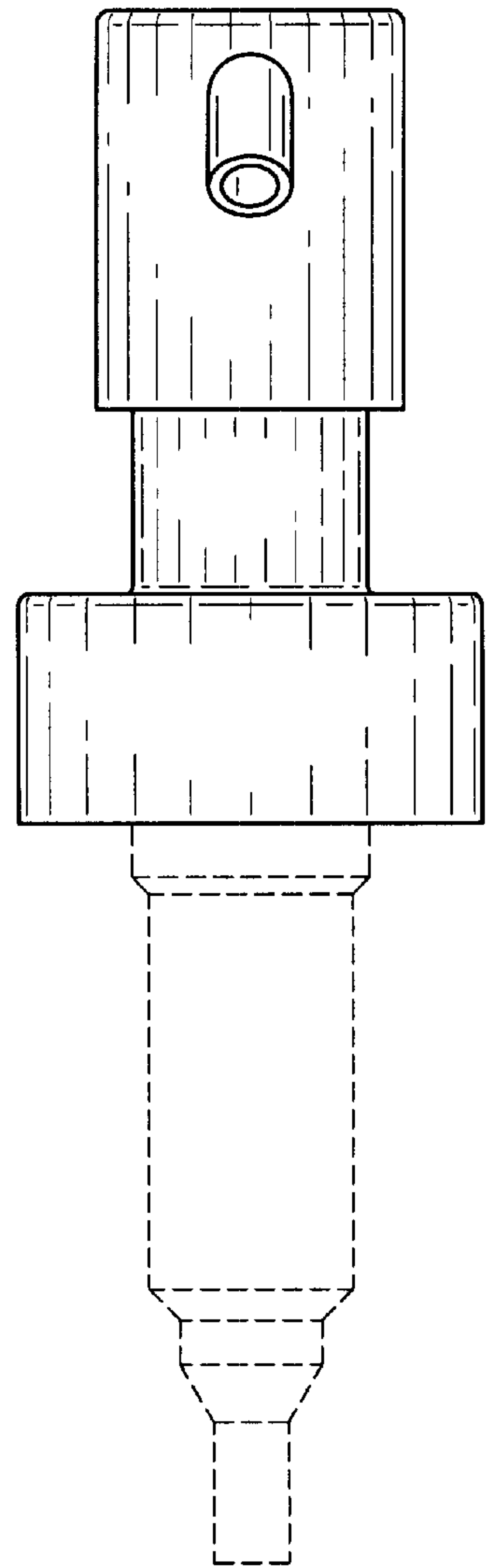


FIG-4

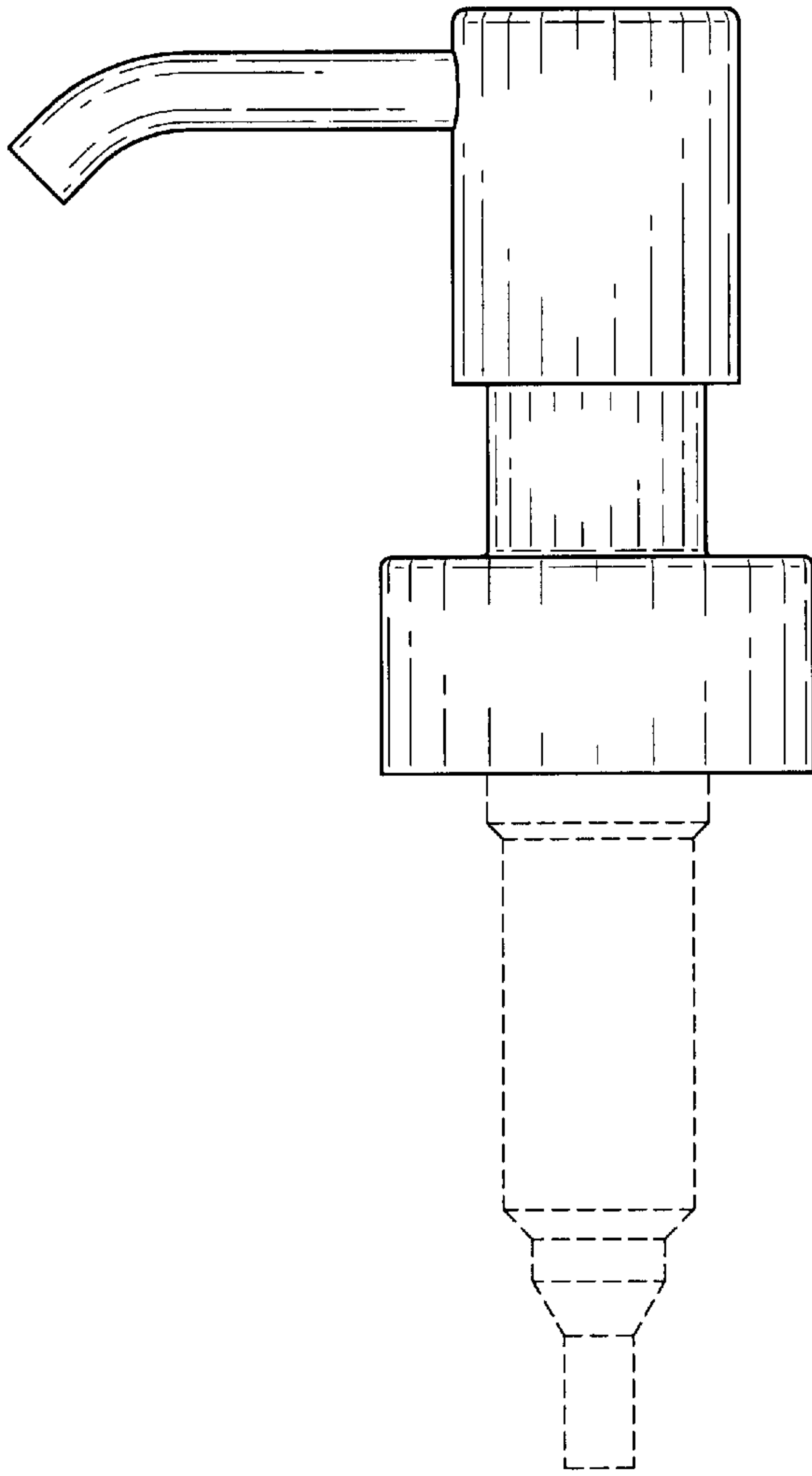


FIG-5

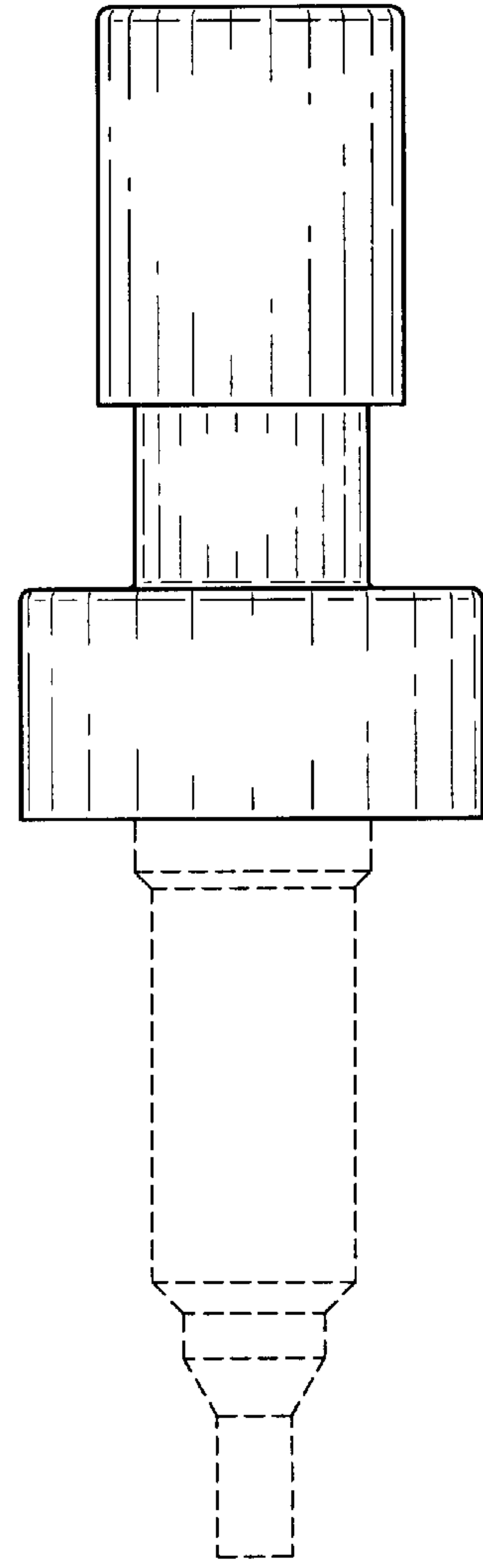


FIG-6

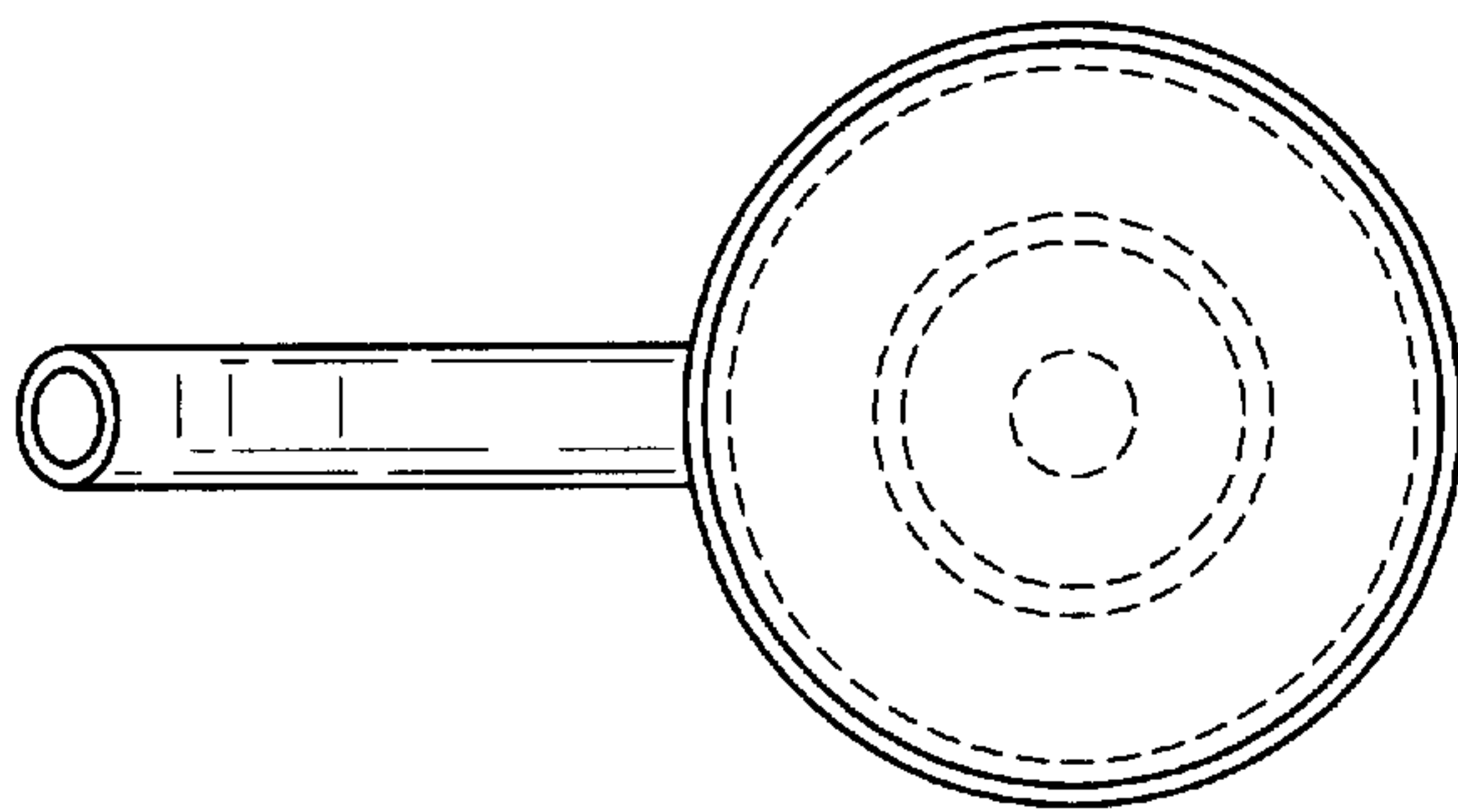


FIG-7