



US00D480642S

(12) **United States Design Patent**  
**Dretzka**

(10) **Patent No.:** **US D480,642 S**

(45) **Date of Patent:** **\*\* Oct. 14, 2003**

(54) **DISPENSER PUMP HEAD**

D470,750 S \* 2/2003 Yang ..... D9/300

(75) Inventor: **Philip C. Dretzka**, Cleveland Heights, OH (US)

\* cited by examiner

(73) Assignee: **InterDesign, Inc.**, Solon, OH (US)

*Primary Examiner*—Louis S. Zarfes

*Assistant Examiner*—Gregory Andoll

(\*\*) Term: **14 Years**

(74) *Attorney, Agent, or Firm*—D. Peter Hochberg; Katherine R. Vieyra; Sean Mellino

(21) Appl. No.: **29/175,501**

(57) **CLAIM**

(22) Filed: **Feb. 5, 2003**

The ornamental design for a dispenser pump head, as shown and described.

(51) **LOC (7) Cl.** ..... **09-02**

**DESCRIPTION**

(52) **U.S. Cl.** ..... **D9/448; D9/435**

(58) **Field of Search** ..... D9/300, 448, 435; 222/153.13, 384, 321.9, 383.1, 382, 385, 321.2

FIG. 1 is a perspective view of a dispenser pump head embodying this invention;

FIG. 2 is a top view of the pump head shown in FIG. 1;

FIG. 3 is a left side elevation view of the pump head shown in FIG. 1;

FIG. 4 is a front view of the pump head shown in FIG. 1;

FIG. 5 is a right side elevation view of the pump head shown in FIG. 1;

FIG. 6 is a rear view of the pump head shown in FIG. 1; and,

FIG. 7 is a bottom view of the pump head shown in FIG. 1.

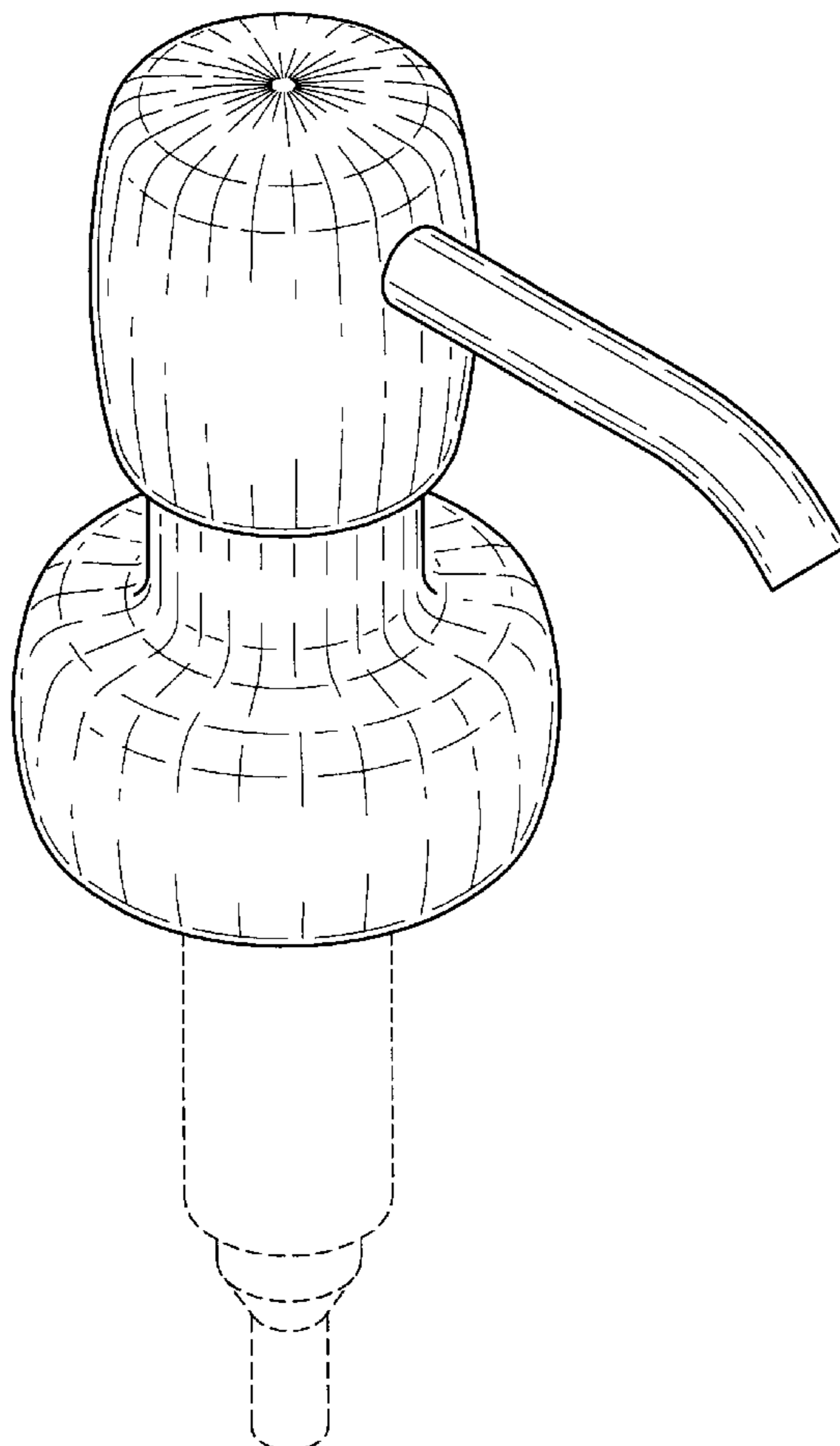
The broken lines in the Figures are for illustrative purposes only and form no part of the claimed design.

(56) **References Cited**

**U.S. PATENT DOCUMENTS**

D98,976 S	*	3/1936	Bernhardt	.....	D9/448
D320,348 S	*	10/1991	Law	.....	D9/435
D366,834 S	*	2/1996	Reid	.....	D9/300
6,230,942 B1	*	5/2001	Kuo	.....	222/321.9
6,419,125 B1	*	7/2002	Kim	.....	222/321.9
D470,043 S	*	2/2003	Crawford	.....	D9/300

**1 Claim, 3 Drawing Sheets**



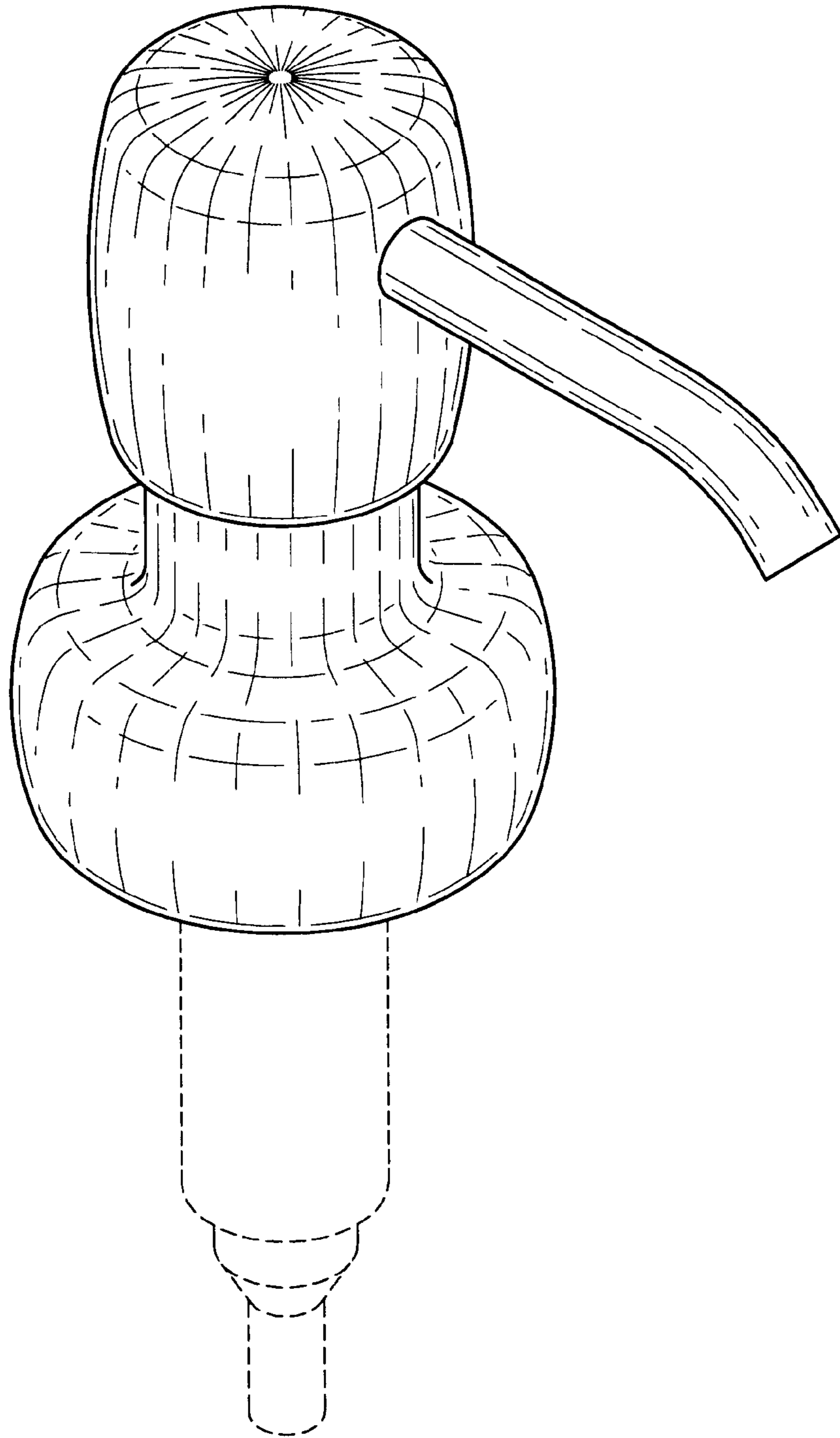


FIG-1

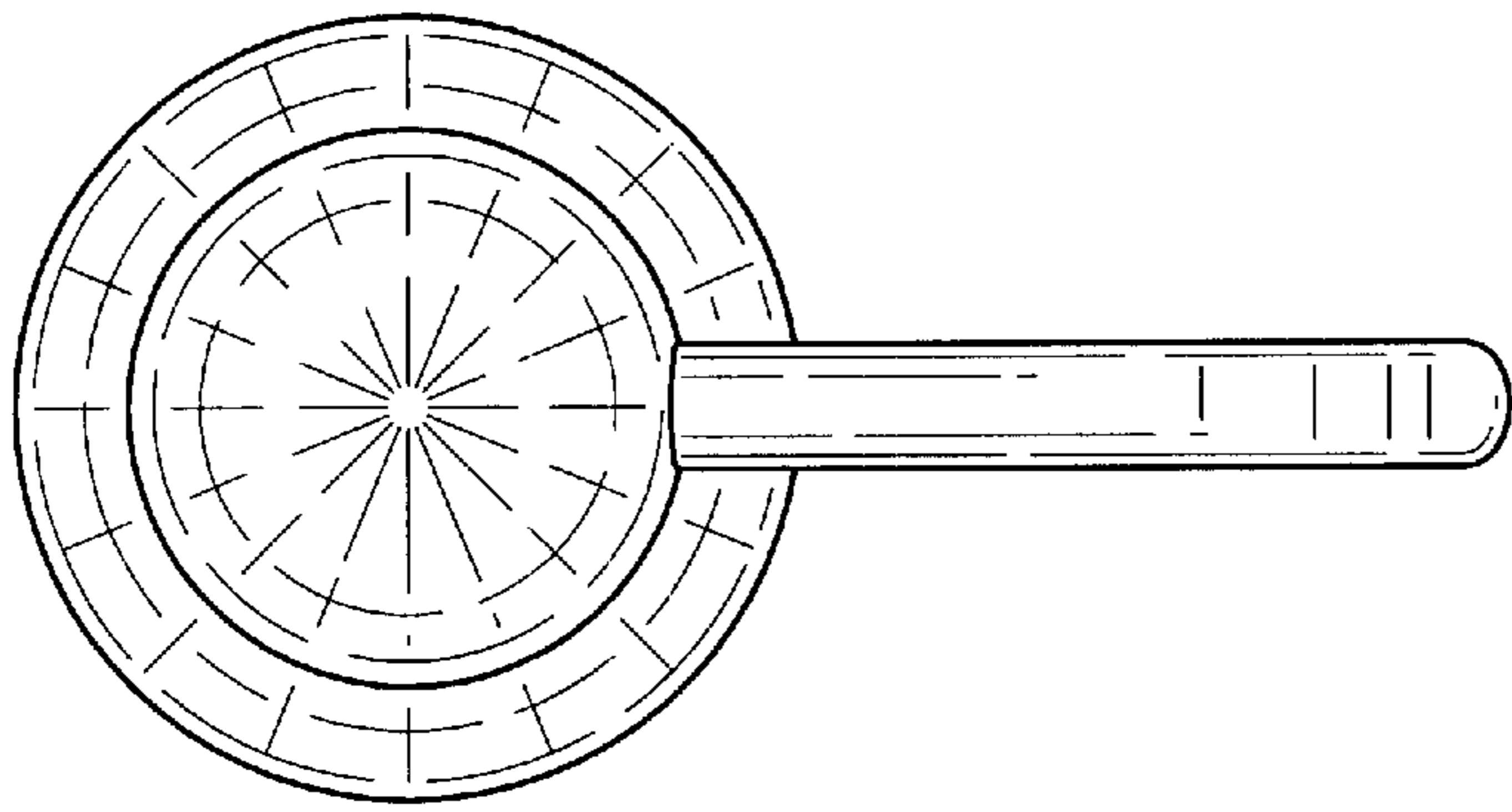


FIG-2

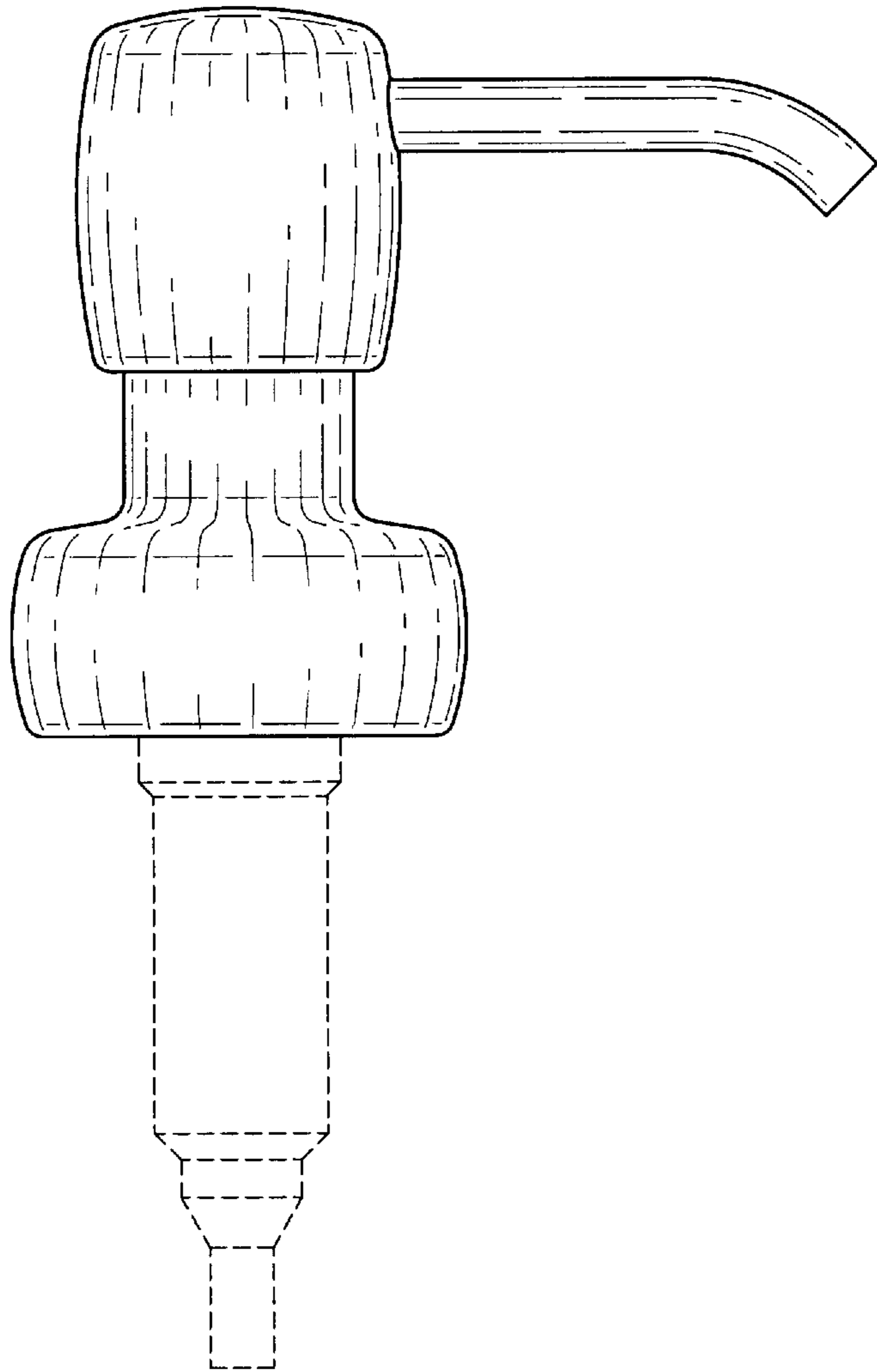


FIG-3

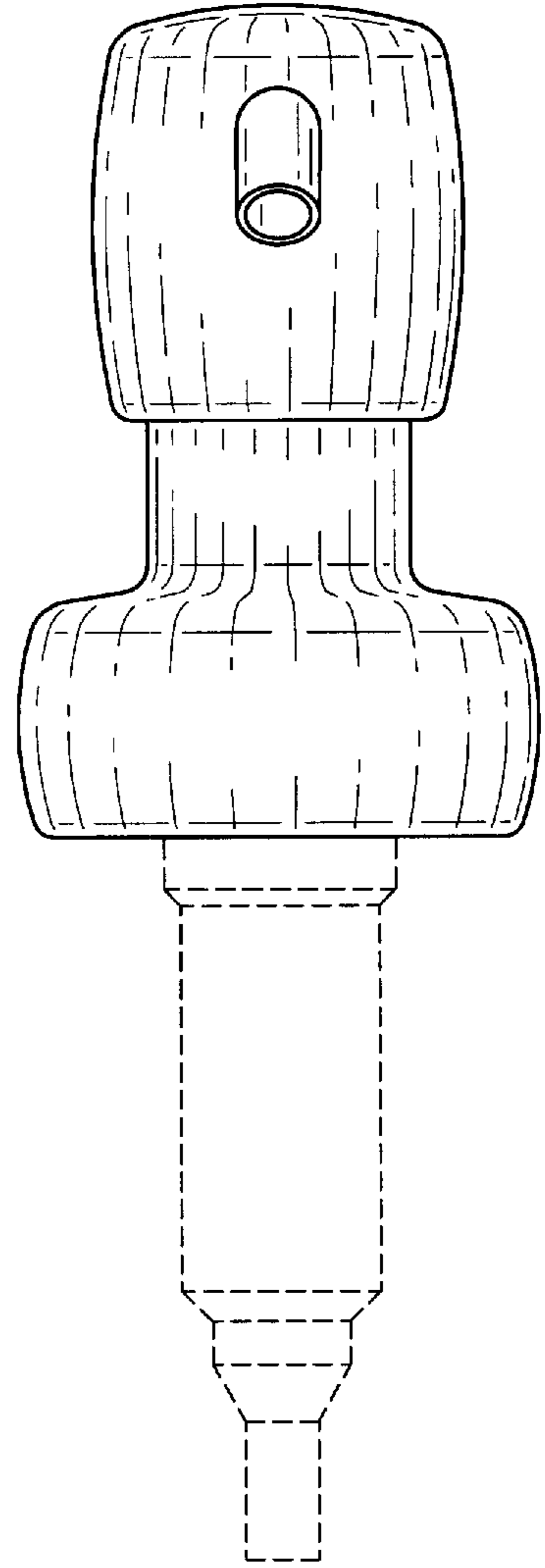


FIG-4

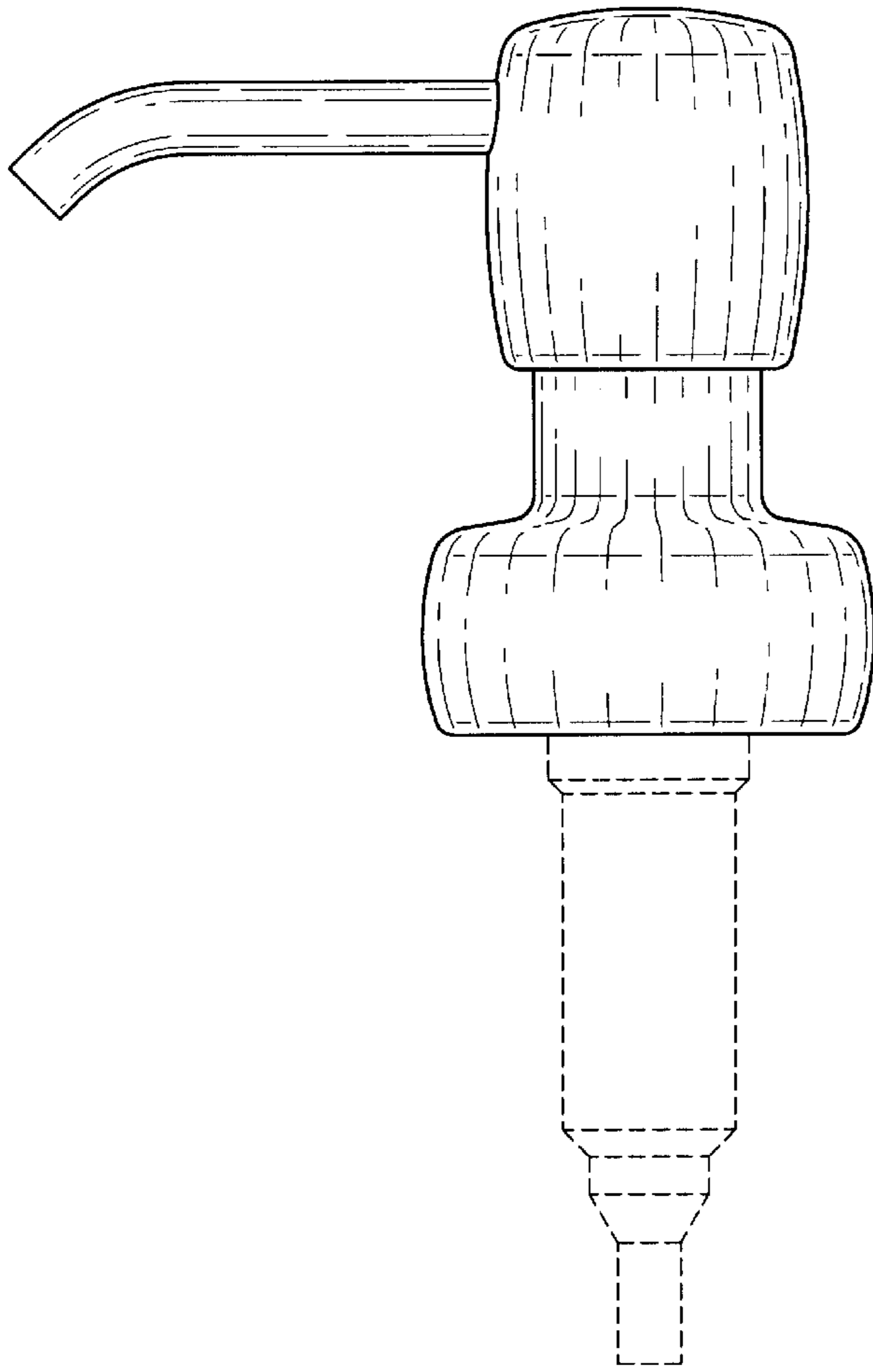


FIG-5

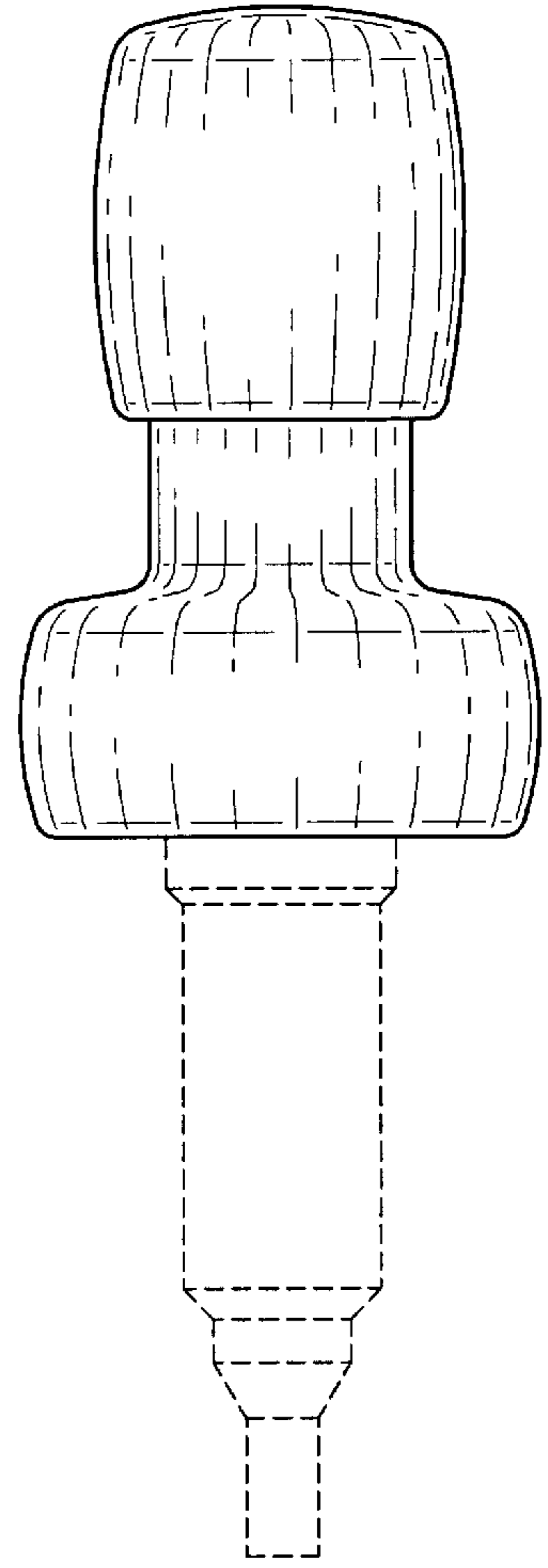


FIG-6

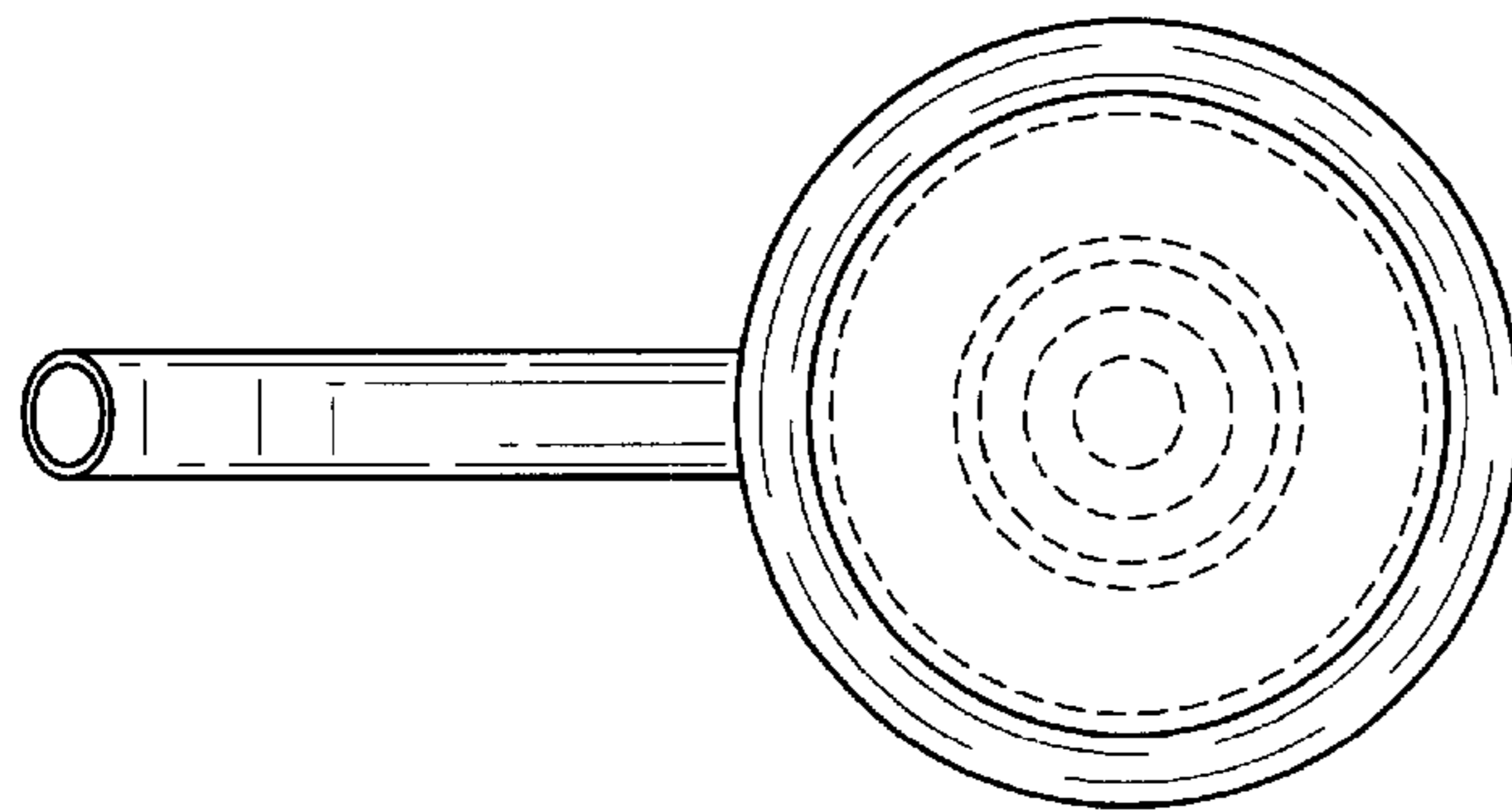


FIG-7