



US00D480639S

(12) **United States Design Patent**
Ciavarella et al.

(10) **Patent No.:** **US D480,639 S**

(45) **Date of Patent:** **** Oct. 14, 2003**

(54) **SECURITY COLLAR FOR A CONTAINER CLOSURE**

(75) Inventors: **Nick E. Ciavarella**, Seven Hills, OH (US); **David Hayes**, Wooster, OH (US)

(73) Assignee: **Joseph S. Kanfer**, Richfield, OH (US)

(**) Term: **14 Years**

(21) Appl. No.: **29/164,452**

(22) Filed: **Jul. 25, 2002**

(51) **LOC (7) Cl.** **04-07**

(52) **U.S. Cl.** **D9/434; D9/445; D9/499**

(58) **Field of Search** **215/273-292, 215/901; D9/434, 435, 445, 499**

(56) **References Cited**

U.S. PATENT DOCUMENTS

615,453 A	*	12/1898	Hipkins, Jr.	215/274
732,655 A	*	6/1903	Suanders	215/274
4,742,927 A	*	5/1988	Tierney et al.	215/274
D342,897 S	*	1/1994	Cochrane	D9/435

* cited by examiner

Primary Examiner—Stella Reid
Assistant Examiner—Gregory Andoll
(74) *Attorney, Agent, or Firm*—Reese Taylor

(57) **CLAIM**

We claim the ornamental design for a security collar for a container closure, as shown and described.

DESCRIPTION

FIG. 1 is a perspective view showing a security collar for container closure.

FIG. 2 is a top plan view thereof.

FIG. 3 is a front elevational view thereof.

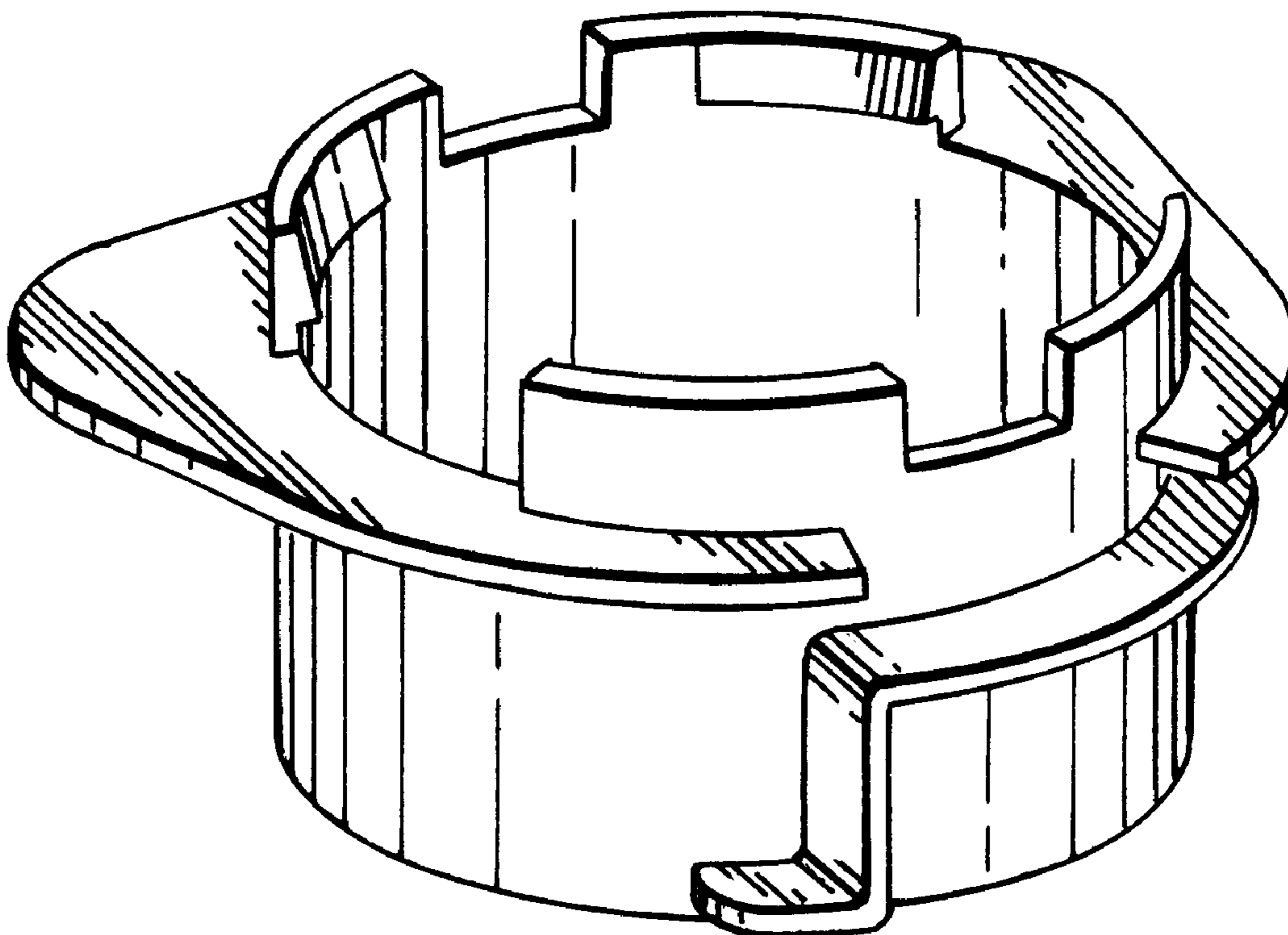
FIG. 4 is a side elevational view thereof taken from the right of FIG. 3.

FIG. 5 is a side elevational view thereof taken from the left of FIG. 3.

FIG. 6 is a bottom plan view thereof; and,

FIG. 7 is a rear elevational view thereof.

1 Claim, 3 Drawing Sheets



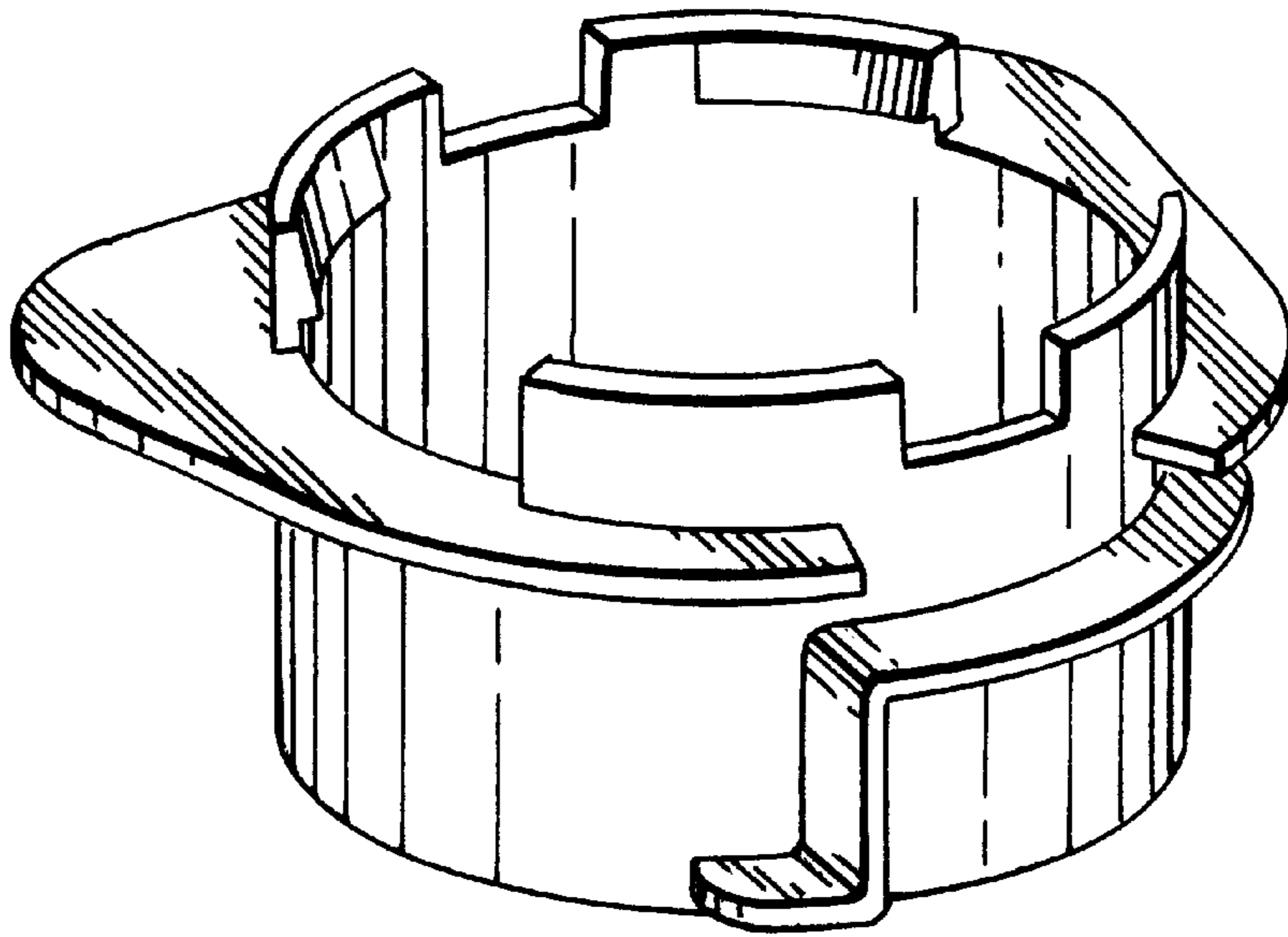


FIG. 1

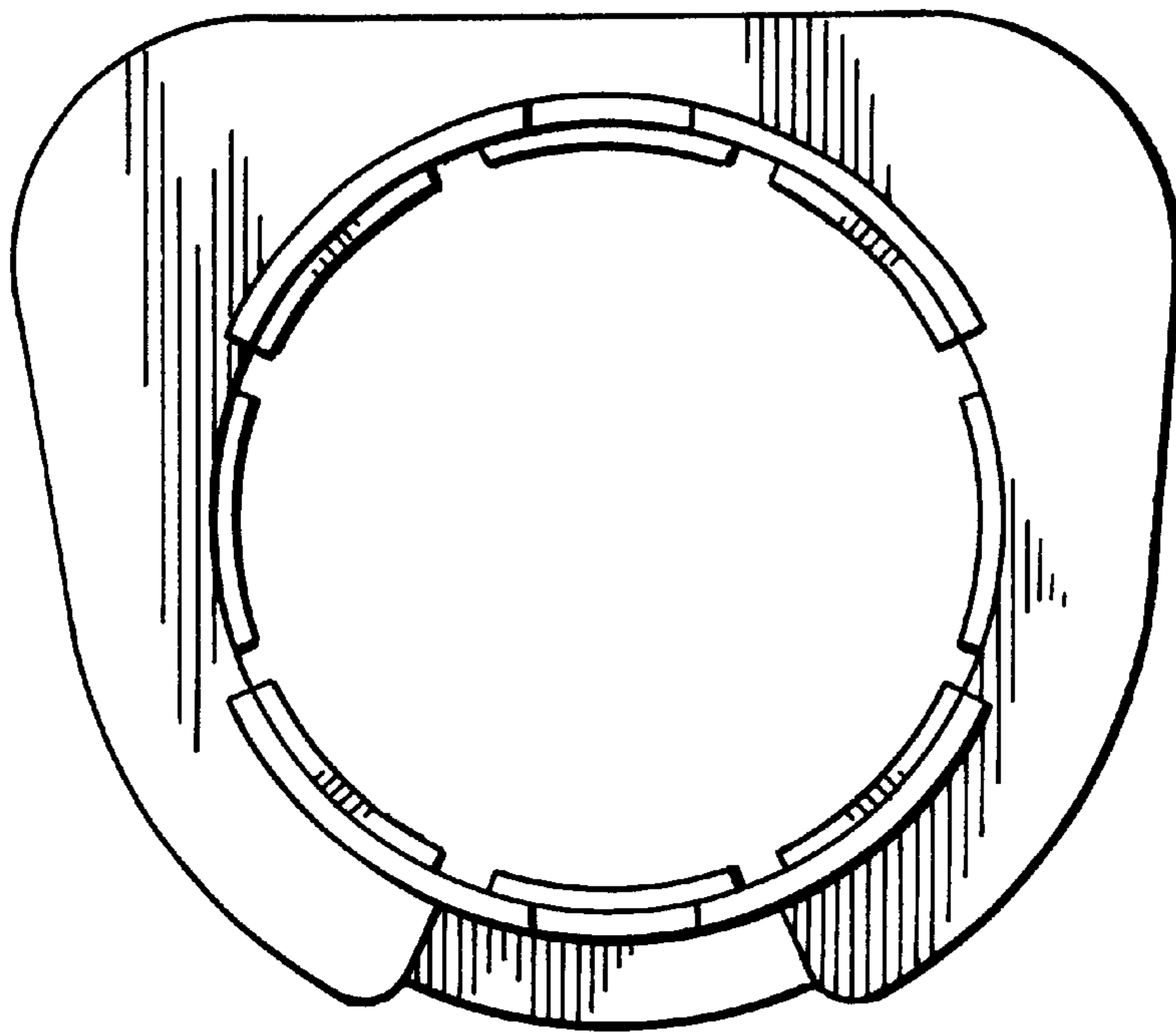


FIG. 2

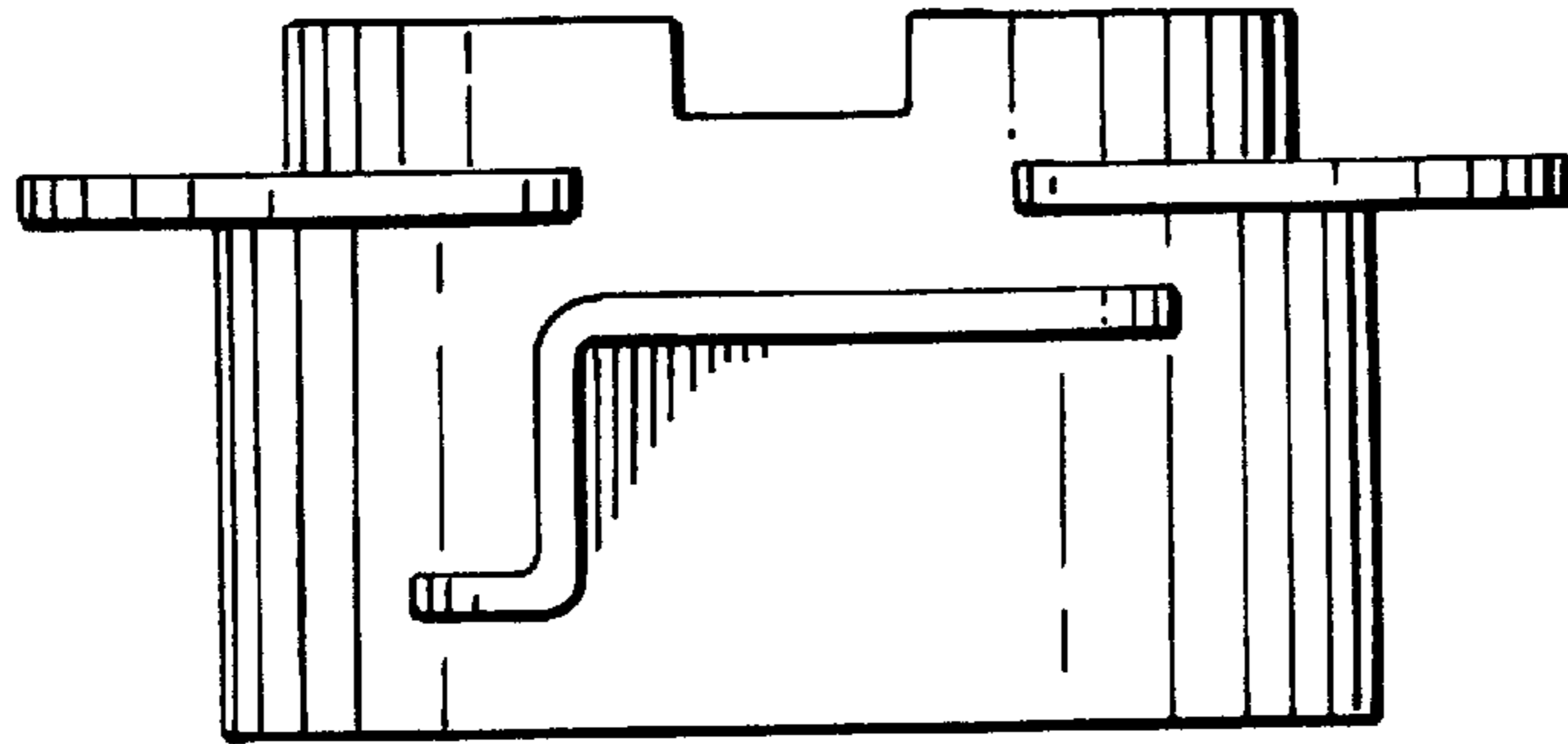


FIG. 3

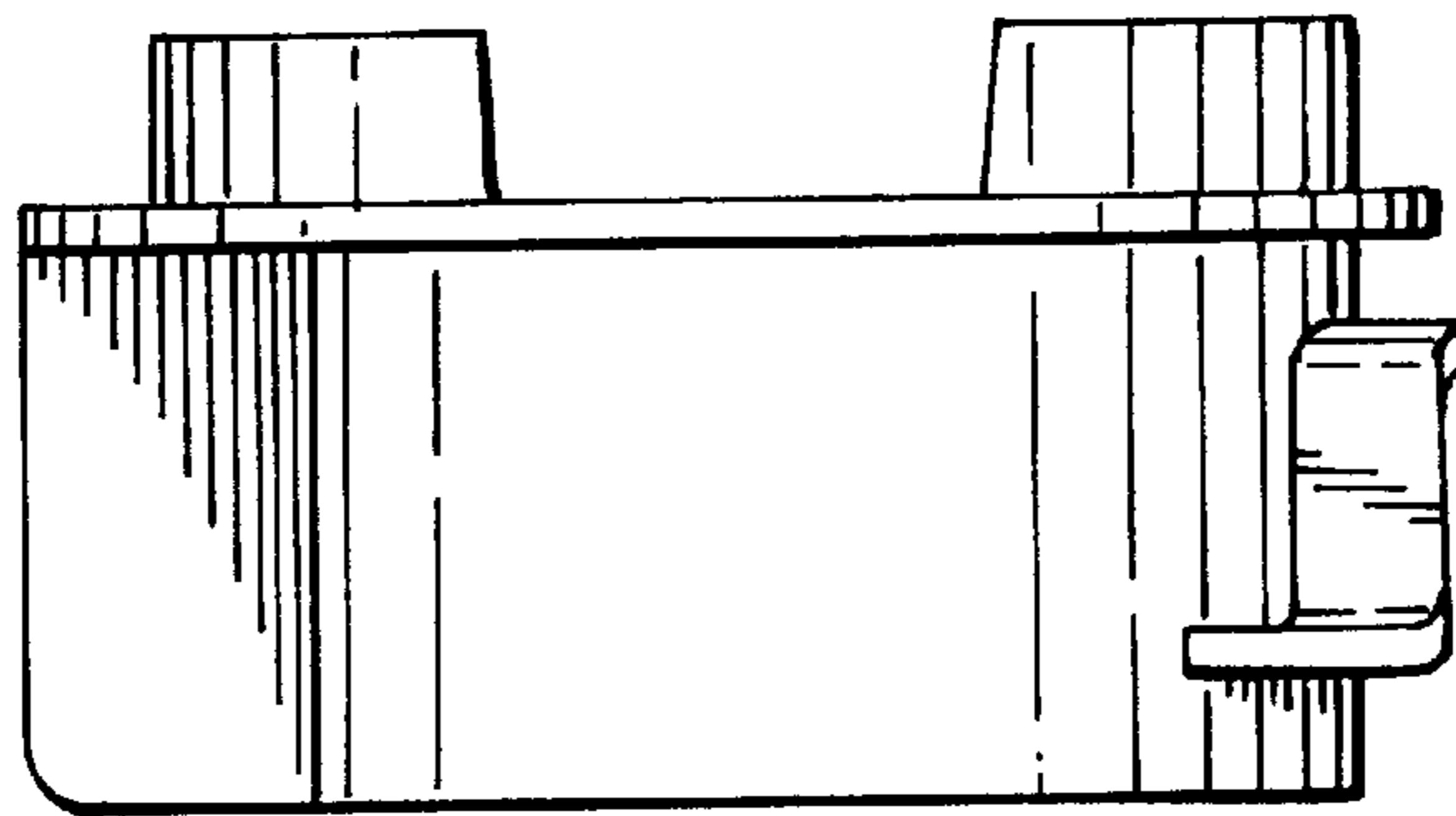


FIG. 4

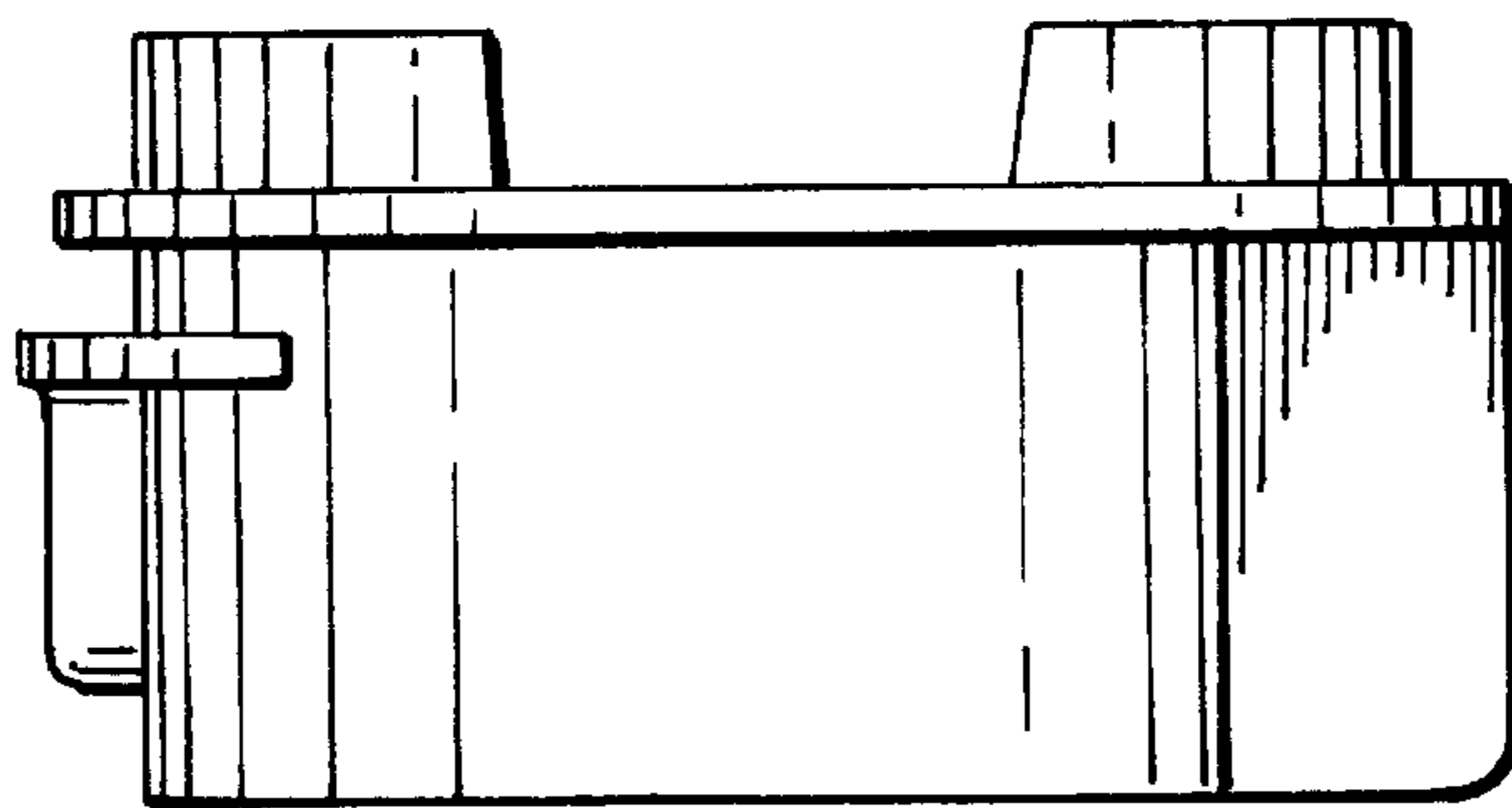


FIG. 5

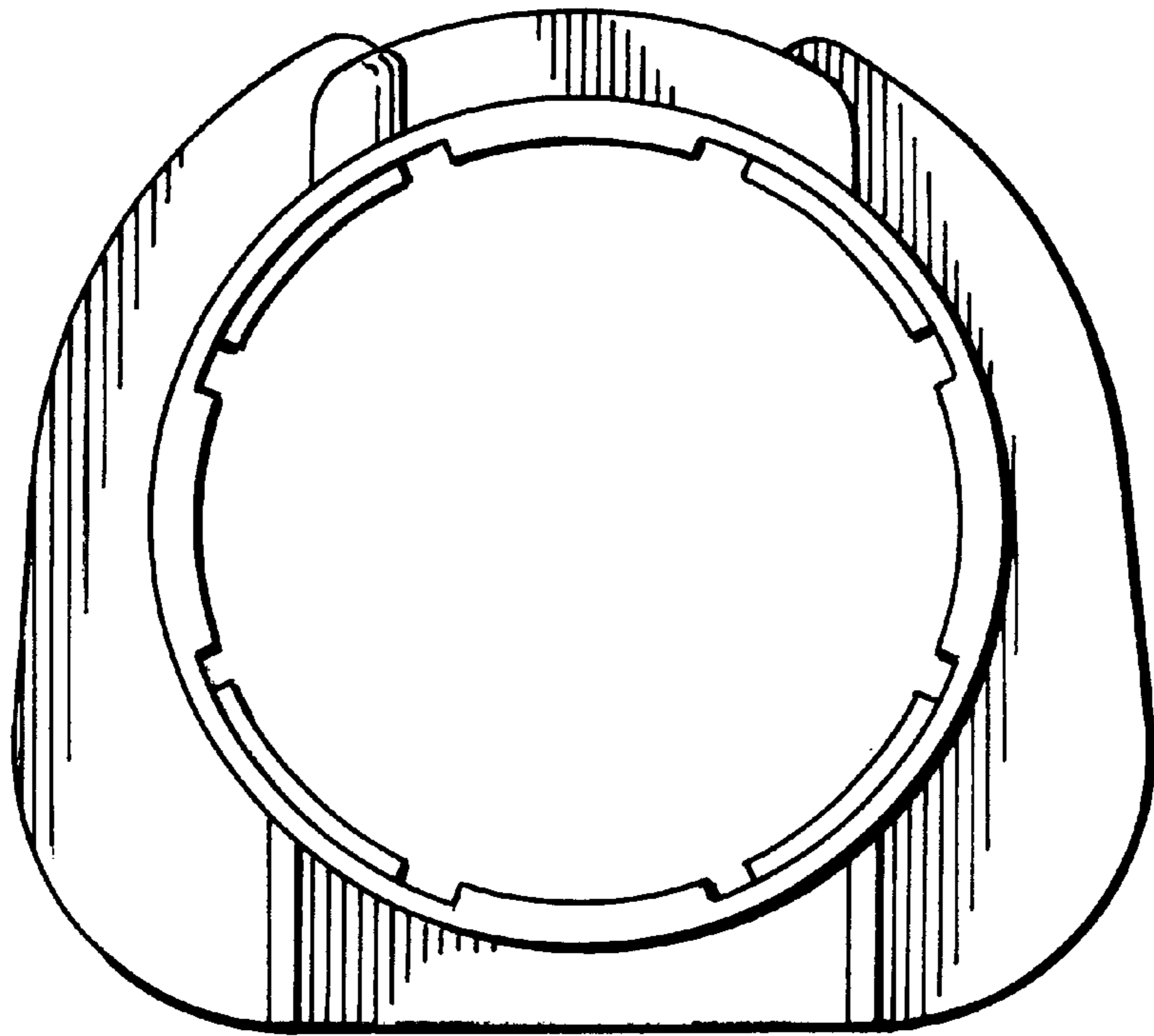


FIG. 6

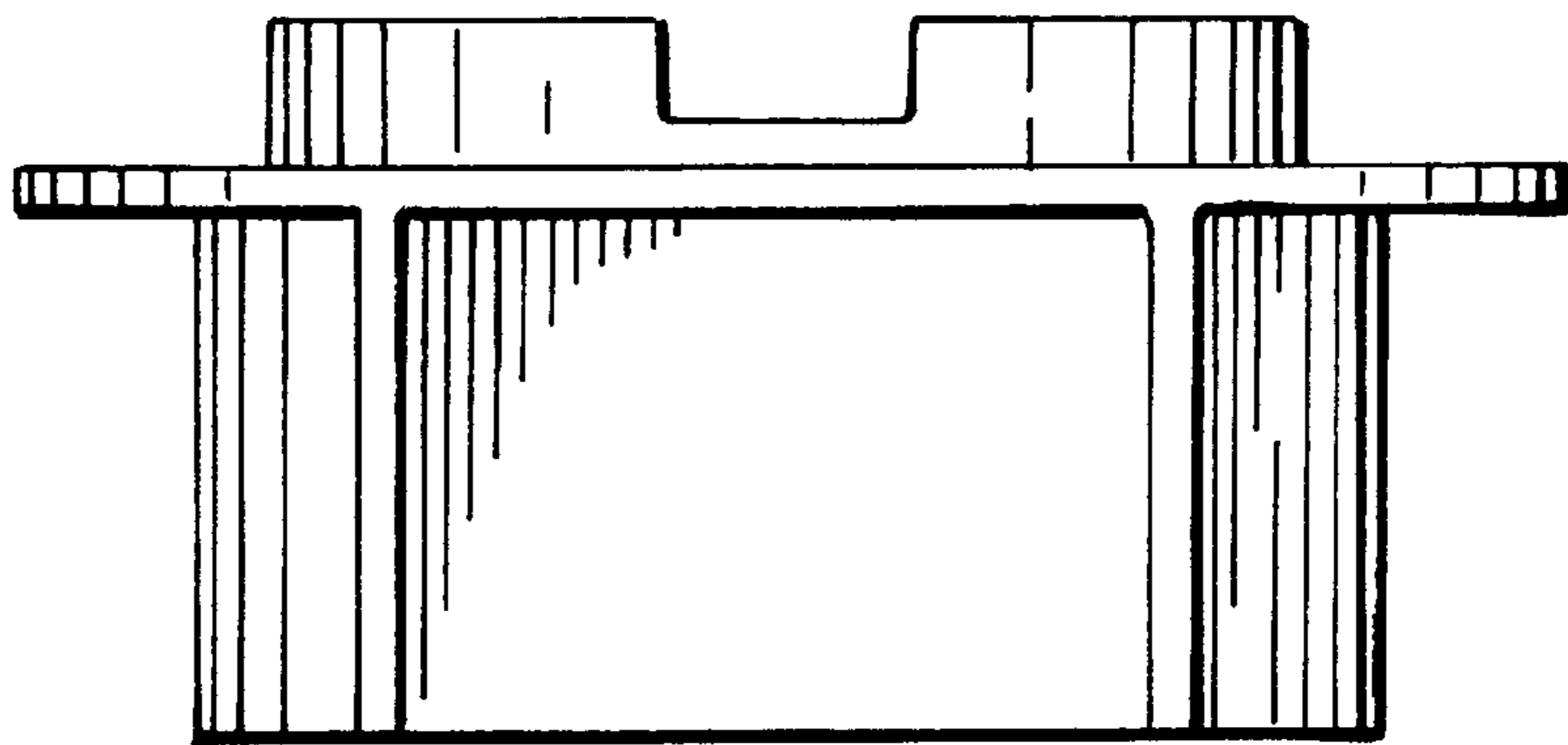


FIG. 7