



US00D480632S

(12) **United States Design Patent**
Williams et al.

(10) **Patent No.: US D480,632 S**

(45) **Date of Patent: ** Oct. 14, 2003**

(54) **APPLICATOR FOR APPLYING MATERIAL TO A SURFACE**

(75) Inventors: **Craig Williams**, Sylvania, OH (US);
Kenneth A. Dewood, Findlay, OH (US)

(73) Assignee: **Designetics**, Sylvania, OH (US)

(**) Term: **14 Years**

(21) Appl. No.: **29/152,962**

(22) Filed: **Jan. 4, 2002**

(51) **LOC (7) Cl.** **09-01**

(52) **U.S. Cl.** **D9/338**

(58) **Field of Search** D9/337, 338, 339,
D9/434, 435, 499; D15/150, 199; D24/152;
118/264, 265, 266; 156/205; 401/207

(56) **References Cited**

U.S. PATENT DOCUMENTS

3,158,096	A	*	11/1964	Arnold	101/368
3,375,784	A	*	4/1968	Loof	101/327
4,155,970	A	*	5/1979	Cassell	8/34.5
4,289,070	A	*	9/1981	MacGregor	101/327

D304,840	S	*	11/1989	Mizutani et al.	D19/43
5,131,349	A		7/1992	Keller et al.		
5,483,880	A	*	1/1996	Seo et al.	101/125
5,743,959	A		4/1998	Ash et al.		
6,460,456	B1	*	10/2002	Sugiyama et al.	101/327
D468,633	S	*	1/2003	DeWood	D9/338

* cited by examiner

Primary Examiner—Mitchell Siegel

Assistant Examiner—Daniel Bui

(74) *Attorney, Agent, or Firm*—Donald K Wedding

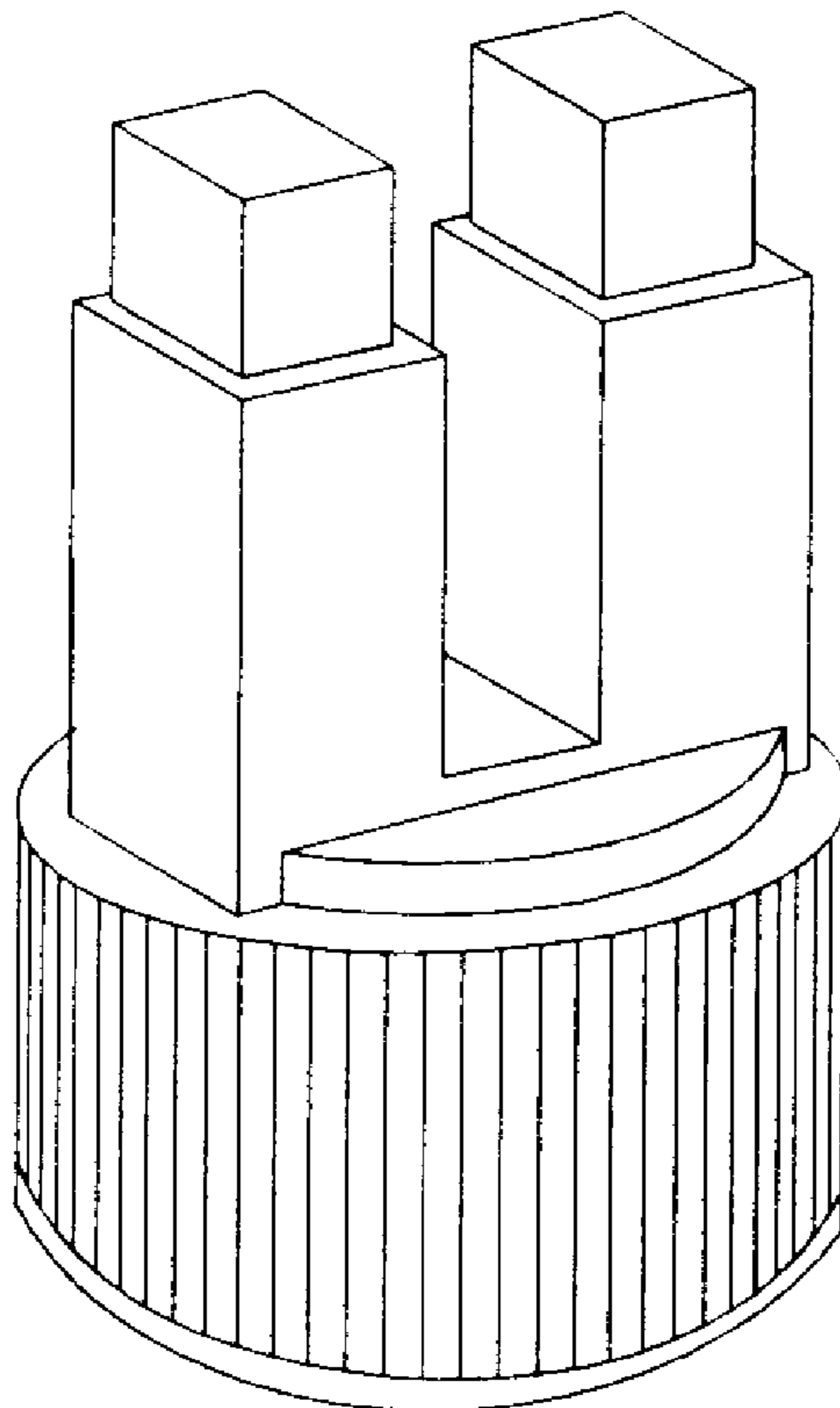
(57) **CLAIM**

The ornamental design for an applicator for applying material to a surface, as shown and described.

DESCRIPTION

FIG. 1 is an isometric or perspective view of our design for an applicator for applying material to a surface
FIG. 2 is a front view of the design shown in FIG. 1
FIG. 3 is a side view of the design shown in FIG. 1
FIG. 4 is a top view of the design shown in FIG. 1; and,
FIG. 5 is a bottom view of the design shown in FIG. 1.

1 Claim, 1 Drawing Sheet



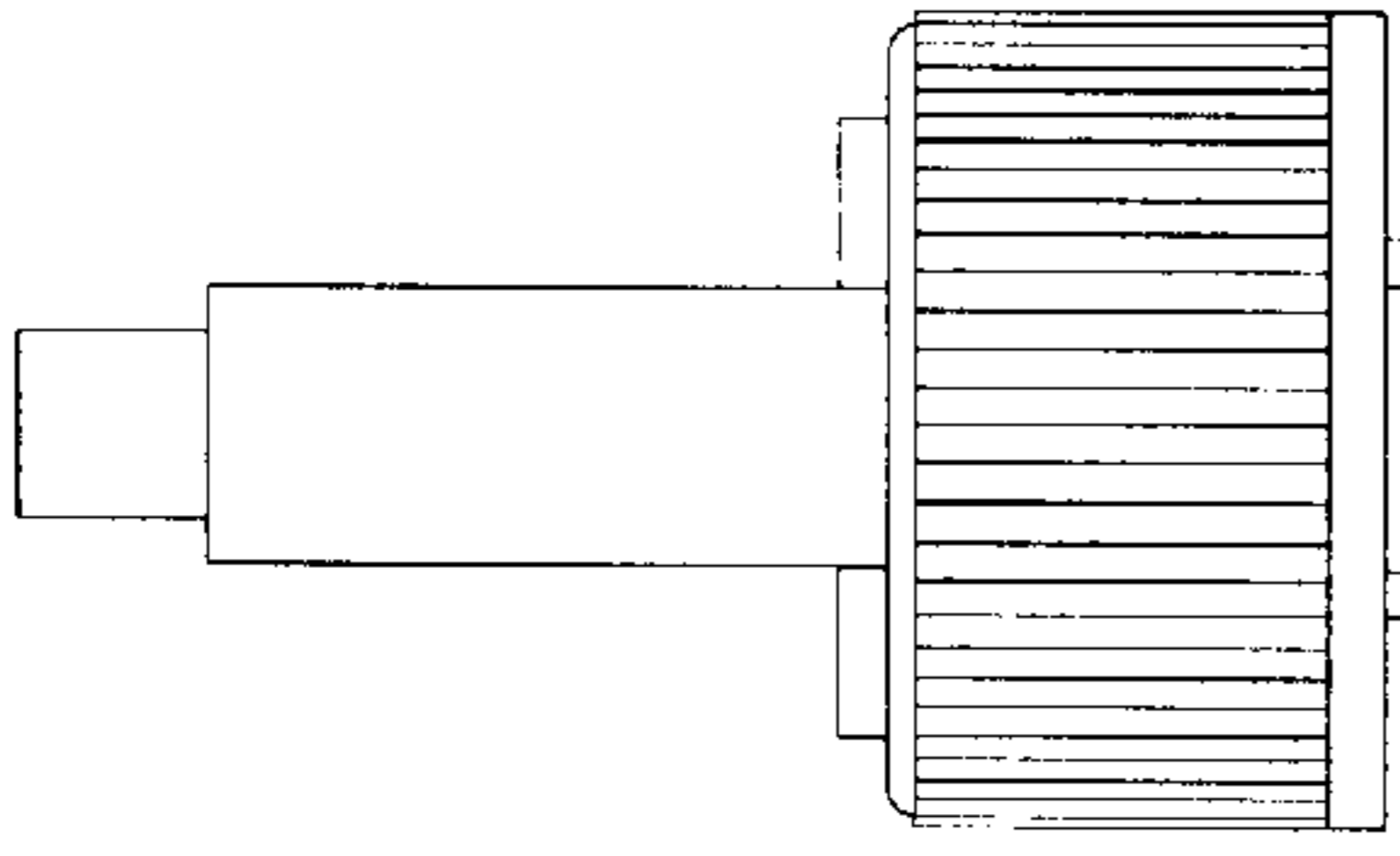


FIGURE 3

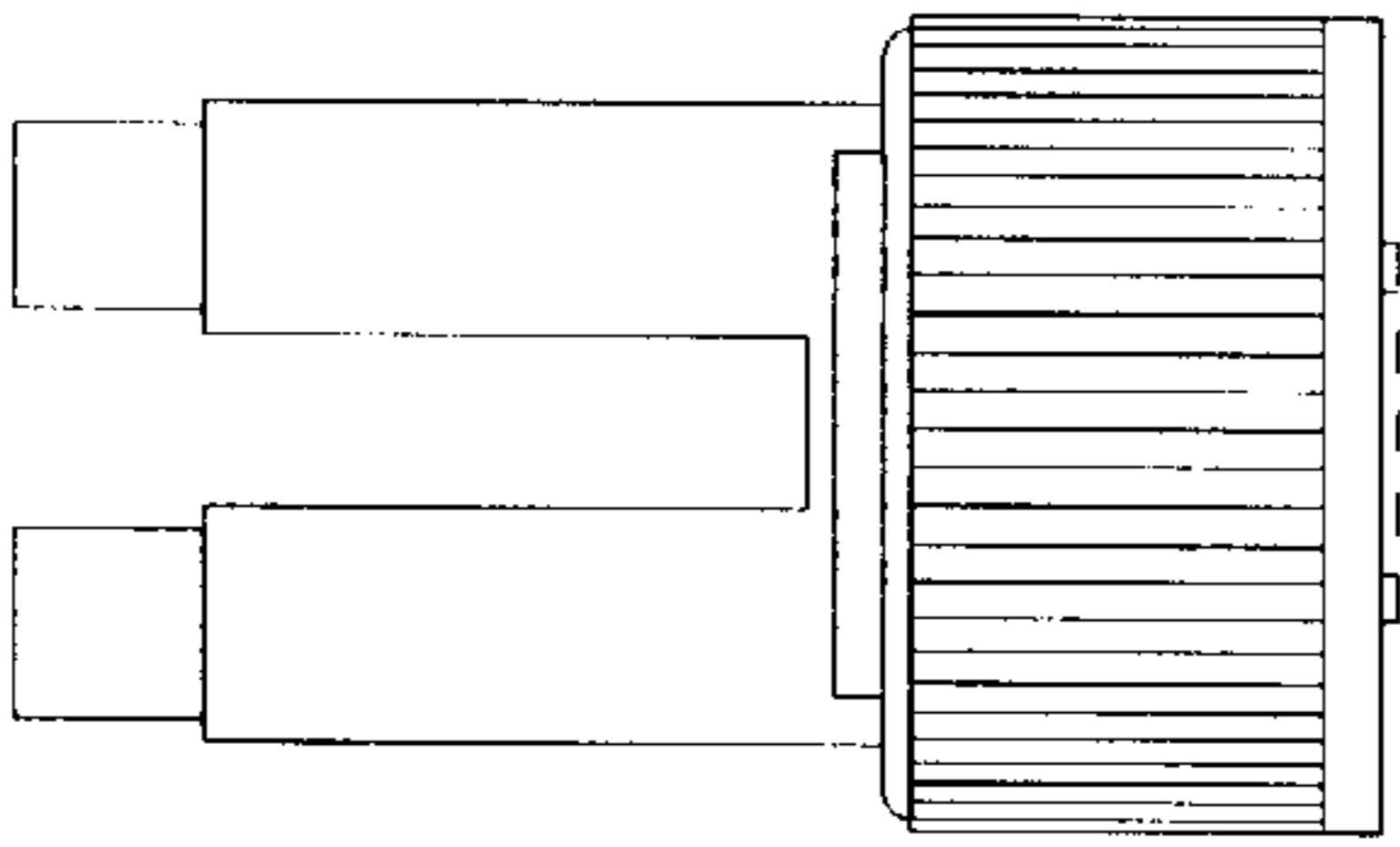


FIGURE 2

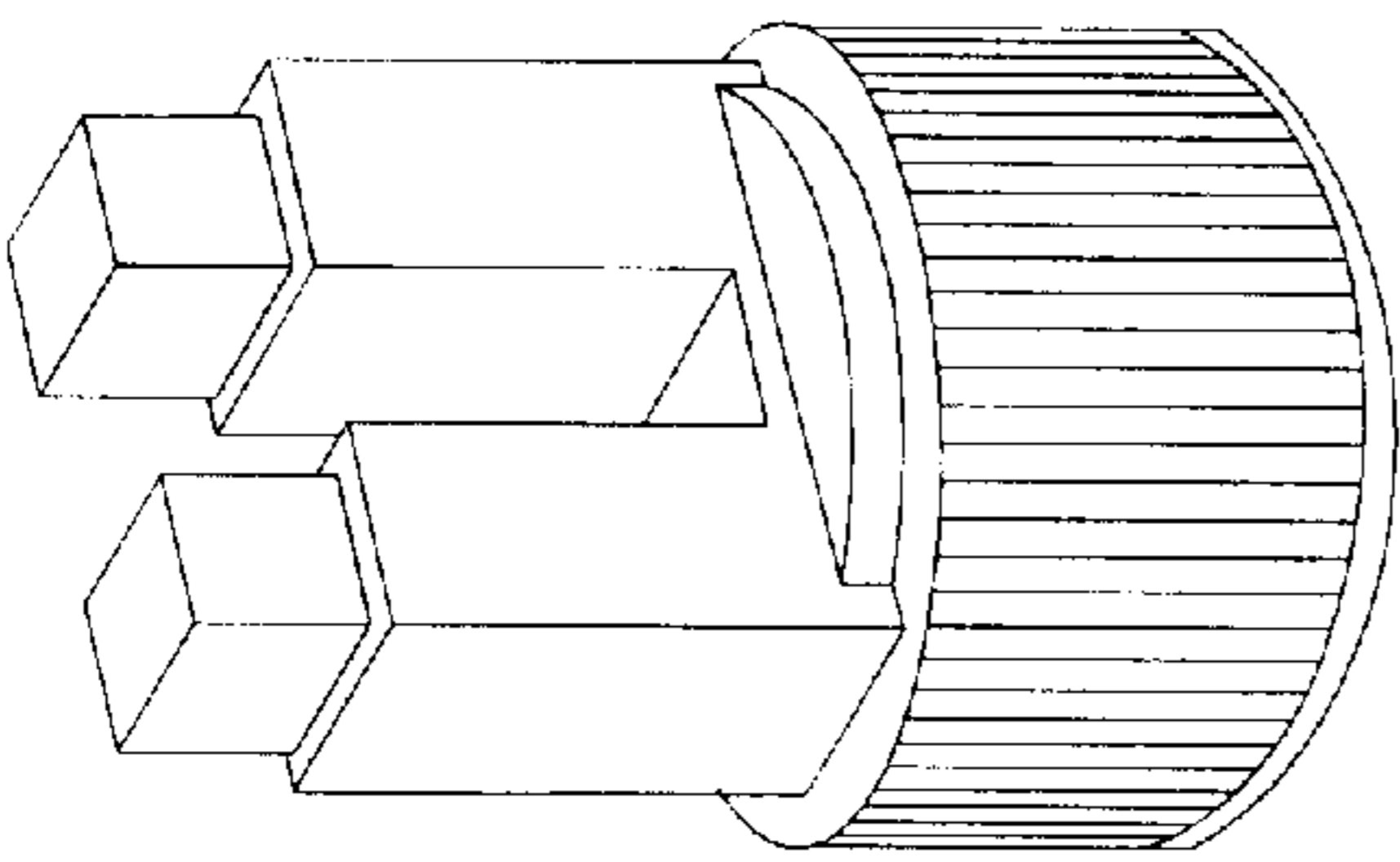


FIGURE 1

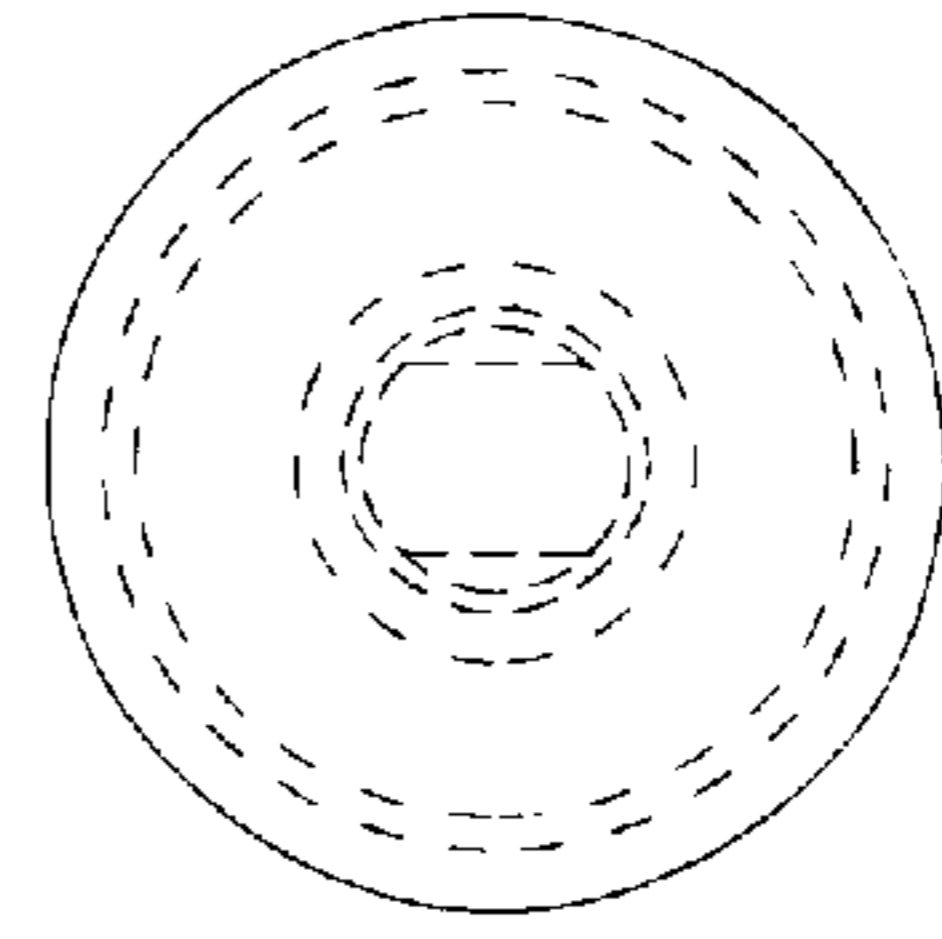


FIGURE 5

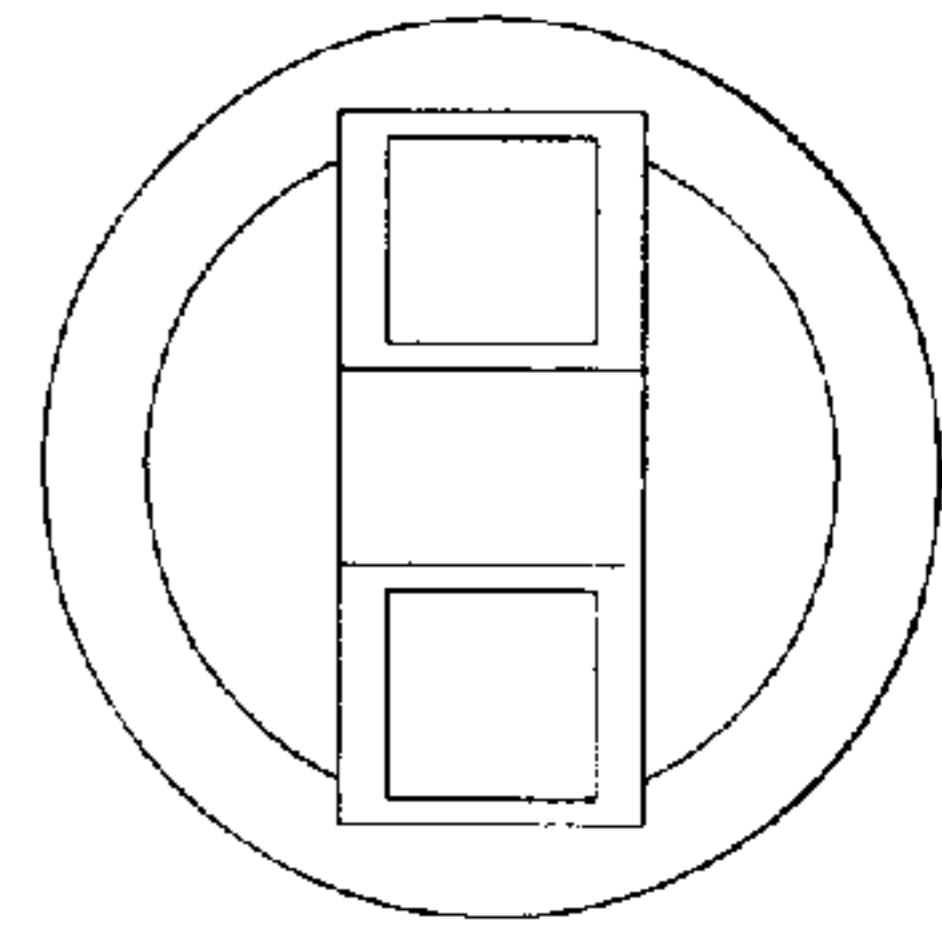


FIGURE 4