



US00D480624S

(12) **United States Design Patent**
Dretzka

(10) **Patent No.:** **US D480,624 S**

(45) **Date of Patent:** **** Oct. 14, 2003**

(54) **OVER THE DOOR HOOK**

D446,108 S 8/2001 Snell
D463,730 S 10/2002 Snell

(75) Inventor: **Philip C. Dretzka**, Cleveland Heights, OH (US)

OTHER PUBLICATIONS

(73) Assignee: **InterDesign, Inc.**, Solon, OH (US)

InterDesign, Inc. brochure: "storage organization," back cover, 1999.

(**) Term: **14 Years**

InterDesign, Inc. brochure: "decorative hardware," pp. 3, 4 and 6, 1999.

(21) Appl. No.: **29/169,654**

* cited by examiner

(22) Filed: **Oct. 24, 2002**

Primary Examiner—Pamela Burgess

(51) **LOC (7) Cl.** **08-05**

(74) *Attorney, Agent, or Firm*—D. Peter Hochberg; Katherine R. Vieyra; Sean Mellino

(52) **U.S. Cl.** **D8/367**

(58) **Field of Search** D8/367, 370, 372, D8/323, 363; D6/323, 327; 248/214–215, 339, 340, 301, 489; 211/113, 123, 118, 106, 105.1, 105.2; 4/609

(57) **CLAIM**

The ornamental design for an over the door hook, as shown and described.

(56) **References Cited**

DESCRIPTION

U.S. PATENT DOCUMENTS

194,707 A *	8/1877	Merrill	248/489
D24,287 S *	5/1895	Snedden	D8/370
D30,609 S *	4/1899	Murphy	D8/363
1,791,696 A *	2/1931	Alexander	4/609
2,527,713 A *	10/1950	Dunn	248/214
2,605,906 A *	8/1952	Pontius	211/106
3,240,463 A *	3/1966	Cook	248/339
D336,842 S	6/1993	Hampshire		
D421,713 S	3/2000	Snell		
D422,199 S	4/2000	Snell		
D424,816 S	5/2000	Snell		
D425,316 S	5/2000	Snell		
D433,316 S	11/2000	Snell		

FIG. 1 is a perspective view of the over the door hook according to the invention;

FIG. 2 is a front view of the over the door hook as shown in FIG. 1;

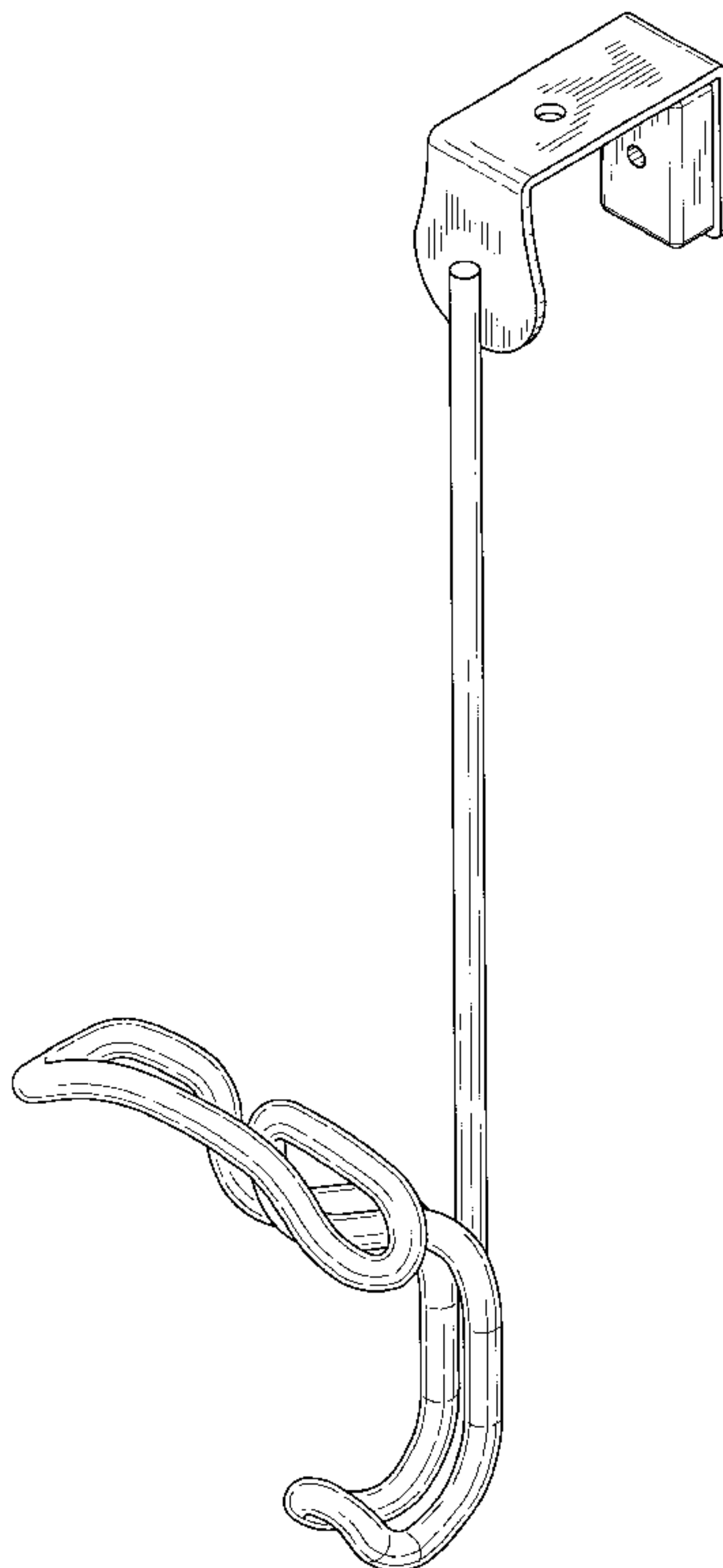
FIG. 3 is a rear view of the over the door hook as shown in FIG. 1;

FIG. 4 is a top view of the over the door hook as shown in FIG. 1;

FIG. 5 is a bottom view of the over the door hook as shown in FIG. 1; and,

FIG. 6 is a side view of the over the door hook as shown in FIG. 1.

1 Claim, 3 Drawing Sheets



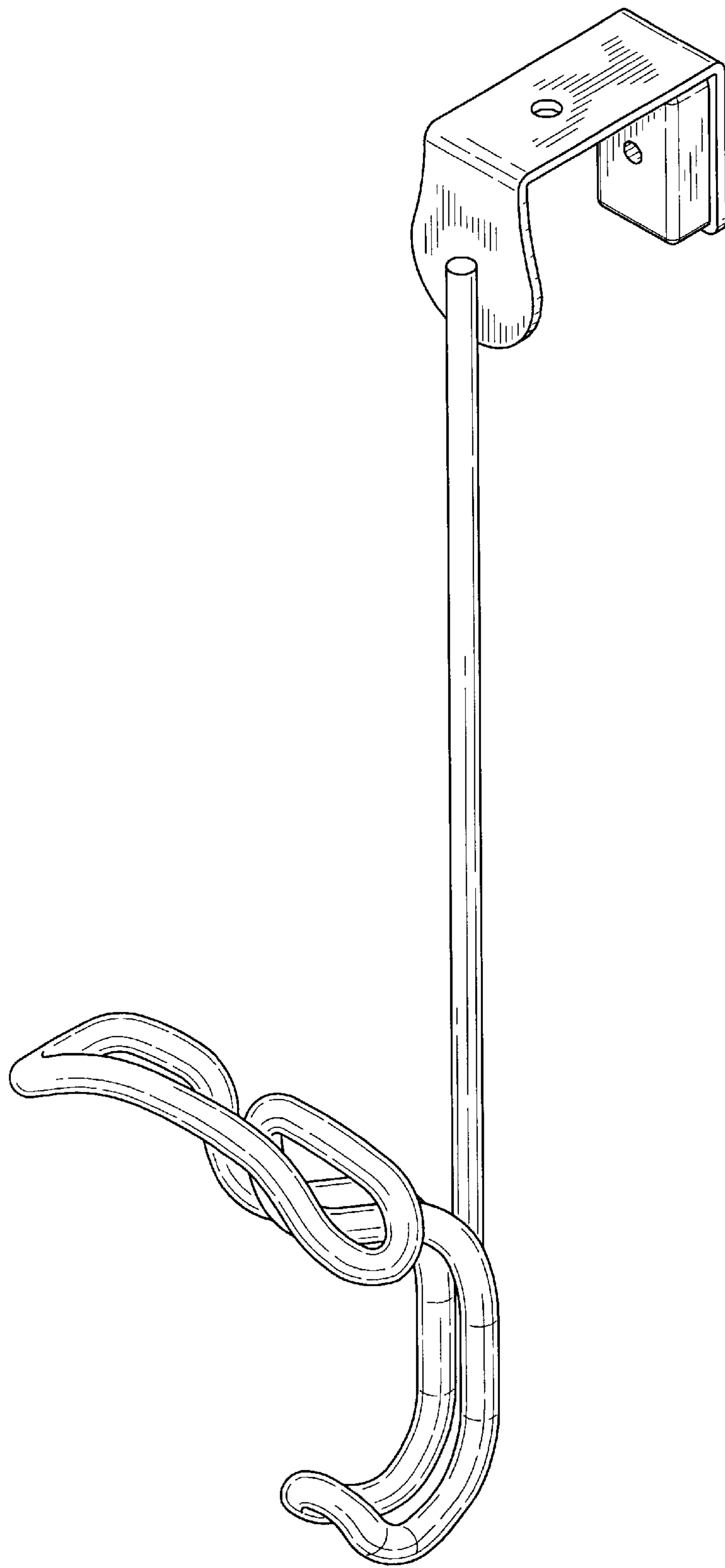


FIG-1

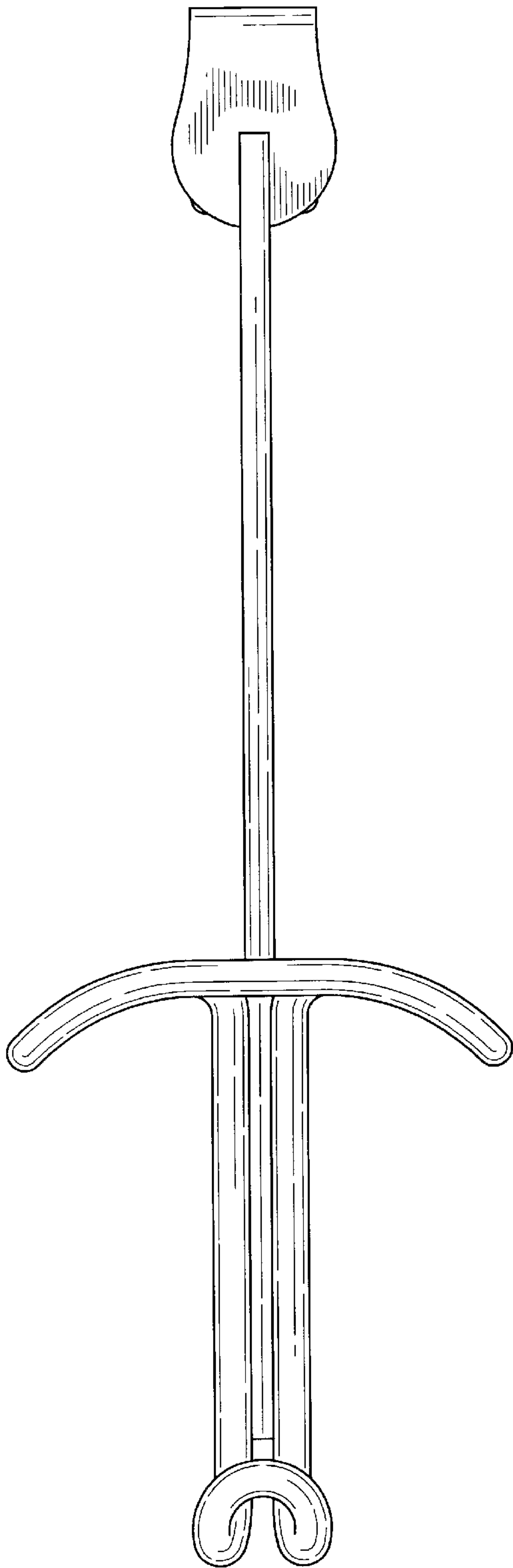


FIG-2

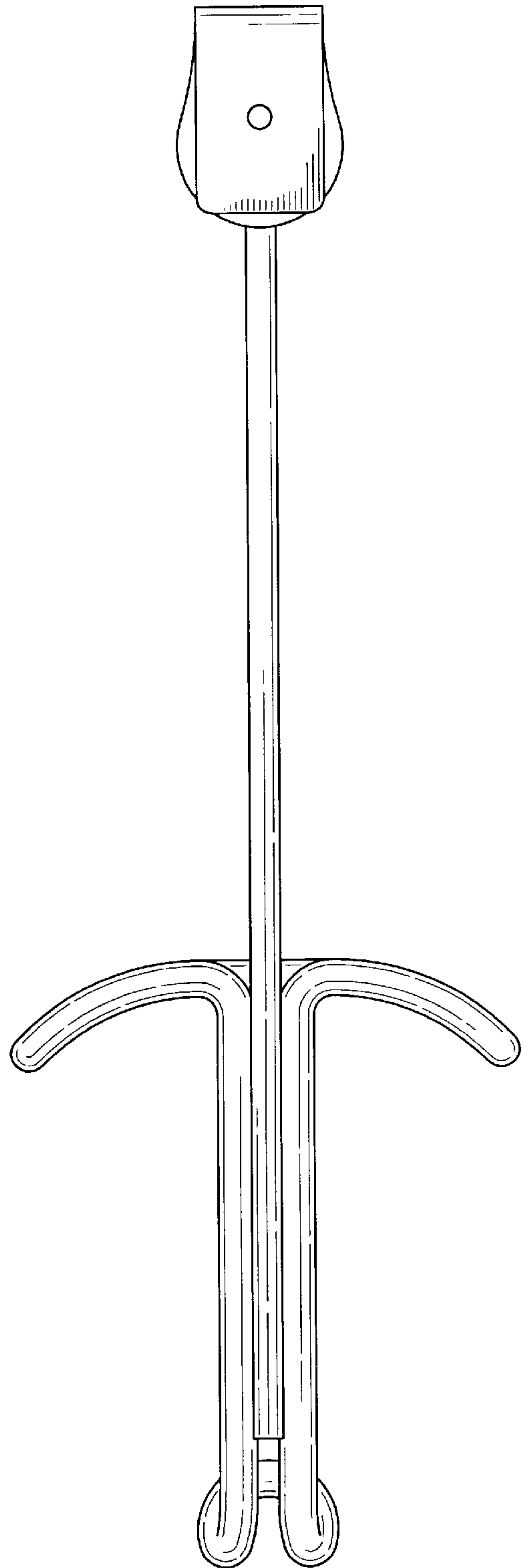


FIG-3

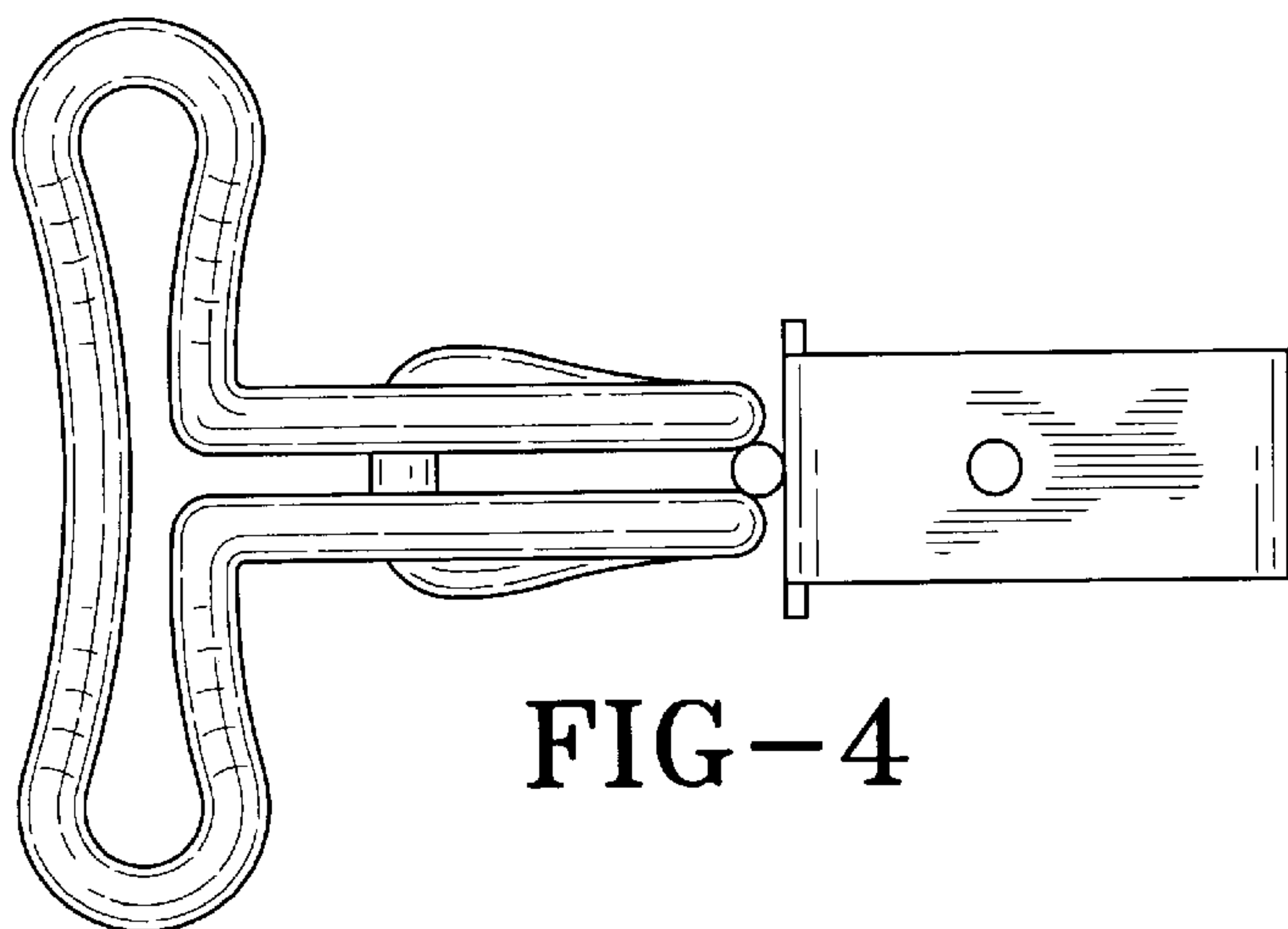


FIG-4

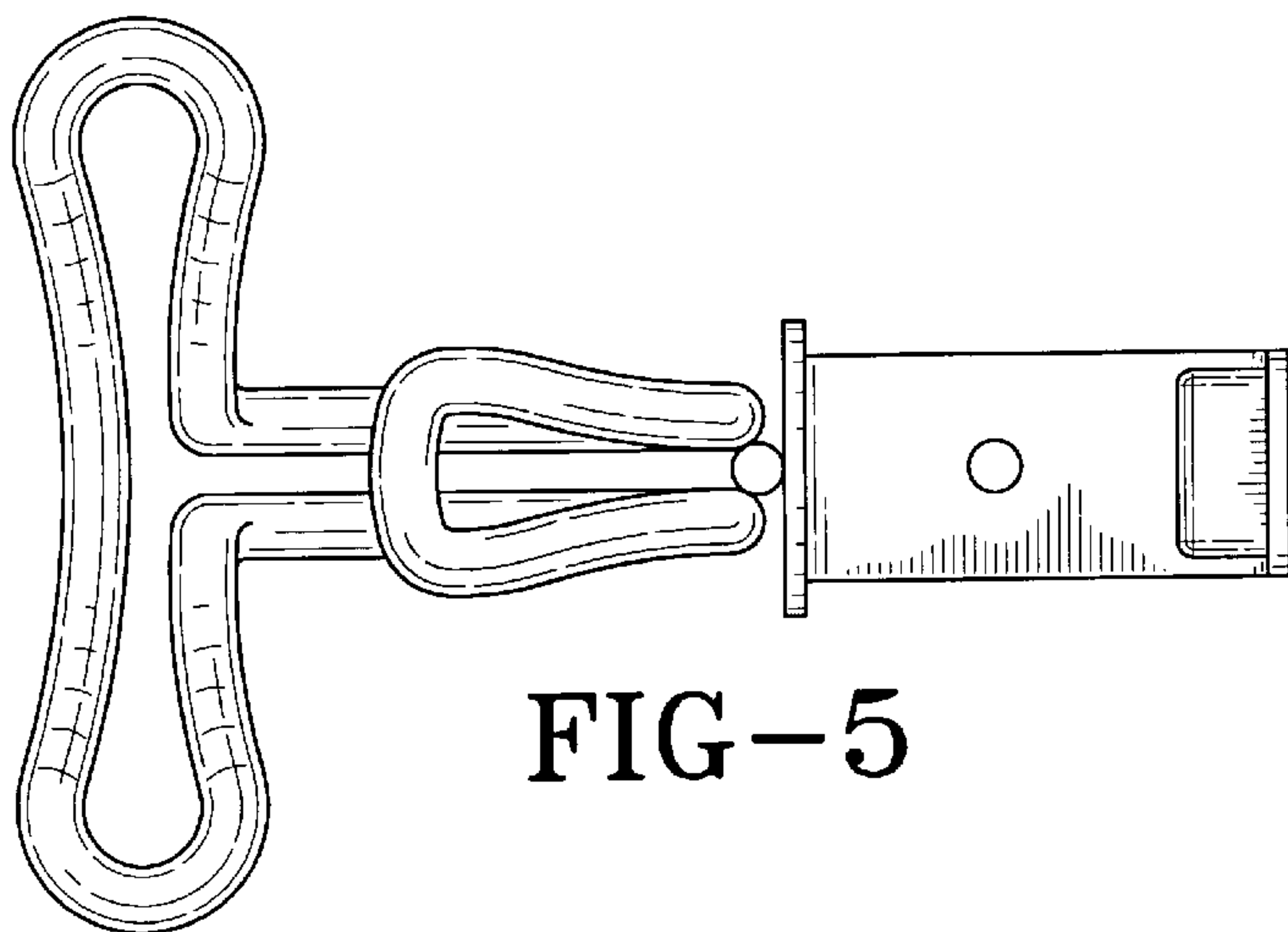


FIG-5

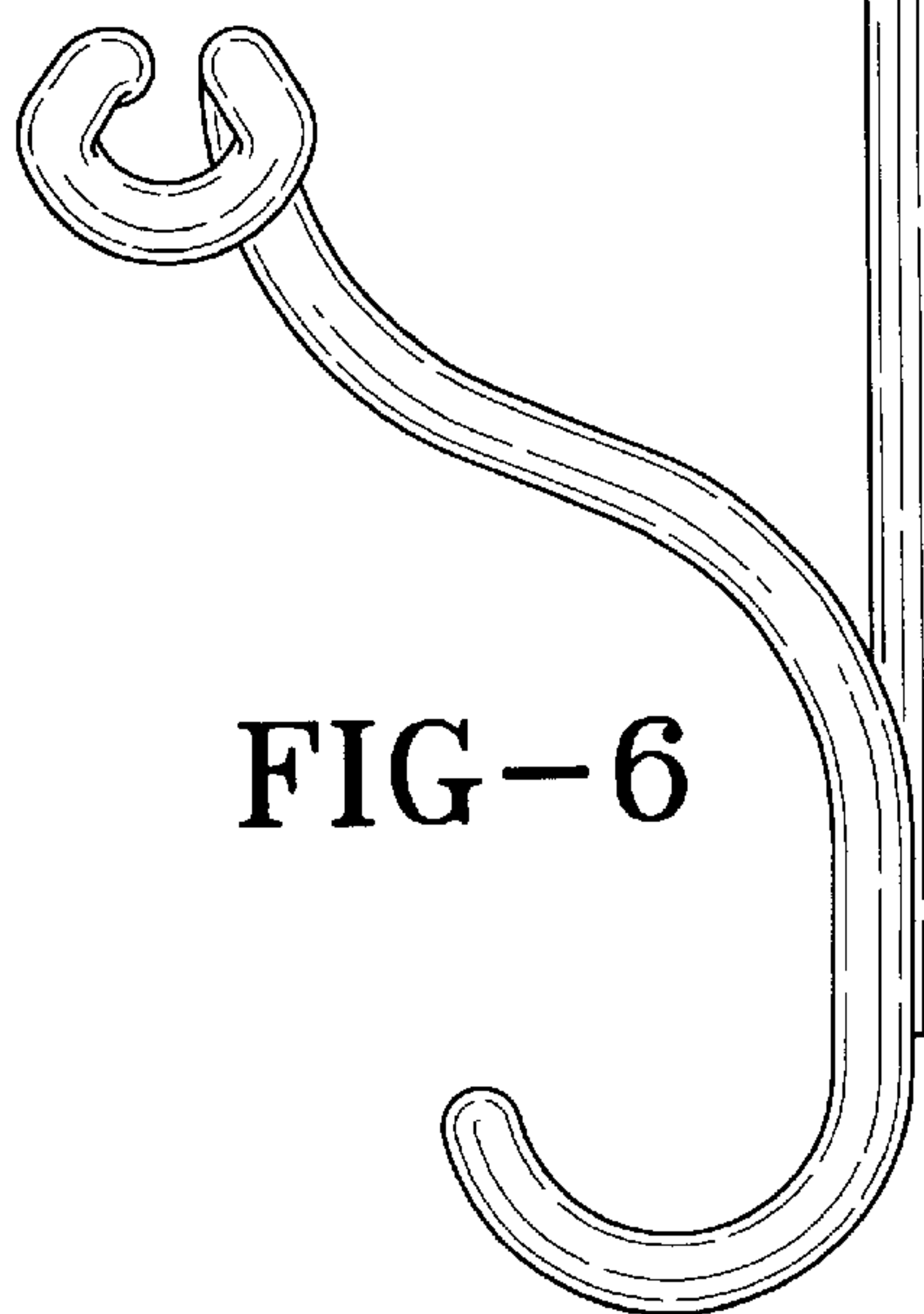


FIG-6

