



US00D480623S

(12) **United States Design Patent**
Miller et al.

(10) **Patent No.:** **US D480,623 S**
(45) **Date of Patent:** **** Oct. 14, 2003**

(54) **HOSE REEL**

(76) Inventors: **Patrick H. Miller**, 307 W. 2nd St.,
Lexington, NC (US) 27292; **David L. Clark**, 294 Creekwood Ct., Lexington,
NC (US) 27292

(**) Term: **14 Years**

(21) Appl. No.: **29/173,899**

(22) Filed: **Jan. 8, 2003**

(51) **LOC (7) Cl.** **08-05**

(52) **U.S. Cl.** **D8/359**

(58) **Field of Search** D3/24; D8/356,
D8/358, 359, 360.1; D13/137.4, 153, 154;
D22/137; 137/355.16, 355.26; 191/12.2 R;
242/378.1, 379, 379.2, 380, 385.1, 388.1,
388.5, 395, 398, 404.3, 405, 405.3, 600,
608, 609, 609.1, 609.4, 388; 439/4, 501

(56) **References Cited**

U.S. PATENT DOCUMENTS

2,428,446 A * 10/1947 Beede 191/12.2 R
D243,746 S * 3/1977 Youngblood D8/359
4,251,038 A * 2/1981 Gename 242/397.2

4,330,005 A * 5/1982 Kjarsgaard 137/355.16
4,467,979 A * 8/1984 Koehler 439/501
4,537,215 A * 8/1985 Roman 137/355.26
4,592,519 A * 6/1986 Peacock 242/532.6
D365,013 S * 12/1995 Fujino D8/359
6,241,175 B1 * 6/2001 Nichols 242/395

* cited by examiner

Primary Examiner—Doris V. Coles
Assistant Examiner—Elizabeth A. Albert

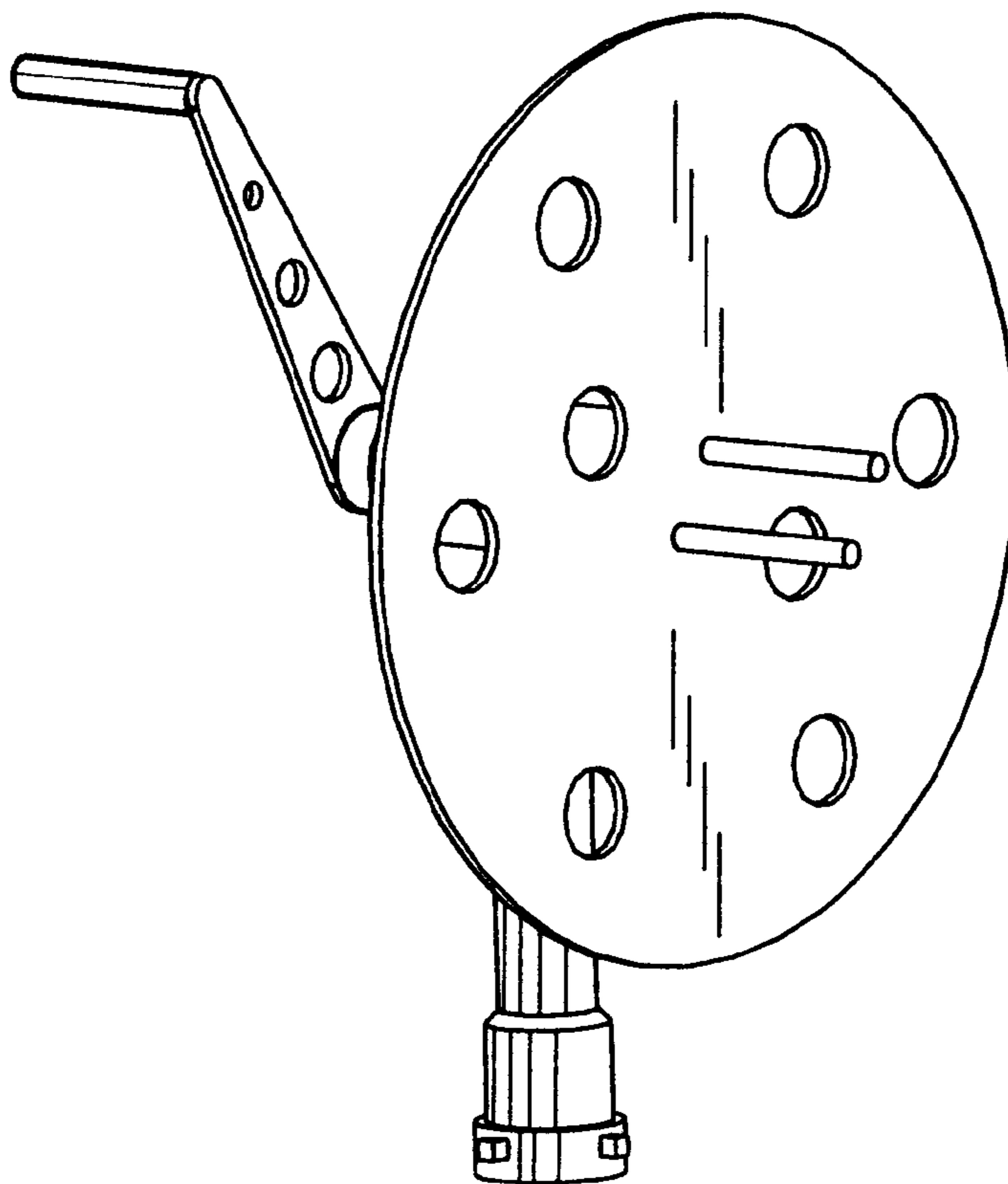
(57) **CLAIM**

The ornamental design for a hose reel, as shown and described.

DESCRIPTION

FIG. 1 shows a front left side perspective view of a hose reel embodying our design;
FIG. 2 shows a right side, rear perspective view thereof;
FIG. 3 shows a top plan view thereof;
FIG. 4 shows a bottom plan view thereof;
FIG. 5 shows a front elevational view thereof;
FIG. 6 shows a rear elevational view thereof; and,
FIG. 7 shows a left side elevational view thereof.

1 Claim, 3 Drawing Sheets



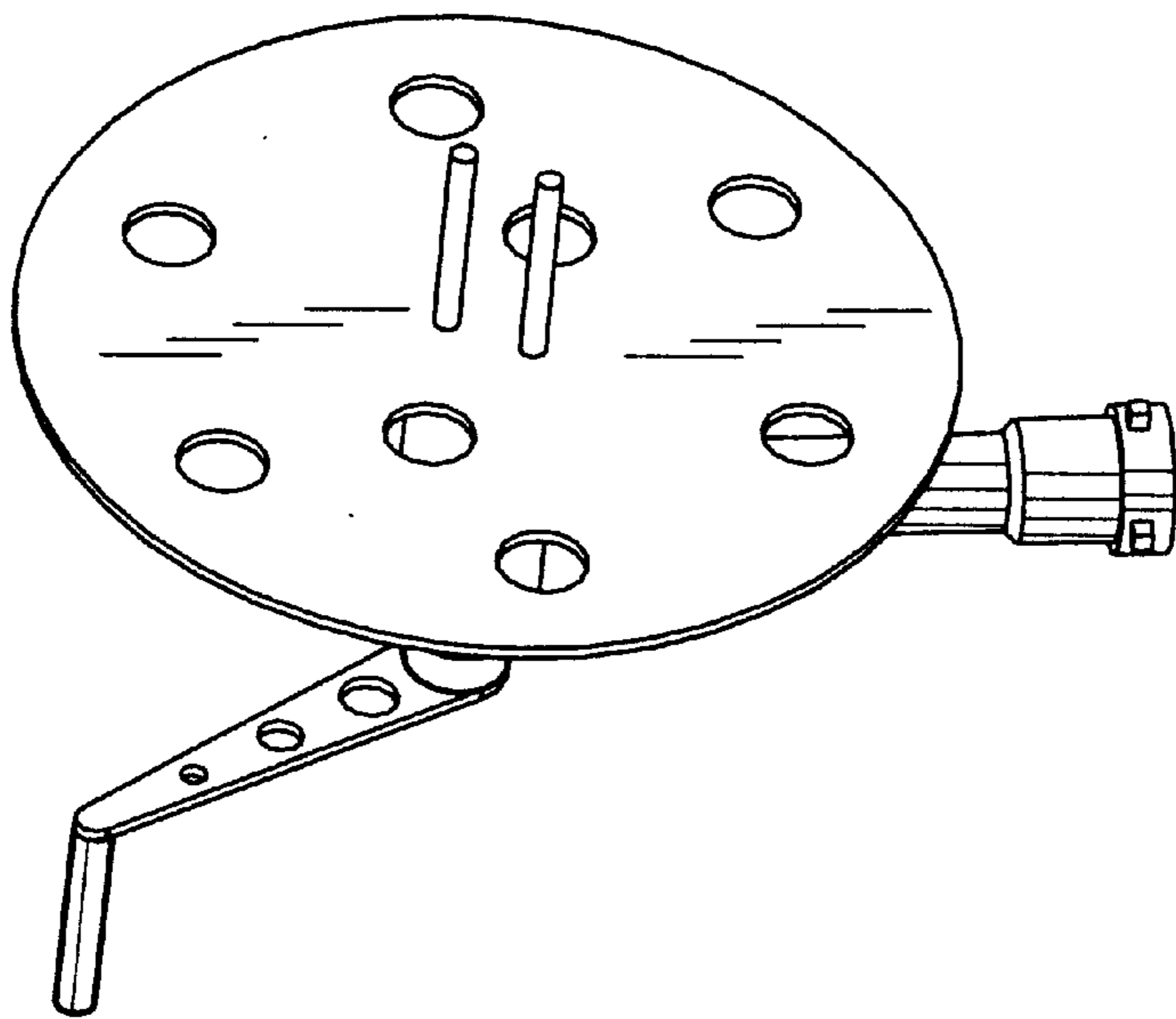


FIG. 1

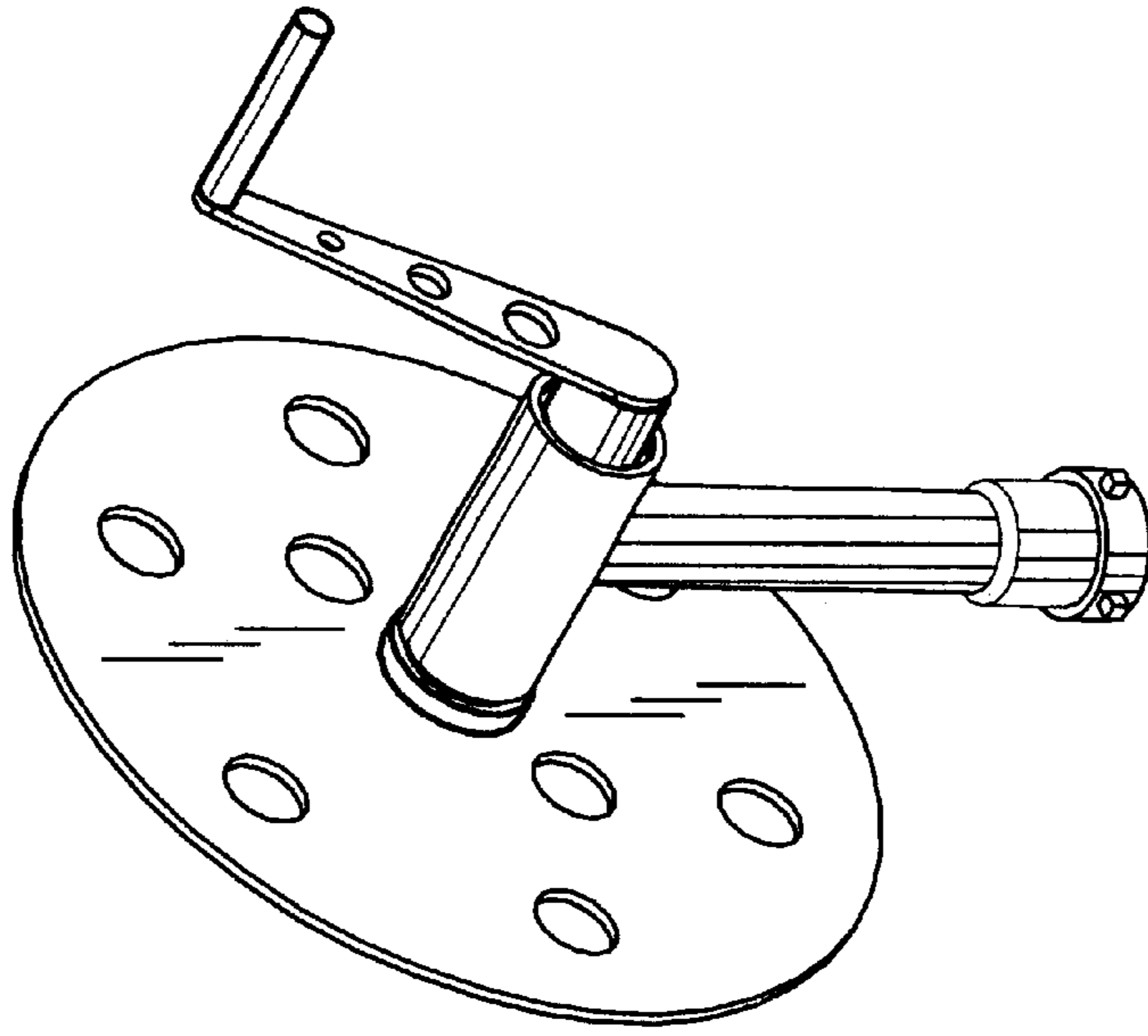


FIG. 2

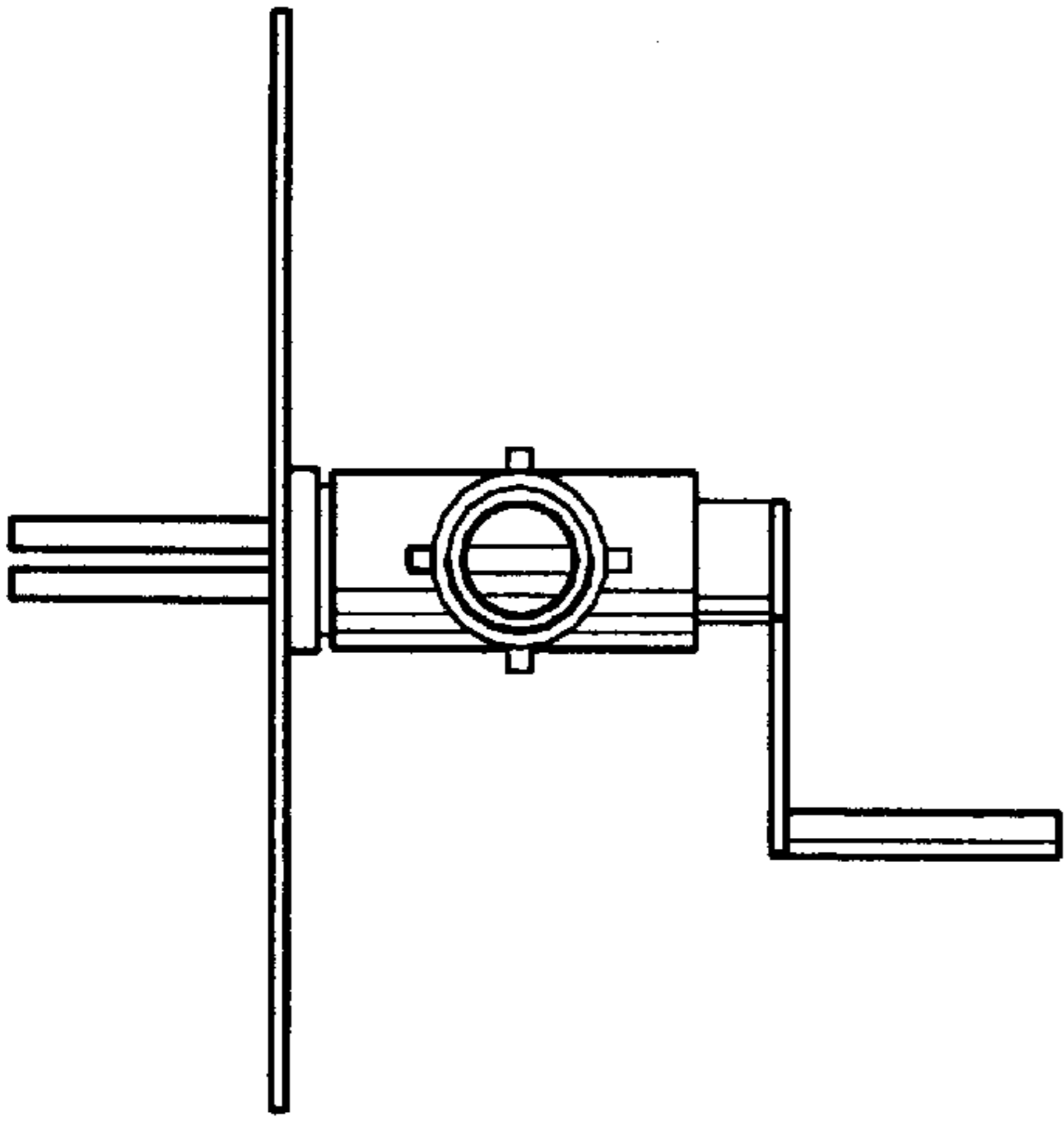


FIG. 3

FIG. 4

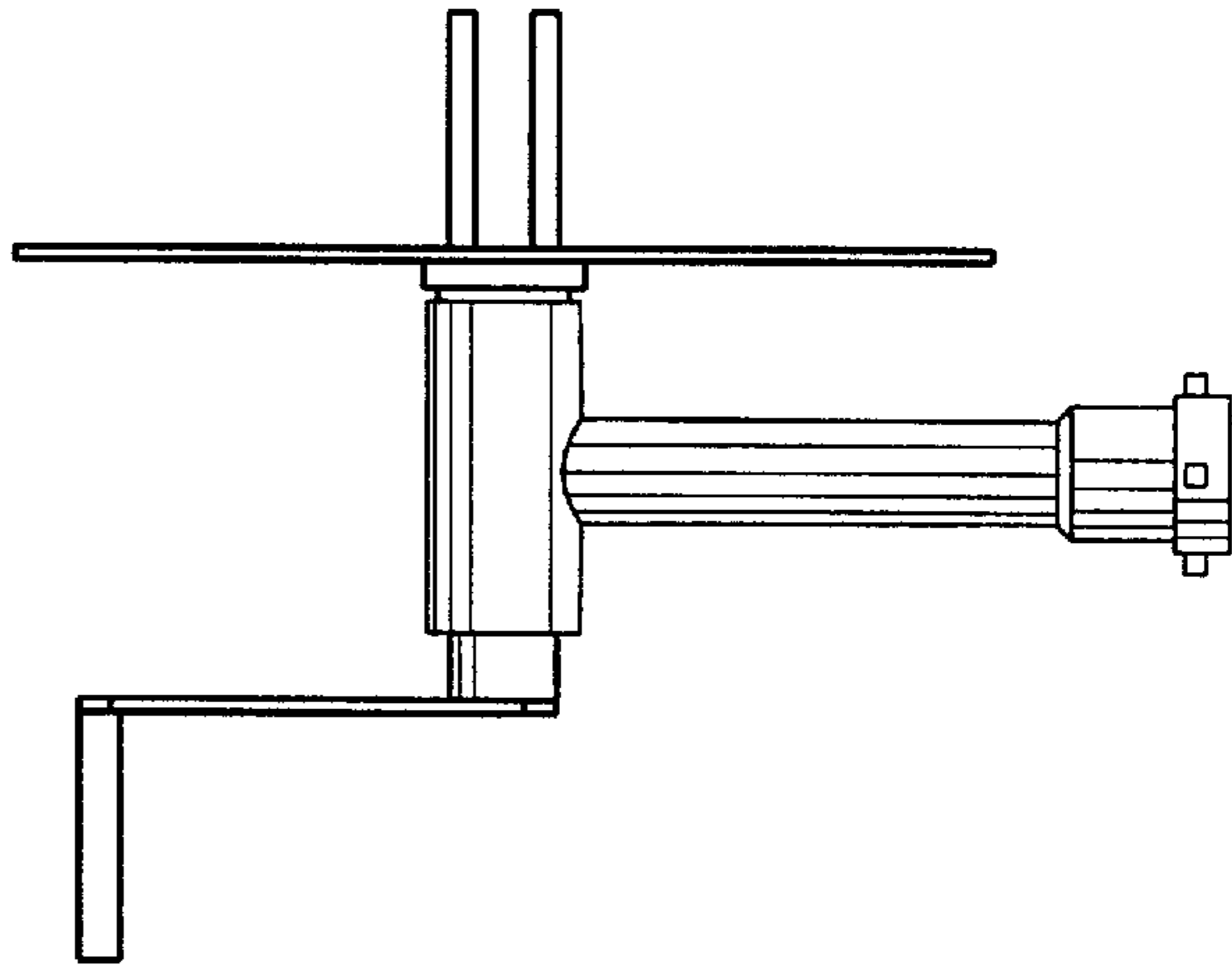


FIG. 7

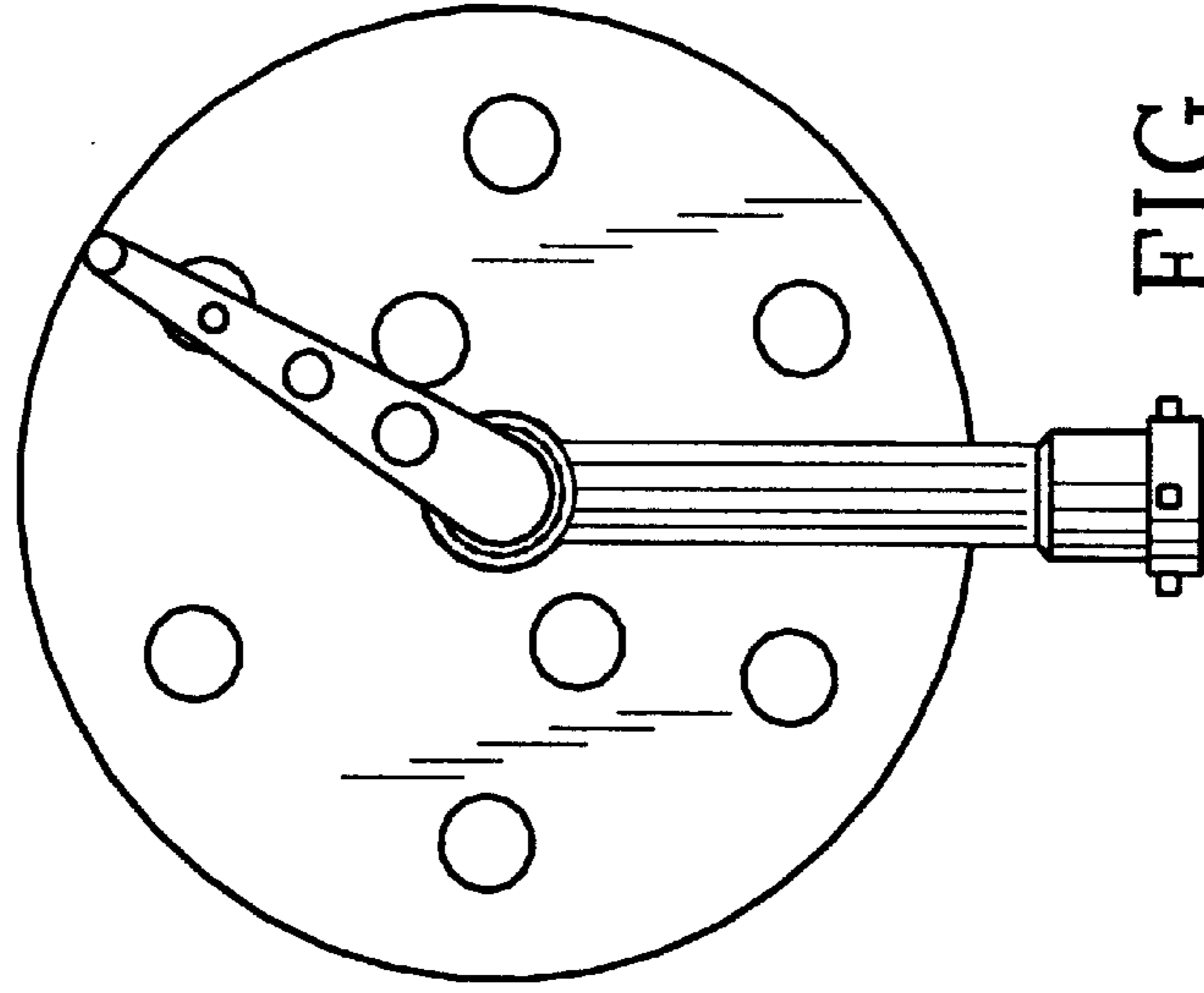


FIG. 5

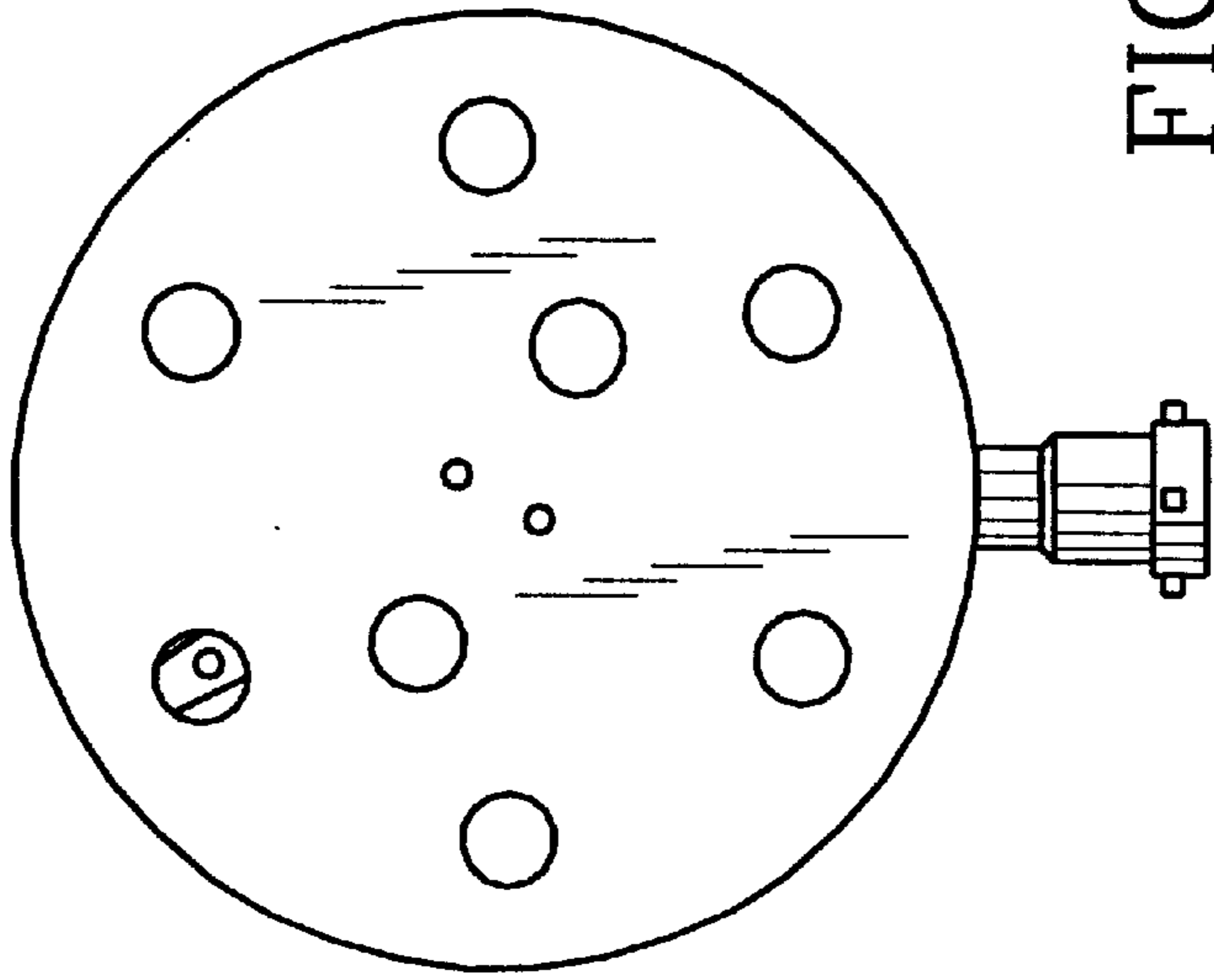


FIG. 6