



US00D480622S

(12) **United States Design Patent**
Kelleghan

(10) **Patent No.:** **US D480,622 S**

(45) **Date of Patent:** **** Oct. 14, 2003**

(54) **CLUB SHAPED CARABINER**

(75) **Inventor:** **Brian James Kelleghan**, Longmont, CO (US)

(73) **Assignee:** **Bison Designs, L.L.C.**, Longmont, CO (US)

(**) **Term:** **14 Years**

(21) **Appl. No.:** **29/175,070**

(22) **Filed:** **Jan. 29, 2003**

(51) **LOC (7) Cl.** **08-05**

(52) **U.S. Cl.** **D8/356**

(58) **Field of Search** D1/104, 120; D8/625, D8/333, 356, 367, 370, 382, 383, 395; 24/583.1, 587.1, 588.1, 588.11, 598.2, 598.3, 599.1, 599.3, 599.5, 599.6, 599.7, 599.9, 600.3, 600.1; 248/925; 294/82.17, 82.19, 82.2; D11/96, 133, 157, 200, 211; D7/126

(56) **References Cited**

U.S. PATENT DOCUMENTS

D75,691 S	*	7/1928	Lampl	D8/395
3,128,724 A	*	4/1964	Linder	428/7
D448,276 S	*	9/2001	Kelleghan	D8/356

* cited by examiner

Primary Examiner—Doris V. Coles

Assistant Examiner—Elizabeth A. Albert

(74) *Attorney, Agent, or Firm*—Margaret Polson; Patent Law Offices of Rick Martin, P.C.

(57) **CLAIM**

The ornamental design for a club shaped carabiner, as shown and described.

DESCRIPTION

FIG. 1 is a top or bottom plan view, which are mirror images, of my new design for a club shaped carabiner.

FIG. 2 is a right elevation view of the carabiner shown in FIG. 1.

FIG. 3 is a left side elevation view of the carabiner shown in FIG. 1.

FIG. 4 is a front side elevation view of the carabiner shown in FIG. 1.

FIG. 5 is a rear side elevation view of the carabiner shown in FIG. 1.

FIG. 6 is a top perspective view of the carabiner shown in FIG. 1.

FIG. 7 is a top or bottom plan view, which are mirror images, of an alternate embodiment of my new design for a club shaped carabiner.

FIG. 8 is a right elevation view of the carabiner shown in FIG. 7.

FIG. 9 is a left elevation view of the carabiner shown in FIG. 7.

FIG. 10 is a front elevation view of the carabiner shown in FIG. 7.

FIG. 11 is a rear elevation view of the carabiner shown in FIG. 7; and,

FIG. 12 is a top perspective view of the carabiner shown in FIG. 7.

1 Claim, 2 Drawing Sheets

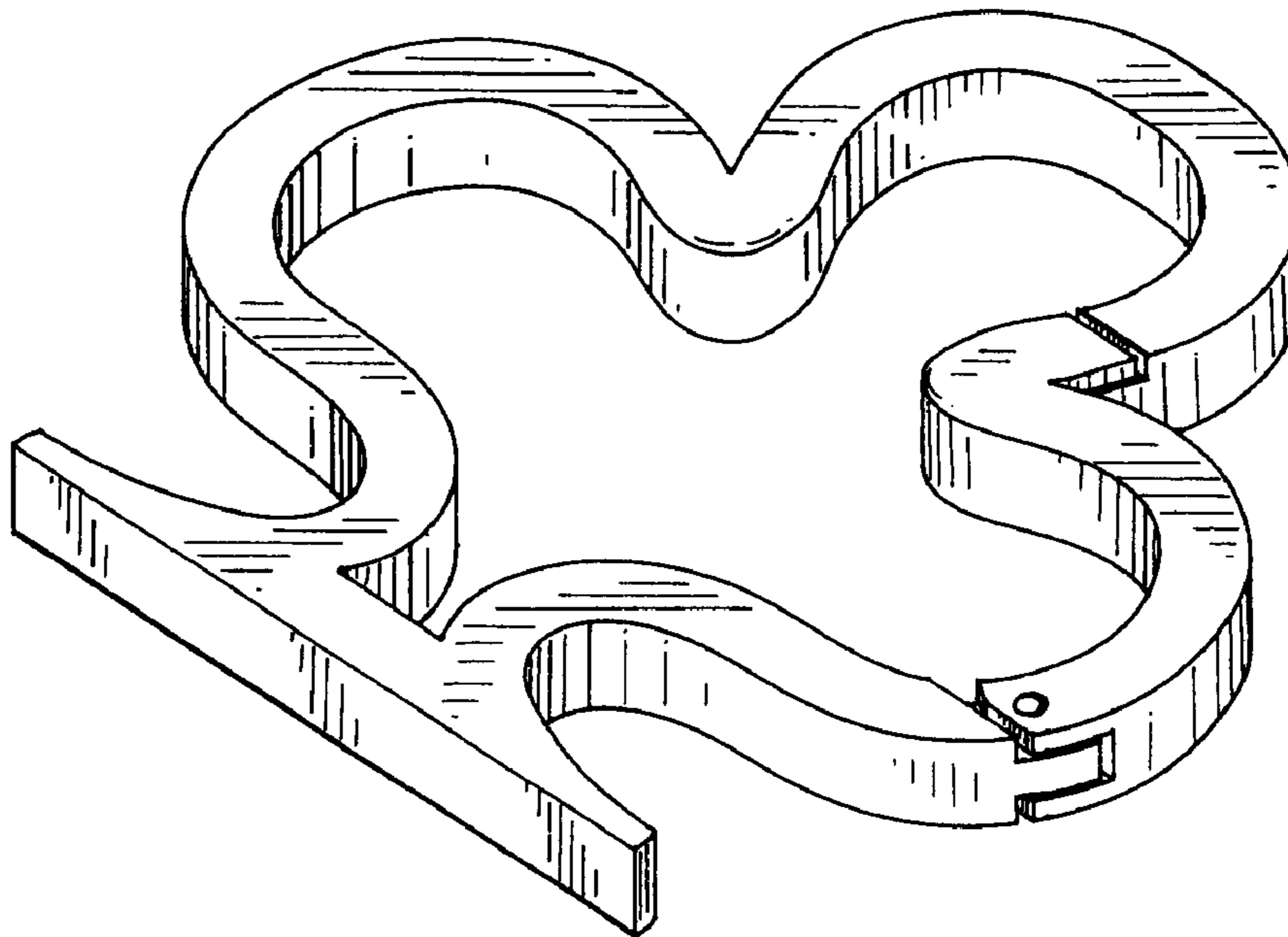




FIG. 4



FIG. 2

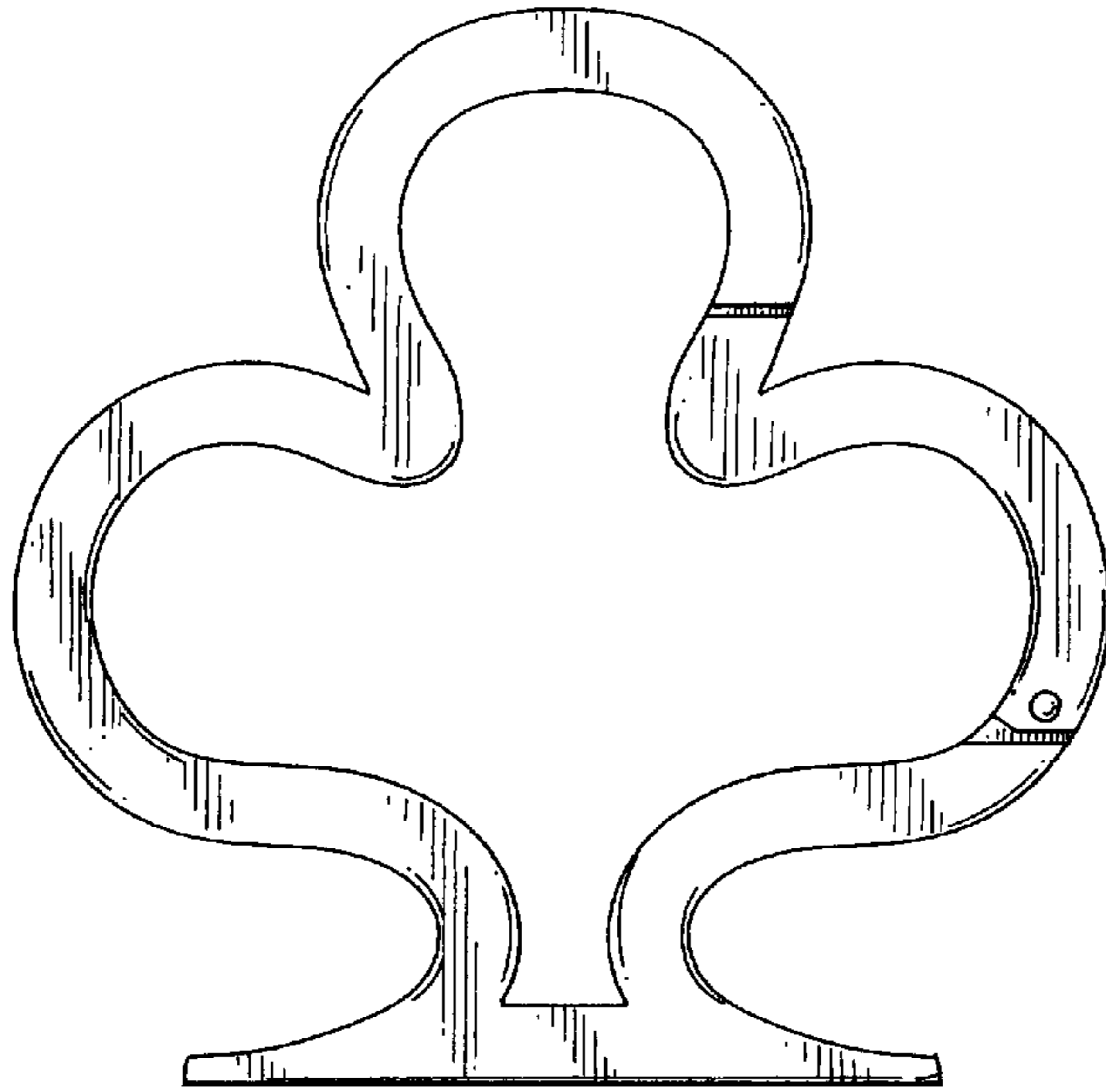


FIG. 1



FIG. 3

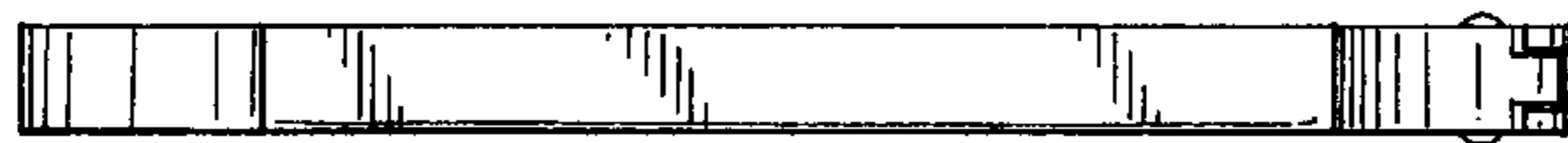


FIG. 5

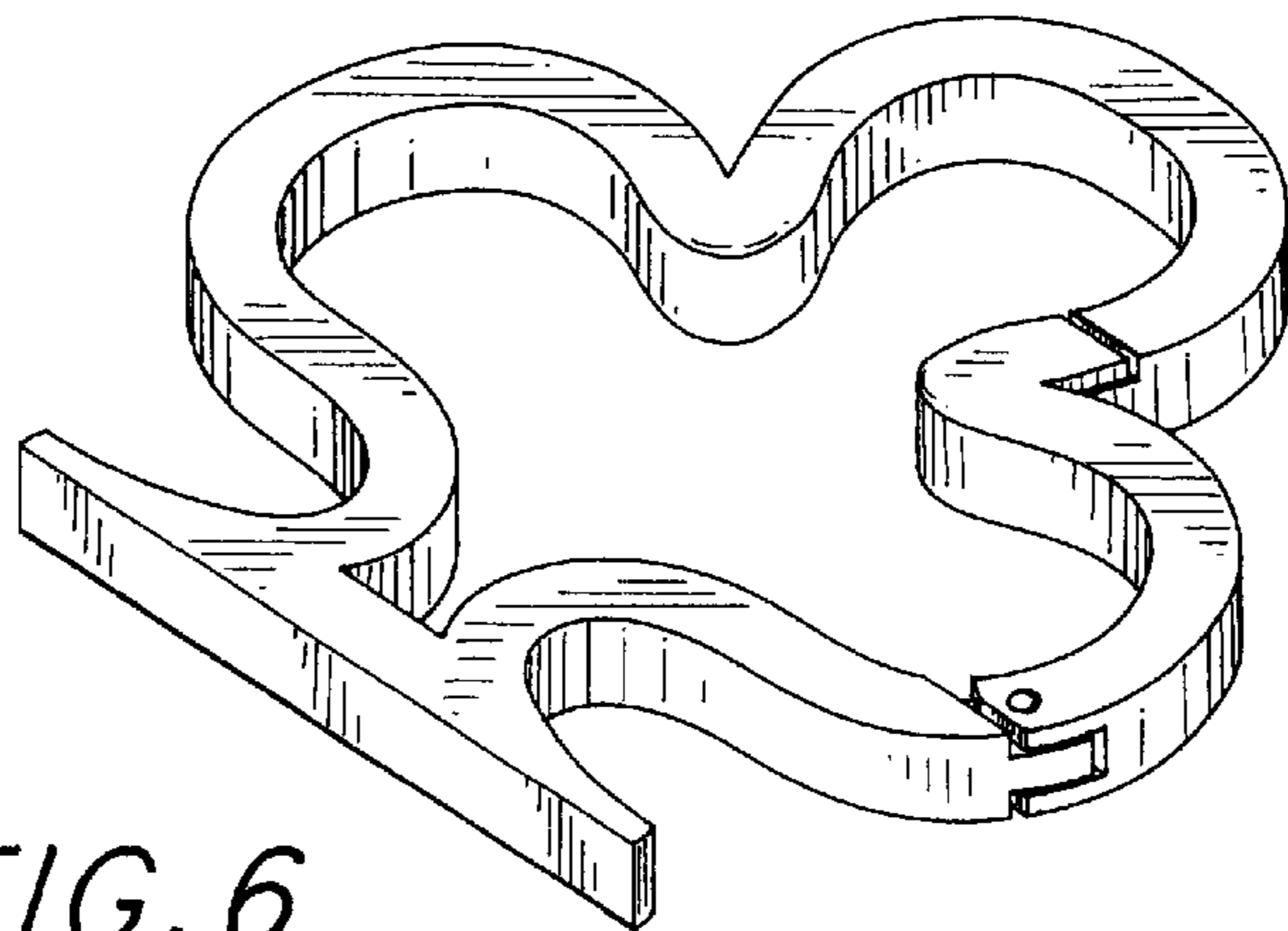


FIG. 6

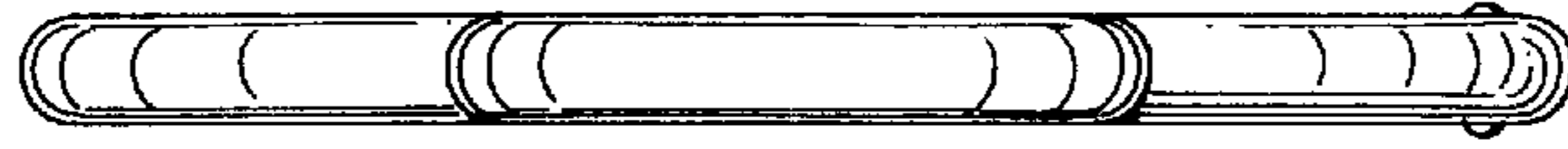


FIG. 10

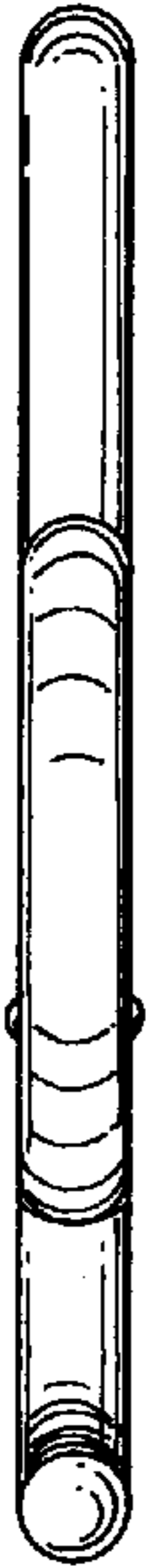


FIG. 8

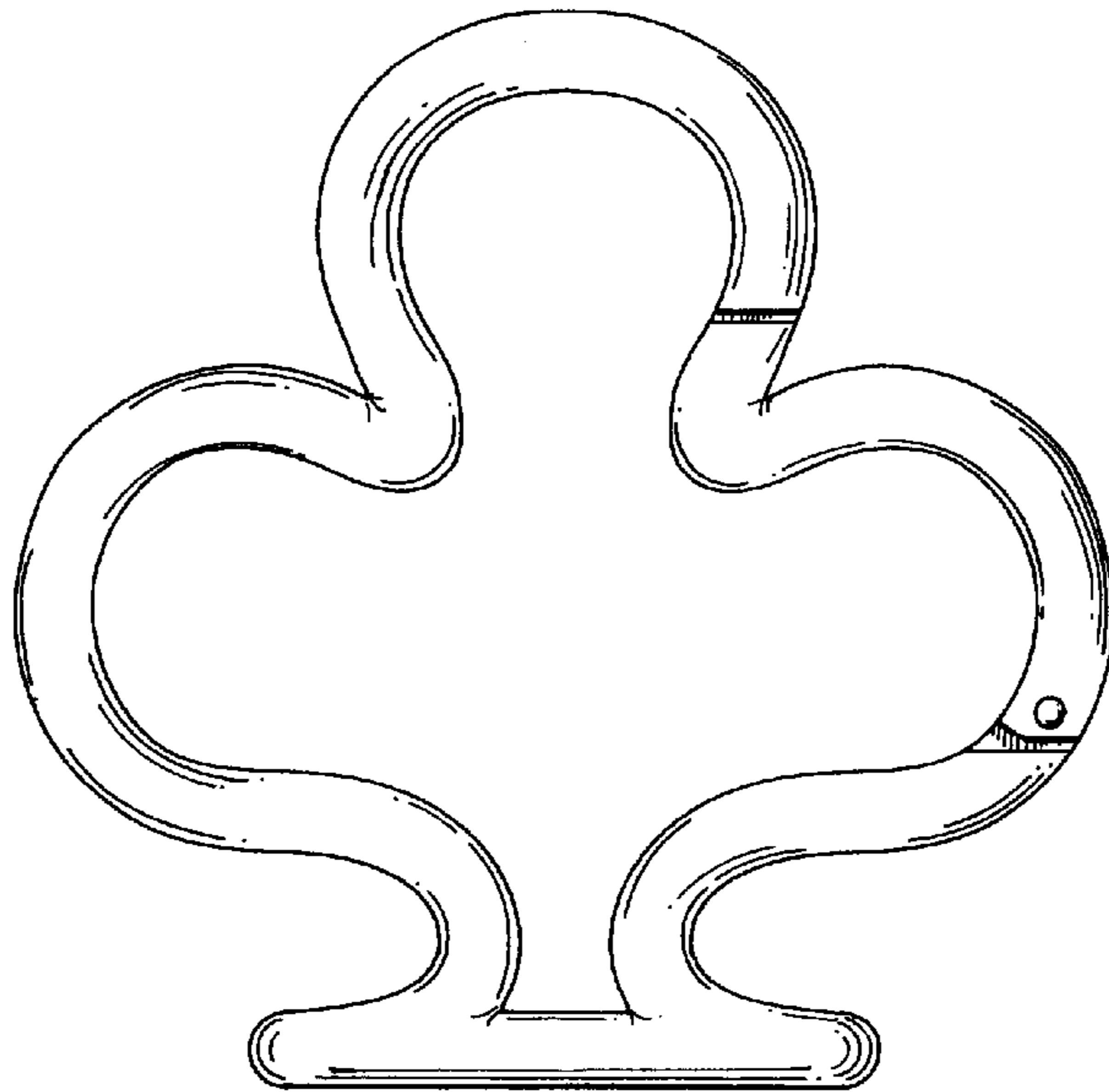


FIG. 7



FIG. 9

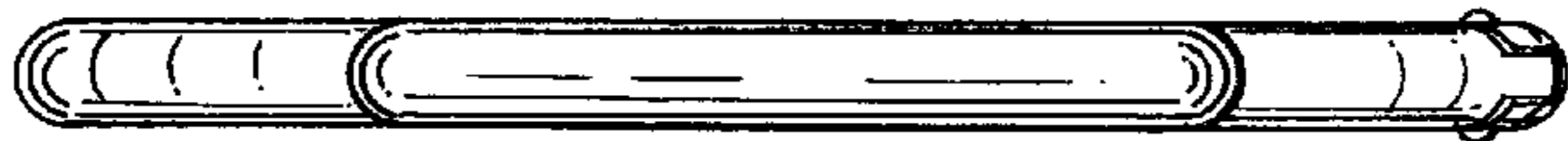


FIG. 11

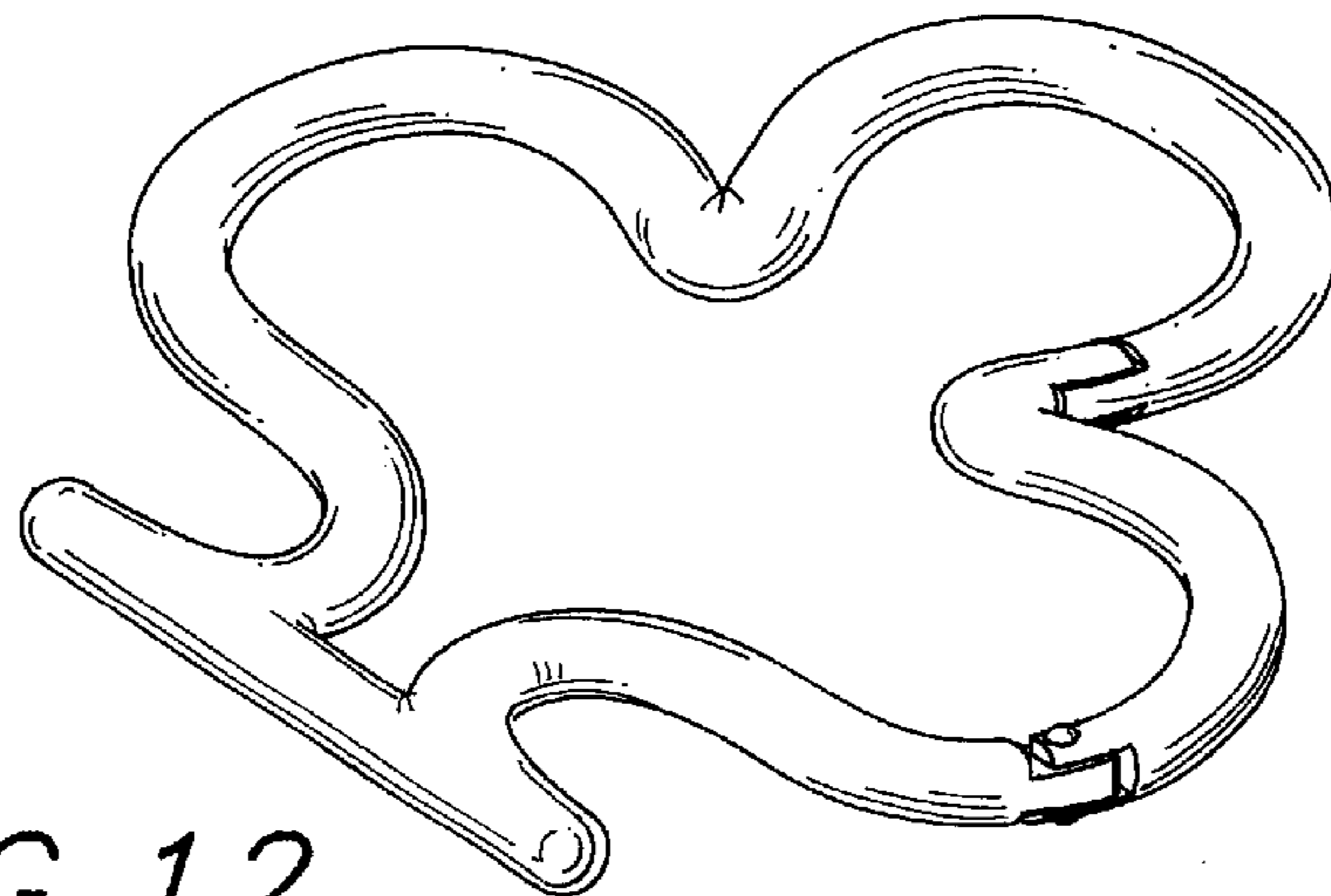


FIG. 12