



US00D480621S

(12) **United States Design Patent**  
**Ling**

(10) **Patent No.:** **US D480,621 S**

(45) **Date of Patent:** **\*\* Oct. 14, 2003**

(54) **ZIPPER LOCK**

(76) **Inventor:** **Renny Tse-Haw Ling**, P.O. Box 4-50,  
Chung-Ho City, Taipei Hsien (TW)

(\*\*) **Term:** **14 Years**

(21) **Appl. No.:** **29/168,121**

(22) **Filed:** **Sep. 27, 2002**

(51) **LOC (7) Cl.** ..... **08-07**

(52) **U.S. Cl.** ..... **D8/331**

(58) **Field of Search** ..... D8/330, 331, 346;  
24/25.11; 70/14, 22-24, 51, 54, 57, 58,  
64, 67-69

(56) **References Cited**

**U.S. PATENT DOCUMENTS**

4,244,086	A	*	1/1981	Gregg	.....	70/68	X
4,395,891	A	*	8/1983	Remington	.....	70/68	
D293,075	S	*	12/1987	Gisiger	.....	D8/330	
4,884,419	A	*	12/1989	Ling	.....	70/68	X
D307,237	S	*	4/1990	Gisiger	.....	D8/331	
D395,813	S	*	7/1998	Chun-Te	.....	D8/330	

\* cited by examiner

*Primary Examiner*—Brian N. Vinson

(74) *Attorney, Agent, or Firm*—Birch, Stewart, Kolasch & Birch, LLP

(57) **CLAIM**

The ornamental design for “zipper lock”, as shown and described.

**DESCRIPTION**

FIG. 1 is a perspective view of “zipper lock” showing our new design thereof;

FIG. 2 is a right side elevational view;

FIG. 3 is a top plan view thereof;

FIG. 4 is a front side elevational view;

FIG. 5 is a bottom plan view thereof;

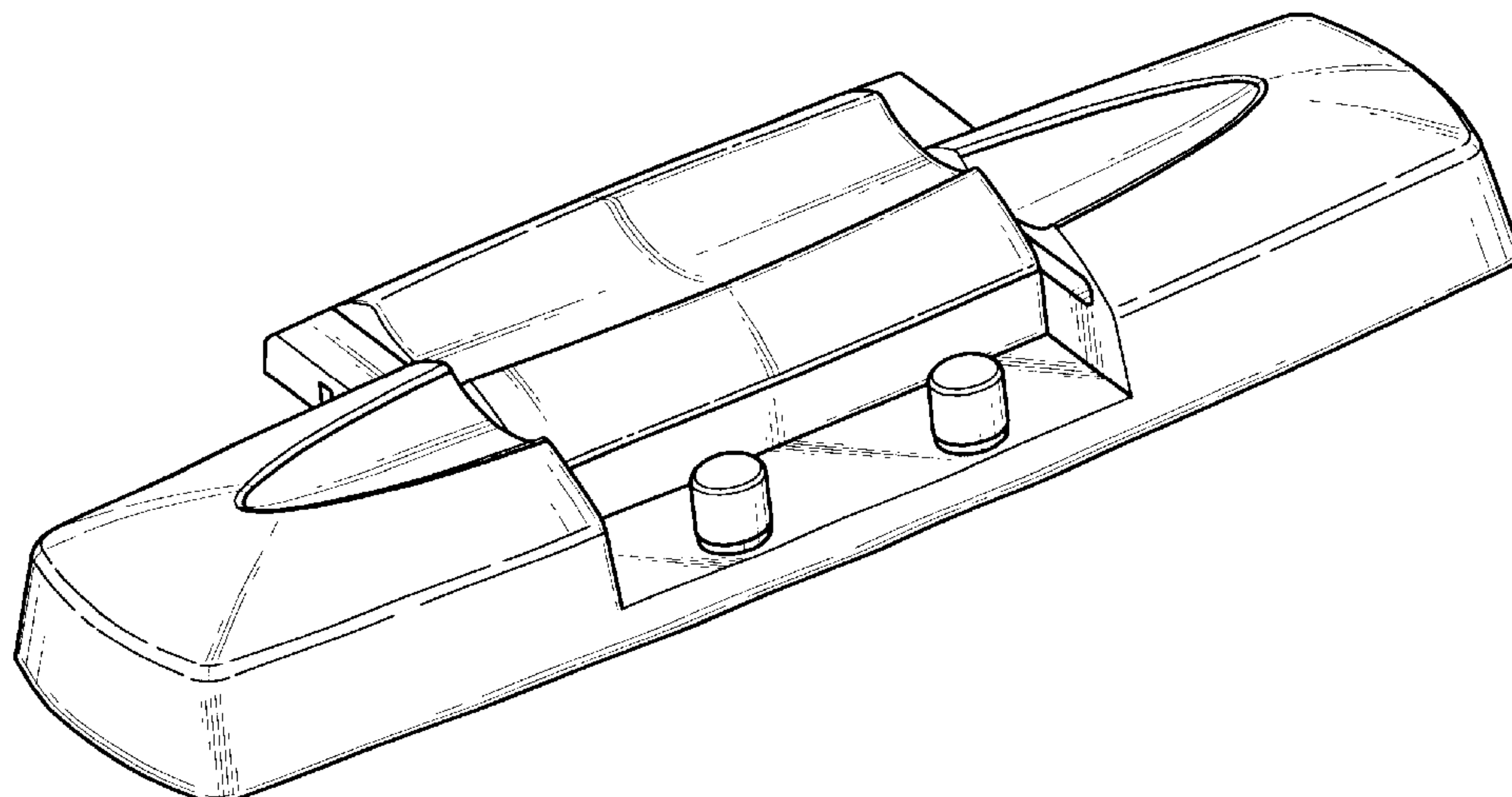
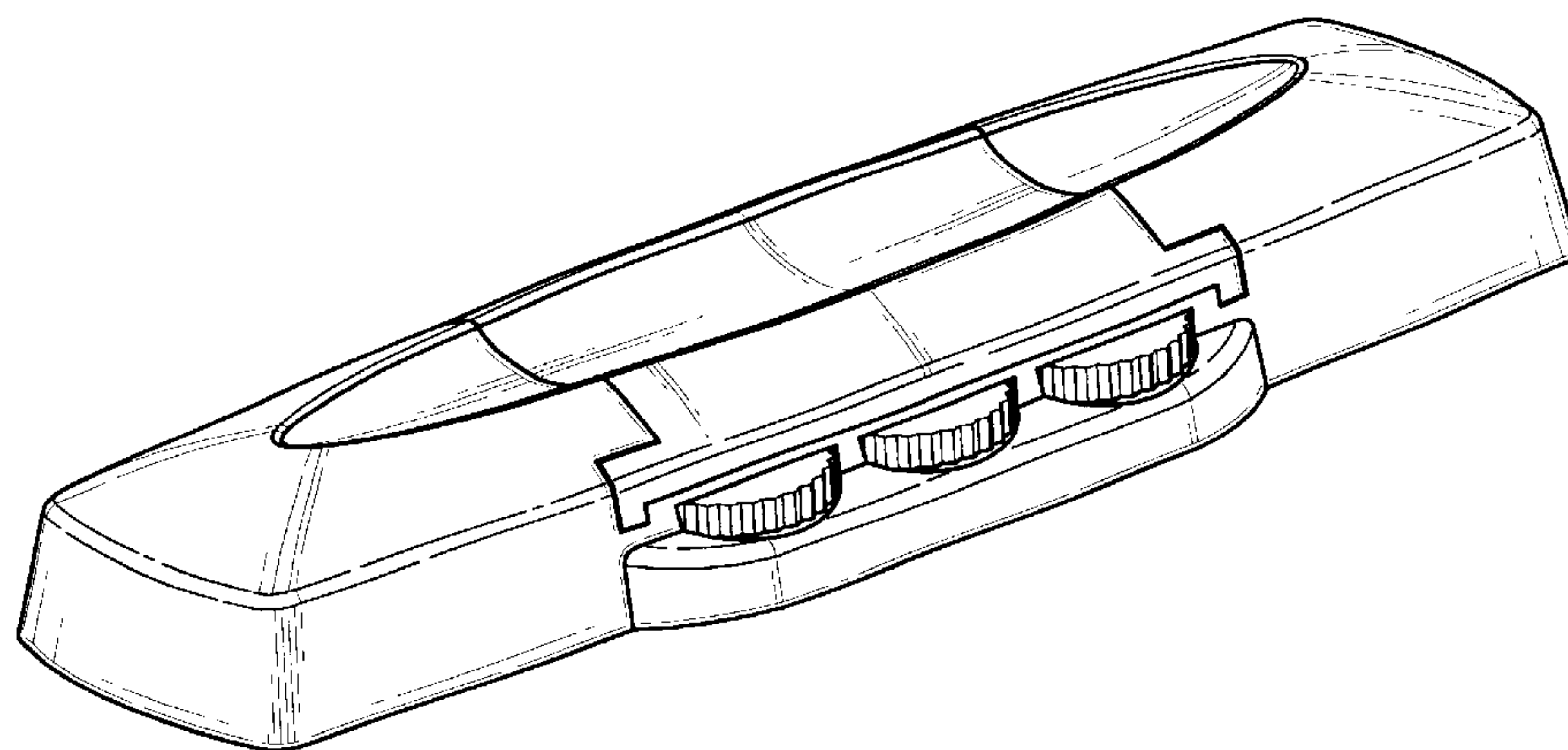
FIG. 6 is a left side elevational view;

FIG. 7 is a rear side elevational view;

FIG. 8 is a perspective view of another side; and,

FIG. 9 is a perspective view thereof shown in using position.

**1 Claim, 5 Drawing Sheets**



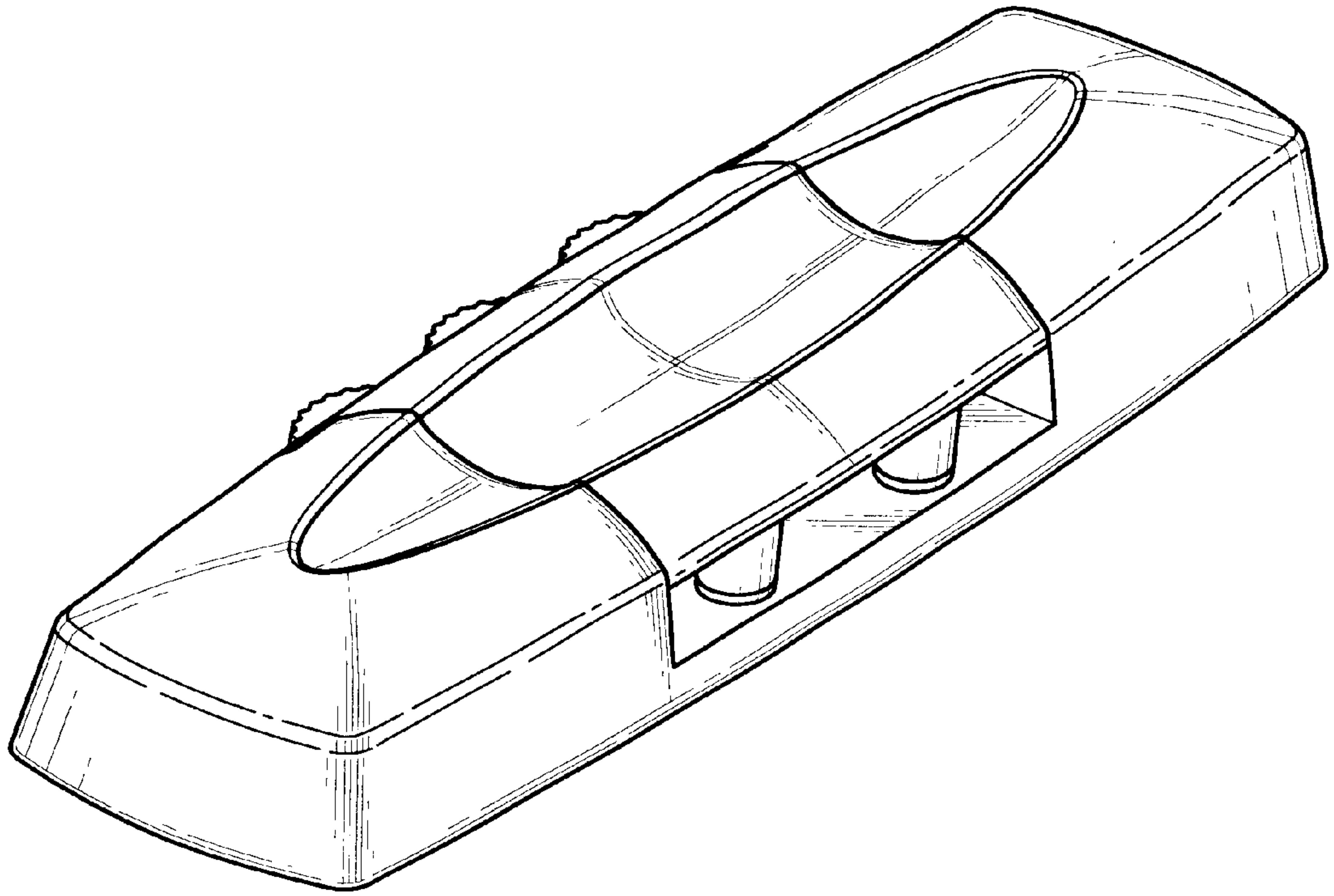


Fig. 1

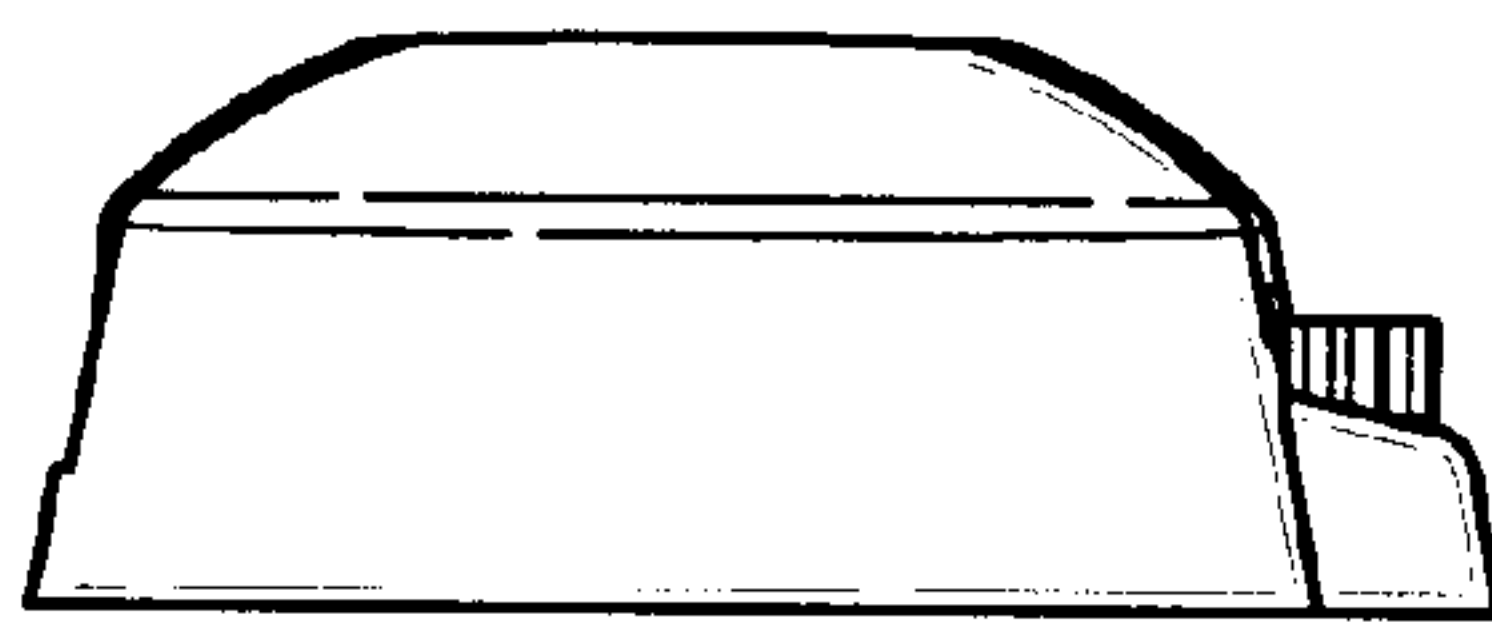


Fig. 2



Fig. 3

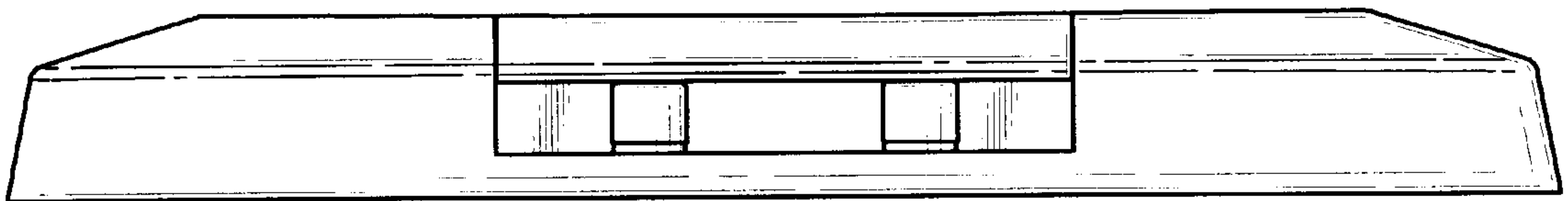


Fig. 4

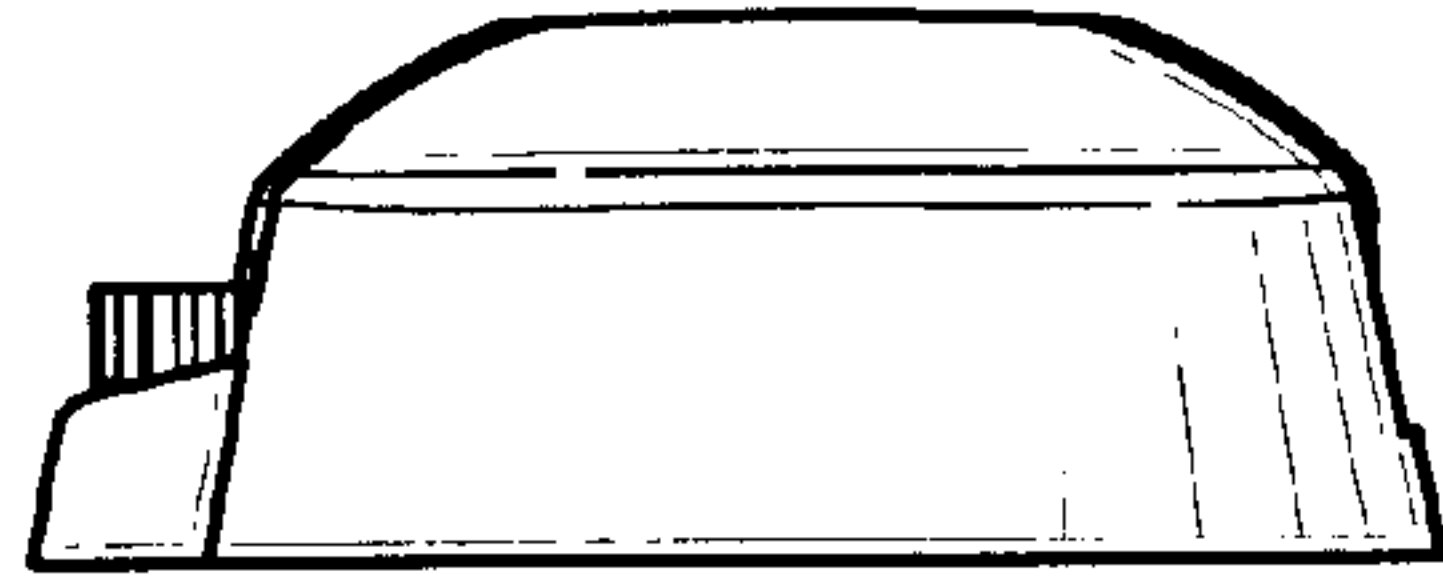


Fig. 6

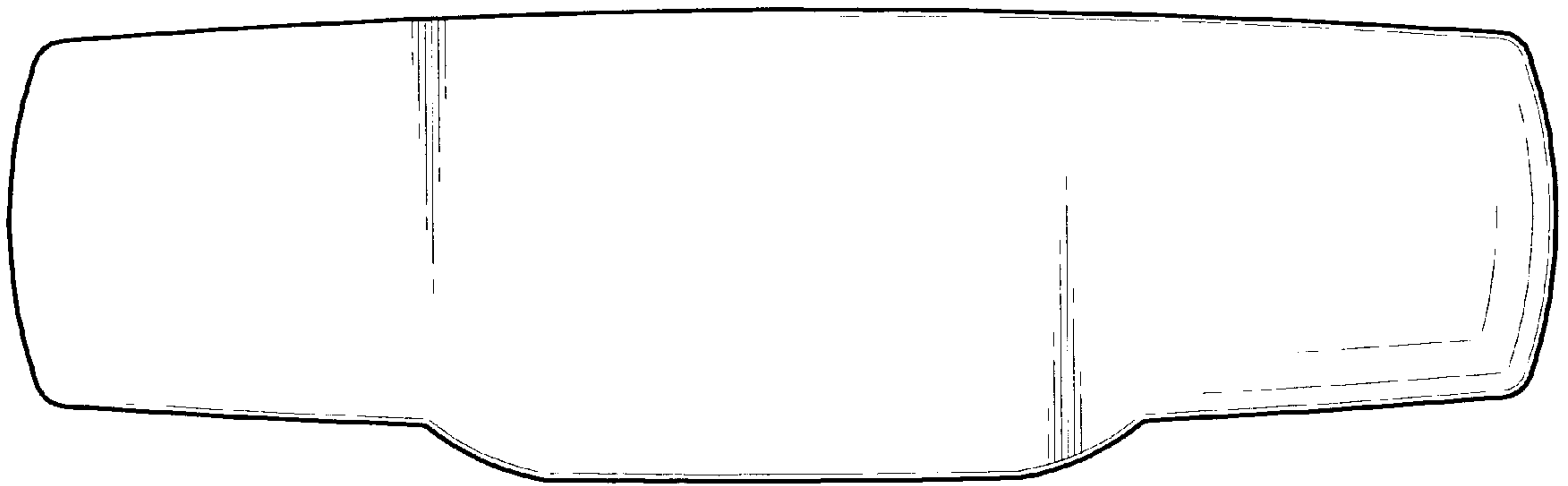


Fig. 5

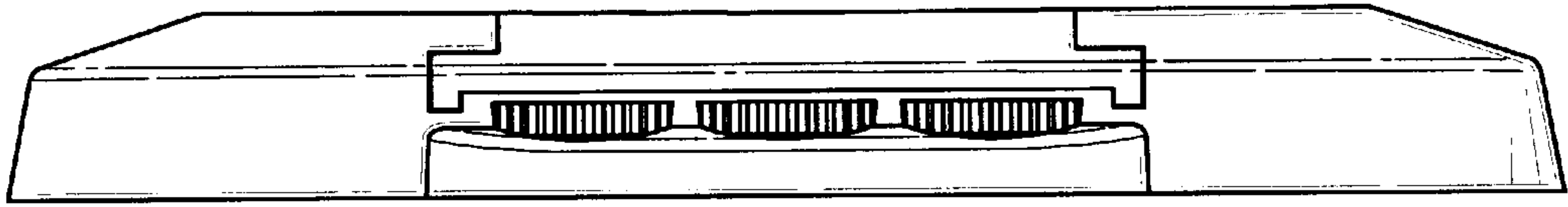


Fig. 7

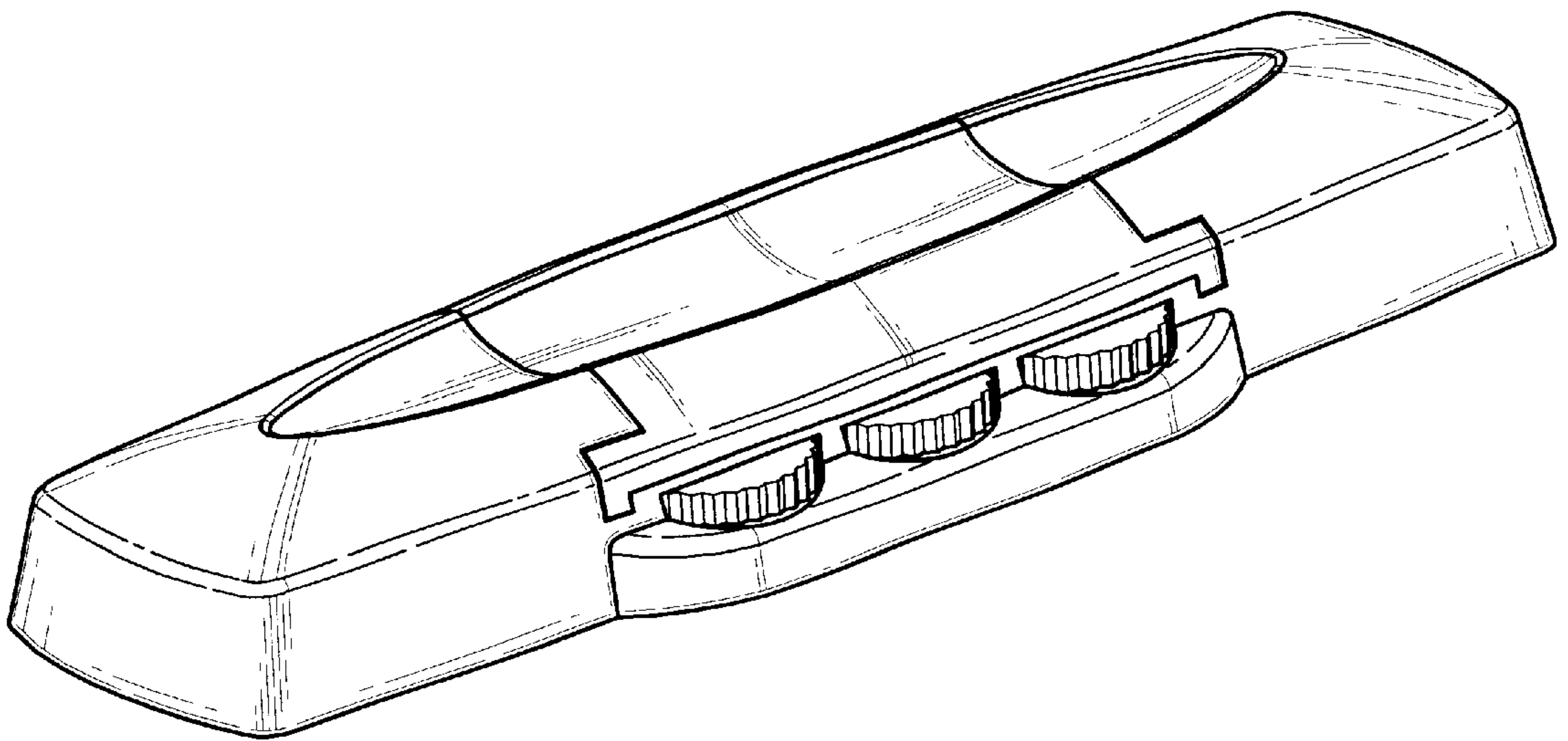


Fig. 8

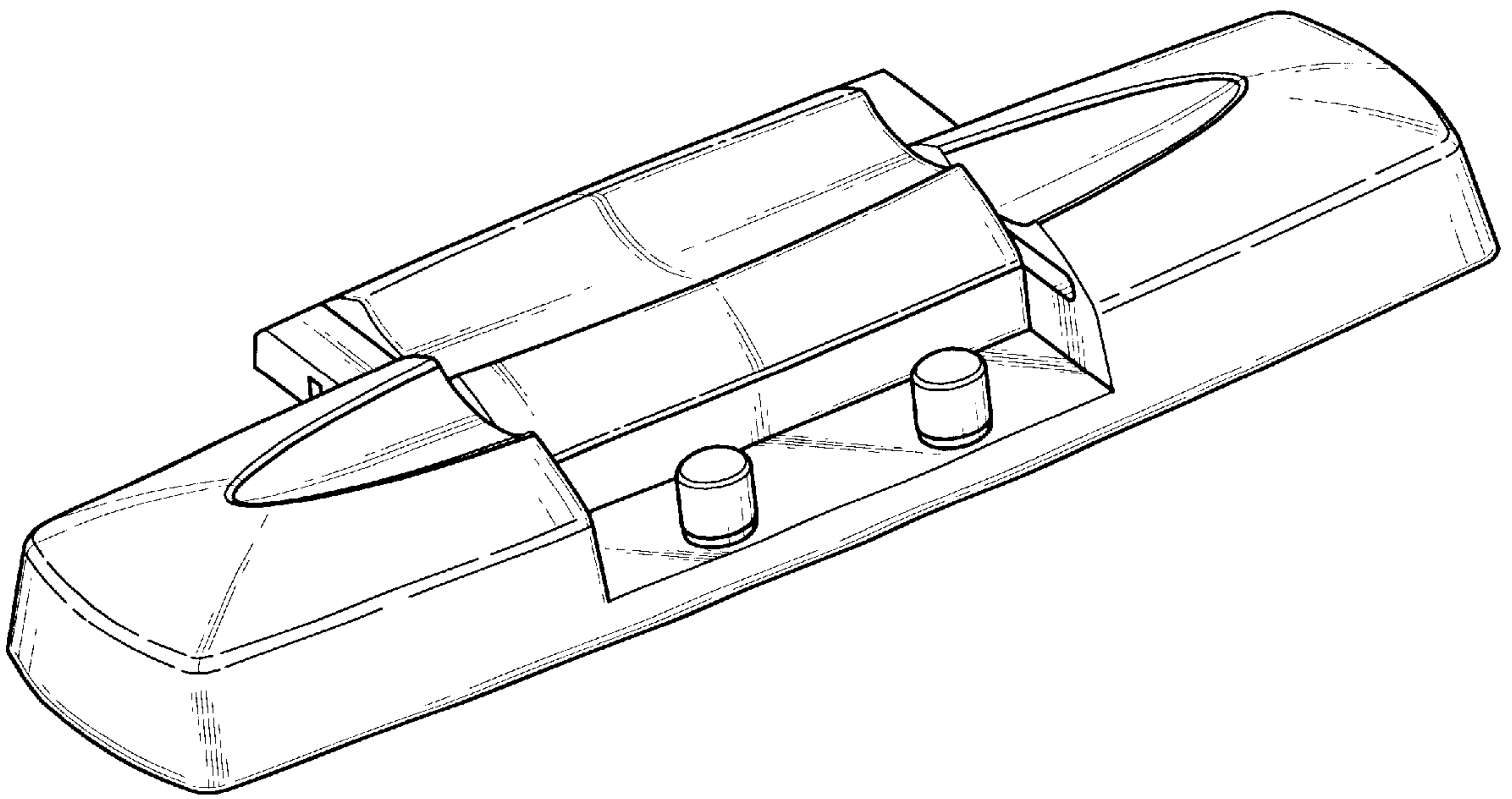


Fig.9