



US00D480619S

(12) **United States Design Patent**
Koenig, Jr.

(10) **Patent No.:** **US D480,619 S**

(45) **Date of Patent:** **** Oct. 14, 2003**

(54) **SANDING BLOCK**

(75) Inventor: **Joseph M. Koenig, Jr.**, Glenview, IL (US)

(73) Assignee: **Trim-Tex, Inc.**, Lincolnwood, IL (US)

(**) Term: **14 Years**

(21) Appl. No.: **29/161,500**

(22) Filed: **May 30, 2002**

(51) **LOC (7) Cl.** **08-05**

(52) **U.S. Cl.** **D8/90**

(58) **Field of Search** D8/14, 90, 91,
D8/92, 93, 94; 451/523, 524, 540, 515,
525, 512, 513, 522; 15/244.1, 244.4; D32/40;
D25/113, 115, 116, 118

(56) **References Cited**

U.S. PATENT DOCUMENTS

1,455,559	A	5/1923	Wright et al.	
2,386,900	A	10/1945	Kingman	
2,414,036	A	1/1947	Gerhan	
D152,607	S	2/1949	Gerlinger	
2,765,593	A	10/1956	Salmon et al.	
2,773,338	A	12/1956	Carter	
3,089,294	A	* 5/1963	Cowley	451/524
3,821,829	A	* 7/1974	Finnerty	15/244.1
4,242,843	A	* 1/1981	Phillips	451/512
4,478,011	A	10/1984	Russell	
D319,766	S	* 9/1991	Erickson	D8/94
5,054,248	A	10/1991	Thayer	
D329,583	S	* 9/1992	Medina	D8/90
D365,507	S	* 12/1995	Pope	D8/90
5,522,763	A	* 6/1996	Regnier	451/502
D377,305	S	* 1/1997	Bliss	D8/90

D392,868	S	*	3/1998	Ansalvish	D8/90
D429,136	S		8/2000	Ali et al.		
6,227,959	B1		5/2001	Beaudry		
6,267,658	B1		7/2001	Ali et al.		

OTHER PUBLICATIONS

Drawing, Figures 1 through 8, of prior sanding block sold by Trim-Tex, Inc. of Lincolnwood, Illinois.
Copy of Ser. No. 10/158,608, as filed May, 30, 2002, by Joseph M. Koenig, Jr. and assigned commonly herewith.

* cited by examiner

Primary Examiner—Philip S. Hyder

(74) *Attorney, Agent, or Firm*—Wood, Phillips, Katz, Clark & Mortimer

(57) **CLAIM**

The ornamental design for a sanding block, as shown and described.

DESCRIPTION

FIG. 1 is a perspective view of a sanding block showing my new design, as seen from an upper, rear, end vantage;
FIG. 2 is a perspective view thereof, as seen from a lower, front, end vantage;
FIG. 3 is a top plan thereof;
FIG. 4 is an end view thereof, as seen from the end shown in FIG. 1;
FIG. 5 is a front elevation thereof;
FIG. 6 is an end view thereof, as seen from the end shown in FIG. 2;
FIG. 7 is a rear elevation thereof; and,
FIG. 8 is a bottom plan thereof.

1 Claim, 1 Drawing Sheet

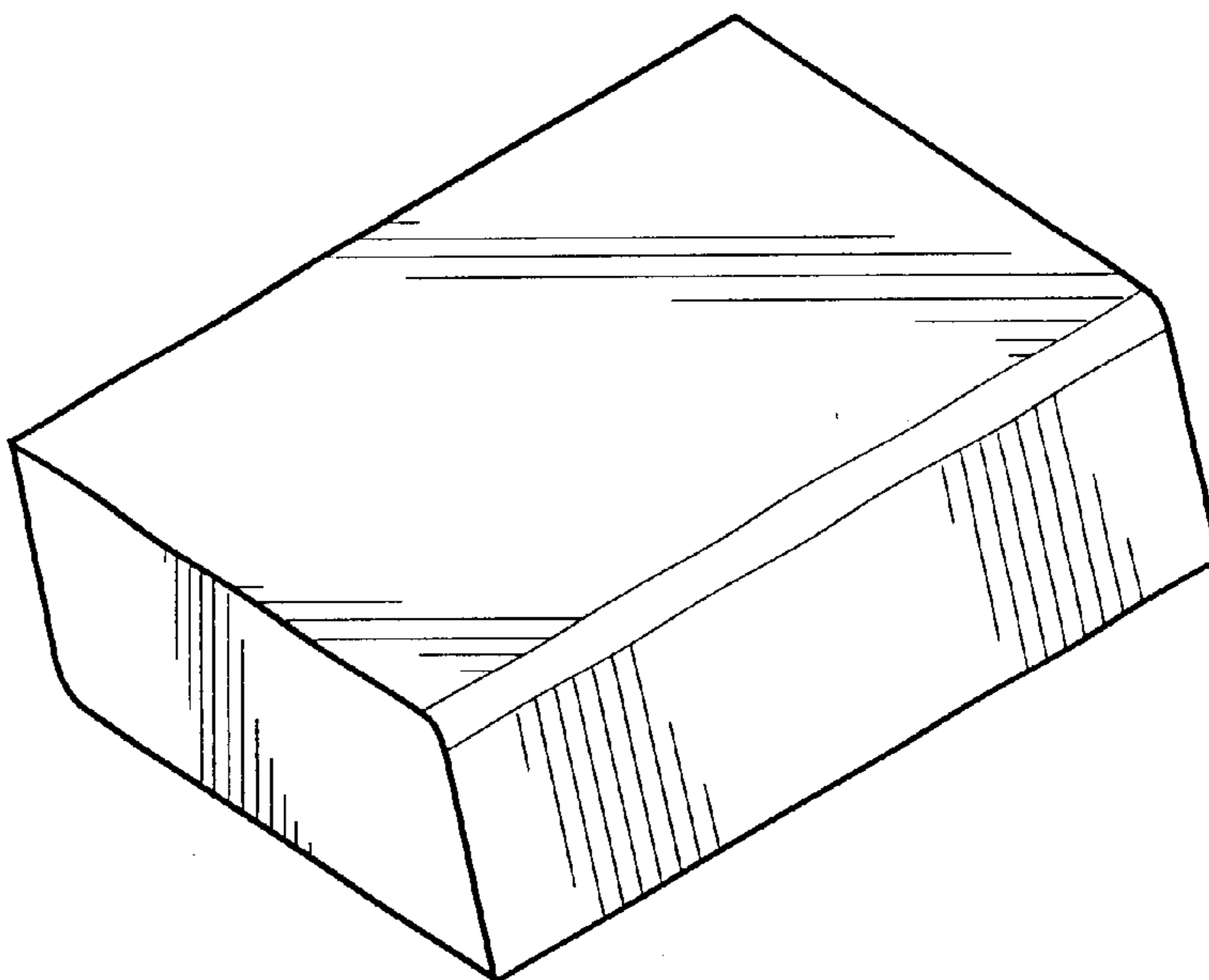


Fig. 1

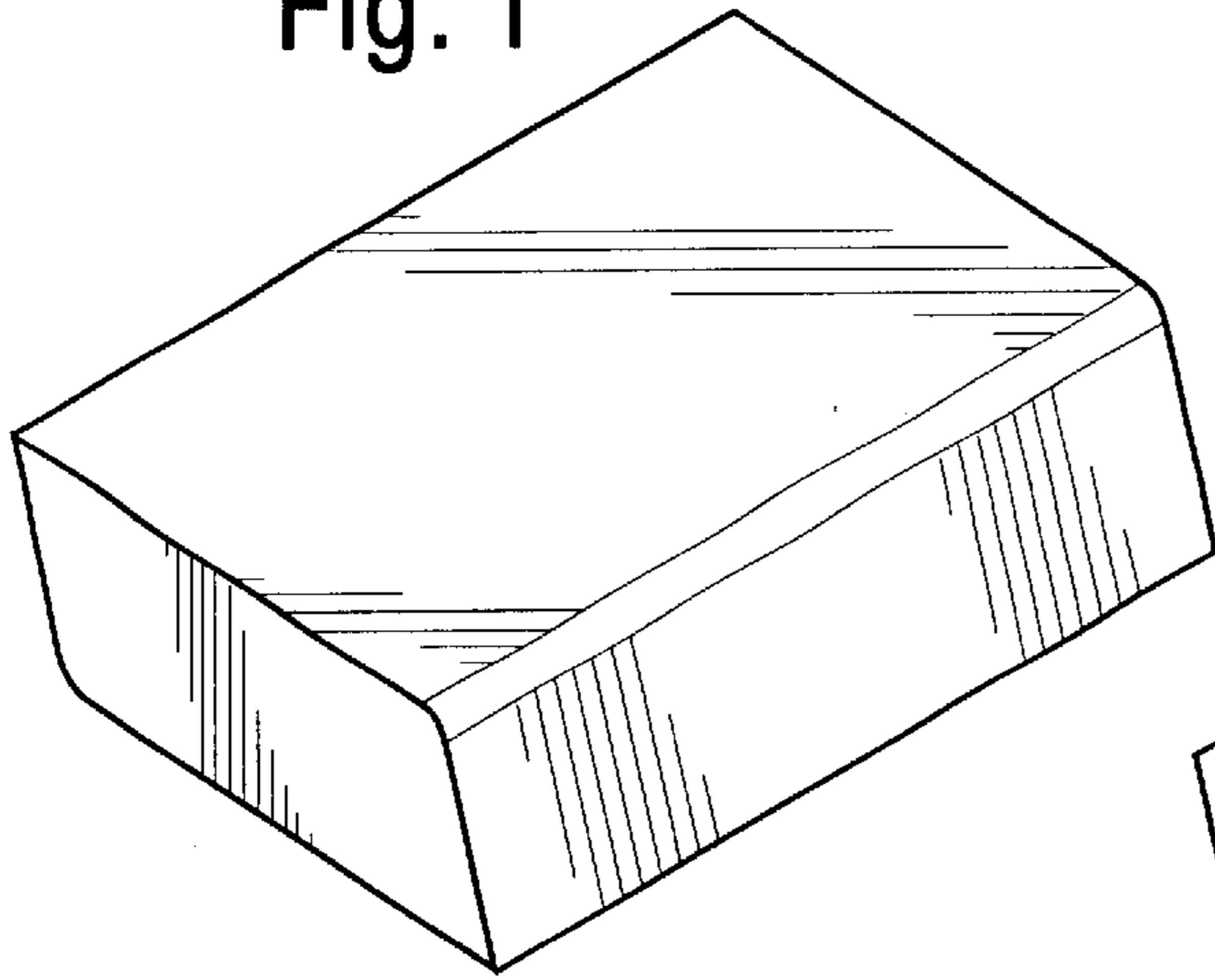


Fig. 2

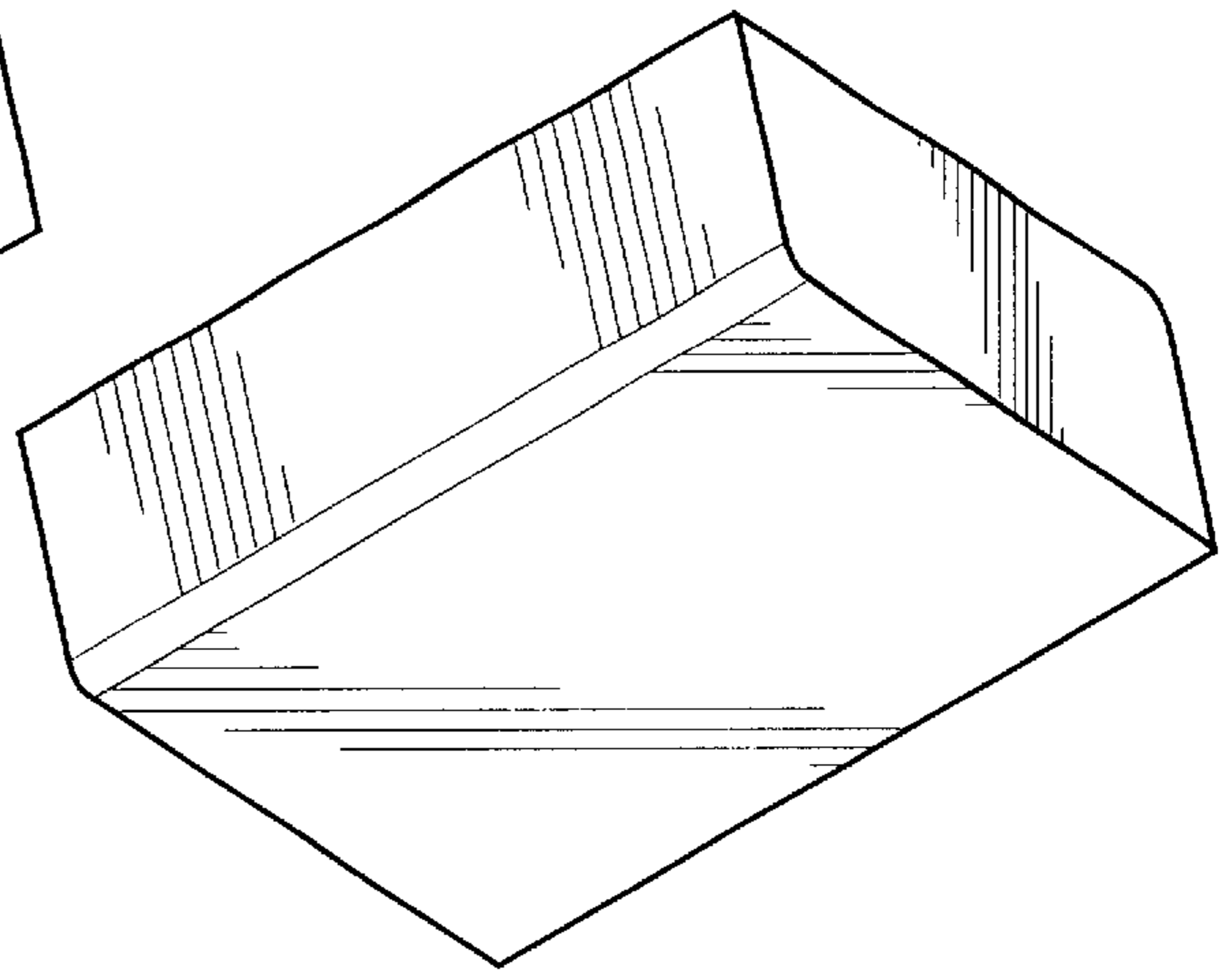


Fig. 3

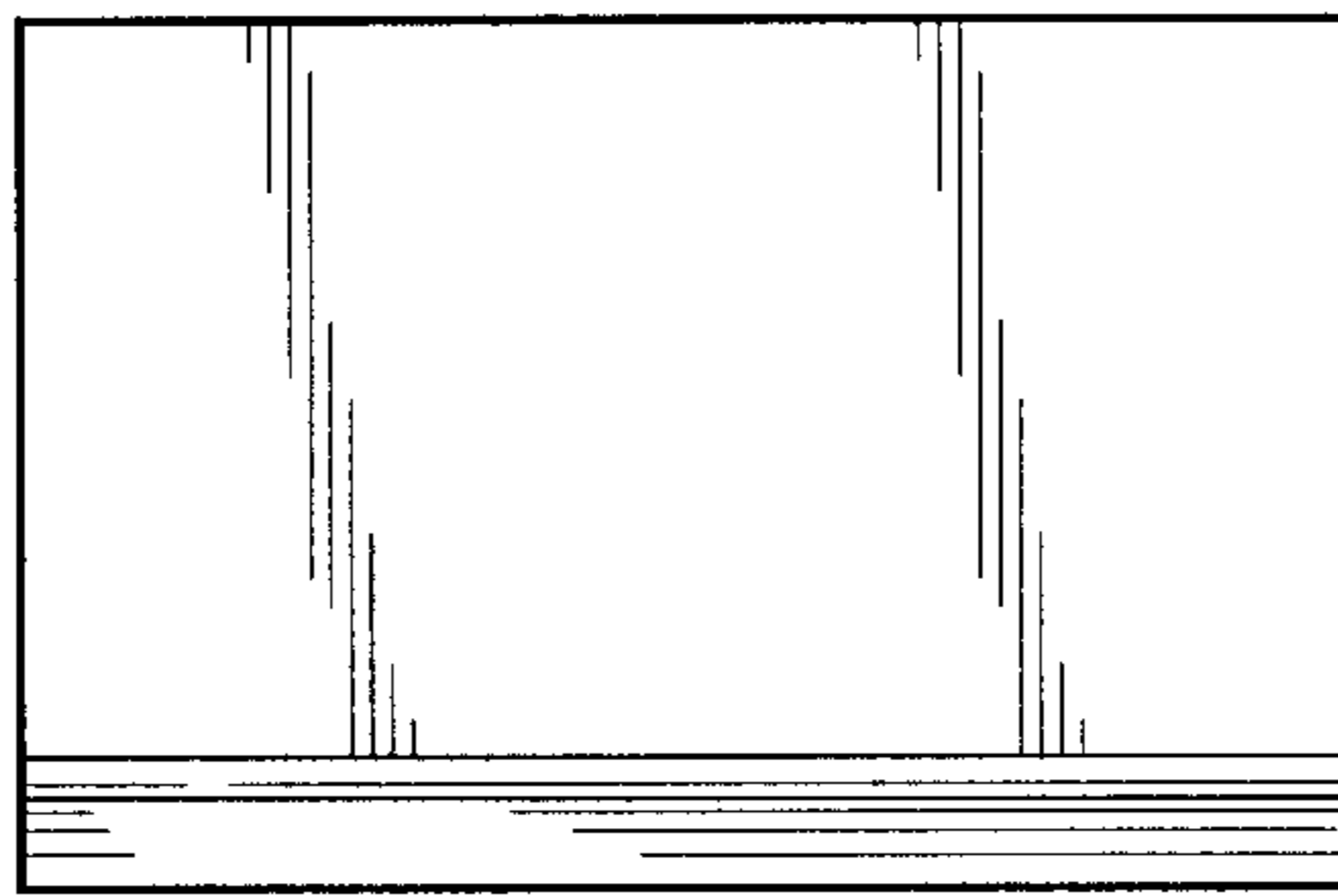


Fig. 4

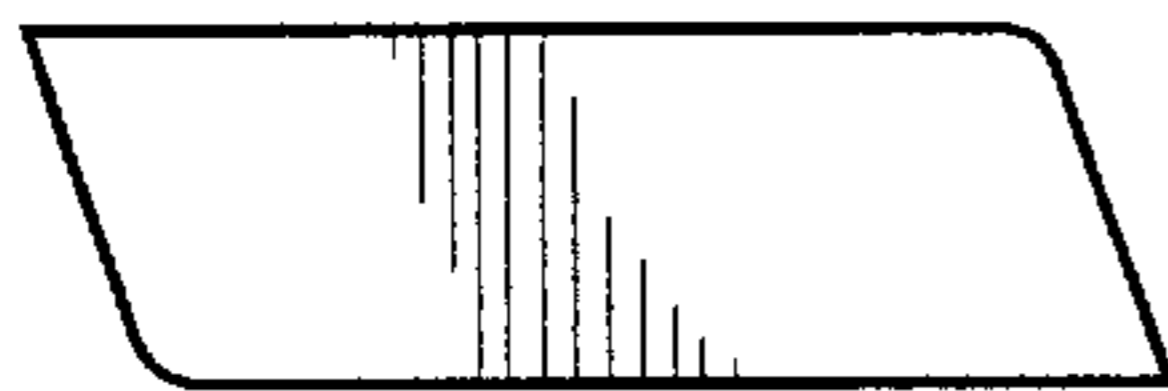


Fig. 5

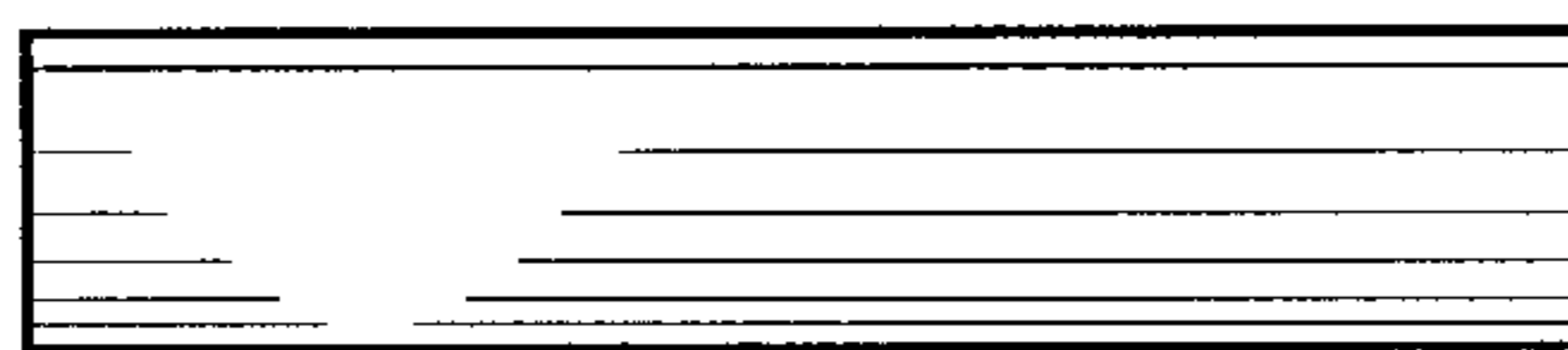


Fig. 6

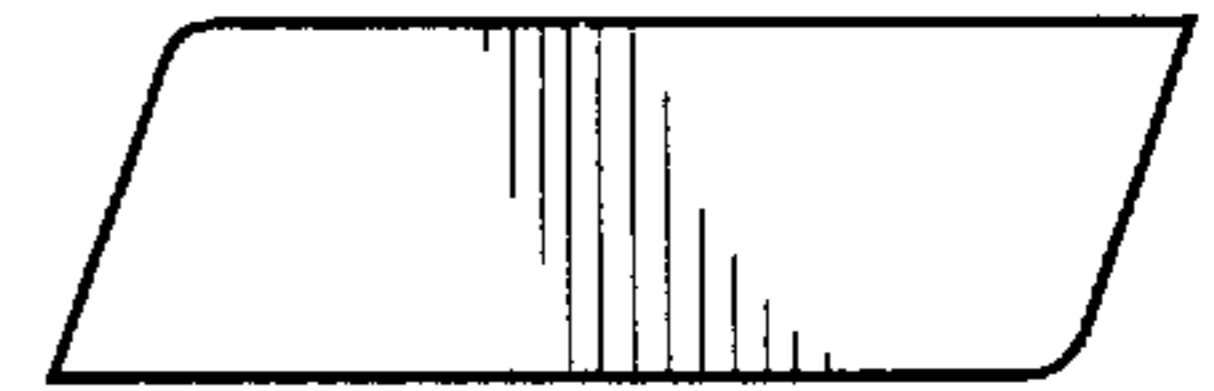


Fig. 7

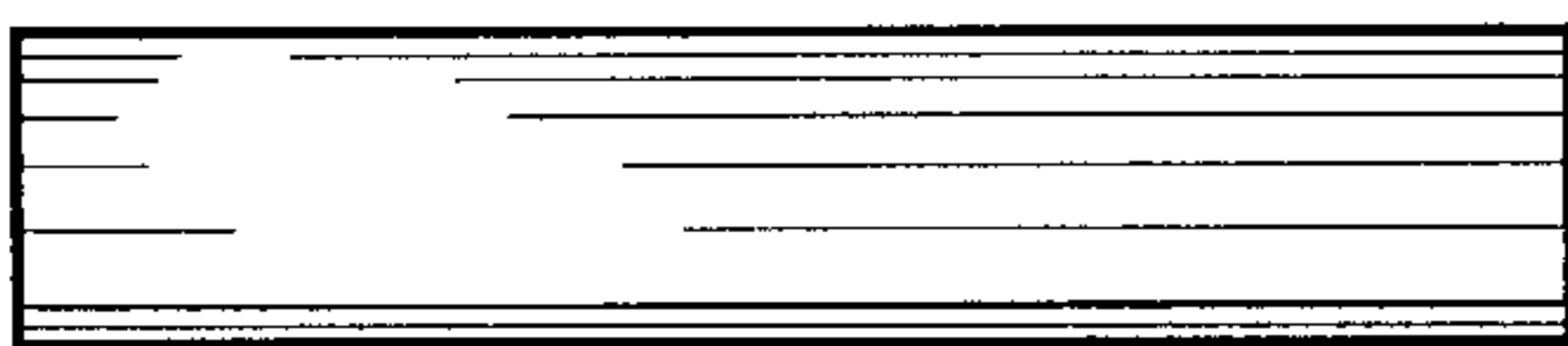


Fig. 8

