



US00D480616S

(12) **United States Design Patent**
Welsh

(10) **Patent No.:** **US D480,616 S**

(45) **Date of Patent:** **** Oct. 14, 2003**

(54) **RECIPROCATING SAW**

(75) **Inventor:** **Robert P. Welsh**, Hunt Valley, MD
(US)

(73) **Assignee:** **Black & Decker Inc.**, Newark, DE
(US)

(**) **Term:** **14 Years**

(21) **Appl. No.:** **29/177,650**

(22) **Filed:** **Mar. 13, 2003**

(51) **LOC (7) Cl.** **08-03**

(52) **U.S. Cl.** **D8/64**

(58) **Field of Search** D8/61, 64, 67,
D8/69, 70; D24/146; 30/373, 374, 375,
376, 377, 388, 389, 391, 392, 393, 394;
83/699.21; 173/170, 216, 217

(56) **References Cited**

U.S. PATENT DOCUMENTS

D202,255 S	9/1965	Romain et al.
D292,368 S	10/1987	Mikiya
D322,921 S	1/1992	Bosten et al.
D329,794 S	9/1992	Graham
D339,510 S	9/1993	Sakamoto et al.
D401,128 S	11/1998	Zurwelle
D408,699 S	4/1999	Zurwelle
D409,468 S	5/1999	Uchida et al.
D415,100 S	10/1999	Buck
D416,180 S	11/1999	Sakai et al.
D428,786 S	8/2000	Hayakawa et al.

D434,627 S	12/2000	Buck	
6,189,217 B1 *	2/2001	Melvin et al.	30/392
D440,849 S	4/2001	Sakai et al.	
6,272,757 B1 *	8/2001	Roe	30/377
D447,924 S	9/2001	Neitzell et al.	
6,286,217 B1 *	9/2001	Dassoulas et al.	30/392
6,286,609 B1 *	9/2001	Carrier et al.	173/1
D456,233 S	4/2002	Main	
D468,982 S	1/2003	Brazell et al.	
D471,418 S *	3/2003	Chunn et al.	D8/64
D473,771 S *	4/2003	Hayakawa et al.	D8/64
6,568,089 B1 *	5/2003	Popik et al.	30/392

* cited by examiner

Primary Examiner—Doris V. Coles

Assistant Examiner—Elizabeth A. Albert

(74) *Attorney, Agent, or Firm*—Michael P. Leary; Bruce S. Shapiro; John D. Del Ponti

(57) **CLAIM**

The ornamental design for a reciprocating saw, as shown and described.

DESCRIPTION

FIG. 1 is a perspective view of the reciprocating saw showing my new design.

FIG. 2 is a front view thereof.

FIG. 3 is a rear view thereof;

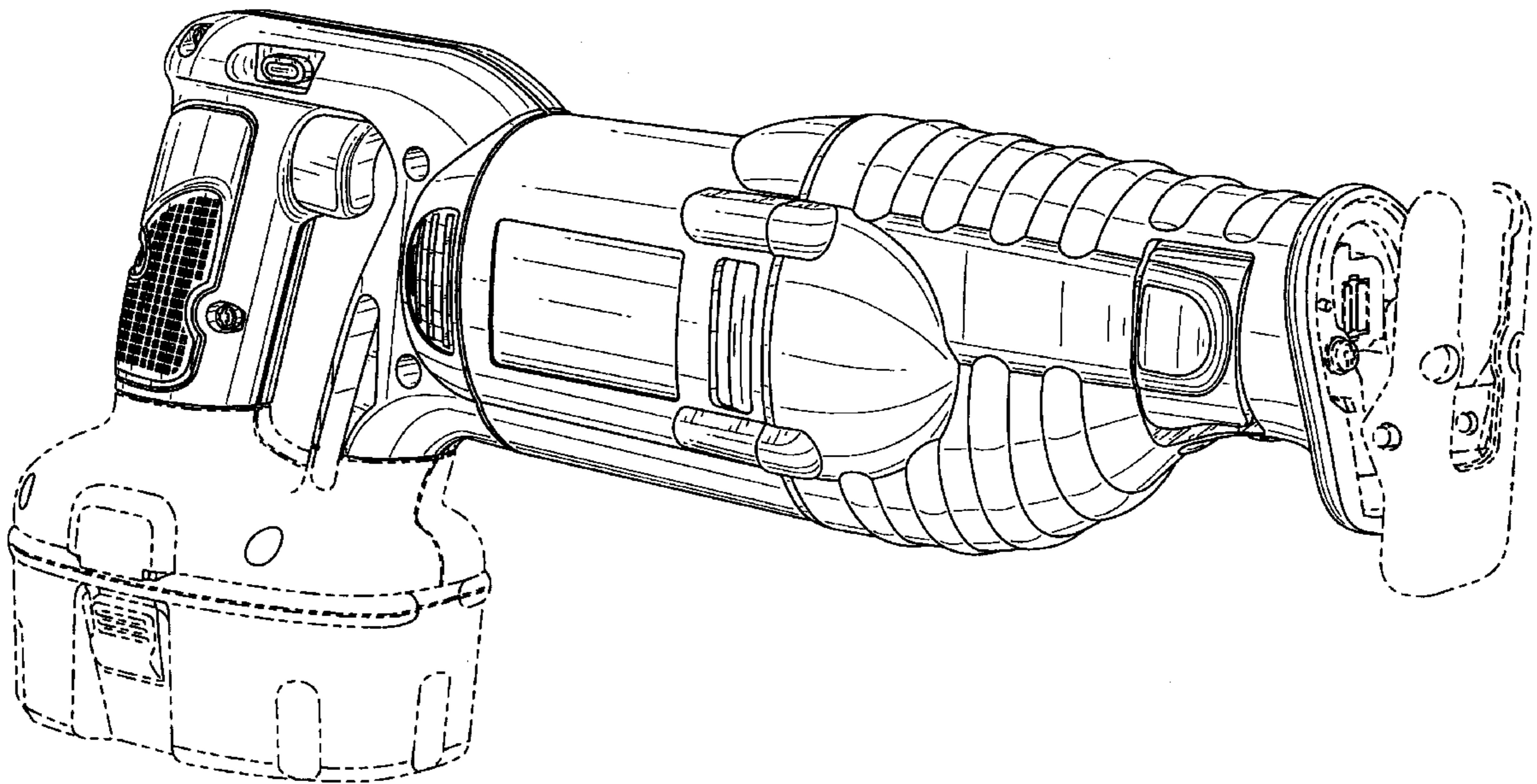
FIG. 4 is a right side view thereof;

FIG. 5 is a left side view thereof.

FIG. 6 is a top plan view thereof; and,

FIG. 7 is a bottom plan view thereof.

1 Claim, 6 Drawing Sheets



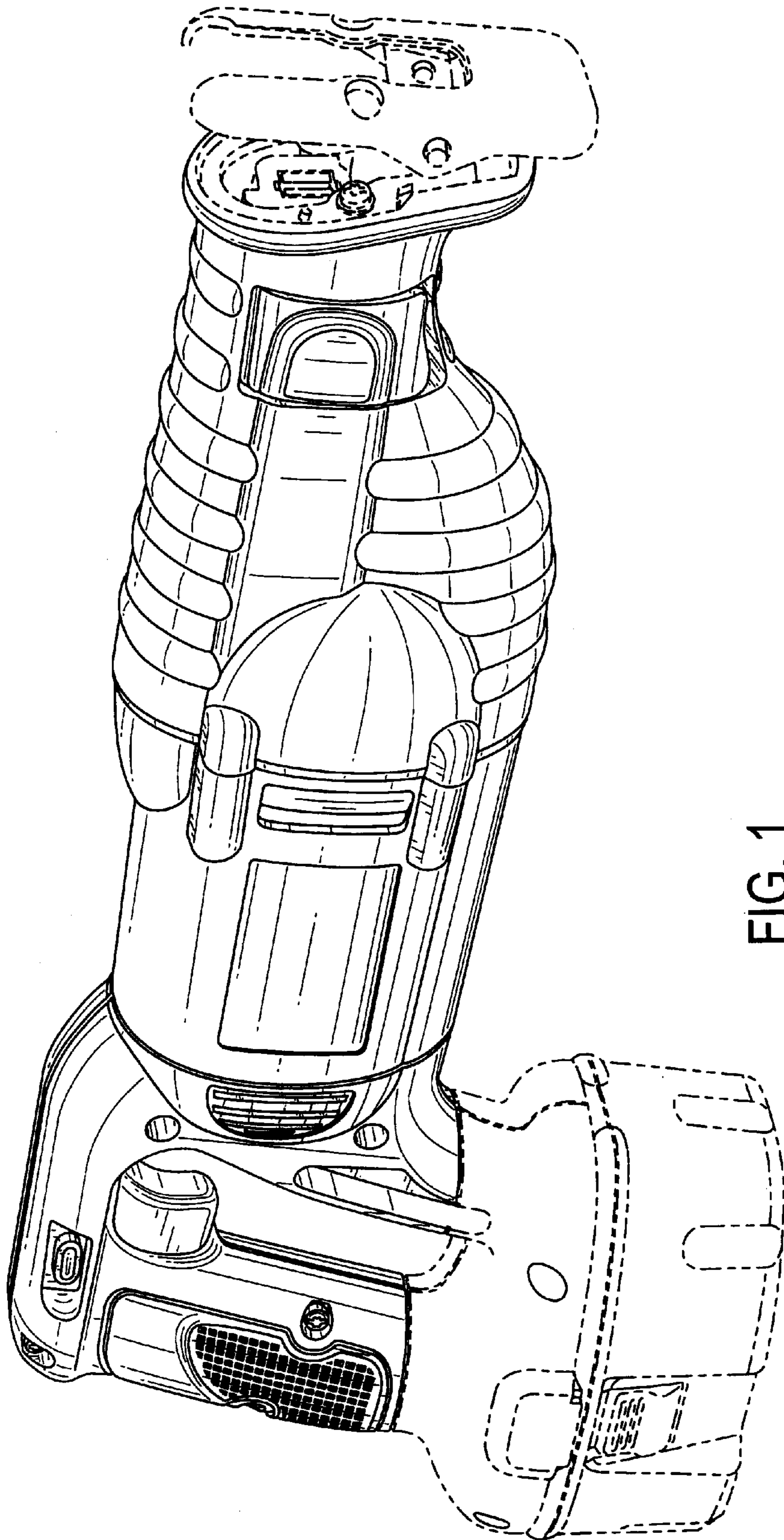


FIG. 1

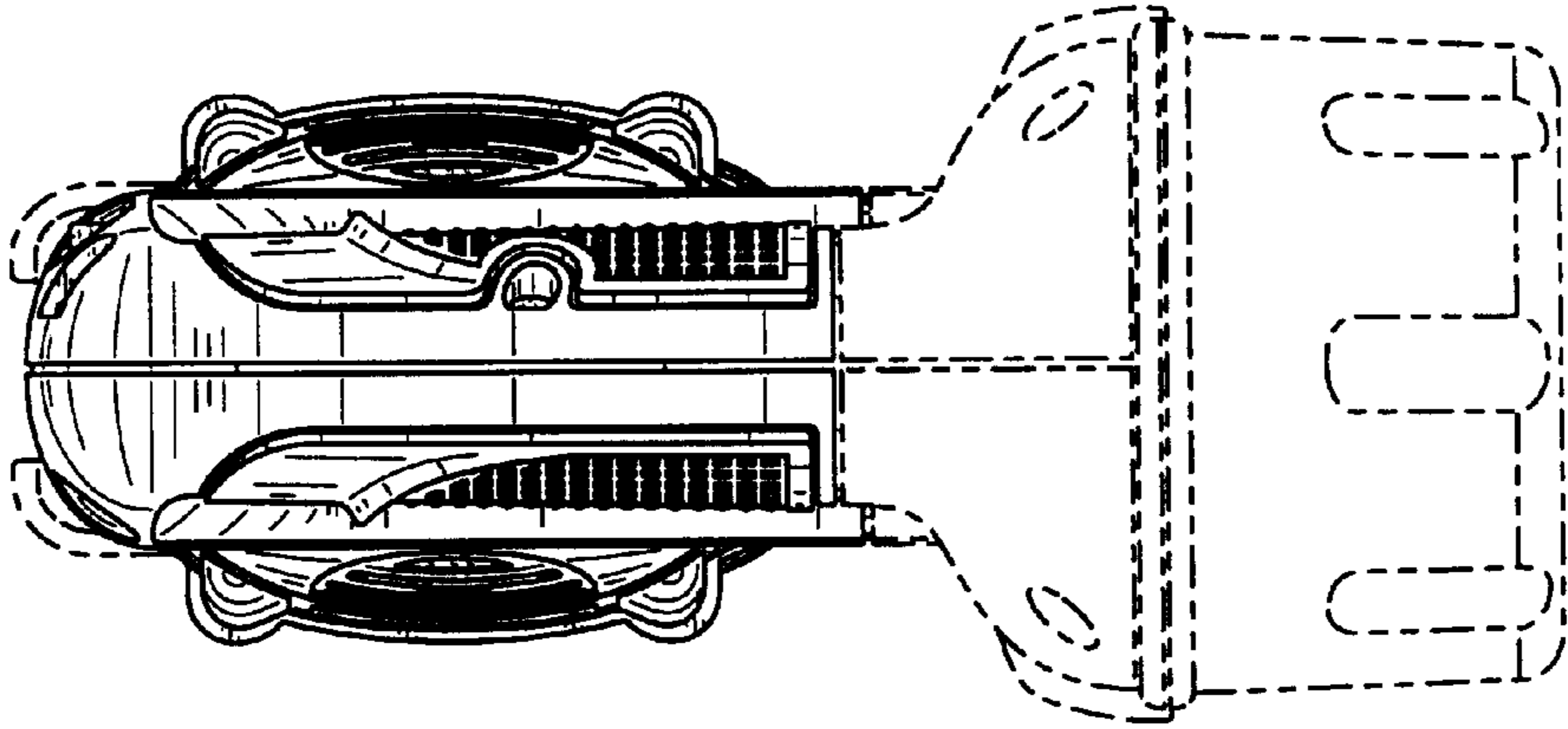


FIG. 3

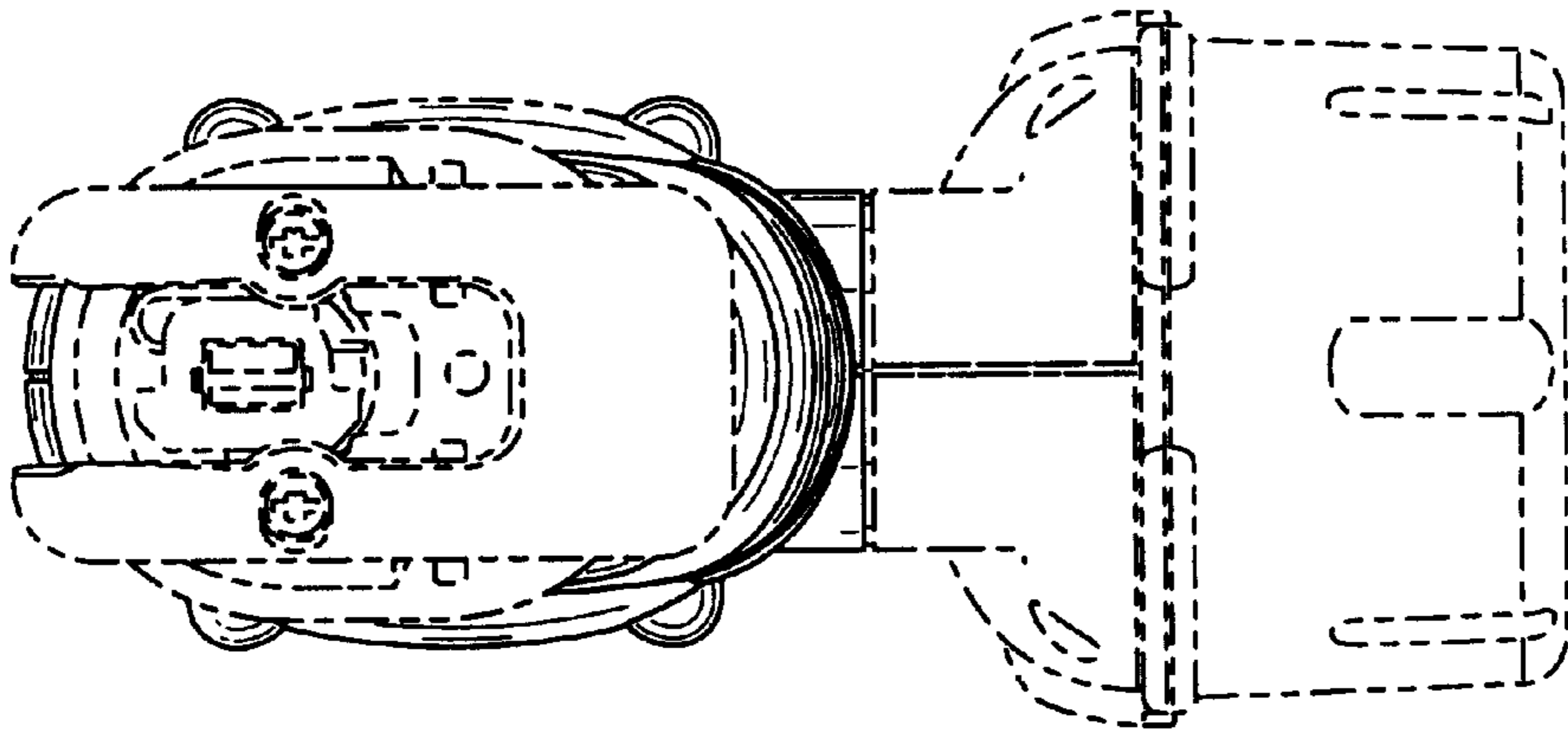


FIG. 2

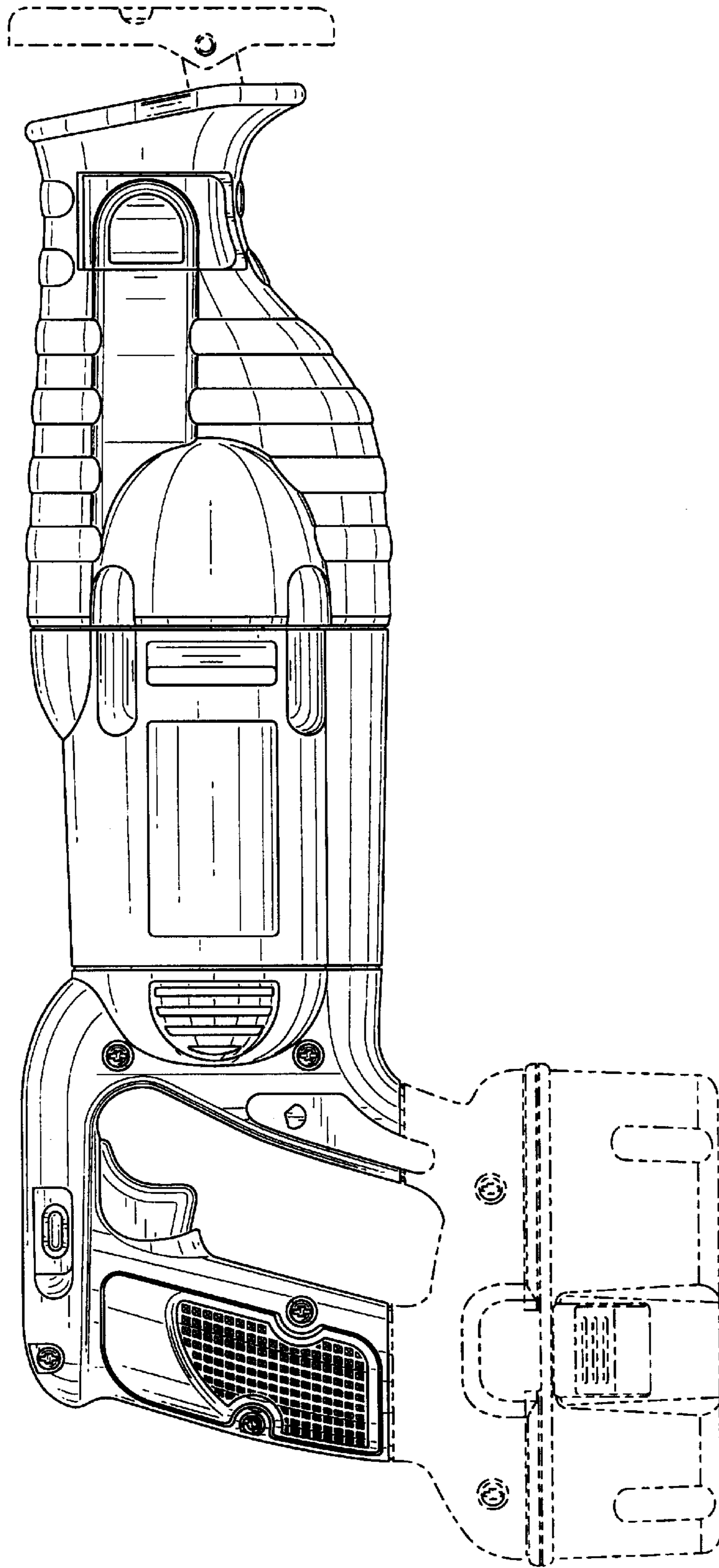


FIG. 4

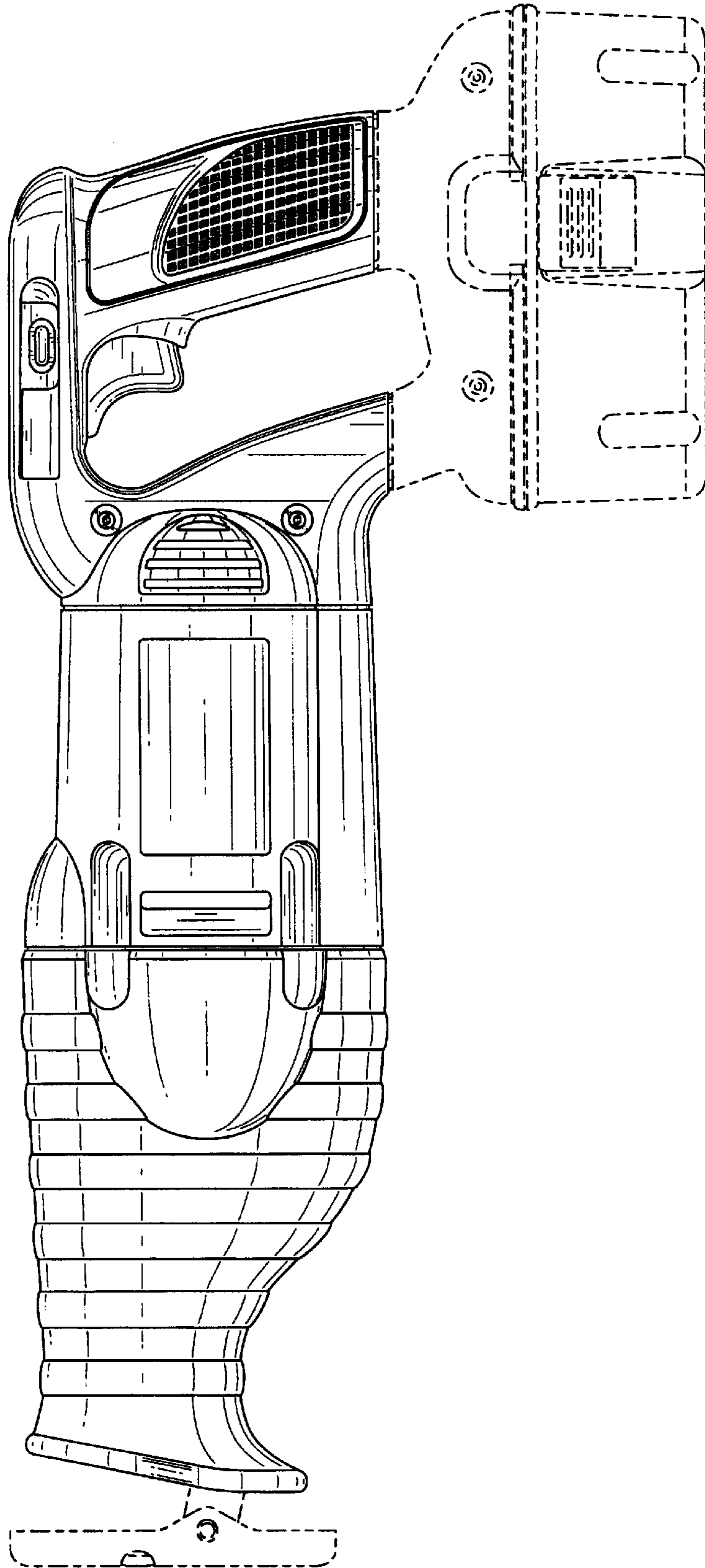


FIG. 5

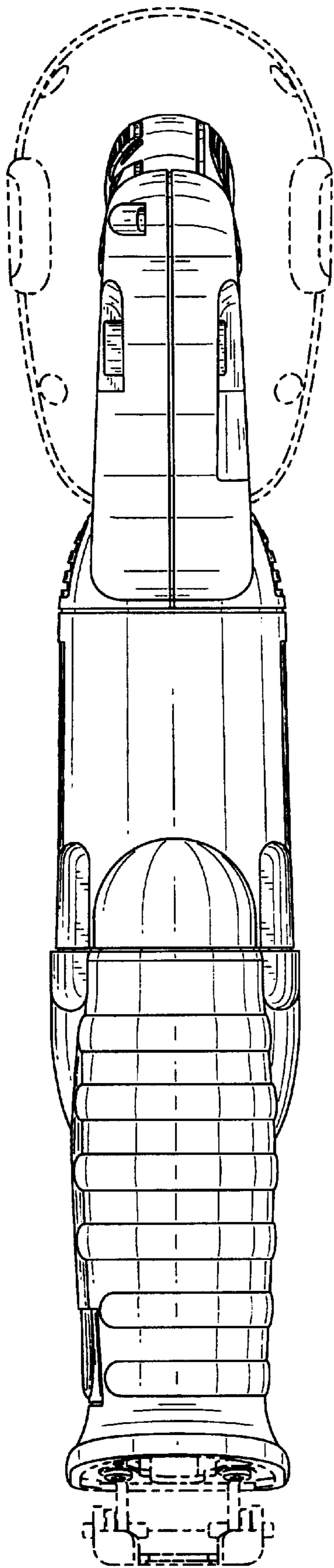


FIG. 6

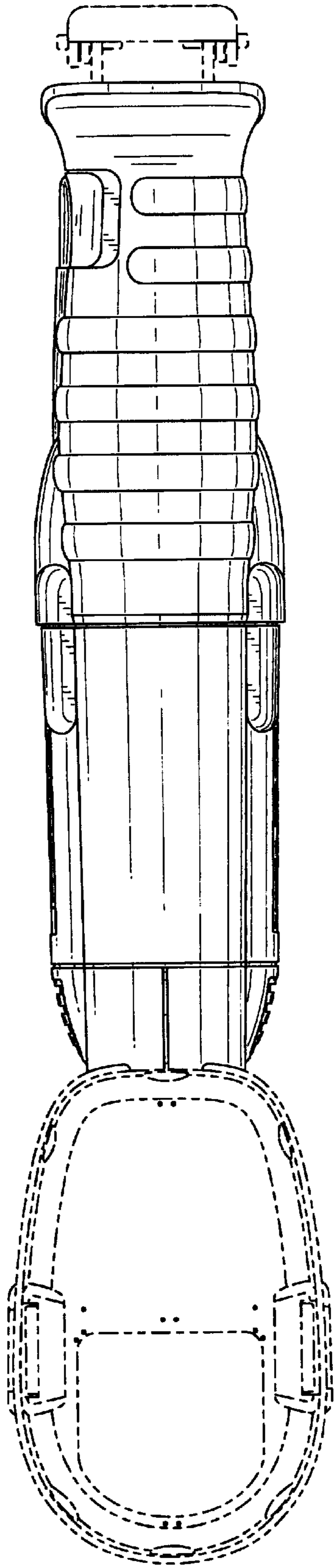


FIG. 7