



US00D480615S

(12) **United States Design Patent**
Byard

(10) **Patent No.:** **US D480,615 S**

(45) **Date of Patent:** **** Oct. 14, 2003**

(54) **FENCE STAPLING MACHINE**

(76) **Inventor:** **Kenneth L. Byard**, 715 E. Ave. A,
Hutchinson, KS (US) 67501

(**) **Term:** **14 Years**

(21) **Appl. No.:** **29/169,792**

(22) **Filed:** **Oct. 28, 2002**

(51) **LOC (7) Cl.** **19-02**

(52) **U.S. Cl.** **D8/49; D8/51**

(58) **Field of Search** **D8/44, 49, 50,**
D8/51, 14; 227/120, 131, 132, 134, 156

(56) **References Cited**

U.S. PATENT DOCUMENTS

D256,091 S	*	7/1980	Fernandes	D8/51
D268,983 S	*	5/1983	Clements	D8/44
4,728,021 A	*	3/1988	Kennedy	227/120
4,981,246 A	*	1/1991	Kennedy	227/120

* cited by examiner

Primary Examiner—Adir Aronovich

(74) *Attorney, Agent, or Firm*—John M. Harrison

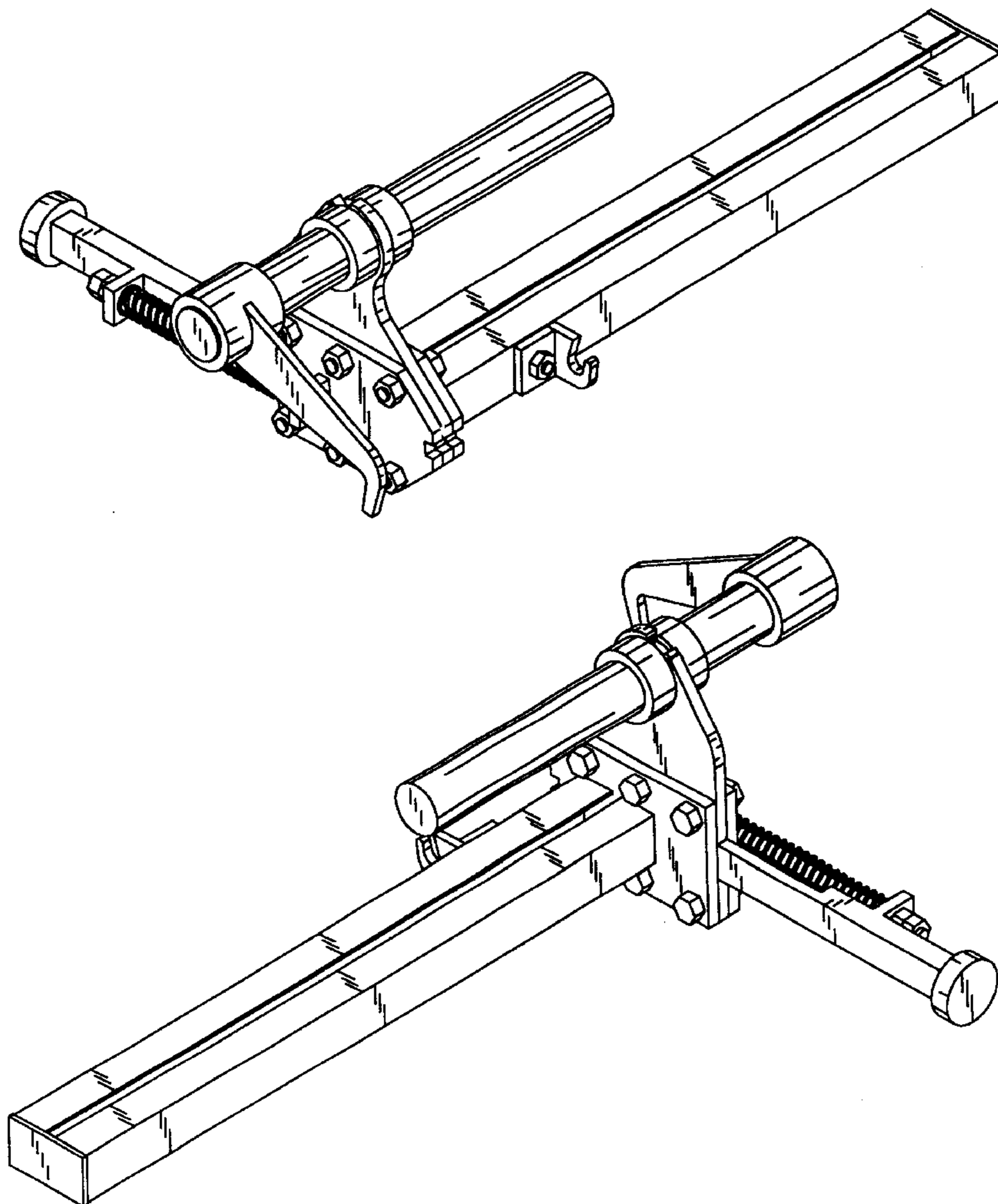
(57) **CLAIM**

The ornamental design for a fence stapling machine, as shown and described.

DESCRIPTION

FIG. 1 is a front perspective view of a fence stapling machine, showing my new design;
FIG. 2 is a rear perspective view of the fence stapling machine;
FIG. 3 is a top plan view thereof;
FIG. 4 is a bottom view thereof;
FIG. 5 is a front view thereof;
FIG. 6 is a rear view thereof;
FIG. 7 is a right side elevational view; and,
FIG. 8 is a left side elevational view of the fence stapling machine illustrated in FIGS. 1-7.

1 Claim, 3 Drawing Sheets



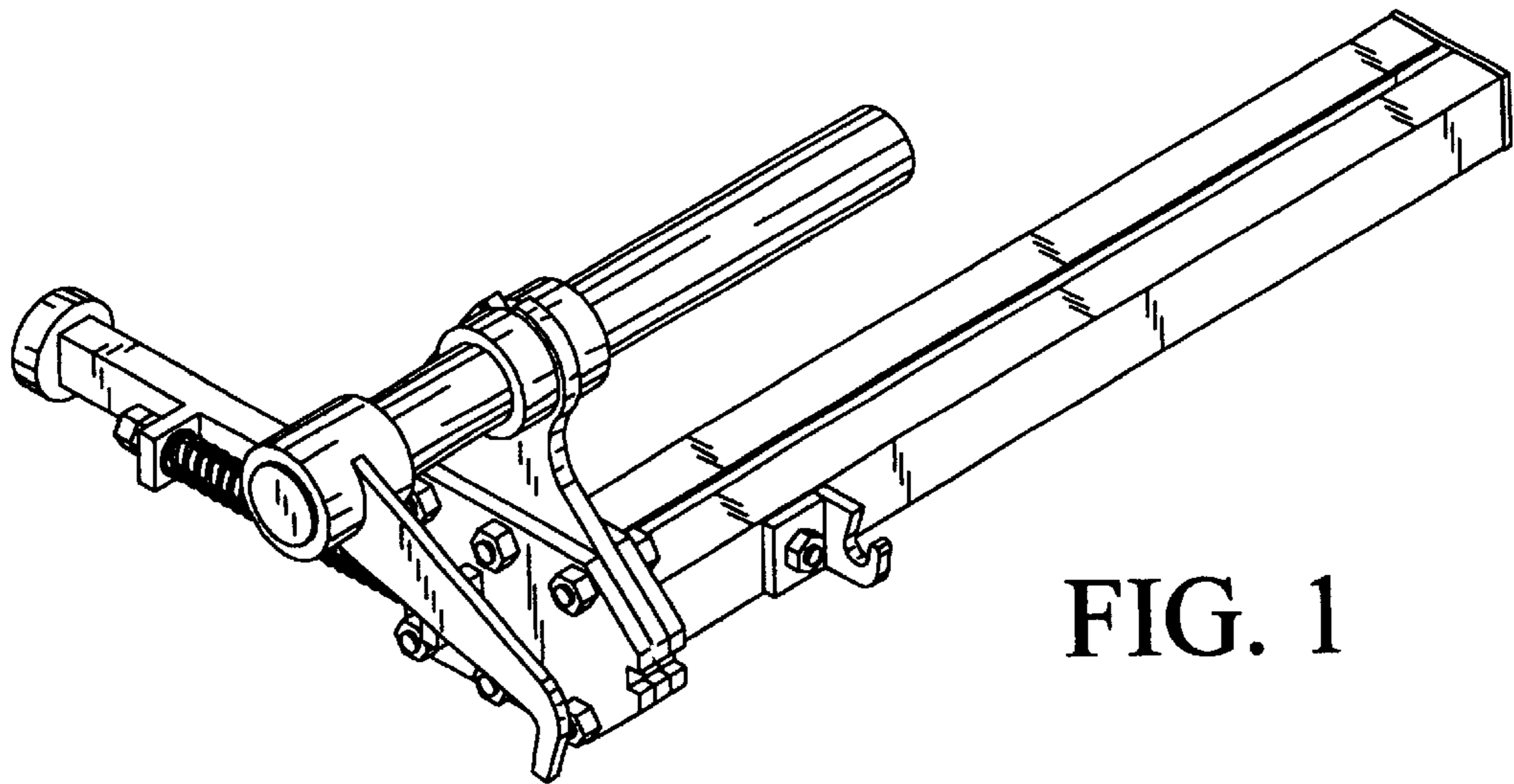


FIG. 1

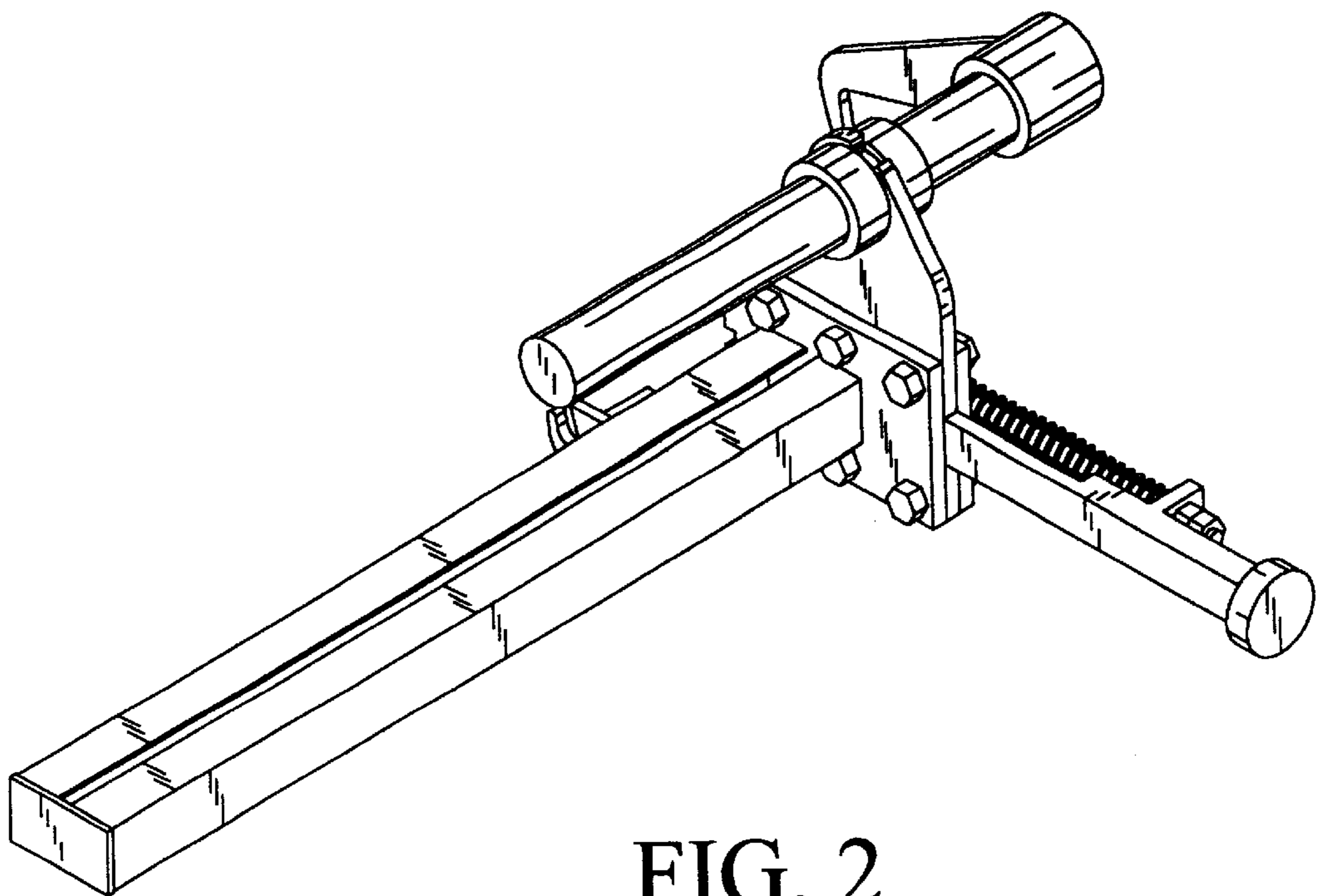


FIG. 2

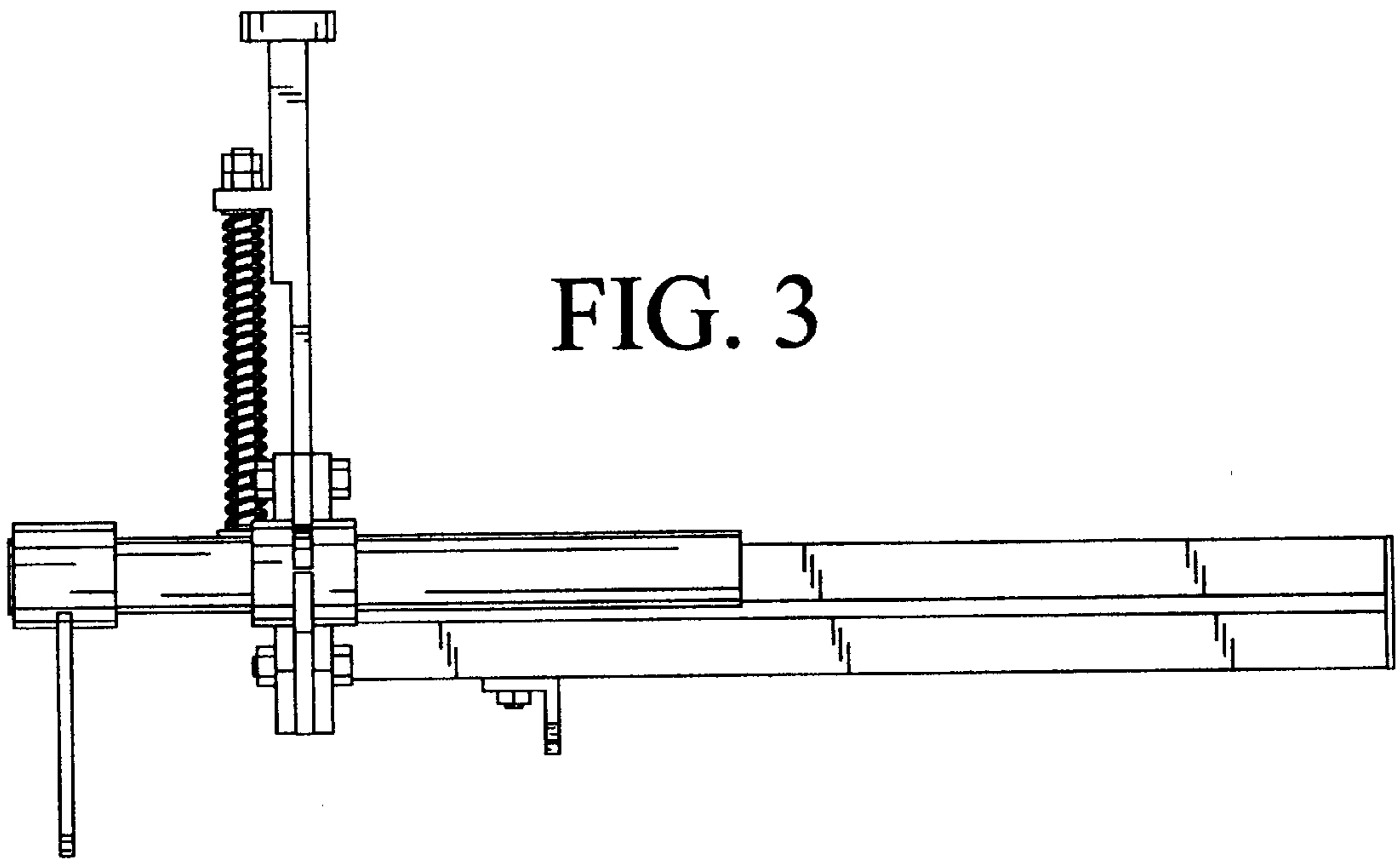


FIG. 3

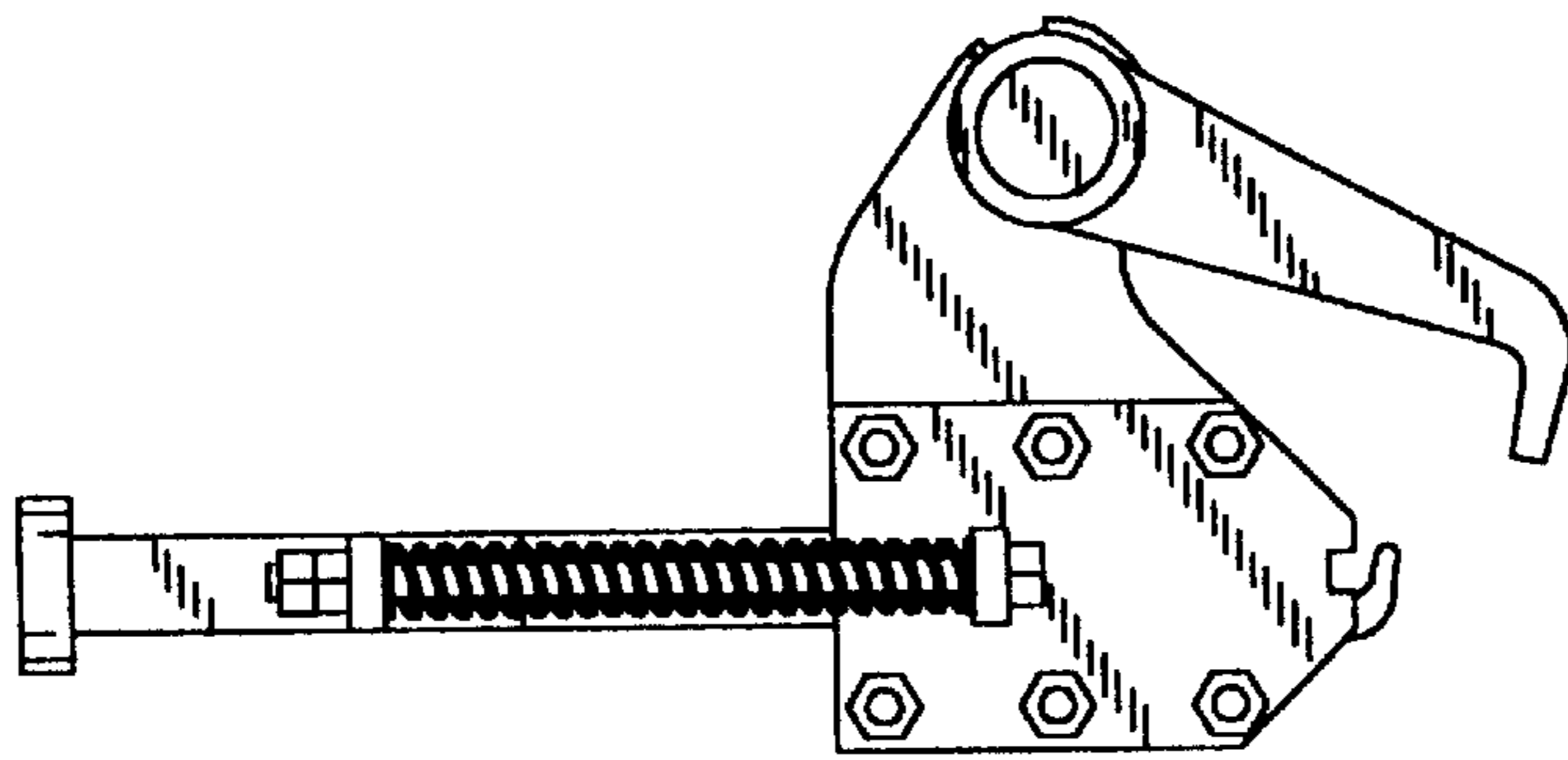


FIG. 5

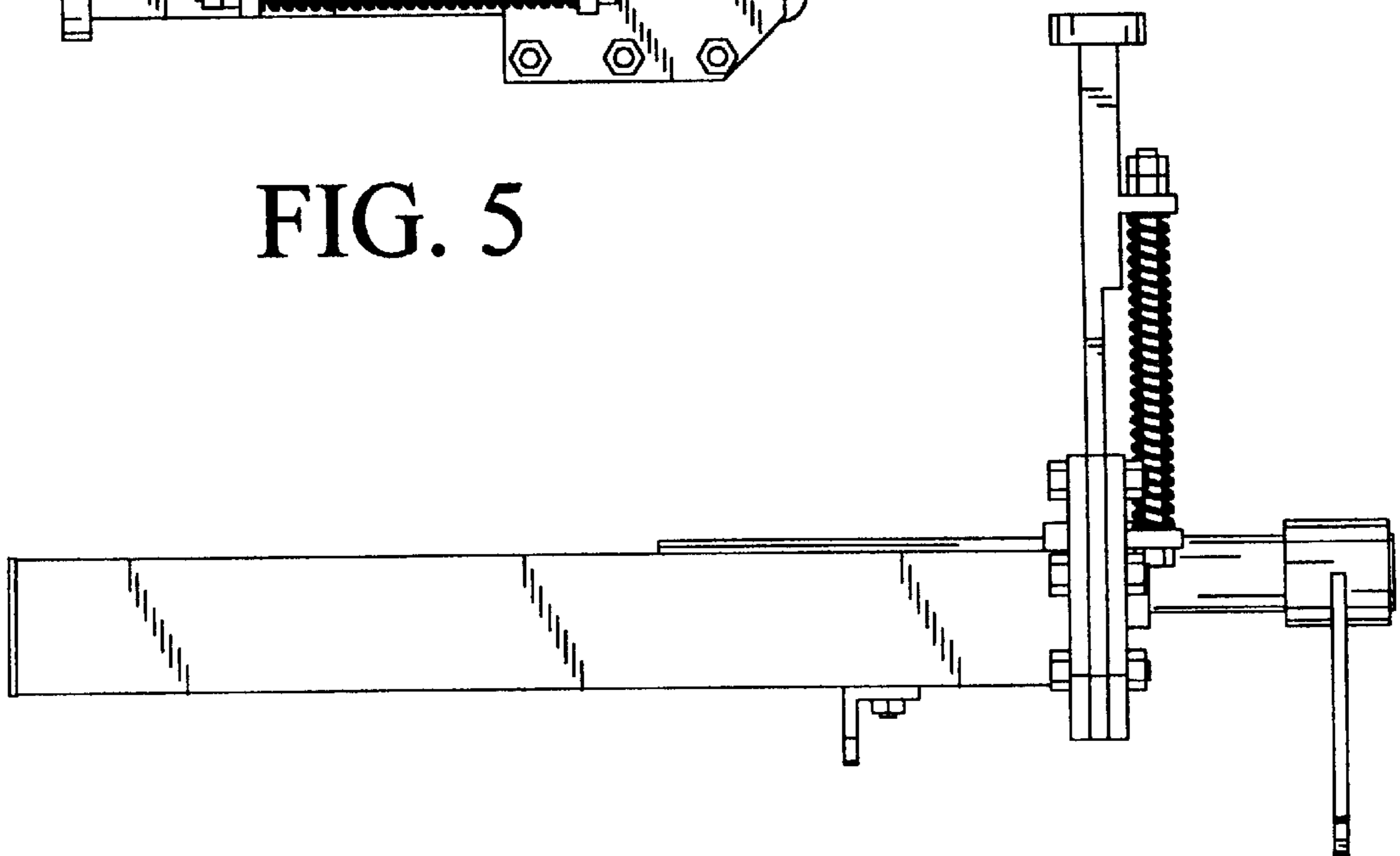


FIG. 4

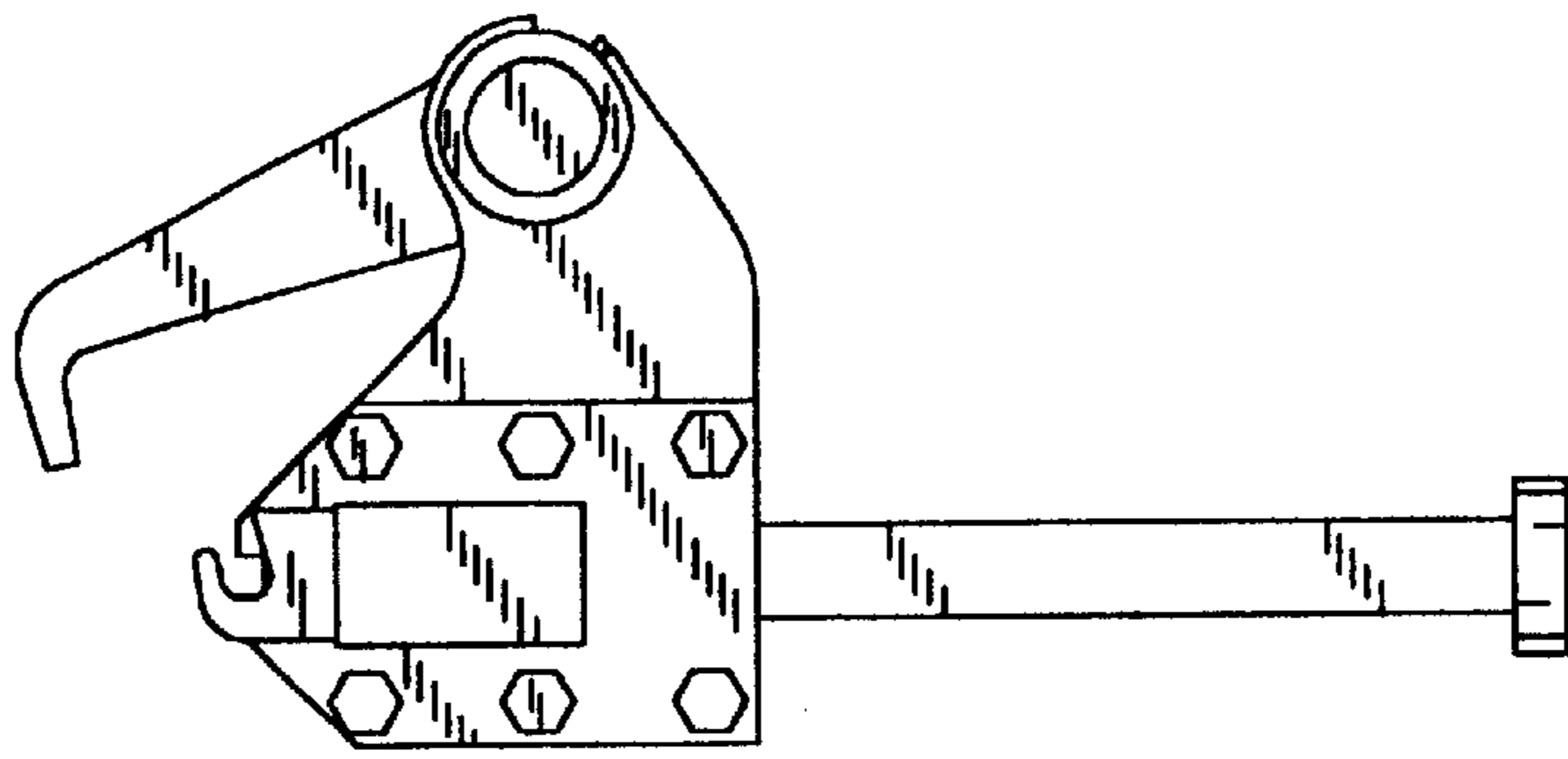


FIG. 6

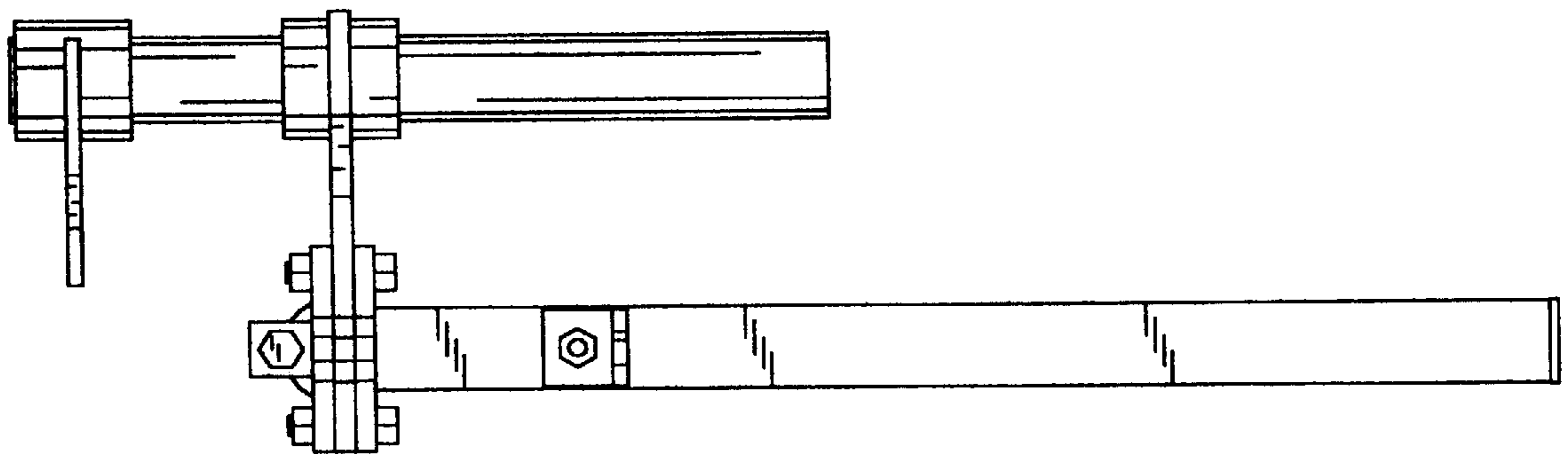


FIG. 7

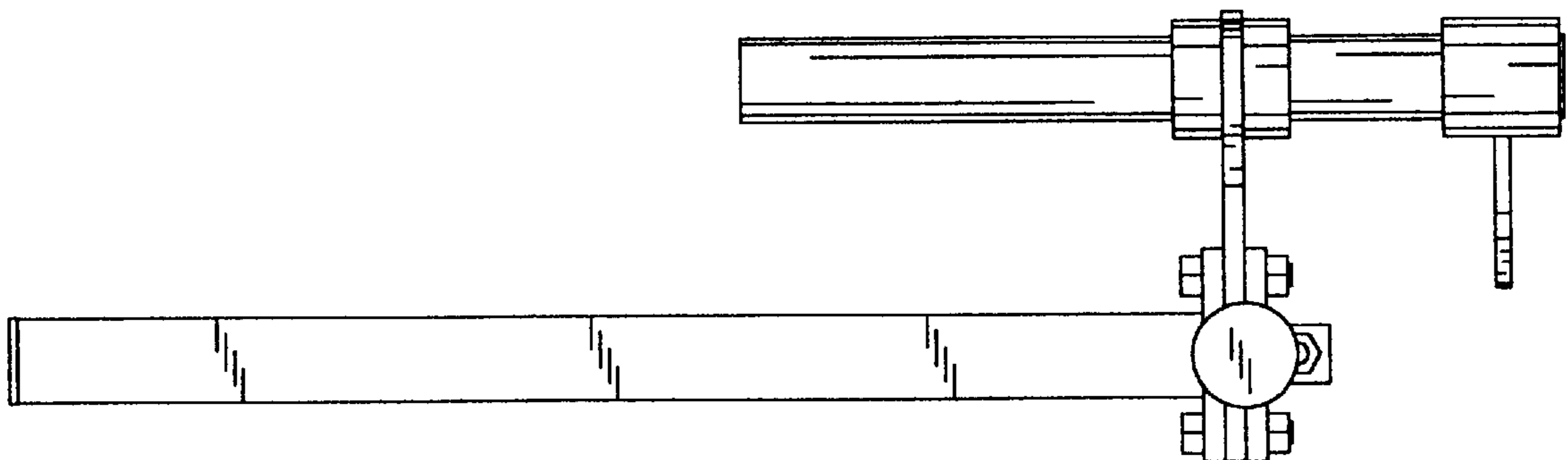


FIG. 8