



US00D480612S

(12) **United States Design Patent**  
**Schülein**

(10) **Patent No.:** **US D480,612 S**

(45) **Date of Patent:** **\*\* Oct. 14, 2003**

(54) **WHISK**

3,412,983 A \* 11/1968 Keislman et al. .... 416/70 R  
4,735,510 A \* 4/1988 Barbour et al. .... 366/343

(75) Inventor: **Rolf-Günter Schülein**, Singhofen (DE)

\* cited by examiner

(73) Assignee: **Leifheit AG**, Nassau (DE)

(\*\*) Term: **14 Years**

*Primary Examiner*—Terry A. Wallace

(21) Appl. No.: **29/165,604**

(74) *Attorney, Agent, or Firm*—Frishauf, Holtz, Goodman & Chick, P.C.

(22) Filed: **Aug. 13, 2002**

(57) **CLAIM**

(30) **Foreign Application Priority Data**

The ornamental design for a whisk, as shown and described.

Feb. 13, 2002 (DE) ..... 4 02 01 222

**DESCRIPTION**

(51) **LOC (7) Cl.** ..... **07-02**

FIG. 1 is a top, front, left-side perspective view of a whisk showing my new design;

(52) **U.S. Cl.** ..... **D7/690**

FIG. 2 is a top, left-side perspective view thereof;

(58) **Field of Search** ..... D7/682–696, 376,

D7/379, 380, 393, 395; 15/141.1, 141.2;

366/129, 130, 342–344; 416/69, 70 R, 71,

72, 227 R

FIG. 3 is a bottom view thereof; and,

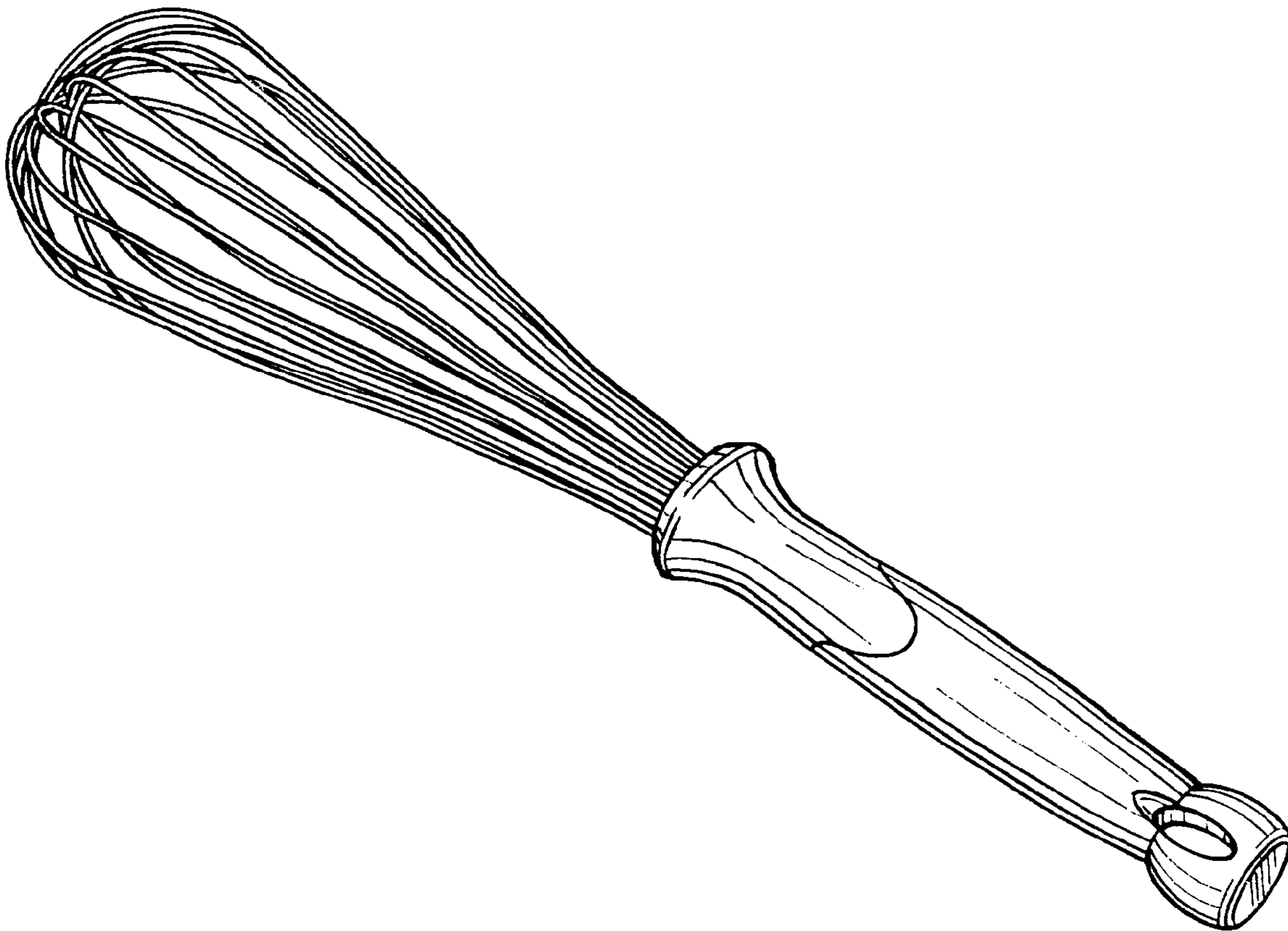
FIG. 4 is a right-side view thereof, the left-side view being a mirror image.

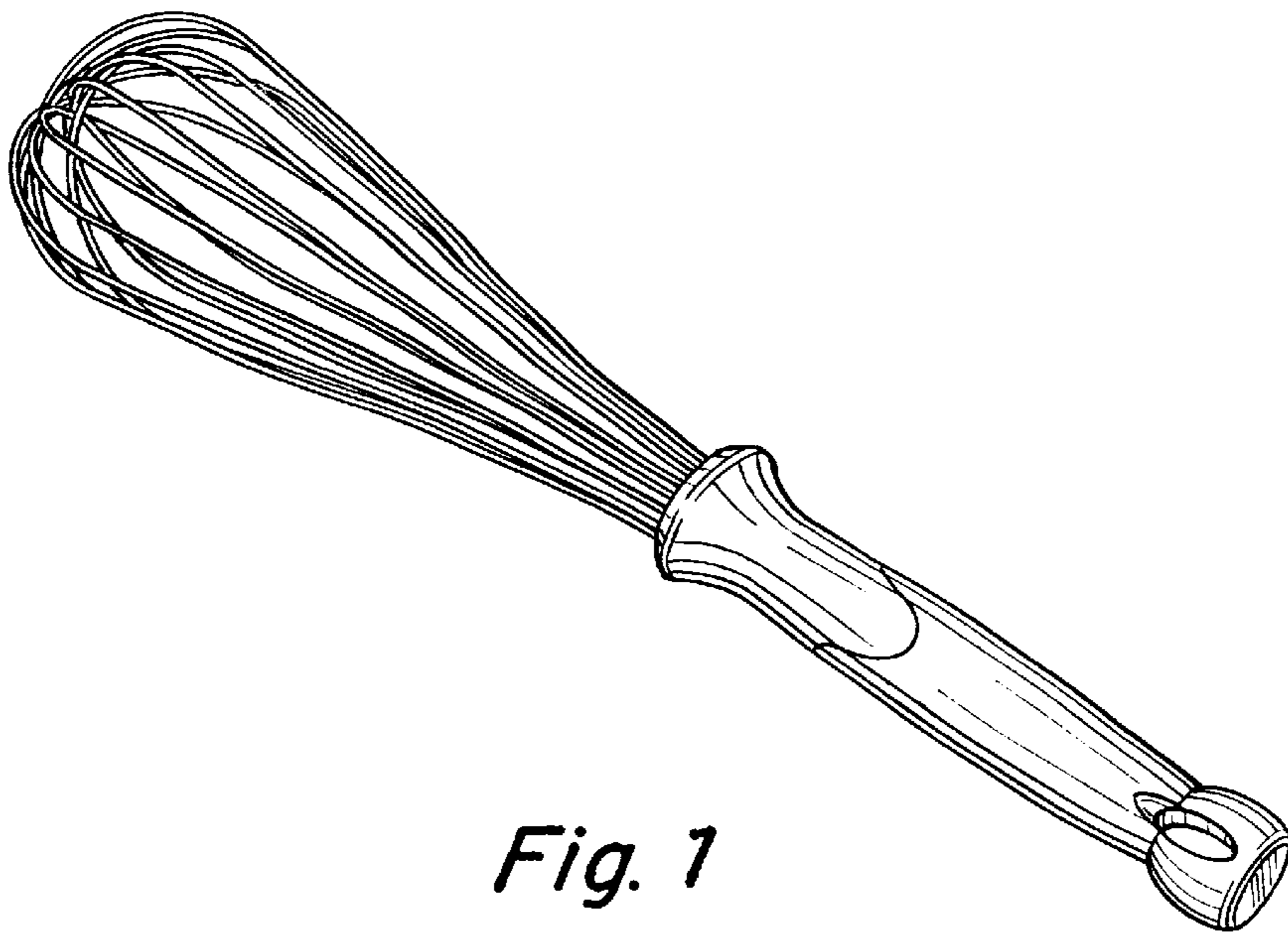
(56) **References Cited**

**U.S. PATENT DOCUMENTS**

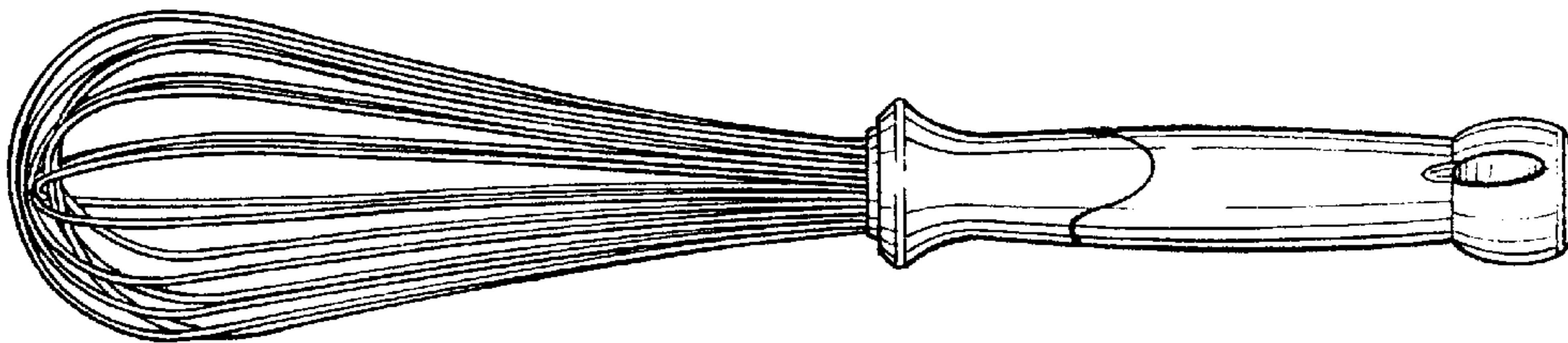
2,499,074 A \* 2/1950 Norgarden ..... 416/70 R

**1 Claim, 1 Drawing Sheet**

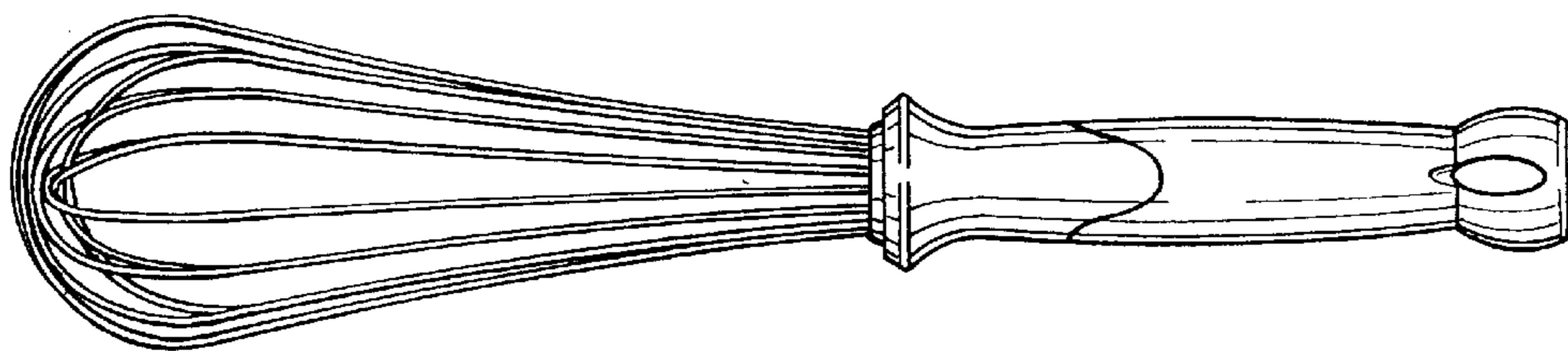




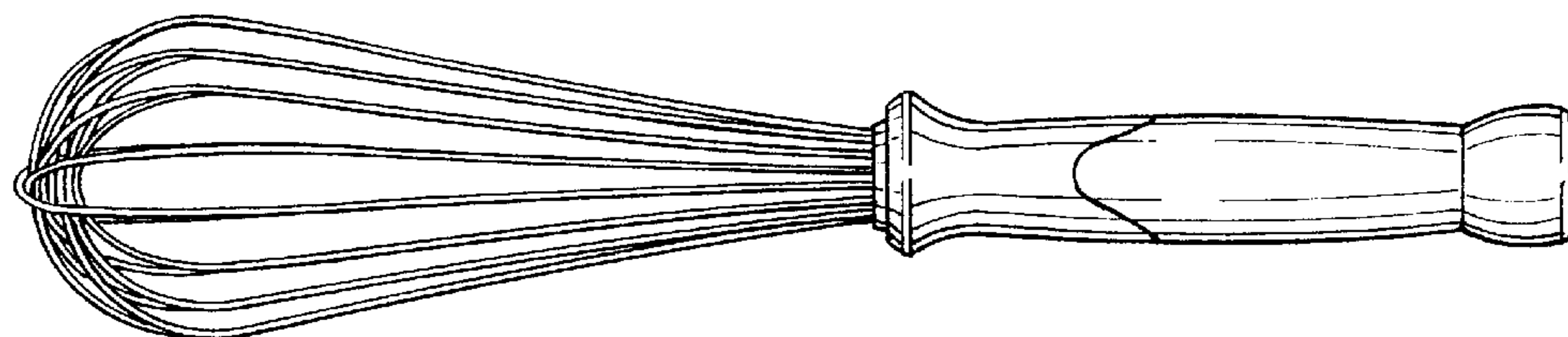
*Fig. 1*



*Fig. 2*



*Fig. 3*



*Fig. 4*