



US00D480611S

(12) **United States Design Patent**  
**Boldt**

(10) **Patent No.:** **US D480,611 S**

(45) **Date of Patent:** **\*\* Oct. 14, 2003**

(54) **FISH FILLETING FORK**

(76) Inventor: **Glen R. Boldt**, 2076 117<sup>th</sup> Ave.,  
Baldwin, WI (US) 54002

(\*\*) Term: **14 Years**

(21) Appl. No.: **29/177,728**

(22) Filed: **Mar. 17, 2003**

(51) **LOC (7) Cl.** ..... **07-06**

(52) **U.S. Cl.** ..... **D7/683; D7/653**

(58) **Field of Search** ..... D7/683, 642-664,  
D7/401.2, 393, 395; D8/82, 83, 88, 89,  
107; 16/110.1, 407, 430, 431, DIG. 19;  
30/142, 147-150, 322-329, 345; D10/46

(56) **References Cited**

**U.S. PATENT DOCUMENTS**

- D258,486 S \* 3/1981 Wallace et al. .... D7/395
- D258,940 S \* 4/1981 Zelinski ..... D10/46
- D272,406 S \* 1/1984 Steiner ..... D7/683

- D344,216 S \* 2/1994 Shepherd et al. .... D7/683
- D438,764 S \* 3/2001 Parker et al. .... D7/683
- D459,161 S \* 6/2002 Rowe et al. .... D7/683

\* cited by examiner

*Primary Examiner*—Caron D. Veynar  
(74) *Attorney, Agent, or Firm*—Tipton L. Randall

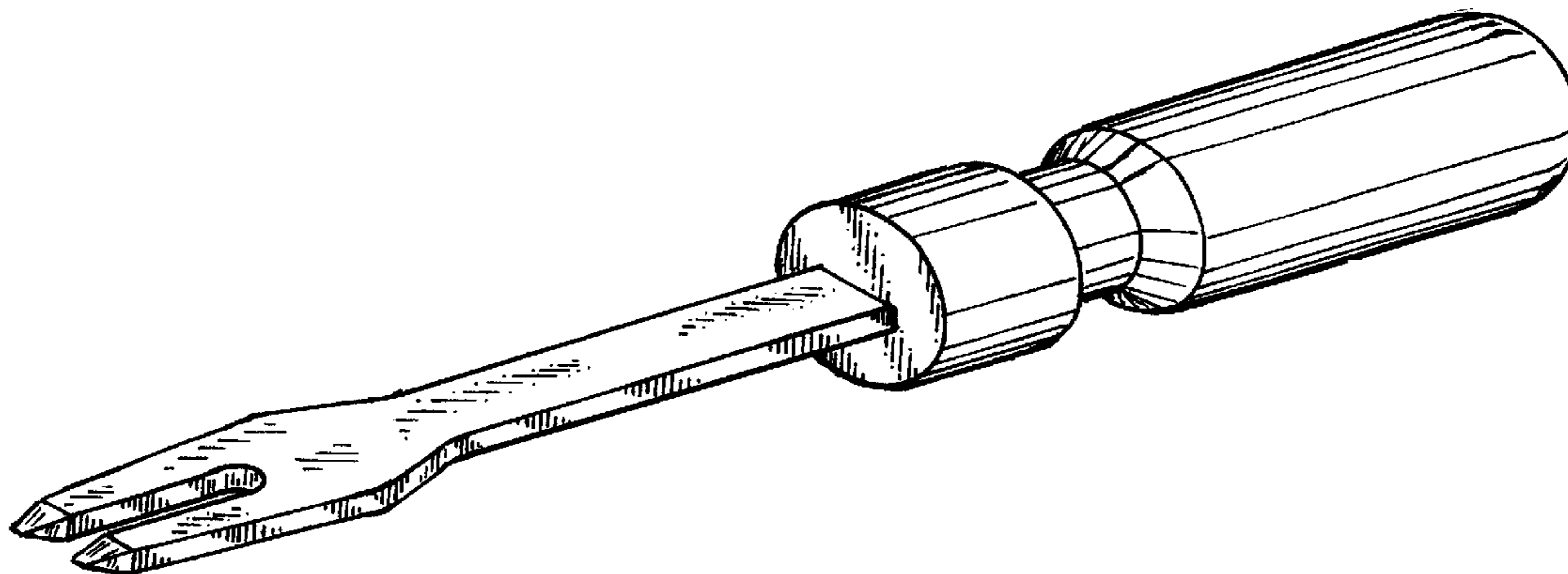
(57) **CLAIM**

The ornamental design for a fish filleting fork, as shown and described.

**DESCRIPTION**

FIG. 1 is a right side view of a fish filleting fork embodying my new design;  
FIG. 2 is left side view thereof;  
FIG. 3 is a top plan view thereof, the bottom plan view being a mirror image thereof;  
FIG. 4 is a front side elevational view thereof, the rear side elevational view being a mirror image thereof; and,  
FIG. 5 is a perspective elevational view thereof.

**1 Claim, 5 Drawing Sheets**



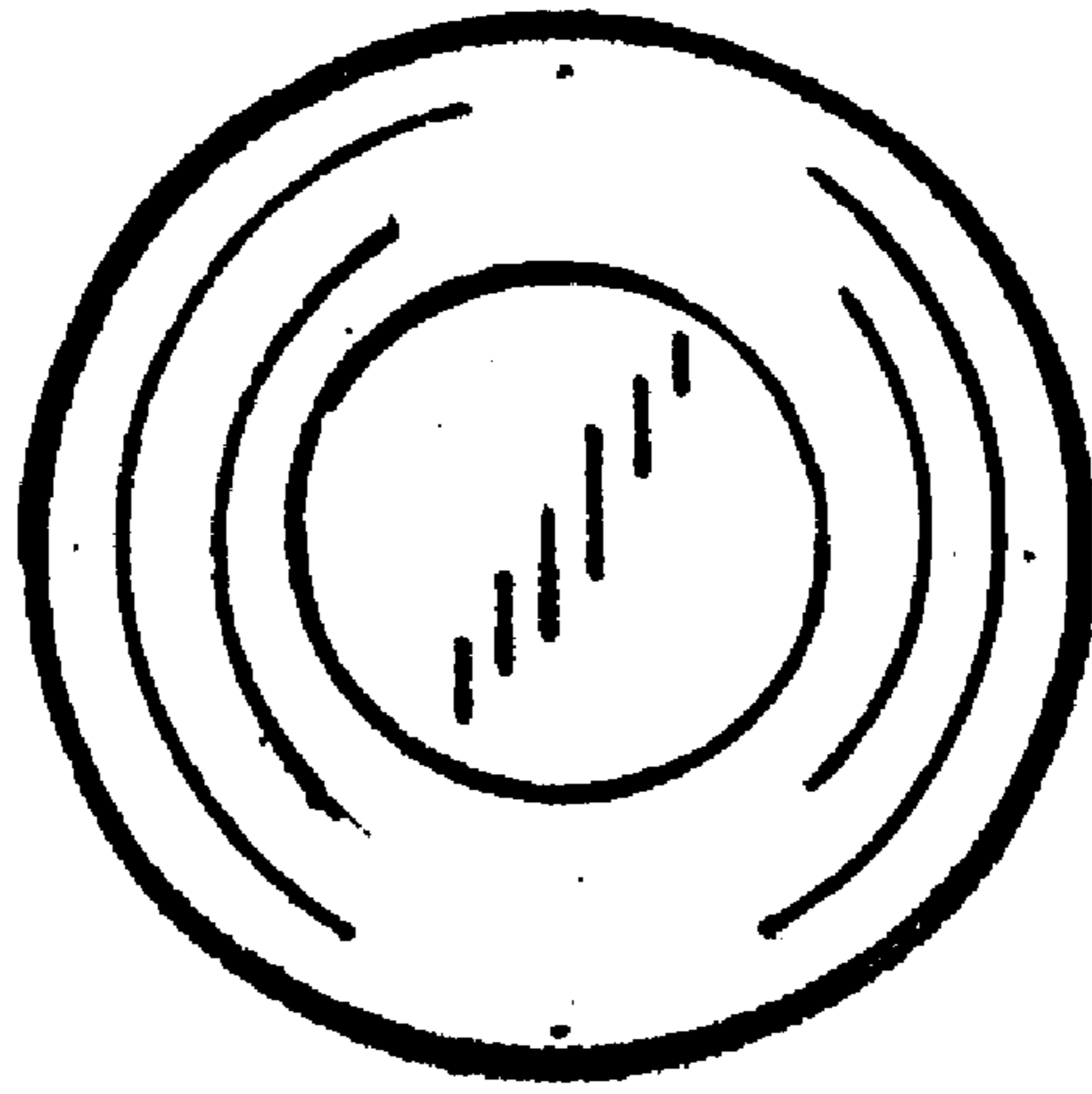


Figure 1

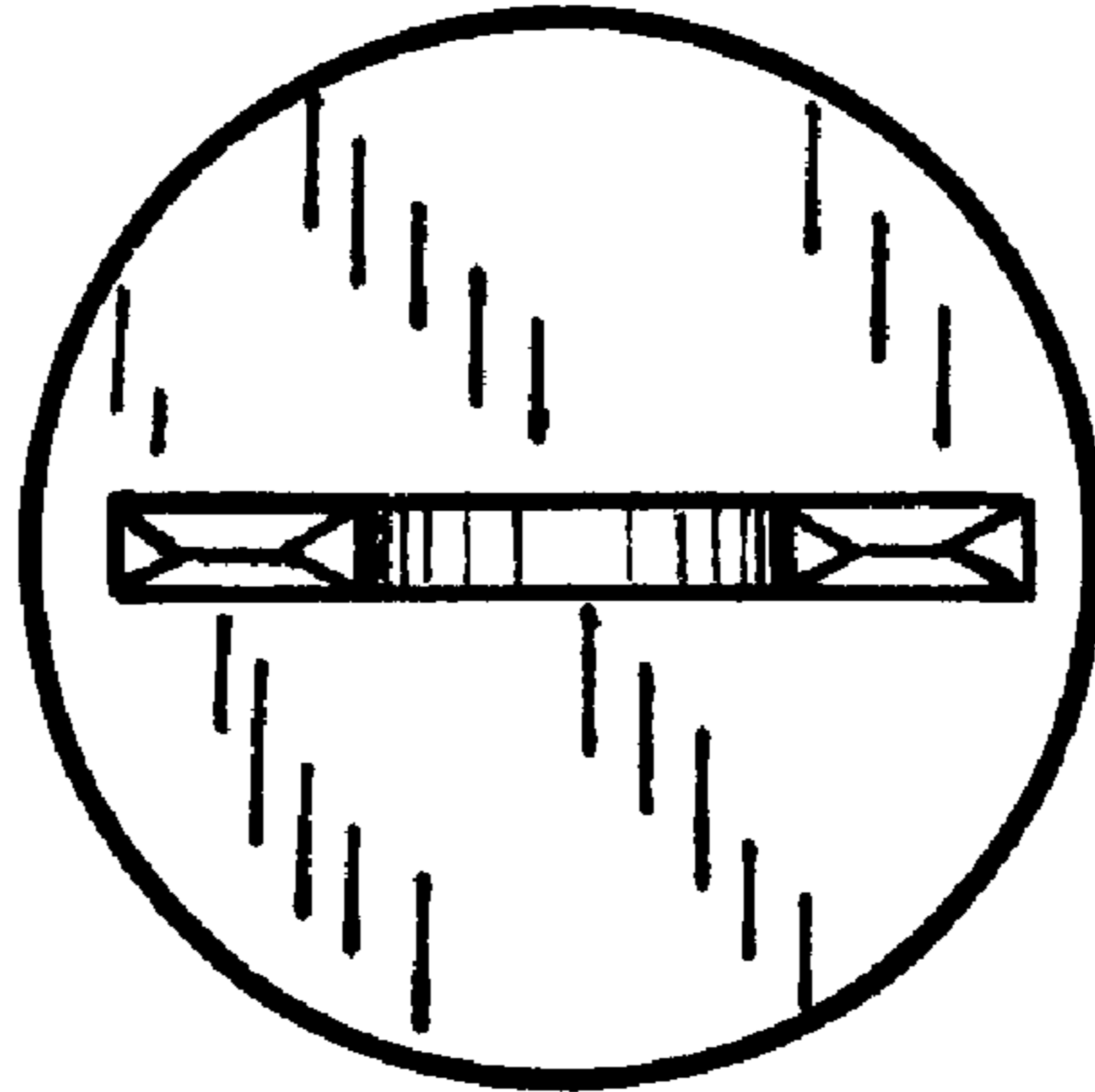


Figure 2

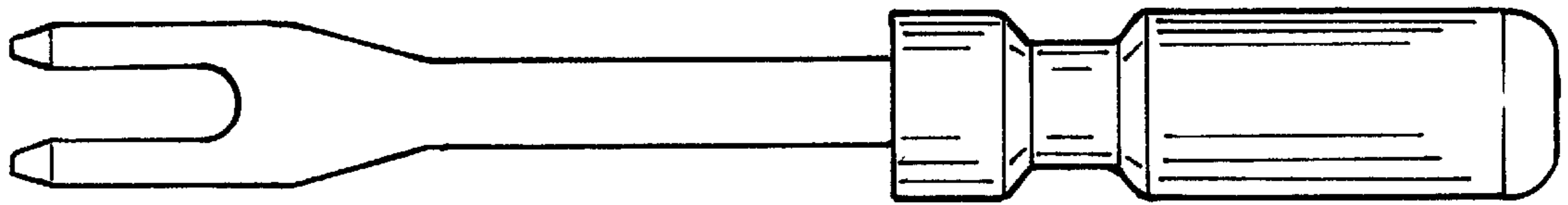


Figure 3

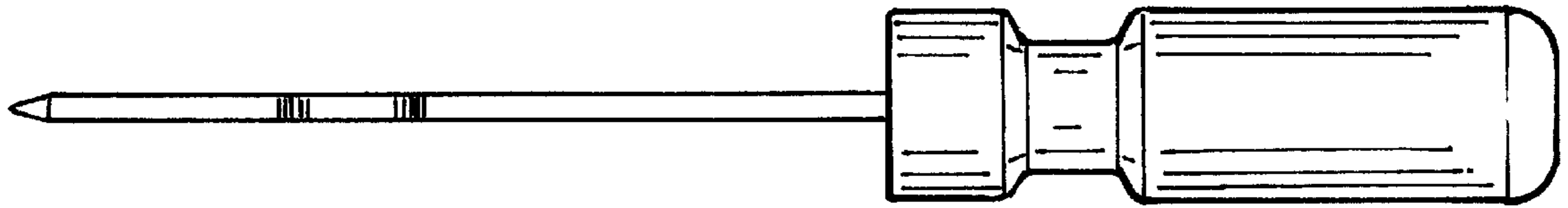


Figure 4

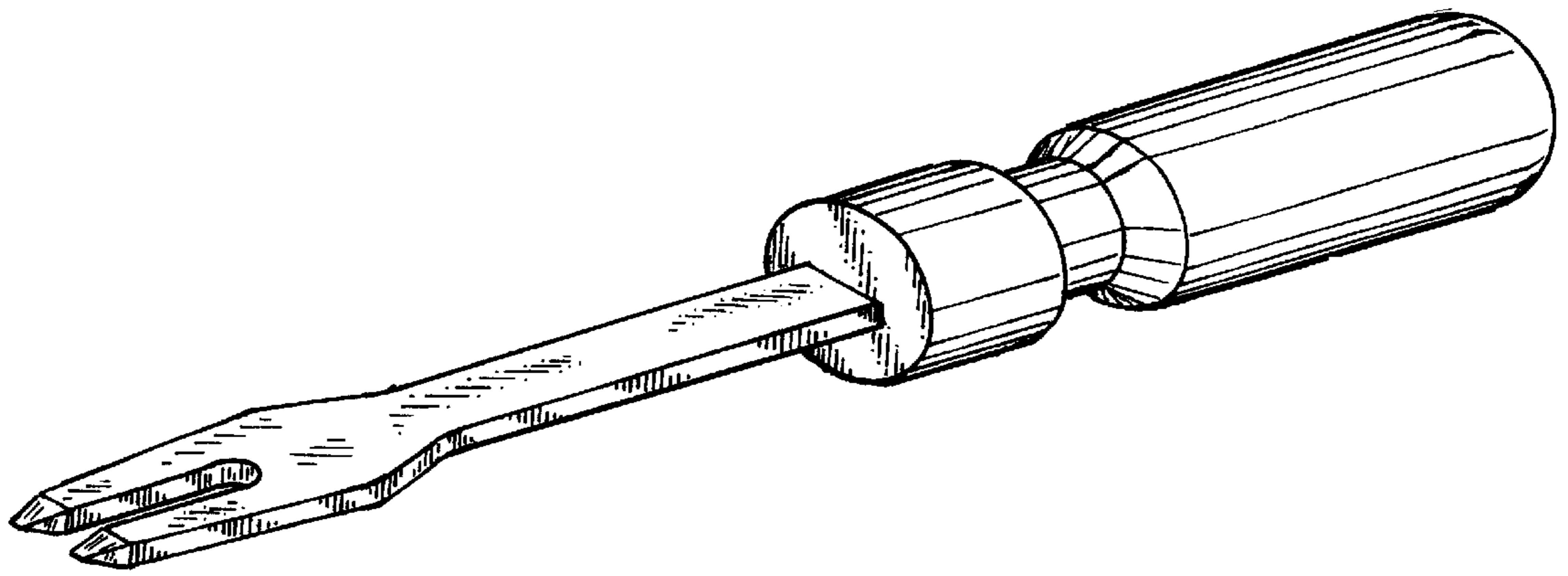


Figure 5