



US00D480610S

(12) **United States Design Patent**
Toffolon

(10) **Patent No.:** **US D480,610 S**

(45) **Date of Patent:** **** Oct. 14, 2003**

(54) **FLATWARE HANDLE**

(75) **Inventor:** **Siro R. Toffolon**, Old Lyme, CT (US)

(73) **Assignee:** **Ginkgo International, Ltd.**, Downers Grove, IL (US)

(**) **Term:** **14 Years**

(21) **Appl. No.:** **29/165,510**

(22) **Filed:** **Aug. 9, 2002**

(51) **LOC (7) Cl. 07-03**

(52) **U.S. Cl. D7/642**

(58) **Field of Search** D7/642, 645, 649,
D7/650, 651, 652, 653, 654, 660, 401.2;
30/147-150, 322-328

(56) **References Cited**

U.S. PATENT DOCUMENTS

D10,232 S	*	9/1877	Whalen	D7/654
D218,124 S	*	7/1970	Toffolon	D7/653
D226,975 S	*	5/1973	Manderfield	D7/653
D289,846 S	*	5/1987	Richmond, II	D7/653

OTHER PUBLICATIONS

Sterling Flatware, Revised second edition, An Identification and Value Guide by Tere Hagan; Copyright 1994; Tamm Publishing Co.; pp. 81, 154, and 242; Patterns: Fleur de Lis 1886 (Gorham), Fleur de Lis 1905 (Newburyport Silver Co), No. 40 1910 (Wallace Silversmiths).*

* cited by examiner

Primary Examiner—Caron D. Veynar

(74) *Attorney, Agent, or Firm*—August E. Roehrig, Jr.; Hancock & Estabrook, LLP

(57) **CLAIM**

The ornamental design for a flatware handle, as shown and described.

DESCRIPTION

FIG. 1 is a side elevational view of my invention on a knife; FIG. 2 is a top view of the knife illustrated in FIG. 1, the bottom view being a mirror image thereof;

FIG. 3 is the opposite side elevational view of my invention on a knife;

FIG. 4 is a cross sectional view taken along lines 4—4 of FIG. 1;

FIG. 5 is a second embodiment showing a top view of my invention on a fork;

FIG. 6 is a side elevational view of the fork illustrated in FIG. 5, the opposite side elevational view being a mirror image thereof;

FIG. 7 is a bottom view of my invention on a fork;

FIG. 8 is a cross sectional view taken along lines 8—8 of FIG. 5;

FIG. 9 is a third embodiment showing a top view of my invention on a spoon;

FIG. 10 is a side elevational view of the spoon illustrated in FIG. 9, the opposite side elevational view being a mirror image thereof;

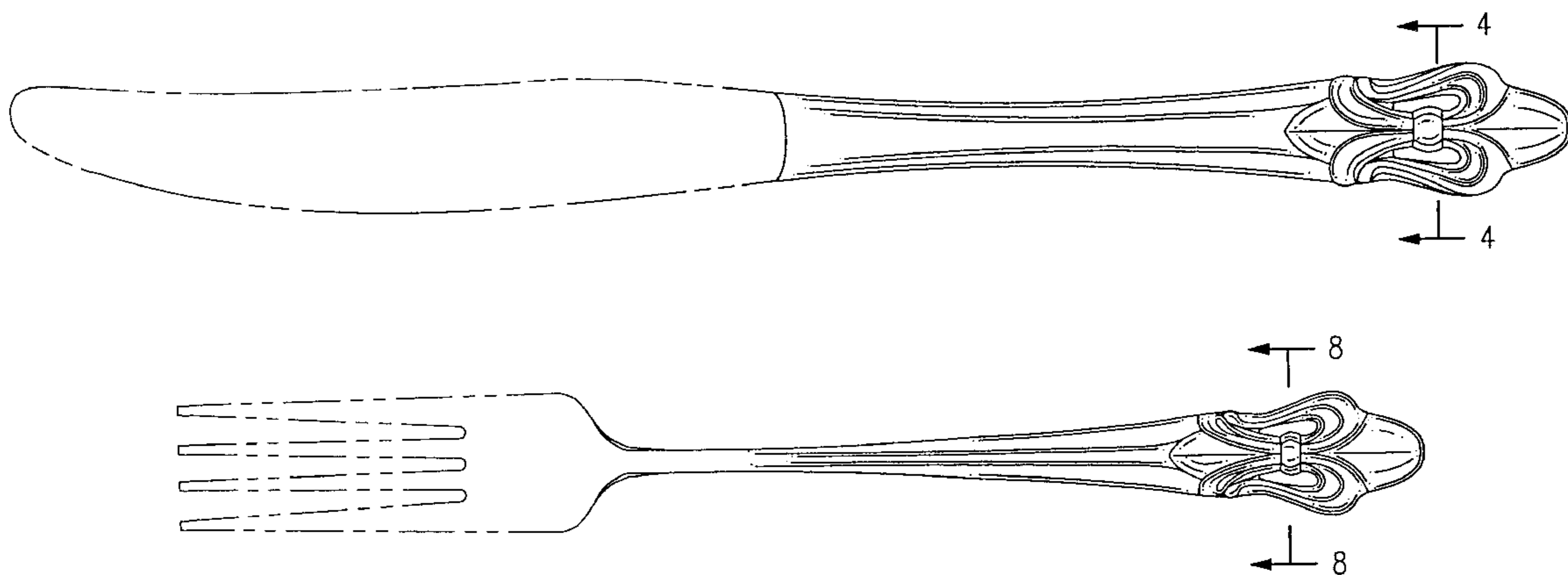
FIG. 11 is a bottom view of my invention on a spoon; and,

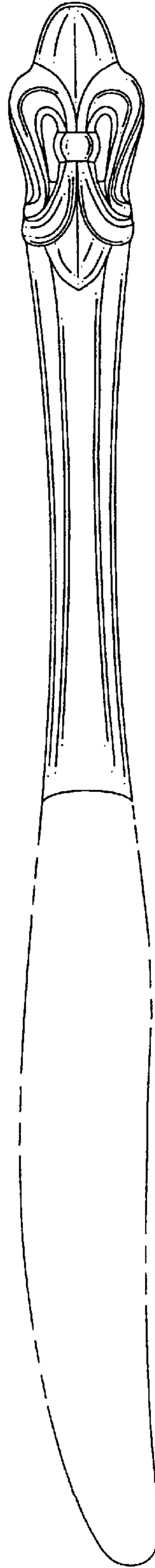
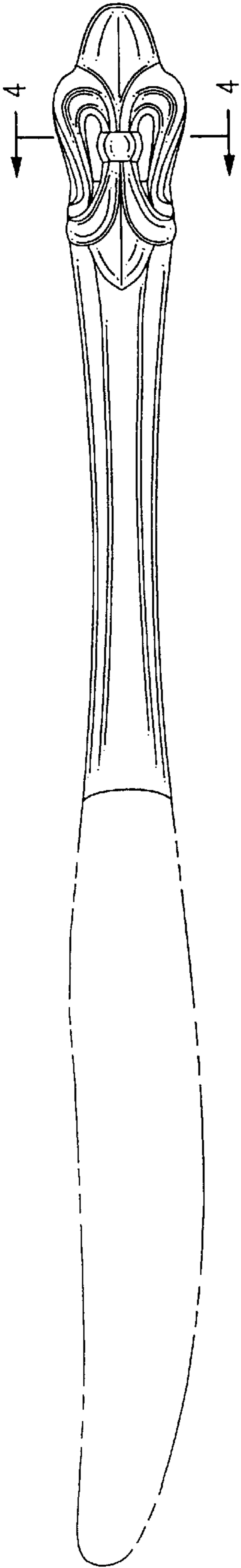
FIG. 12 is a cross sectional view taken along lines 12—12 of FIG. 9.

The front view of the knife, fork and spoon would not show my flatware handle design.

The broken line showing of a portion of the knife, fork and spoon is for illustrative purposes only, and forms no part of the claimed design.

1 Claim, 3 Drawing Sheets





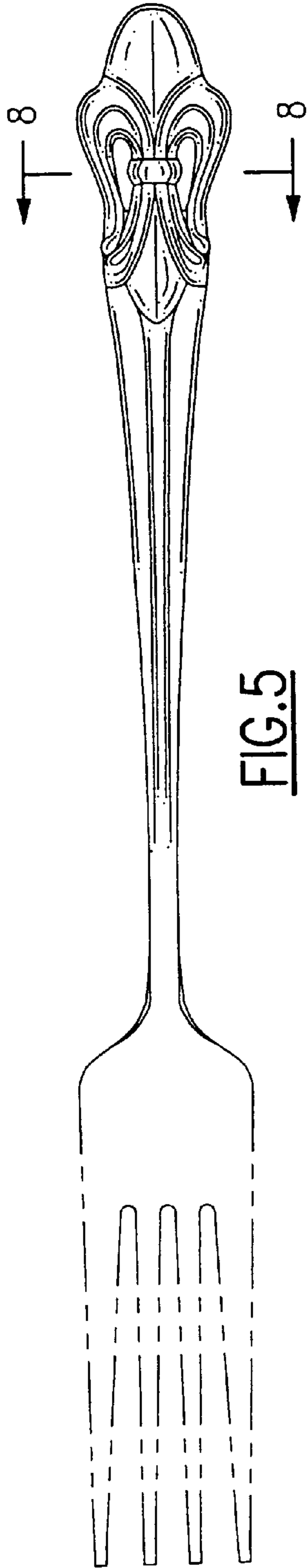


FIG. 5

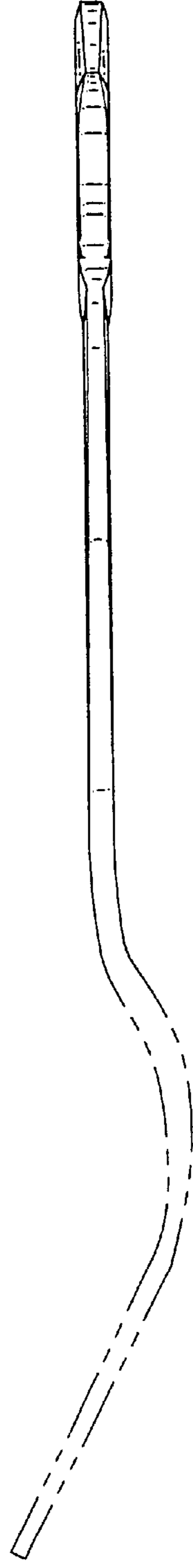


FIG. 6

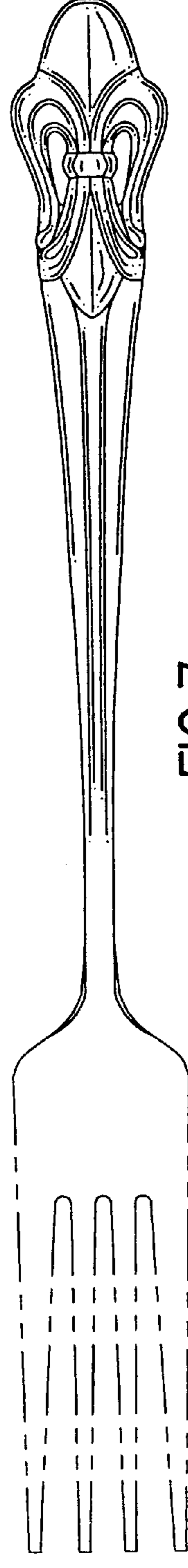


FIG. 7



FIG. 8

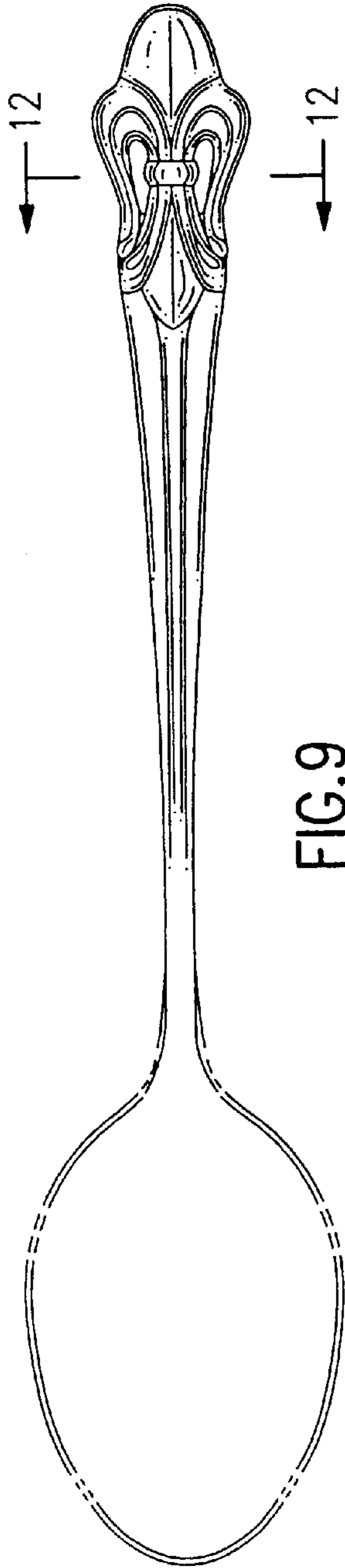


FIG. 9

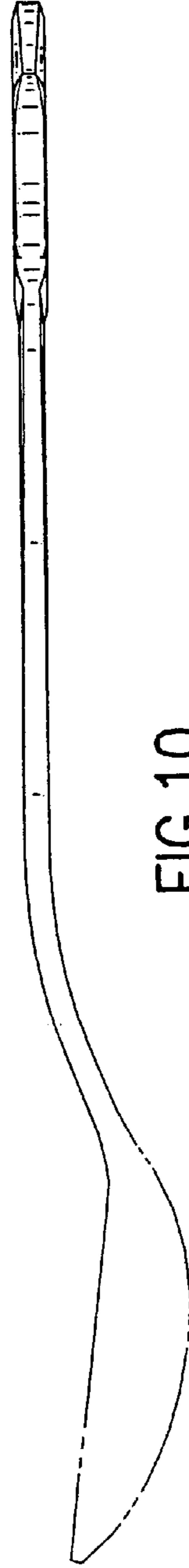


FIG. 10

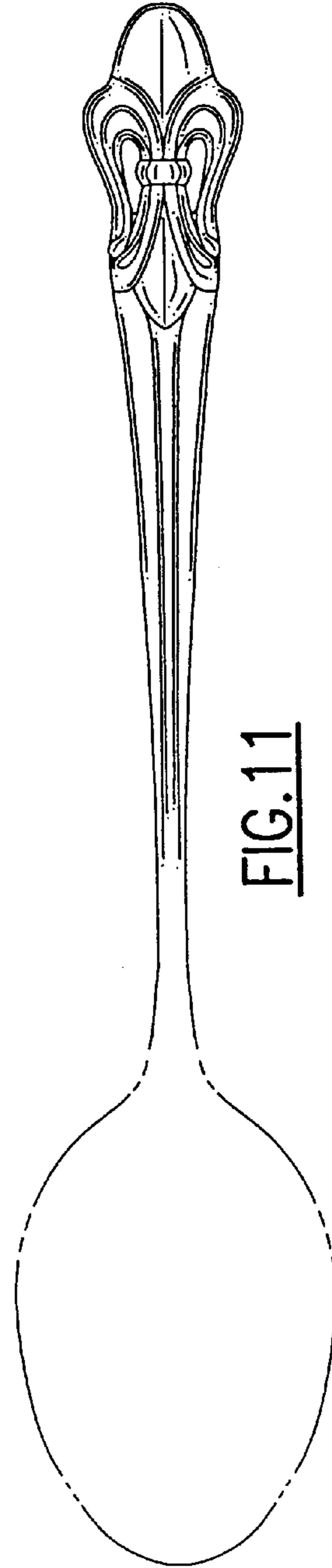


FIG. 11



FIG. 12