



US00D480605S

(12) **United States Design Patent**
Barbagallo et al.

(10) **Patent No.:** **US D480,605 S**

(45) **Date of Patent:** **** Oct. 14, 2003**

(54) **CONDIMENT DISH DISPLAY RACK**

(75) Inventors: **Anthony Barbagallo**, Montague, NJ (US); **Dennis Beck**, Sparta, NJ (US); **Eva Polissky**, Hamburg, NJ (US)

(73) Assignee: **Bonchef**, Lafayette, NJ (US)

(**) Term: **14 Years**

(21) Appl. No.: **29/177,423**

(22) Filed: **Mar. 10, 2003**

Related U.S. Application Data

(62) Division of application No. 29/157,423, filed on Mar. 19, 2002.

(51) **LOC (7) Cl.** **07-06**

(52) **U.S. Cl.** **D7/600.4**

(58) **Field of Search** D7/590, 600, 501, D7/505, 558, 600.1-600.4; D6/403, 405, 449, 460, 464, 474; 211/74, 85.23, 128.1, 181.1; D11/143, 144, 152-156

(56) **References Cited**

U.S. PATENT DOCUMENTS

D189,683 S	*	1/1961	Bloomfield	D7/590
3,194,403 A	*	7/1965	Horn, Jr.	D6/405
D390,754 S	*	2/1998	Bank	D7/600

* cited by examiner

Primary Examiner—Terry A. Wallace

(74) *Attorney, Agent, or Firm*—Lowenstein Sandler, PC

(57) **CLAIM**

The ornamental design for the condiment dish display rack, as shown.

DESCRIPTION

FIG. 1 is a perspective view of a condiment dish display rack incorporating our new design.

1 Claim, 1 Drawing Sheet

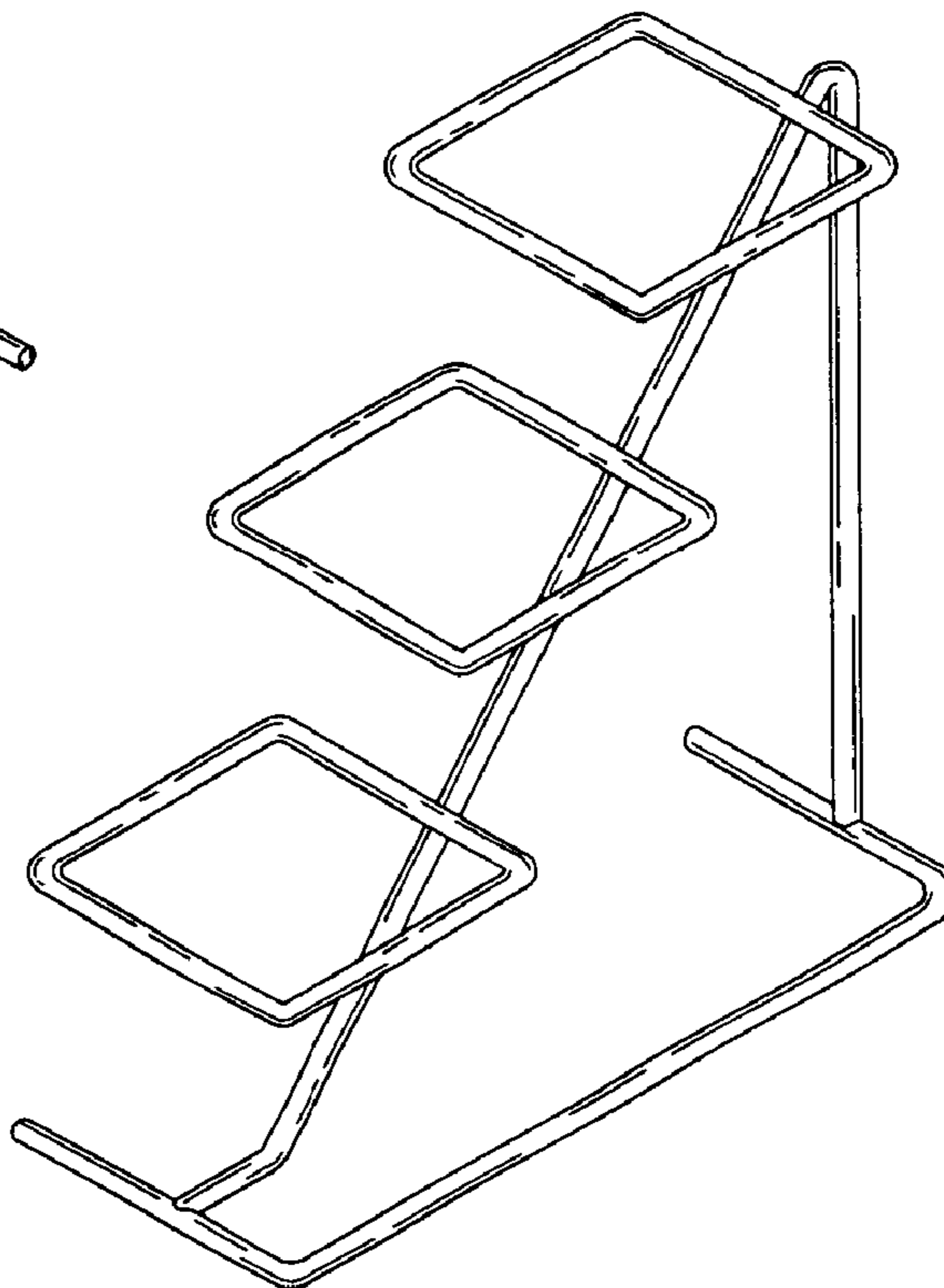
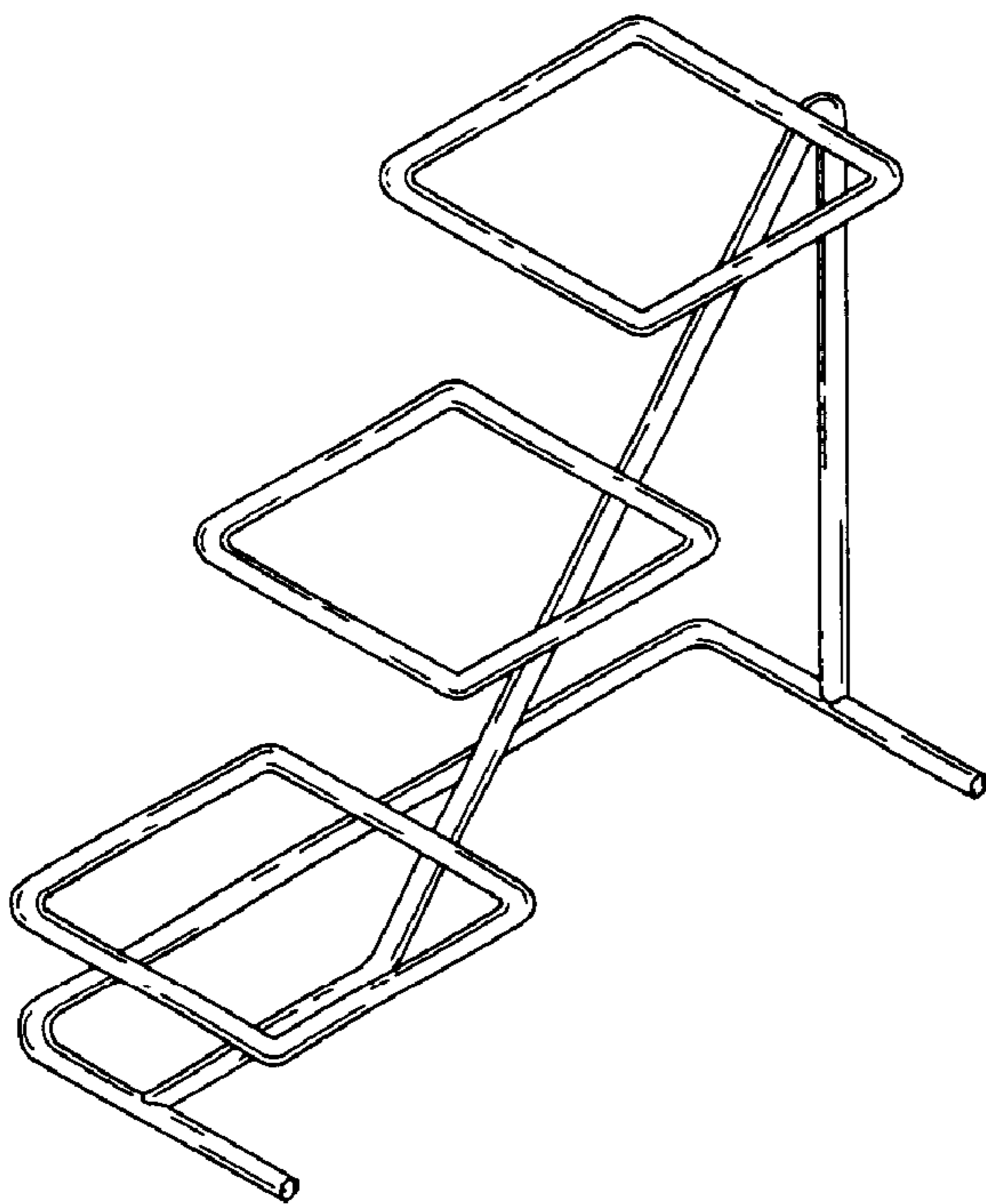


FIG. 1

