



US00D480603S

(12) **United States Design Patent**
Joss et al.

(10) **Patent No.:** **US D480,603 S**

(45) **Date of Patent:** **** Oct. 14, 2003**

(54) **MUG**

(75) **Inventors:** **Michael Joss**, Chicago, IL (US); **Owen A. Slater**, Chicago, IL (US)

(73) **Assignee:** **Thermos L.L.C.**, Rolling Meadows, IL (US)

(**) **Term:** **14 Years**

(21) **Appl. No.:** **29/160,716**

(22) **Filed:** **May 15, 2002**

(51) **LOC (7) Cl.** **07-01**

(52) **U.S. Cl.** **D7/535**

(58) **Field of Search** D7/500, 509-537,
D7/396.1-396.6; 206/217, 515, 520, 606;
229/400, 402; 220/555

(56) **References Cited**

U.S. PATENT DOCUMENTS

- D194,053 S * 11/1962 Cornelius D7/536
- D220,845 S * 6/1971 Mascetti, Jr. D7/533
- D364,997 S * 12/1995 Steinfels, III D7/536
- D377,738 S * 2/1997 Thorne D7/536

- D379,739 S * 6/1997 Song D7/536
- D398,188 S * 9/1998 Weeks et al. D7/515
- D463,715 S * 10/2002 Dretzka D7/523

* cited by examiner

Primary Examiner—Caron D. Veynar

(74) *Attorney, Agent, or Firm*—Wood, Phillips, Katz, Clark & Mortimer

(57) **CLAIM**

The ornamental design for a mug, as shown and described.

DESCRIPTION

FIG. 1 is a perspective view of our mug taken from the top left thereof;

FIG. 2 is a perspective view of our mug taken from the bottom right thereof;

FIG. 3 is a front side elevation of our mug;

FIG. 4 is a rear side elevation of our mug;

FIG. 5 is a right side elevation of our mug, it being understood that a left side elevation is a mirror image of this figure;

FIG. 6 is a plan view of our mug; and,

FIG. 7 is a bottom view of our mug.

1 Claim, 5 Drawing Sheets

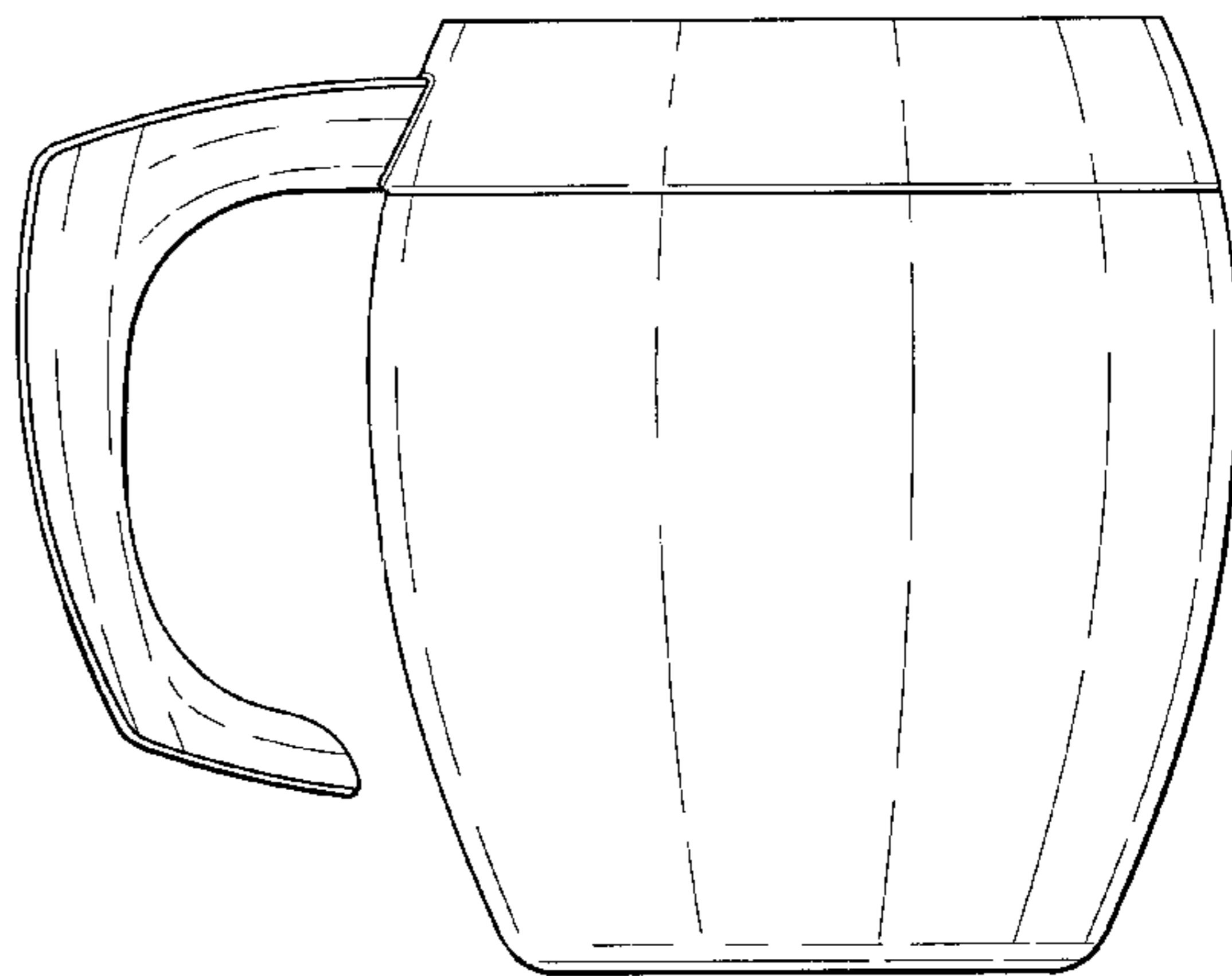
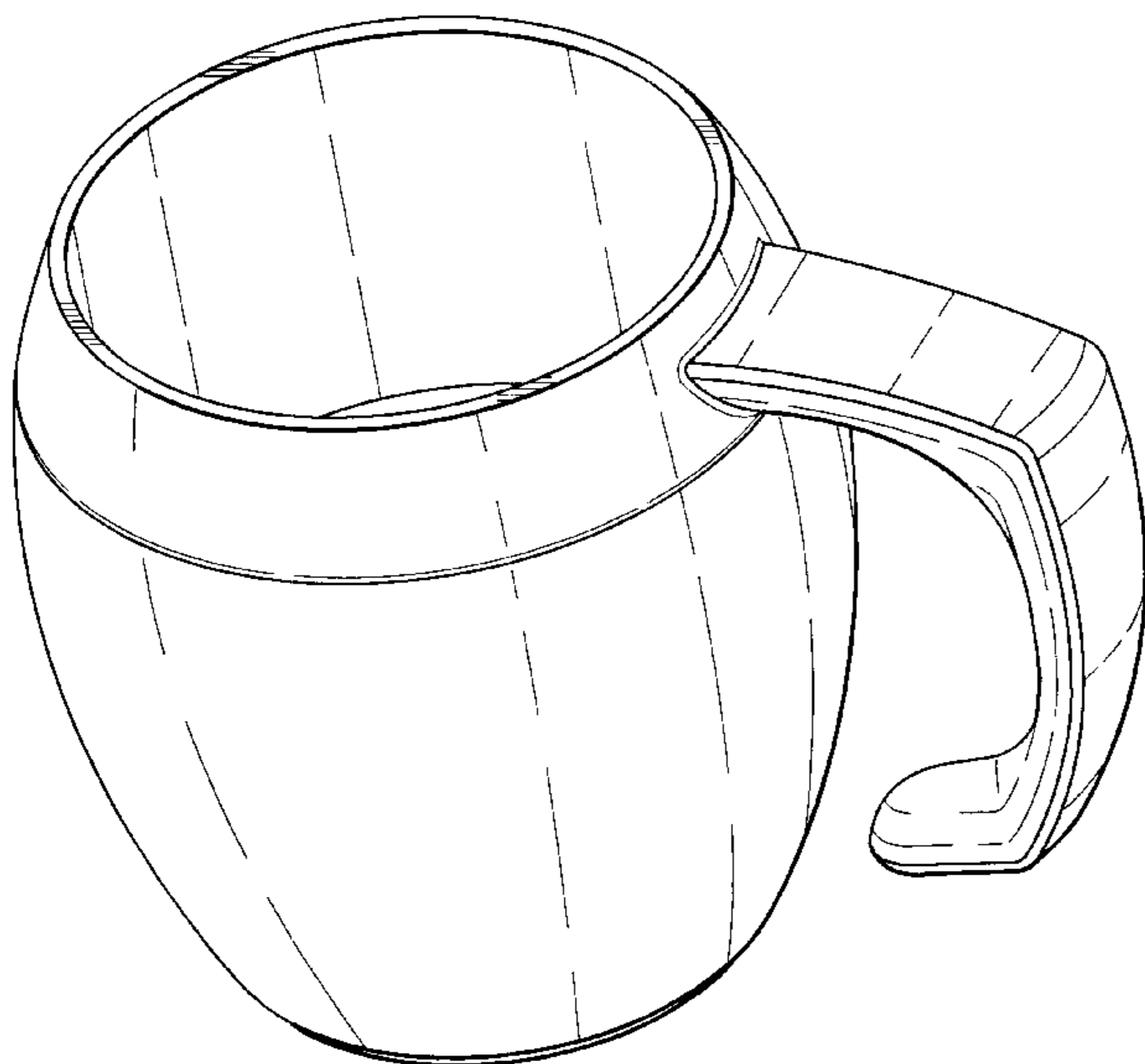


Fig. 1

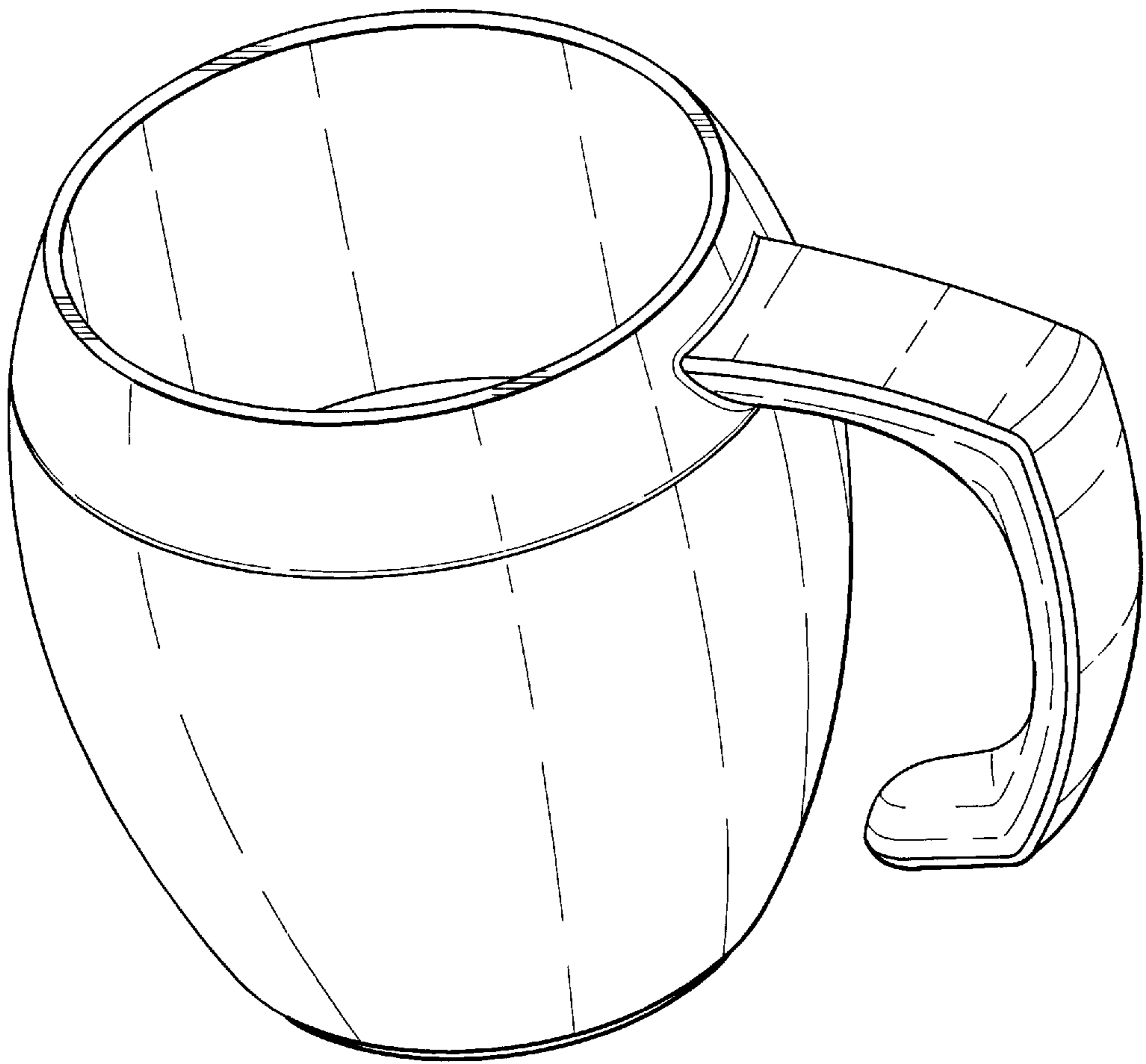


Fig. 2

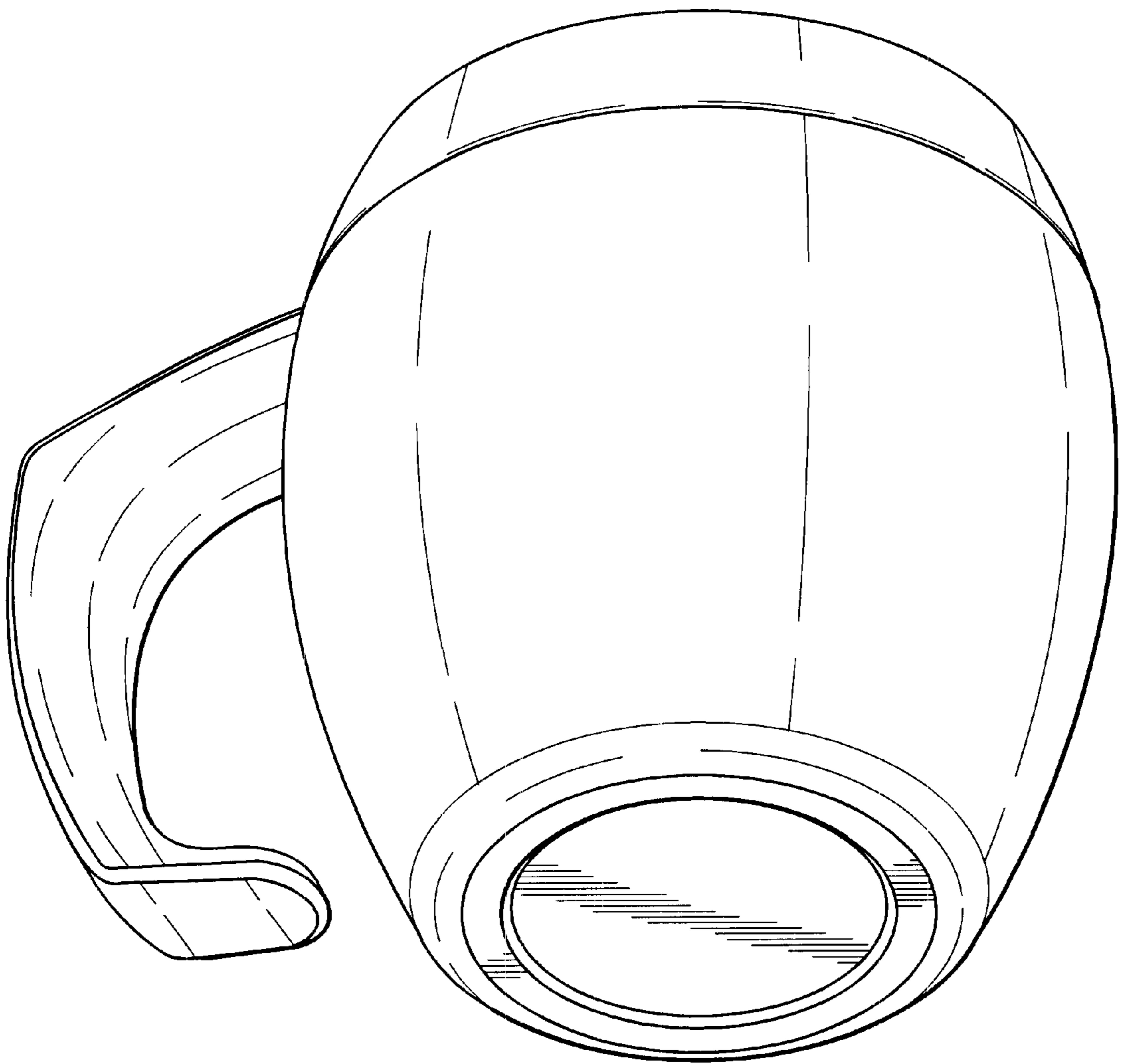


Fig. 3

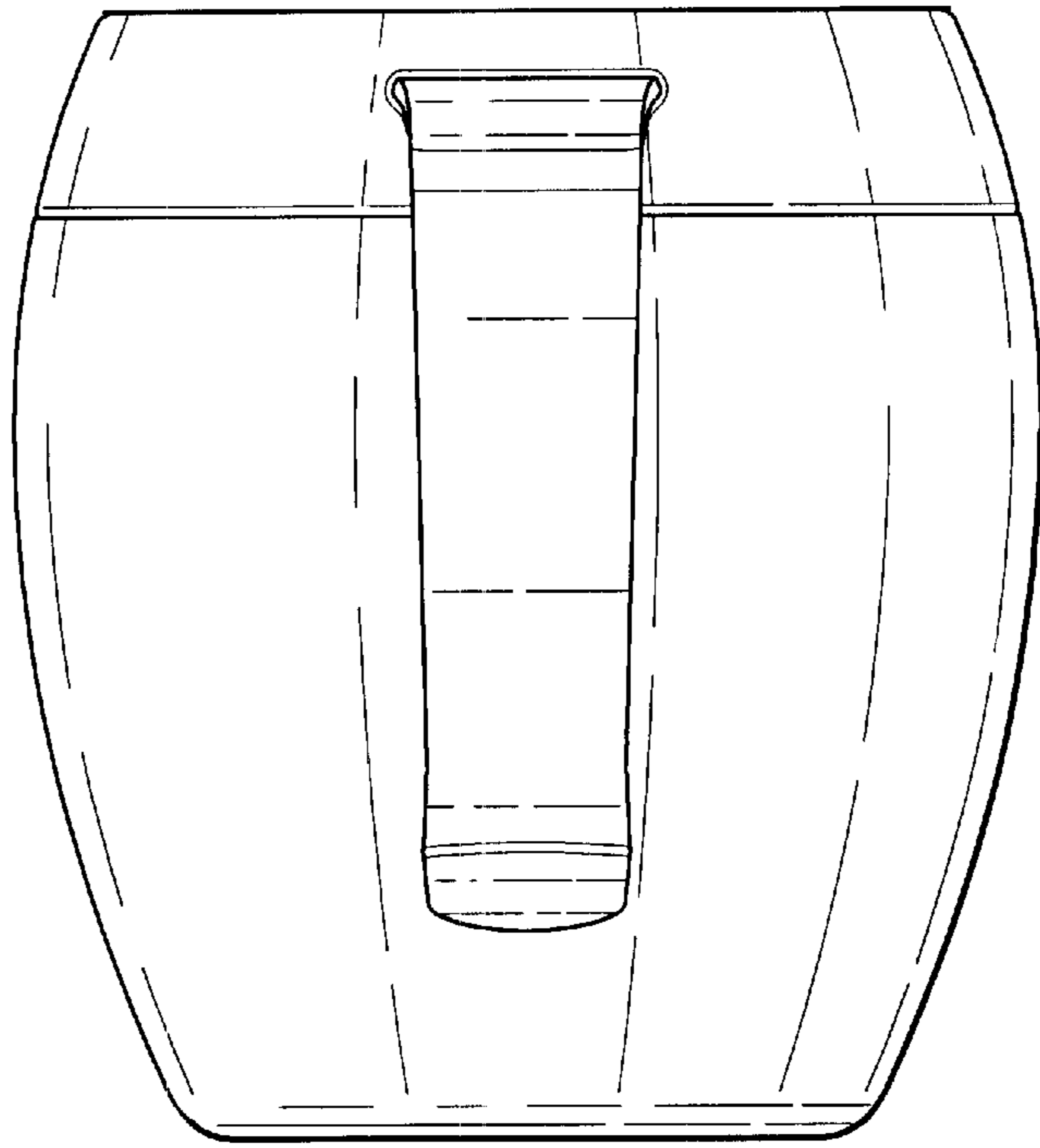


Fig. 4

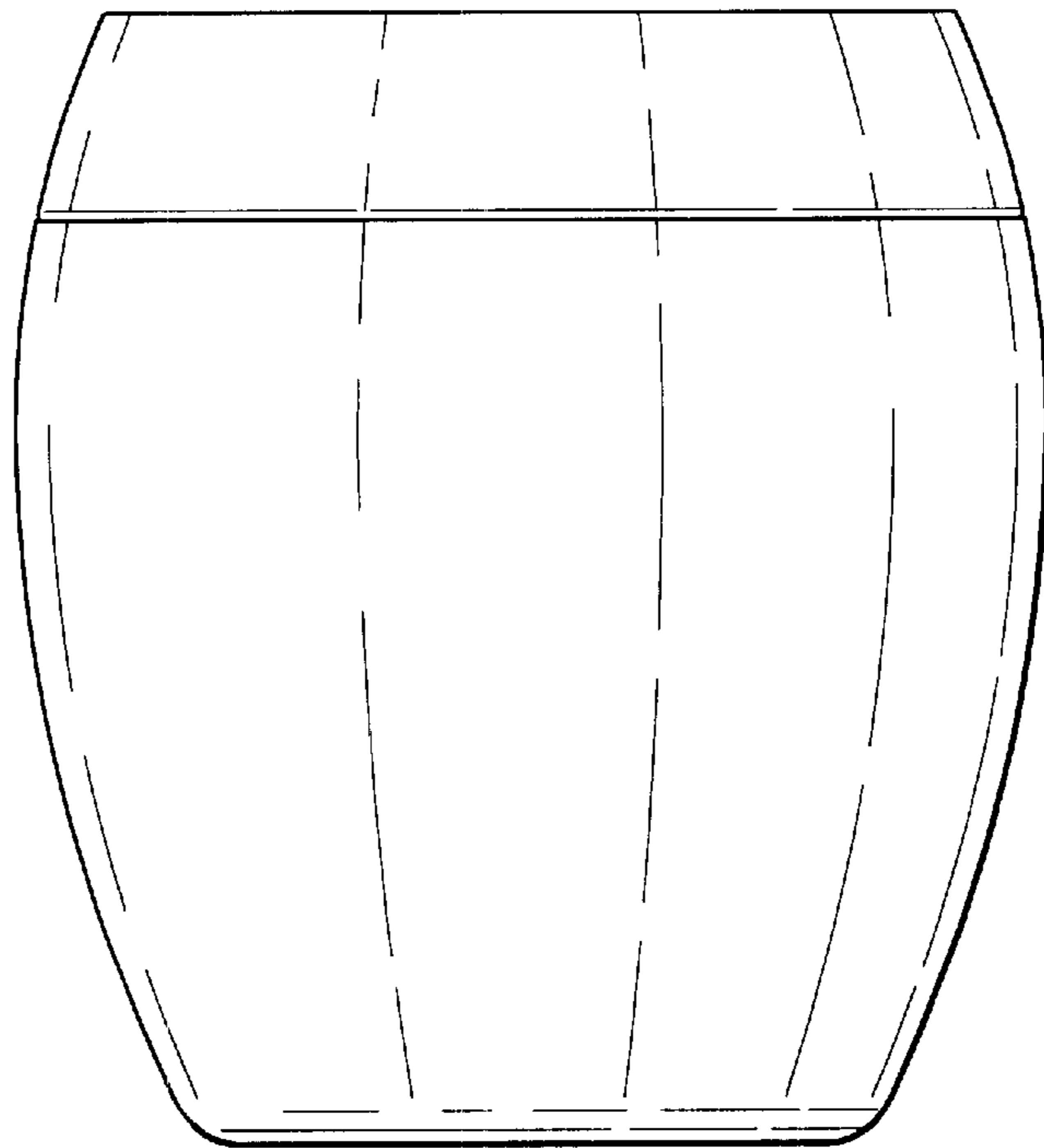


Fig. 5

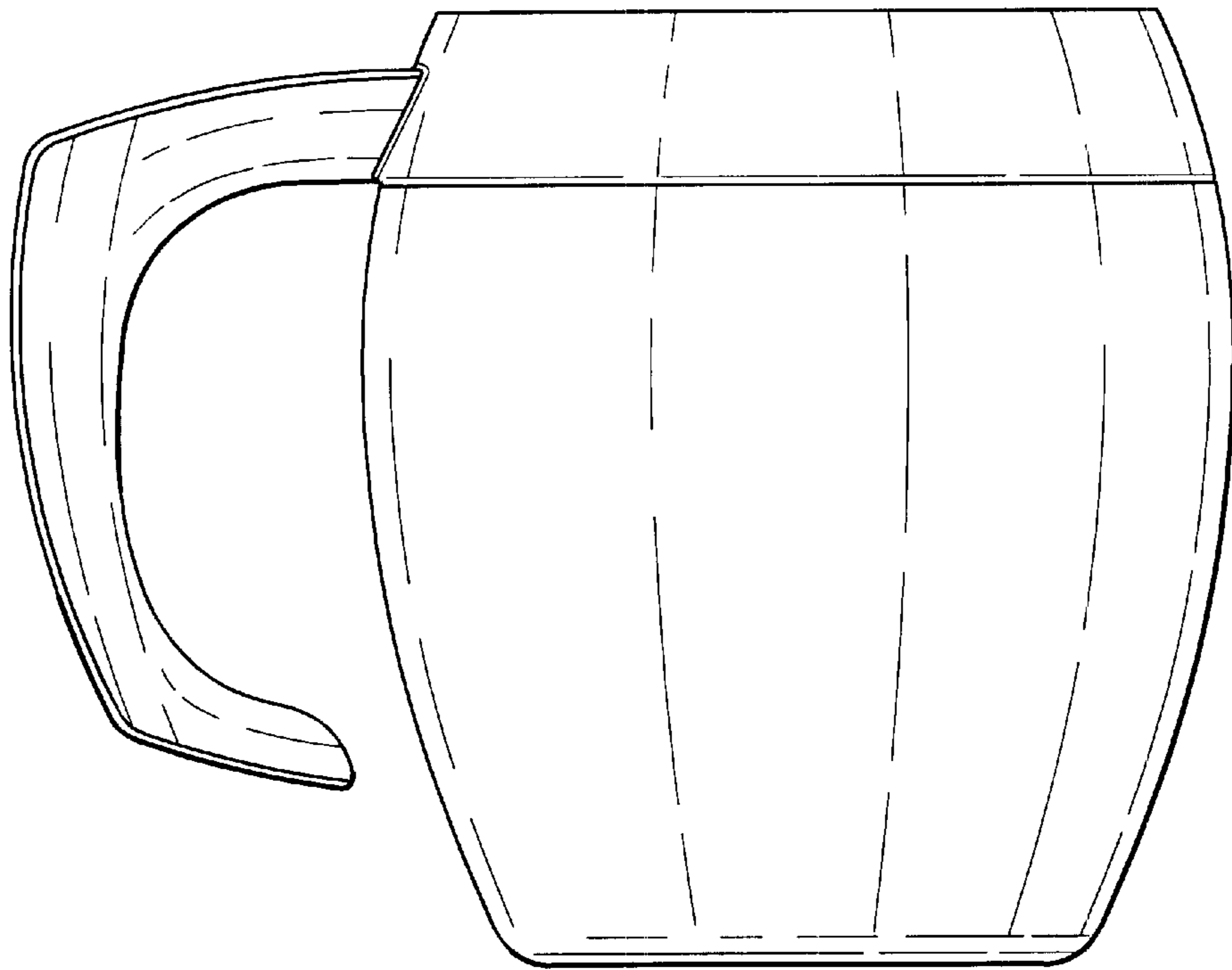


Fig. 6

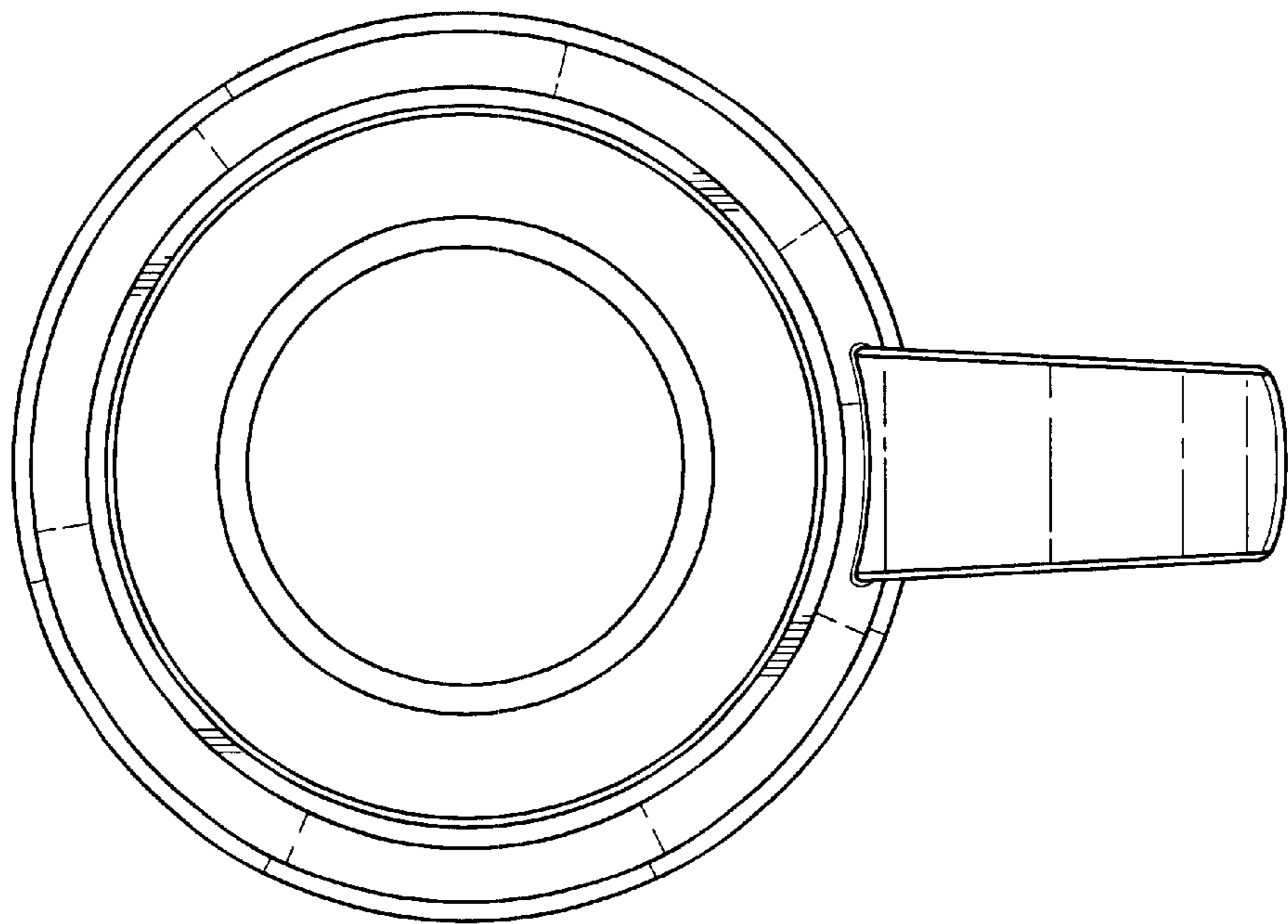


Fig. 7

