



US00D480600S

(12) **United States Design Patent**  
**Lillelund et al.**

(10) **Patent No.:** **US D480,600 S**

(45) **Date of Patent:** **\*\* Oct. 14, 2003**

(54) **COVER FOR A SERVING BOWL**  
(75) Inventors: **Stig Lillelund**, Gentofte (DK); **Hanne Dalsgaard Jeppesen**, Holte (DK); **Jakob Heiberg**, Charlottenlund (DK); **Robert H. C. M. Daenen**, Aalst (BE)

(73) Assignee: **Dart Industries Inc.**, Orlando, FL (US)

(\*\*) Term: **14 Years**

(21) Appl. No.: **29/165,657**

(22) Filed: **Aug. 14, 2002**

(51) **LOC (7) Cl.** ..... **07-01**

(52) **U.S. Cl.** ..... **D7/392.1**

(58) **Field of Search** ..... D7/391, 392, 392.1, D7/601, 602, 629, 538-542; D9/424-432, 434, 435, 454; 220/780-783, 792-794, 796-799, 805

(56) **References Cited**

**U.S. PATENT DOCUMENTS**

D160,647 S	*	10/1950	Muller-Mink	.....	D7/391
D184,760 S	*	3/1959	Ostrowsky	.....	D7/538
4,091,953 A		5/1978	Daenen		
4,417,504 A		11/1983	Yamamoto		
4,512,497 A		4/1985	Grusin		
D288,649 S		3/1987	Daenen et al.		
4,756,446 A		7/1988	Gen et al.		
5,099,998 A		3/1992	Curzon et al.		
5,266,763 A		11/1993	Colombo		

5,345,784 A		9/1994	Bazemore et al.		
D353,080 S		12/1994	Cantereels et al.		
D373,932 S		9/1996	Onneweer		
5,626,256 A		5/1997	Onneweer	.....	220/574
D384,241 S	*	9/1997	Brasset	.....	D7/391
5,787,839 A		8/1998	Magnant et al.	.....	119/51.5
D403,922 S		1/1999	Terracciano et al.	.....	D7/542
D417,367 S		12/1999	Laib	.....	D7/602
D421,202 S		2/2000	Demers	.....	D7/538
6,152,319 A		11/2000	Kamachi et al.	.....	220/592.2
6,276,555 B1		8/2001	Edwards	.....	220/572
D454,275 S		3/2002	Lillelund et al.	.....	D7/319

\* cited by examiner

*Primary Examiner*—Terry A. Wallace

(74) *Attorney, Agent, or Firm*—John A. Doninger

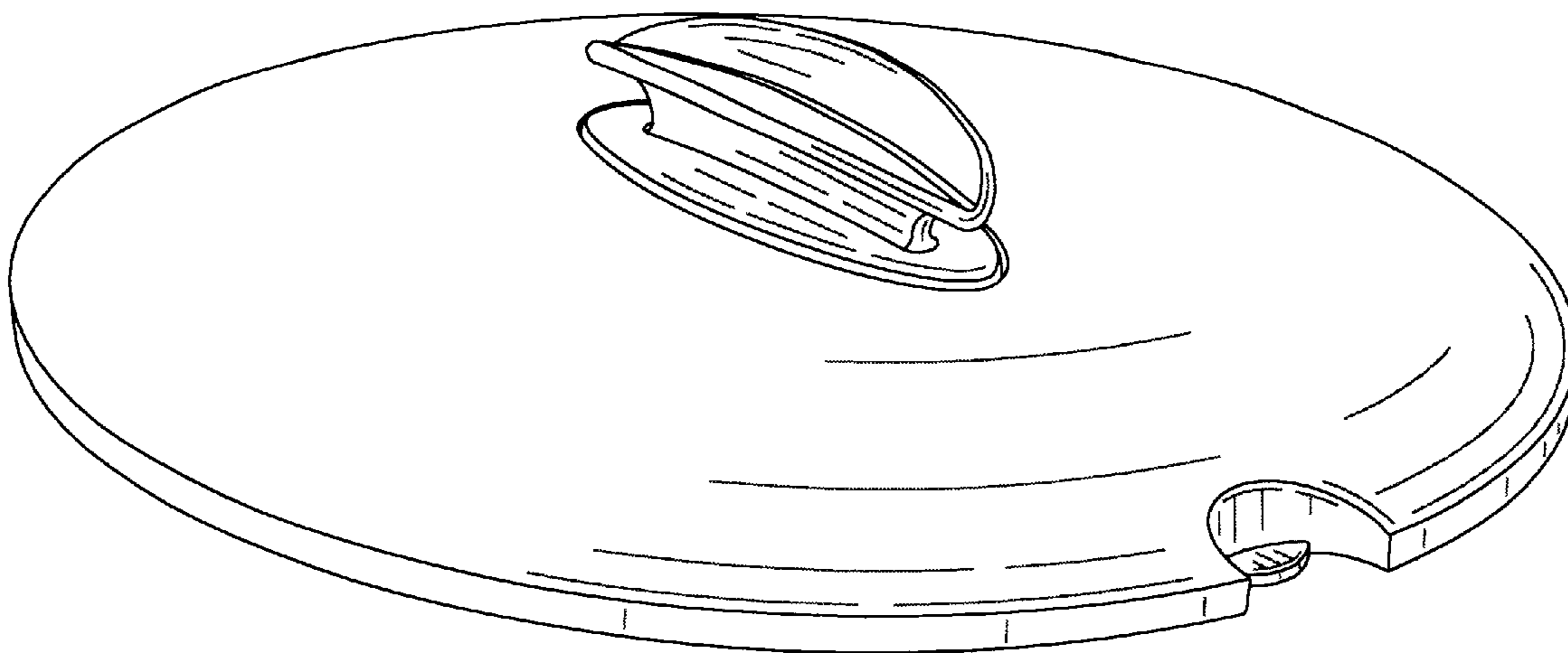
(57) **CLAIM**

The ornamental design for a cover for a serving bowl, as shown and described.

**DESCRIPTION**

FIG. 1 is a top, right side and front perspective view of a cover for a serving bowl showing the new design; FIG. 2 is a front elevation view thereof; FIG. 3 is a rear elevation view thereof; FIG. 4 is a right side elevation view thereof; FIG. 5 is a left side elevation view thereof; FIG. 6 is a top plan view thereof; and, FIG. 7 is a bottom plan view thereof.

**1 Claim, 3 Drawing Sheets**



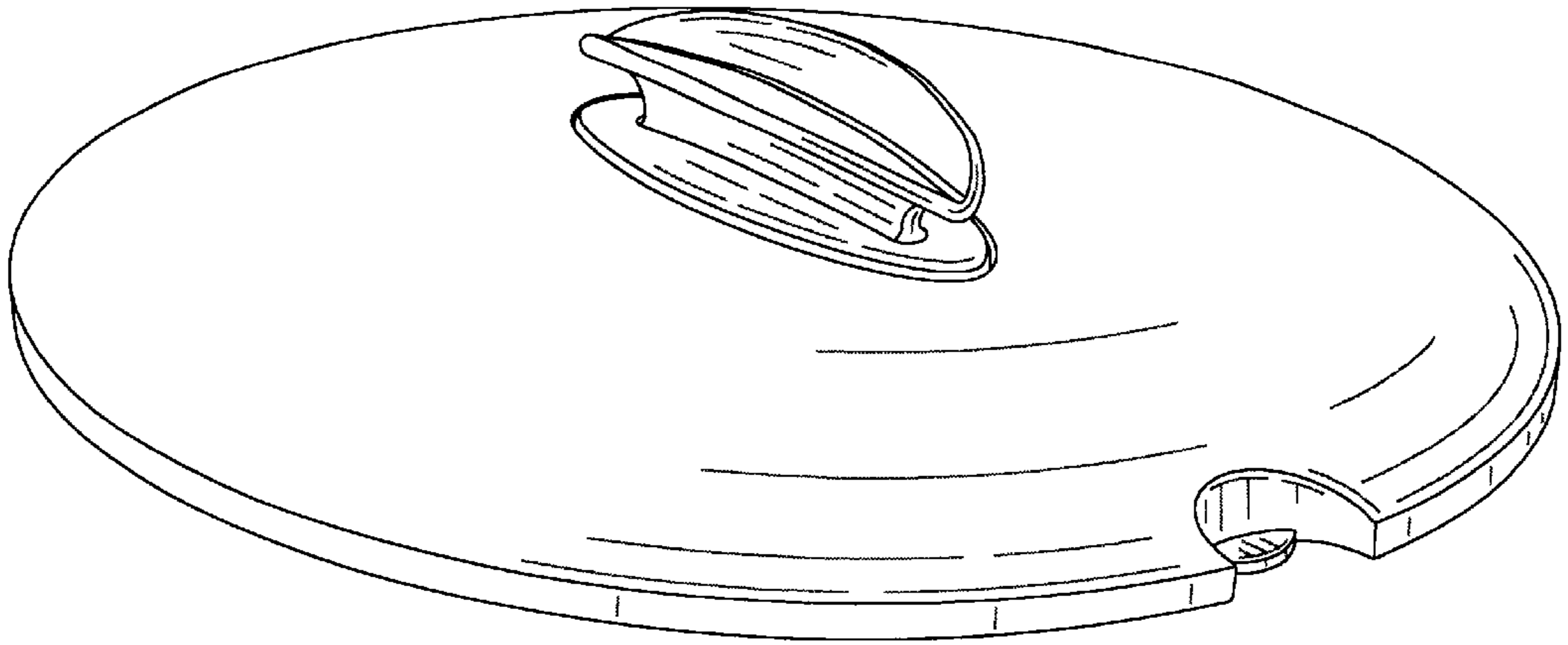


FIG. 1

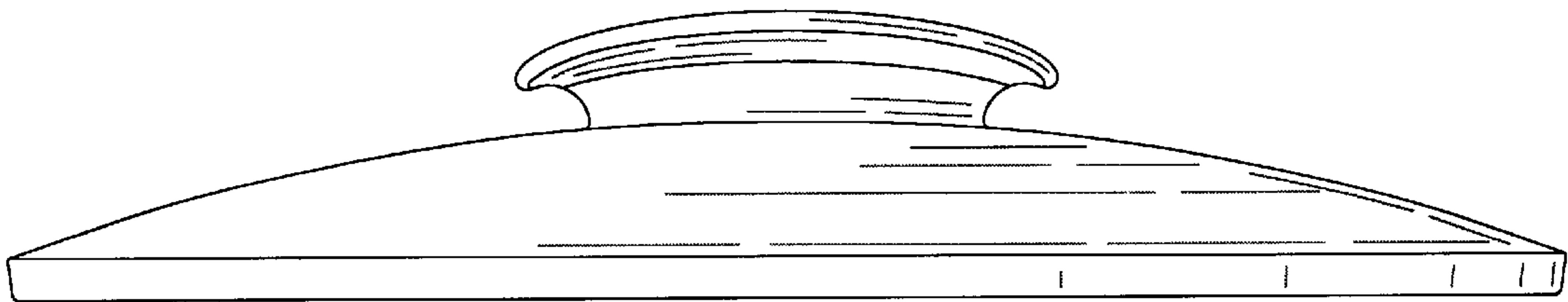


FIG. 2

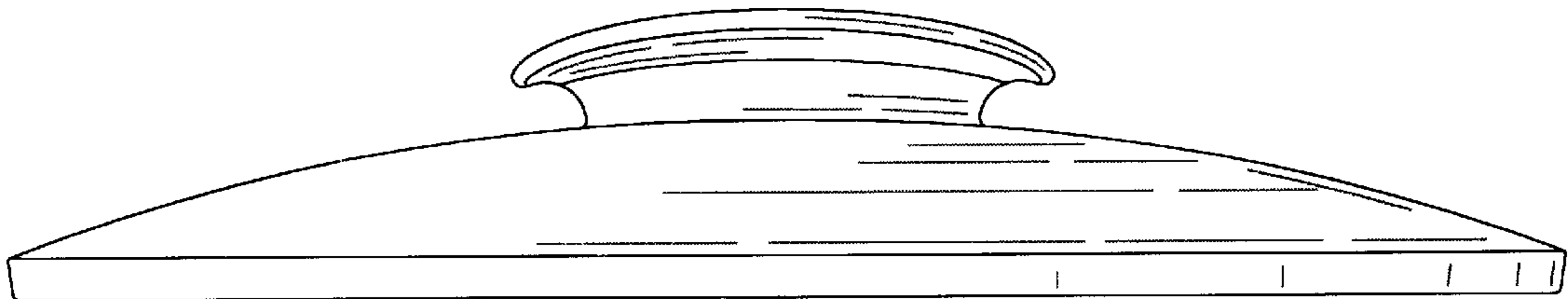


FIG. 3

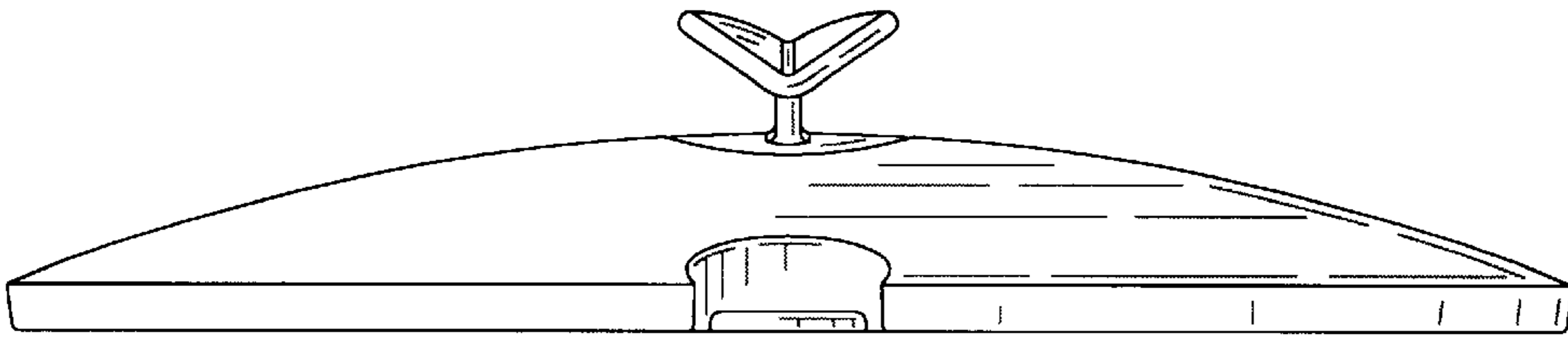


FIG. 4

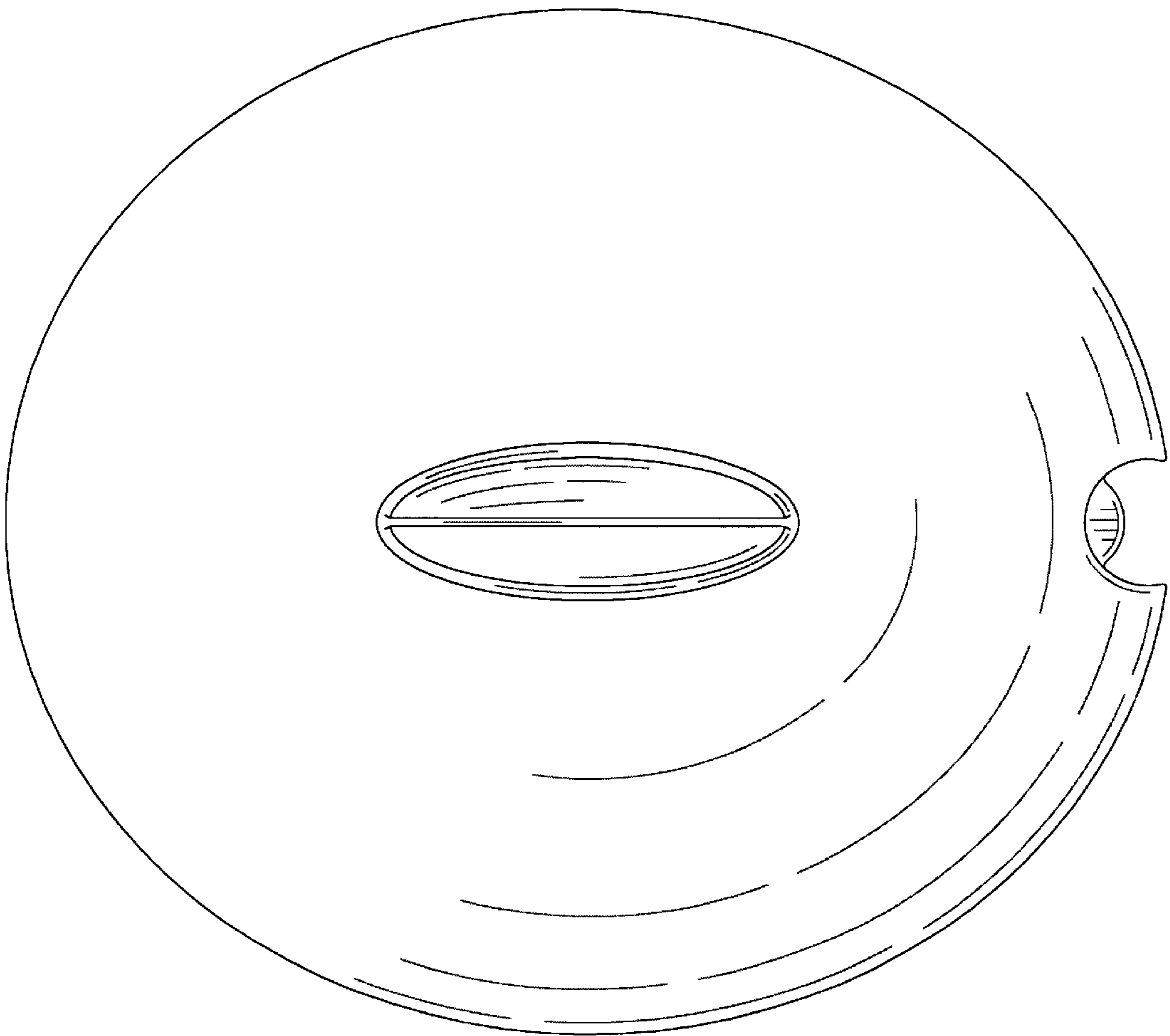


FIG. 6

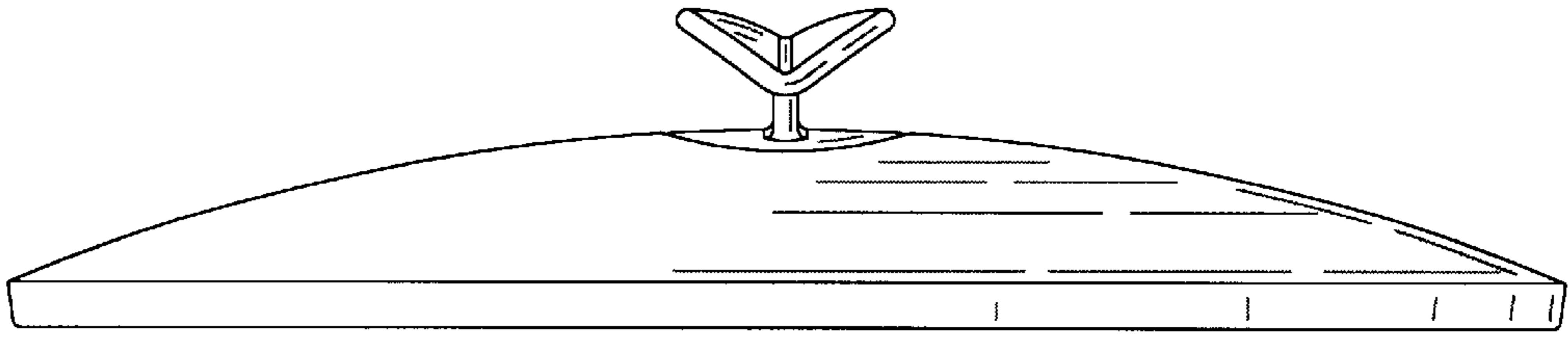


FIG. 5

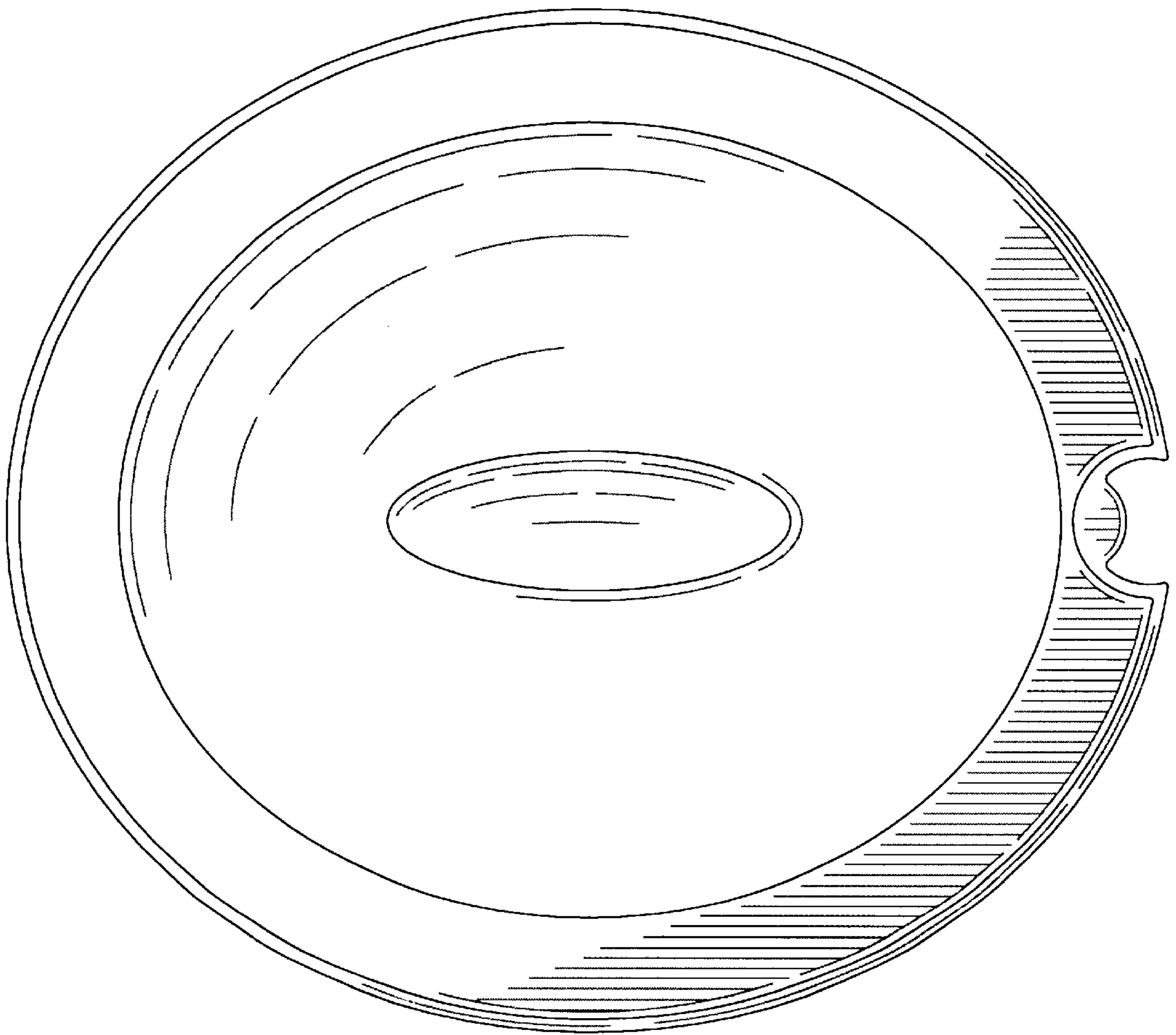


FIG. 7