



US00D480599S

(12) **United States Design Patent**
Linz et al.

(10) **Patent No.: US D480,599 S**

(45) **Date of Patent: ** Oct. 14, 2003**

(54) **SHAKER TOP**

(76) Inventors: **Kerry Linz**, 23844 S. Kurr La., Crete, IL (US) 60417; **Chui Ying Ko**, 18C Easy Tower, 609 Tai Nan West Street, Cheung Sha Wan (HK)

(**) Term: **14 Years**

(21) Appl. No.: **29/165,468**

(22) Filed: **Aug. 12, 2002**

(51) **LOC (7) Cl. 07-01**

(52) **U.S. Cl. D7/392; D7/392.1**

(58) **Field of Search D7/392, 392.1, D7/391, 300.1, 598, 591, 597, 300, 900; D24/197; 99/508; D9/526, 452, 454, 503; D32/37; 40/324; 220/592.16, 23.83, 568**

(56) **References Cited**

U.S. PATENT DOCUMENTS

- 300,867 A * 6/1884 Hauck 220/568
- 324,173 A * 8/1885 Seips 220/568
- 1,042,751 A * 10/1912 Barker 220/568
- 1,201,284 A * 10/1916 Gilchrist 220/568 X
- 1,568,691 A * 1/1926 Pierson 99/508
- 1,657,927 A * 1/1928 Heinzen 220/568
- 1,740,223 A * 12/1929 Burvenick 220/568

- 1,744,328 A * 1/1930 Morley 215/383
- 1,748,483 A * 2/1930 Hyde 99/508
- 1,765,129 A * 6/1930 Cooke 220/568
- D96,091 S * 7/1935 Chernoff D7/300.1
- D96,965 S * 9/1935 Fuerst D7/300.1
- 2,013,615 A * 9/1935 Fontan 220/568
- 2,090,320 A * 8/1937 Amick 215/12.1
- 2,090,998 A * 8/1937 Amick 220/568 X
- D291,523 S * 8/1987 Minuti D7/300.1
- 5,277,324 A * 1/1994 Cash 215/392

* cited by examiner

Primary Examiner—M. N. Pandozzi

(74) *Attorney, Agent, or Firm*—Faier & Fair, P.C.

(57) **CLAIM**

The ornamental design for the shaker top, embodying the invention as shown and described.

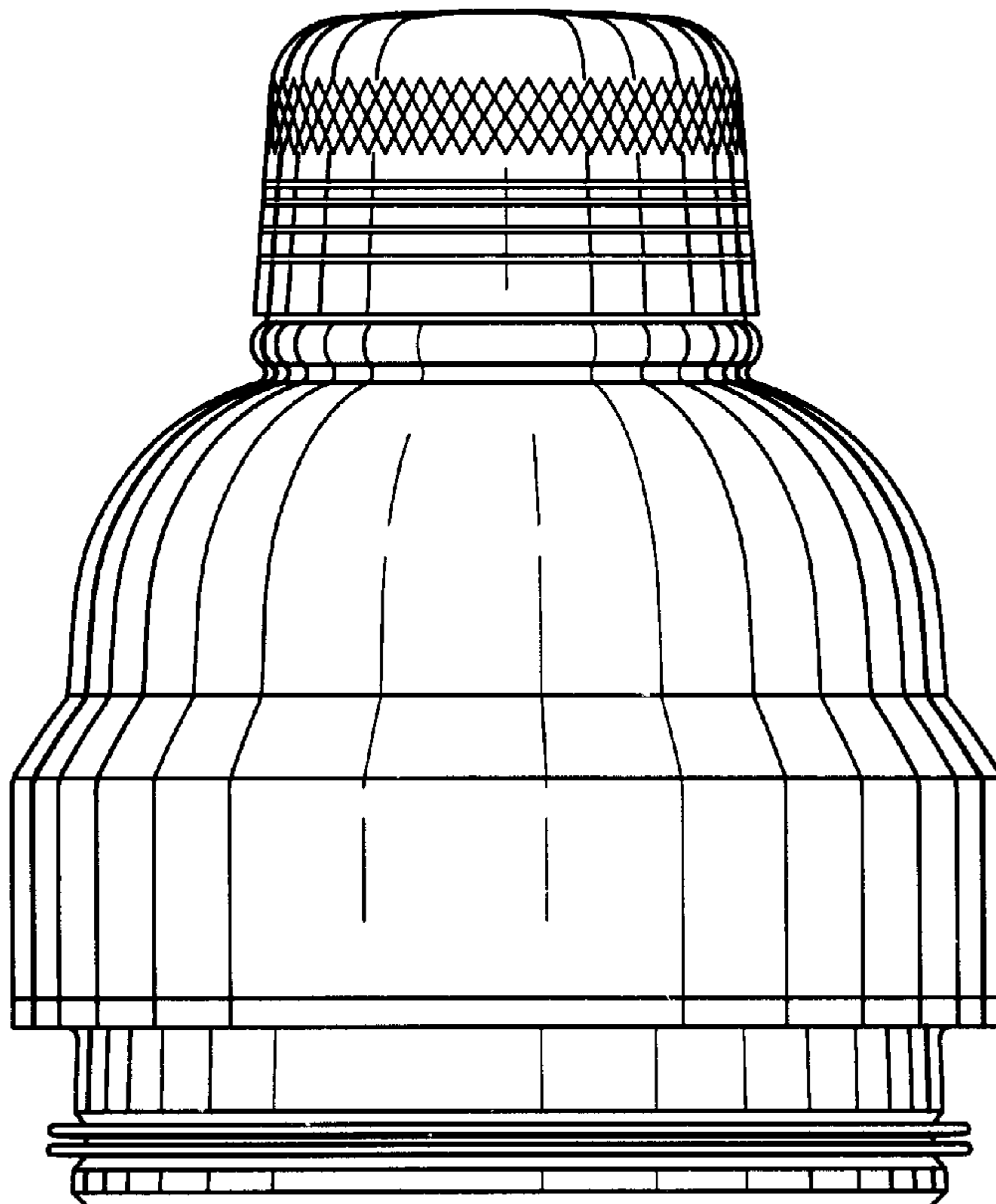
DESCRIPTION

FIG. 1 is a front view of the shaker top embodying the invention.

FIG. 2 is a top view of the shaker top embodying the invention; and,

FIG. 3 is a bottom view of the shaker top embodying the invention.

1 Claim, 1 Drawing Sheet



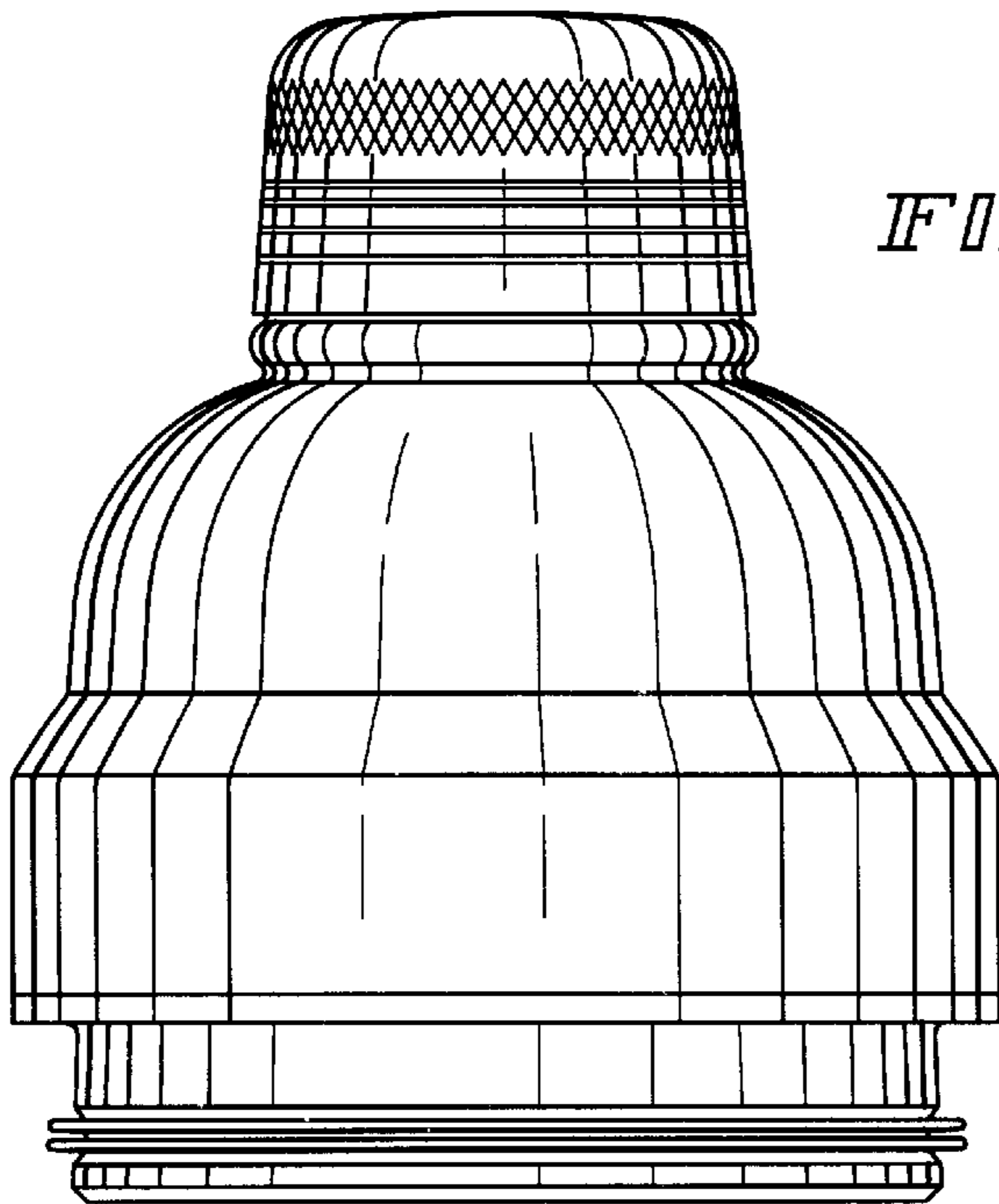


FIG. 1

FIG. 2

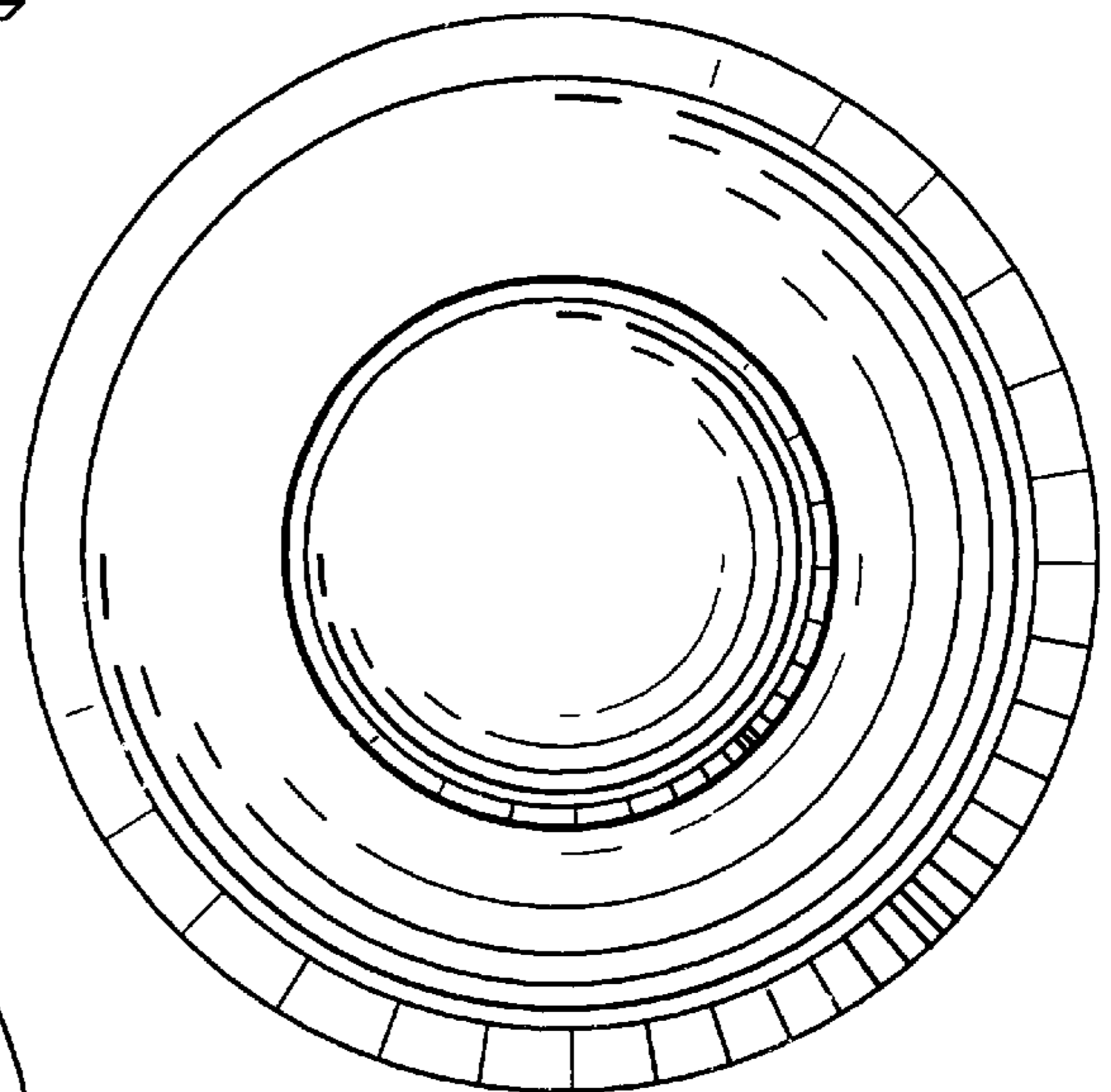


FIG. 3

