



US00D480596S

(12) **United States Design Patent**
Dellinger et al.

(10) **Patent No.:** **US D480,596 S**

(45) **Date of Patent:** **** Oct. 14, 2003**

(54) **PEDESTAL GRILL**

(75) **Inventors:** **James Scott Dellinger**, Johnson City, TN (US); **Bill G. Neal**, Chuckey, TN (US)

(73) **Assignee:** **Meco Corporation**, Greeneville, TN (US)

(**) **Term:** **14 Years**

(21) **Appl. No.:** **29/169,444**

(22) **Filed:** **Oct. 18, 2002**

(51) **LOC (7) Cl.** **07-02**

(52) **U.S. Cl.** **D7/335**

(58) **Field of Search** D7/332-337, 402-404; 126/25 R, 25 A, 25 AA, 9 R, 9 A, 9 B, 38, 40, 41 R, 26, 29-30; 99/419, 421 R, 421 H, 421 HV

(56) **References Cited**

U.S. PATENT DOCUMENTS

- D406,488 S * 3/1999 Bates et al. D7/334
- D426,101 S * 6/2000 Pai D7/334

- 6,257,229 B1 * 7/2001 Stewart et al. 126/276
- D460,313 S * 7/2002 Crookshanks et al. D7/334
- 6,439,222 B1 * 8/2002 Dixon et al. 126/41 R
- D462,564 S * 9/2002 Brake et al. D7/334

* cited by examiner

Primary Examiner—Ruth McInroy

(74) *Attorney, Agent, or Firm*—McGuireWoods LLP

(57) **CLAIM**

The ornamental design for a pedestal grill, as shown.

DESCRIPTION

FIG. 1 is a front perspective view of a pedestal grill showing our new design, the control panel cover being shown in an open position;

FIG. 2 is a front view thereof;

FIG. 3 is a right side elevational view thereof;

FIG. 4 is a back view thereof;

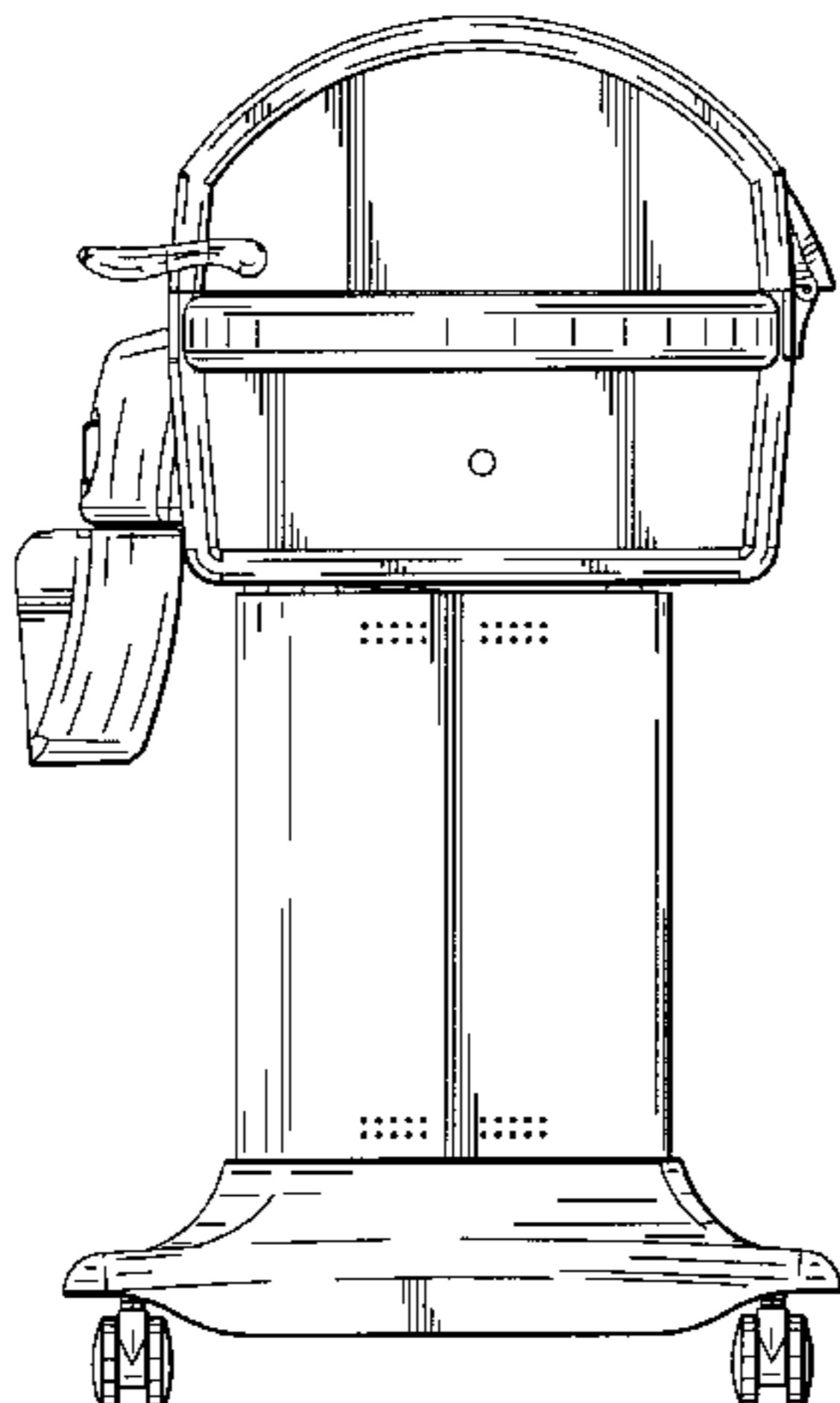
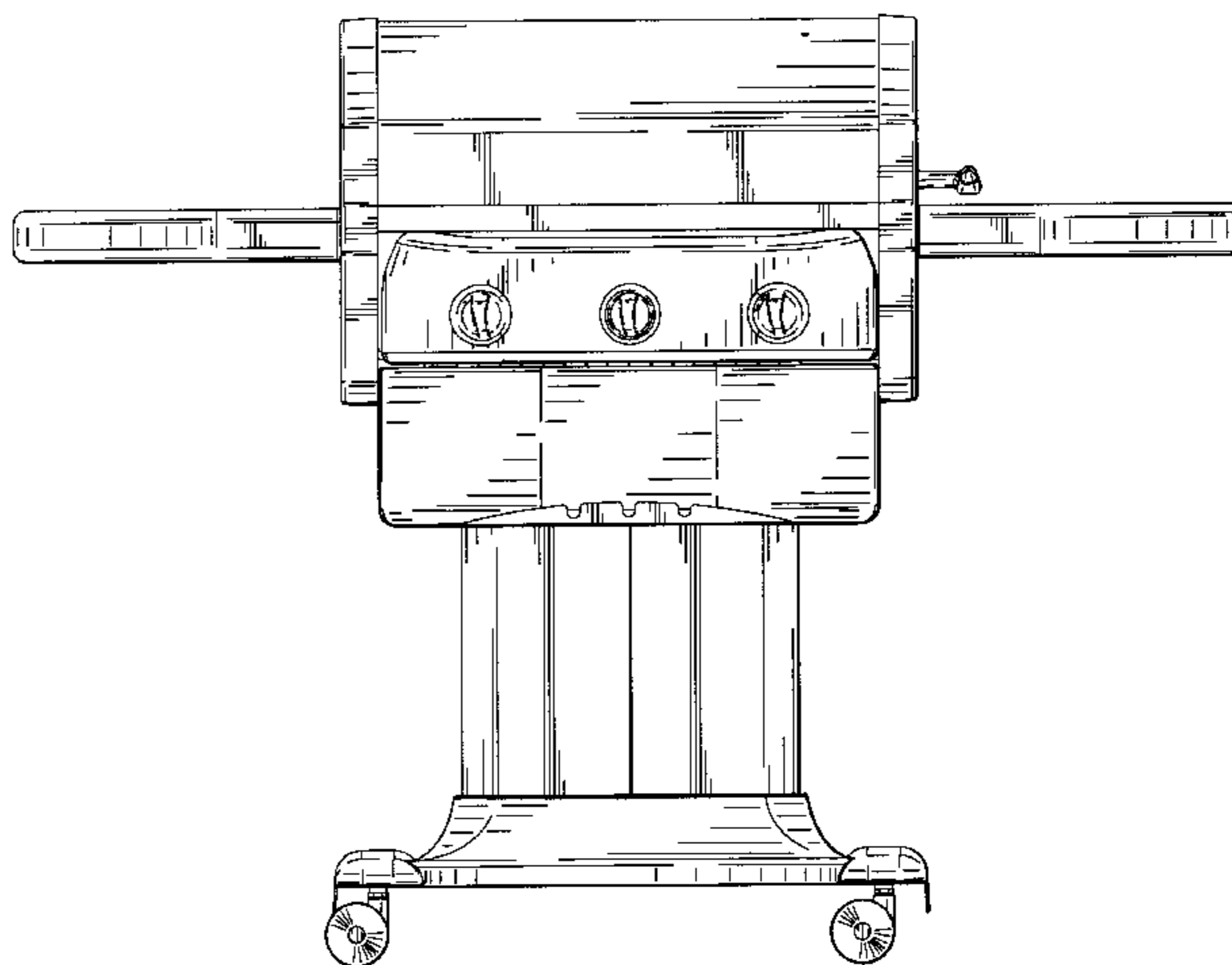
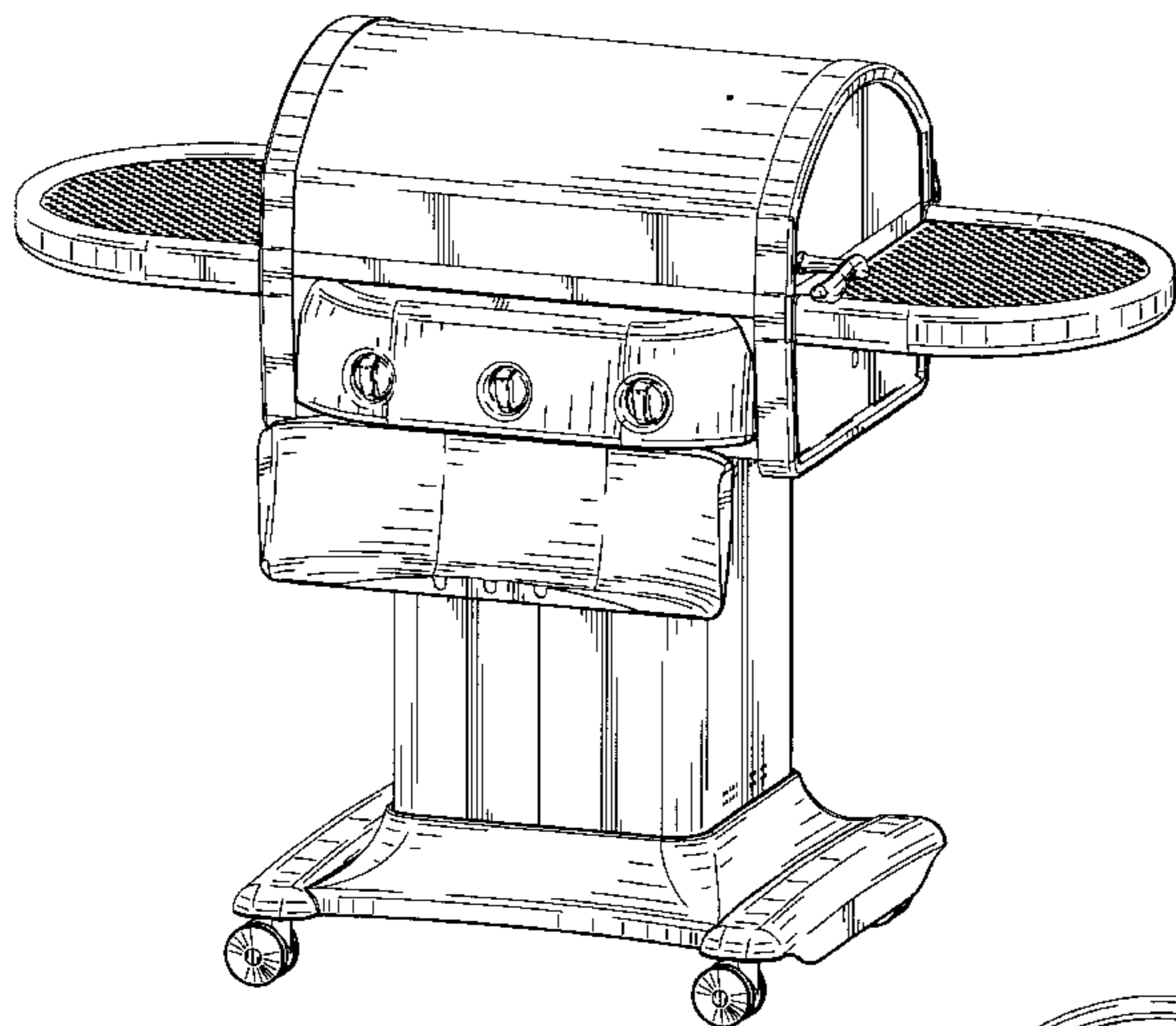
FIG. 5 is a left side elevational view thereof;

FIG. 6 is a top plan view thereof;

FIG. 7 is a bottom plan view thereof; and,

FIG. 8 is a front perspective view thereof, the control panel cover being shown in a closed position.

1 Claim, 8 Drawing Sheets



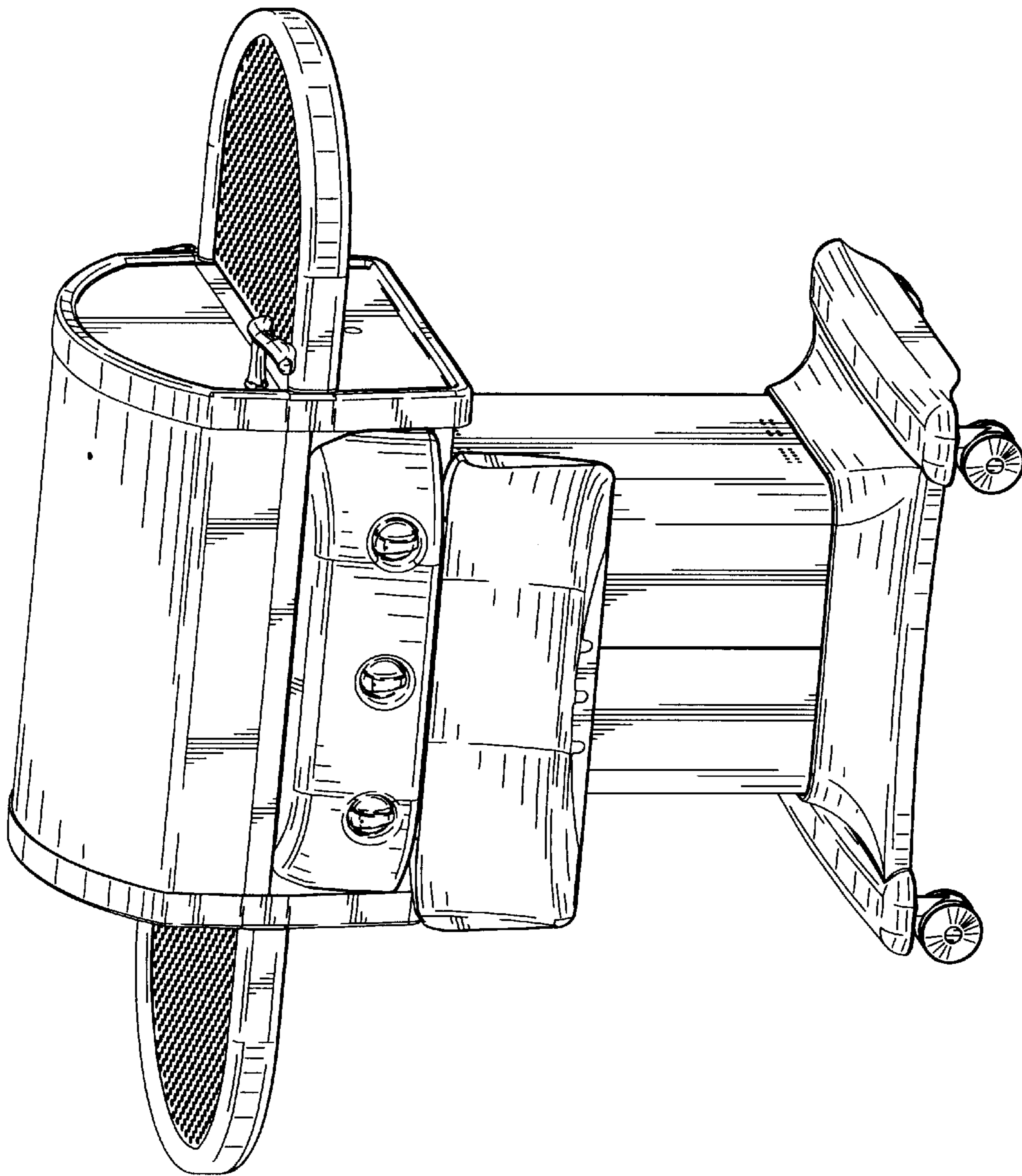


FIG. 1

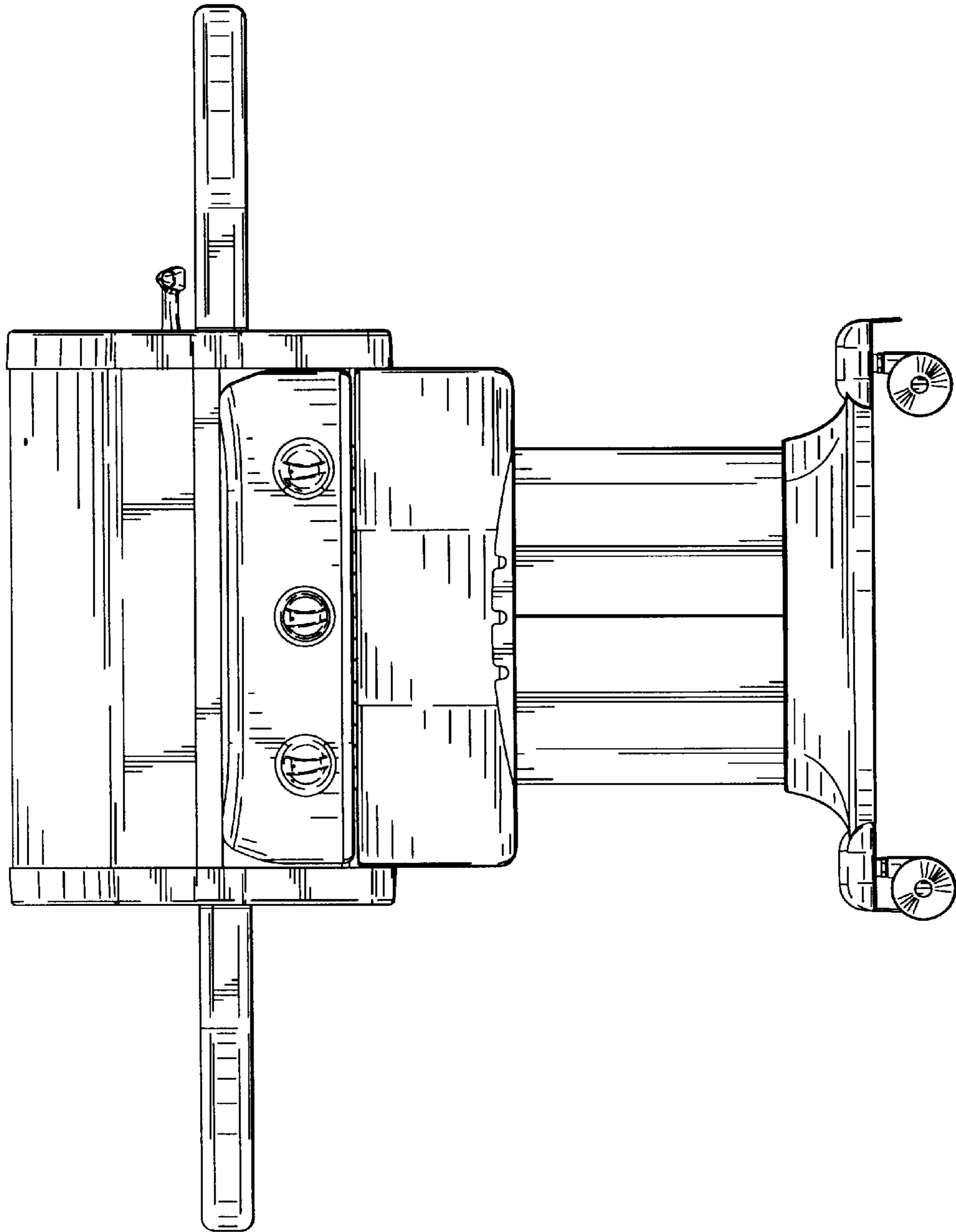


FIG. 2

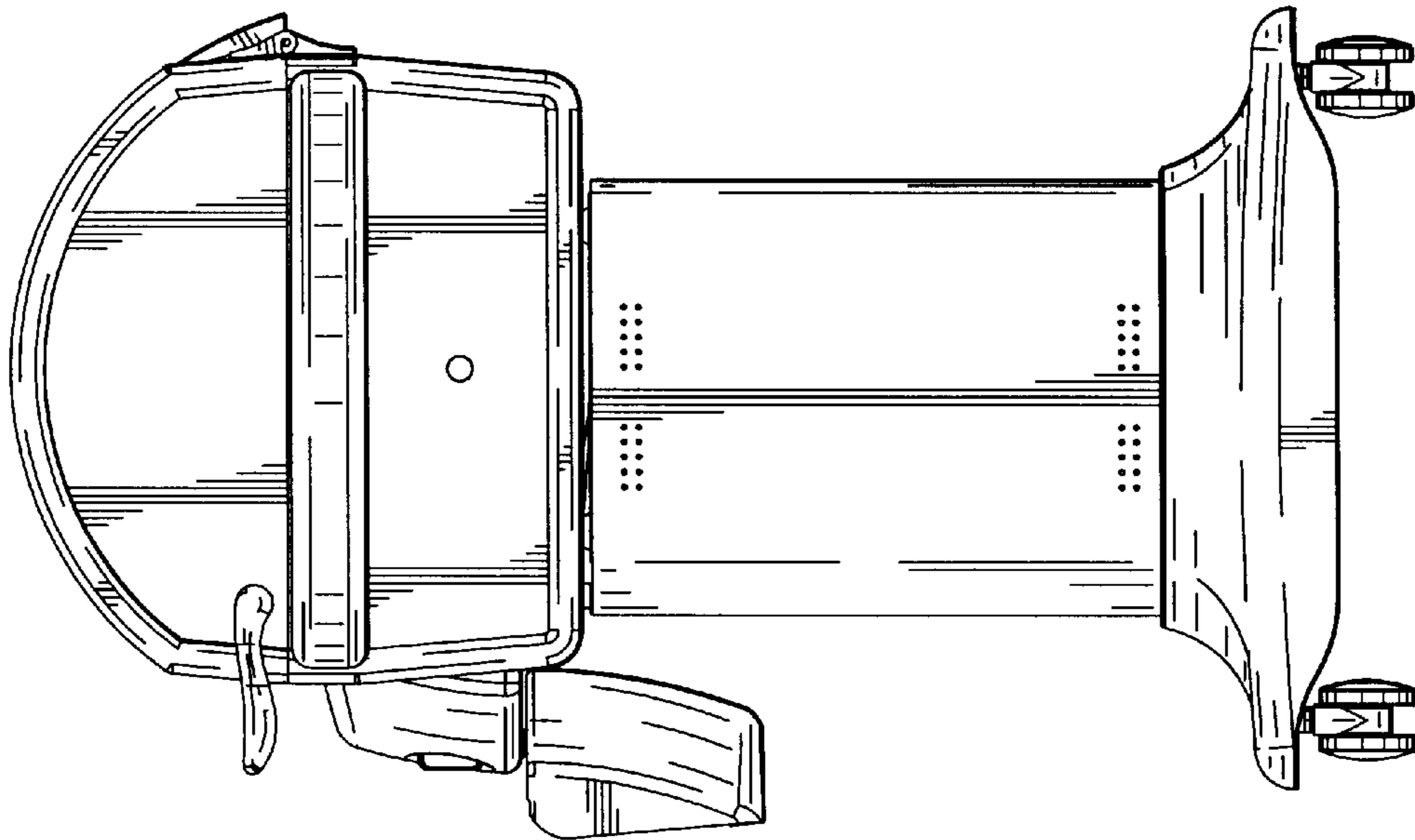


FIG. 3

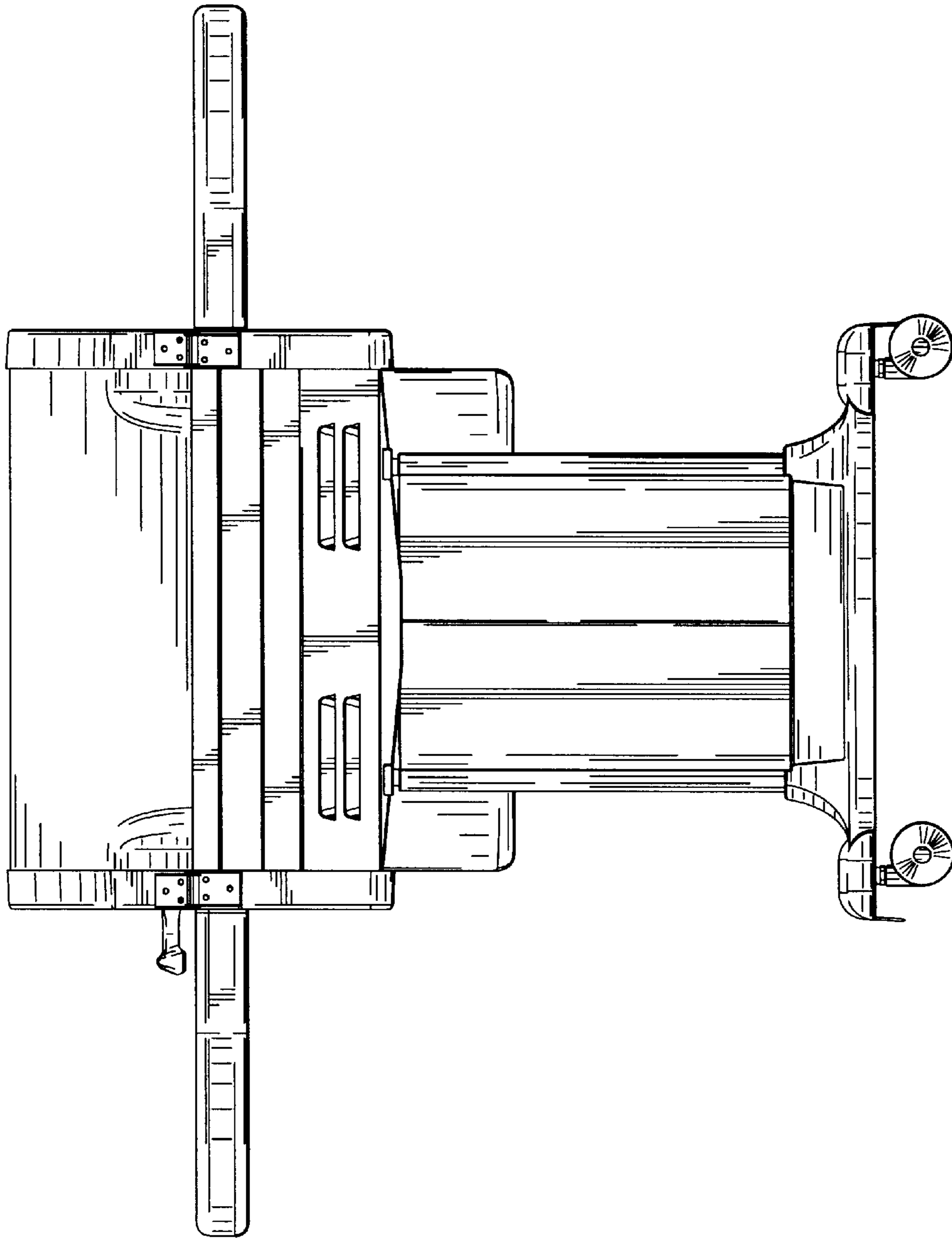


FIG. 4

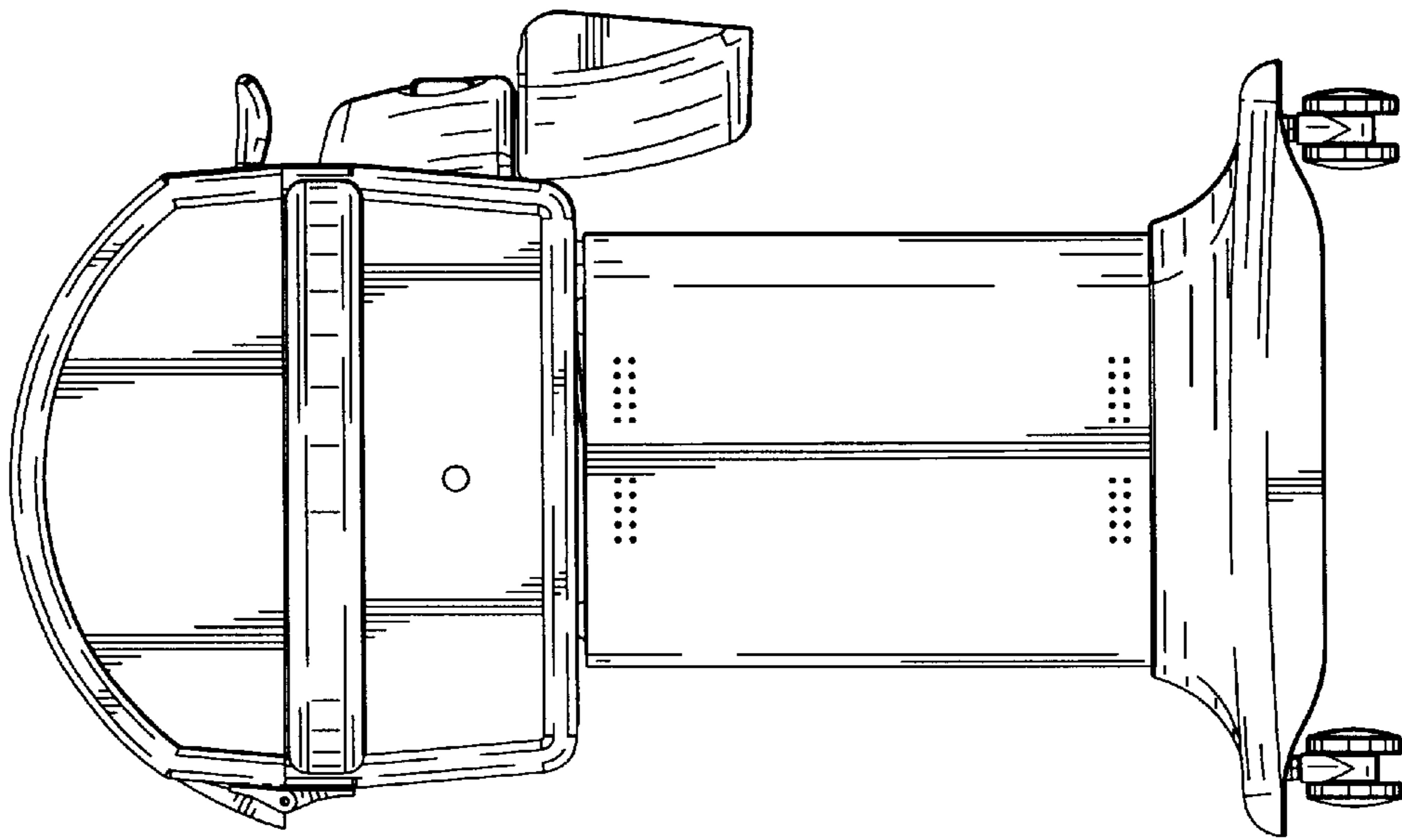


FIG. 5

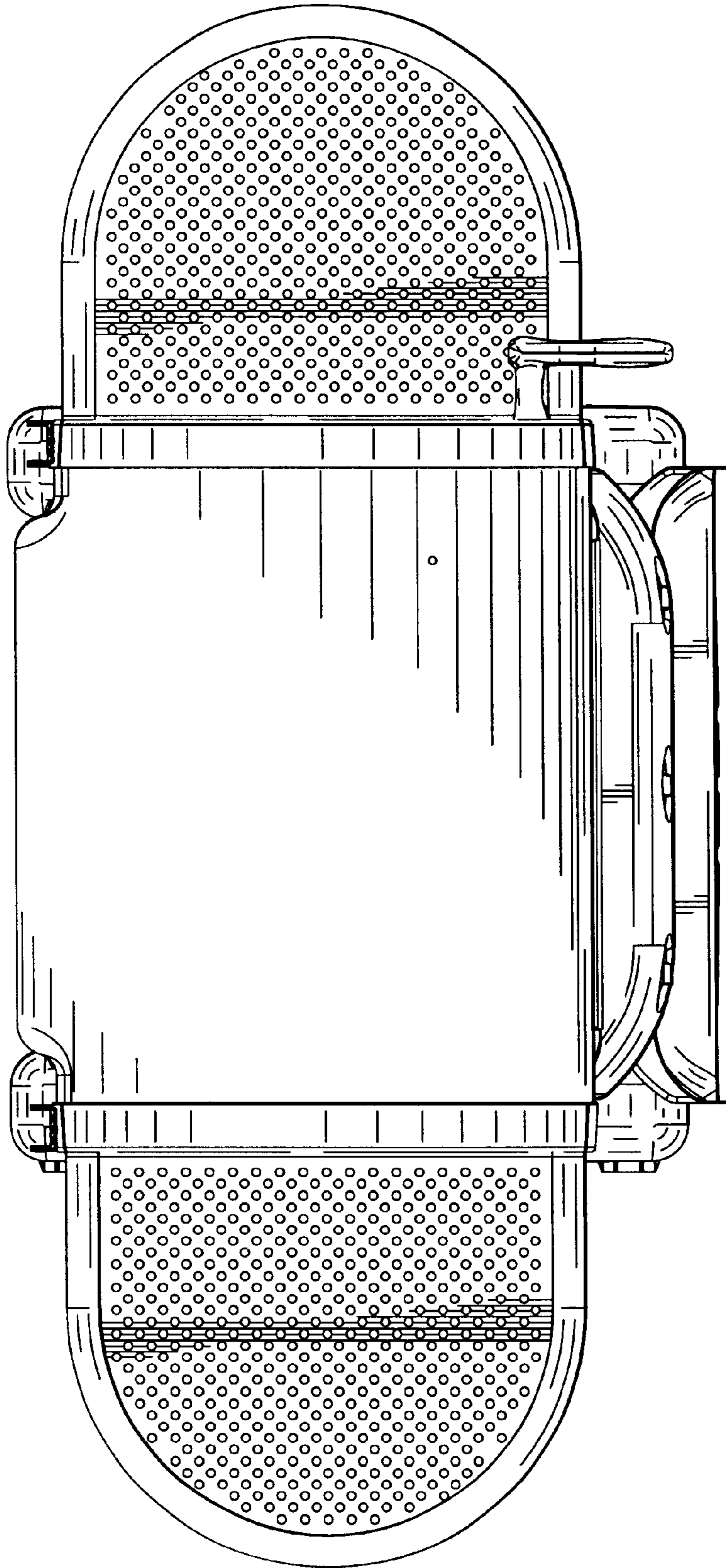


FIG. 6

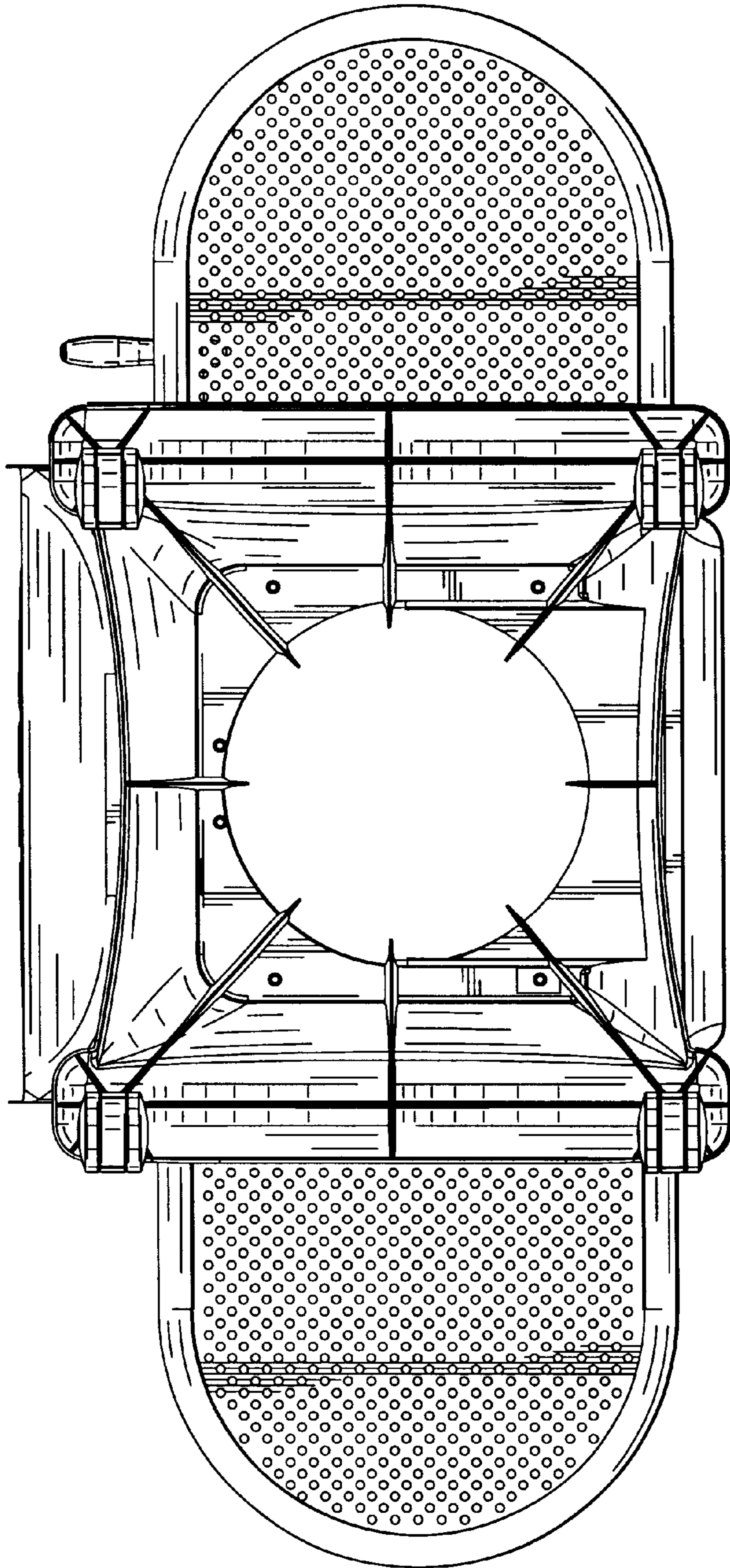


FIG. 7

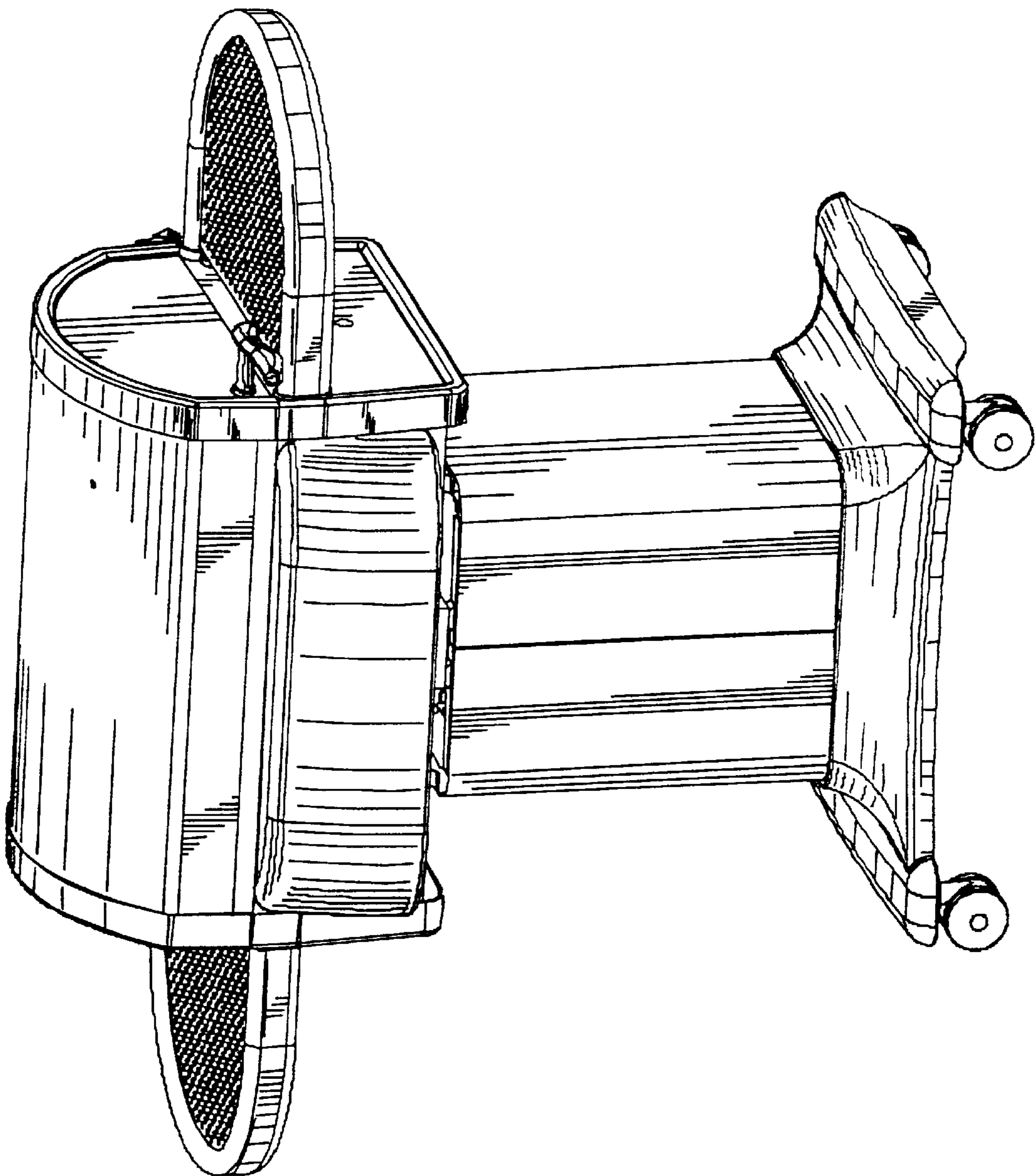


FIG. 8