



US00D480595S

(12) **United States Design Patent**
Pai

(10) **Patent No.:** **US D480,595 S**

(45) **Date of Patent:** **** Oct. 14, 2003**

(54) **ROASTER**

(76) **Inventor:** **Jui-Yen Pai**, No. 617, Sec. 4, Chung Hua Rd., Hsin Chu City (TW)

(**) **Term:** **14 Years**

(21) **Appl. No.:** **29/170,760**

(22) **Filed:** **Nov. 13, 2002**

(51) **LOC (7) Cl.** **07-02**

(52) **U.S. Cl.** **D7/334**

(58) **Field of Search** D7/332-337, 402-404;
126/25 R, 25 A, 25 AA, 41 R, 29-30, 9 R,
9 A, 9 B, 8; 99/419, 421 R

(56) **References Cited**

U.S. PATENT DOCUMENTS

- D188,879 S * 9/1960 Gauss et al. D7/334
- D192,199 S * 2/1962 Watson et al. D7/334
- 4,062,340 A * 12/1977 Huff 126/25 R
- D350,668 S * 9/1994 Giebel et al. D7/334
- 5,394,590 A * 3/1995 Yu 16/357

- D430,450 S * 9/2000 Chester D7/334
- 6,439,221 B1 * 8/2002 Ward et al. 126/25 R
- D466,358 S * 12/2002 Eisinger et al. D7/334
- D474,063 S * 5/2003 Eisinger et al. D7/334

* cited by examiner

Primary Examiner—Ruth McInroy

(74) *Attorney, Agent, or Firm*—Rosenberg, Klein & Lee

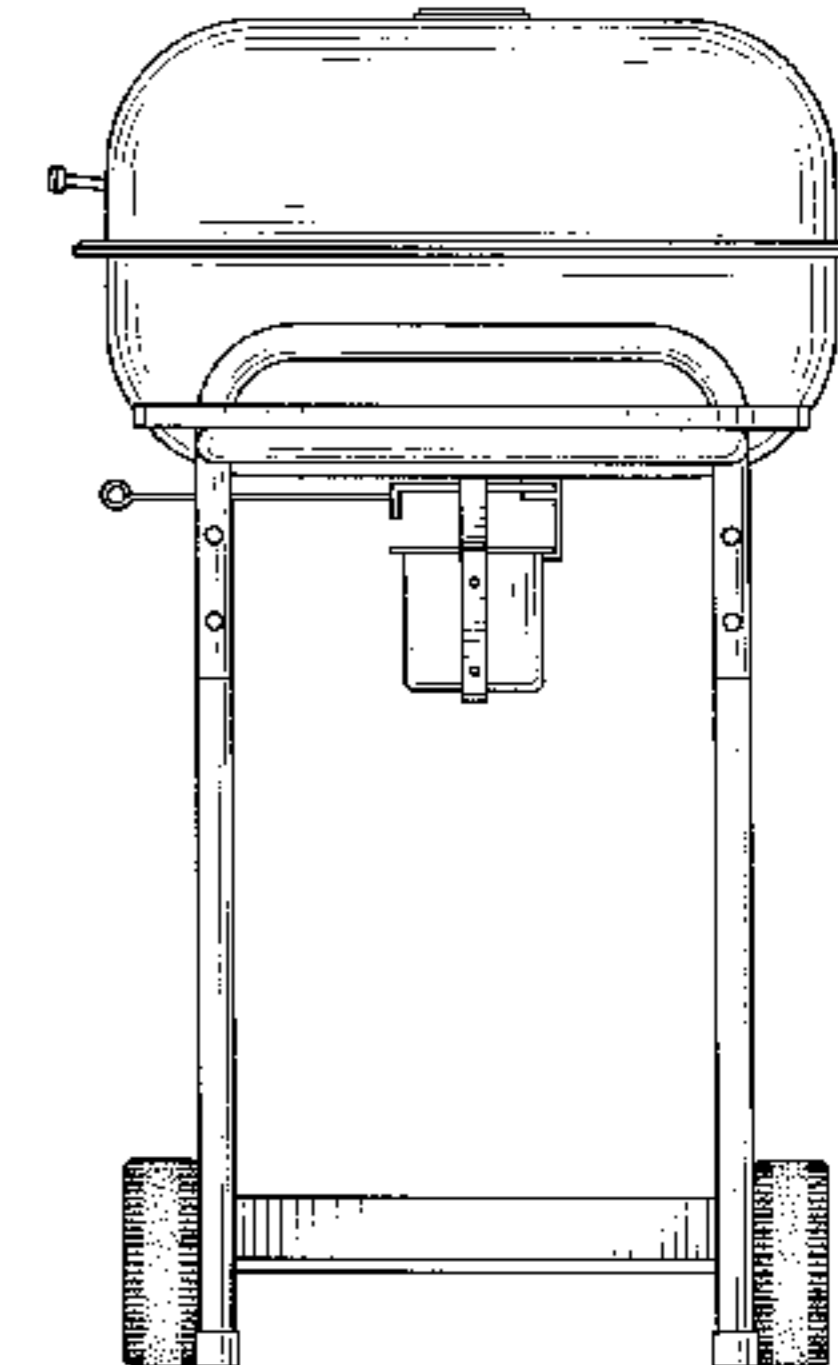
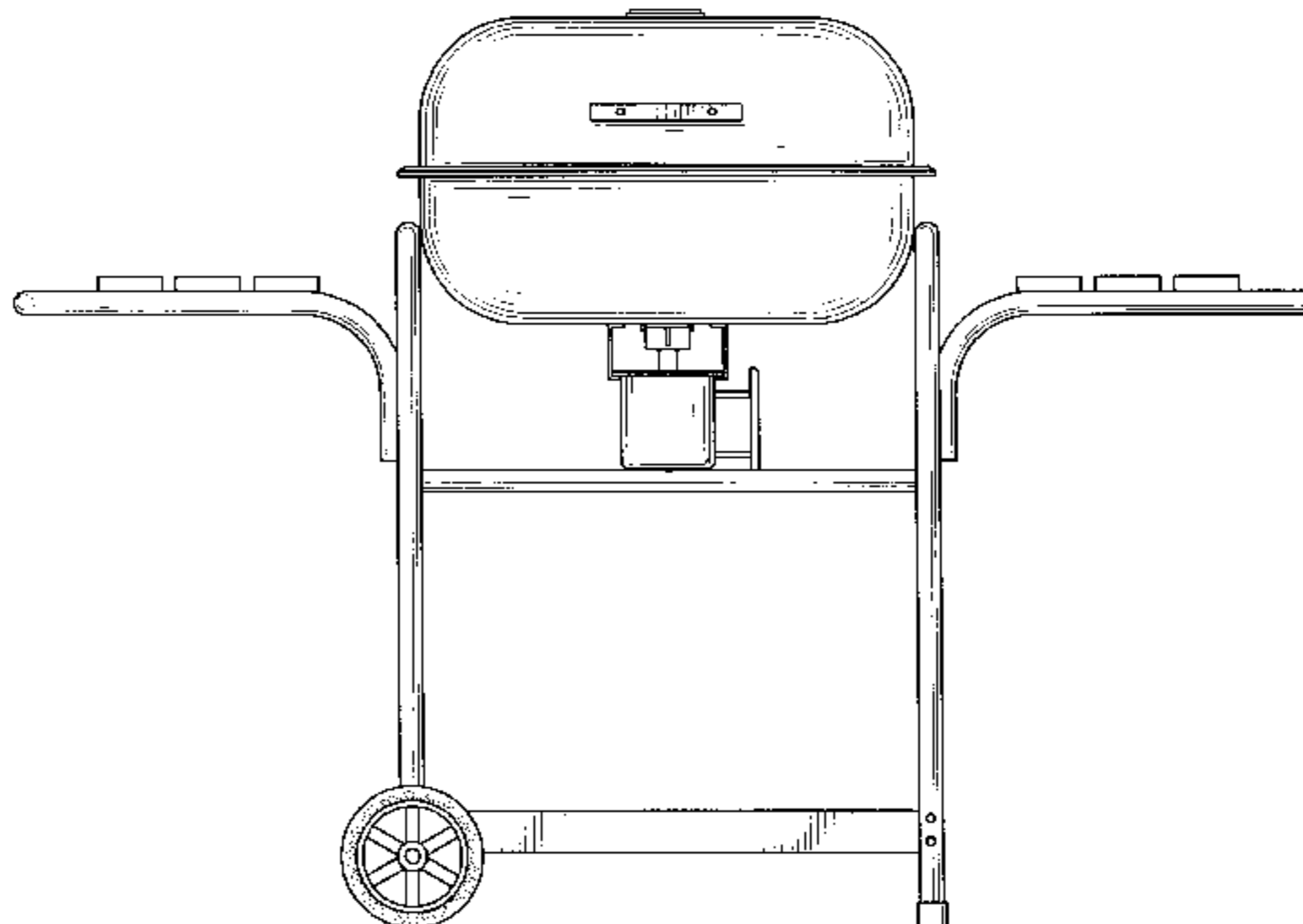
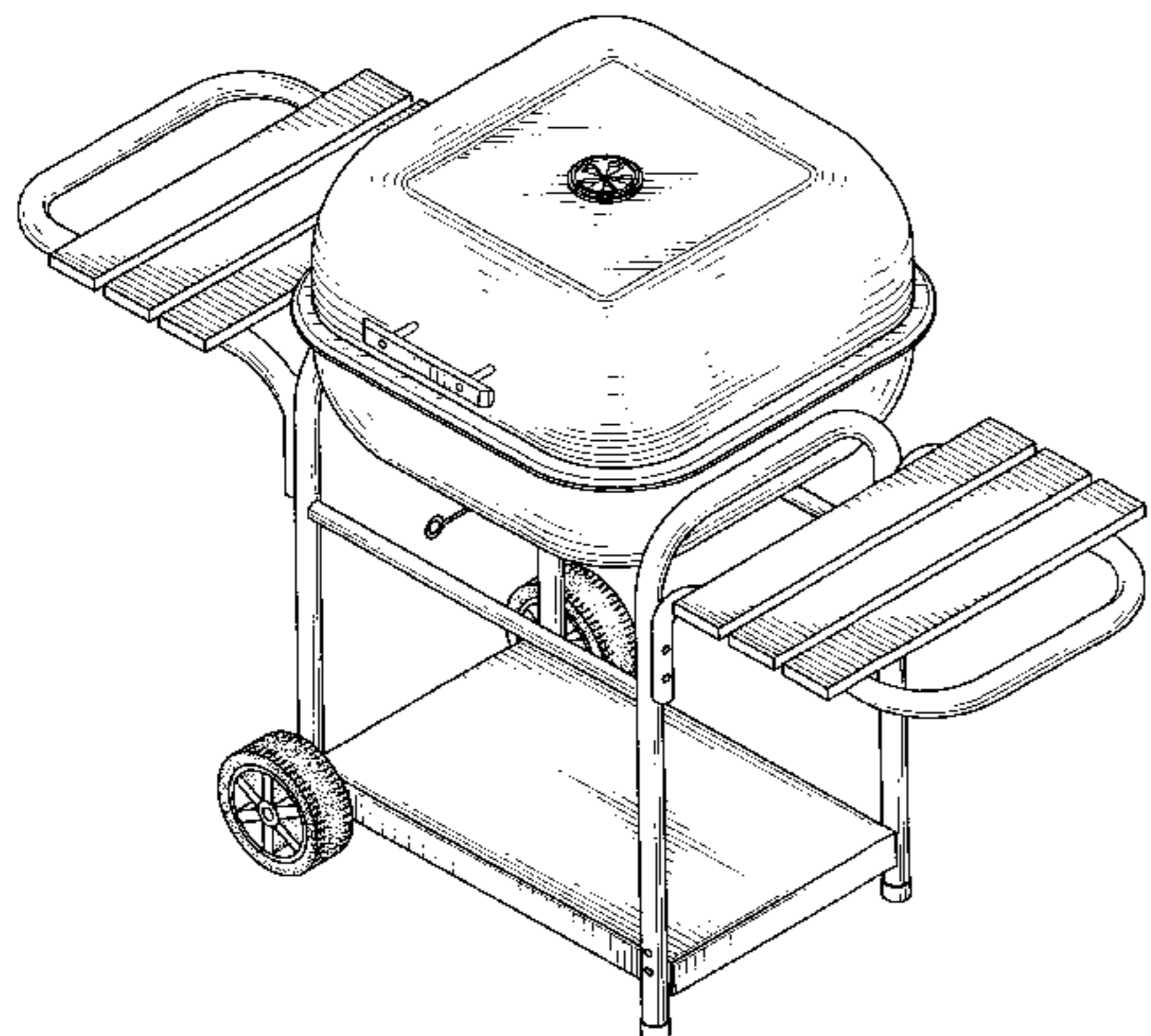
(57) **CLAIM**

The ornamental design for a roaster, as shown.

DESCRIPTION

FIG. 1 is a perspective view of a roaster, showing my new design;
 FIG. 2 is a front elevational view thereof;
 FIG. 3 is a rear elevational view thereof;
 FIG. 4 is a left elevational view thereof;
 FIG. 5 is a right elevational view thereof;
 FIG. 6 is top plan view thereof; and,
 FIG. 7 is a bottom plan view thereof.

1 Claim, 6 Drawing Sheets



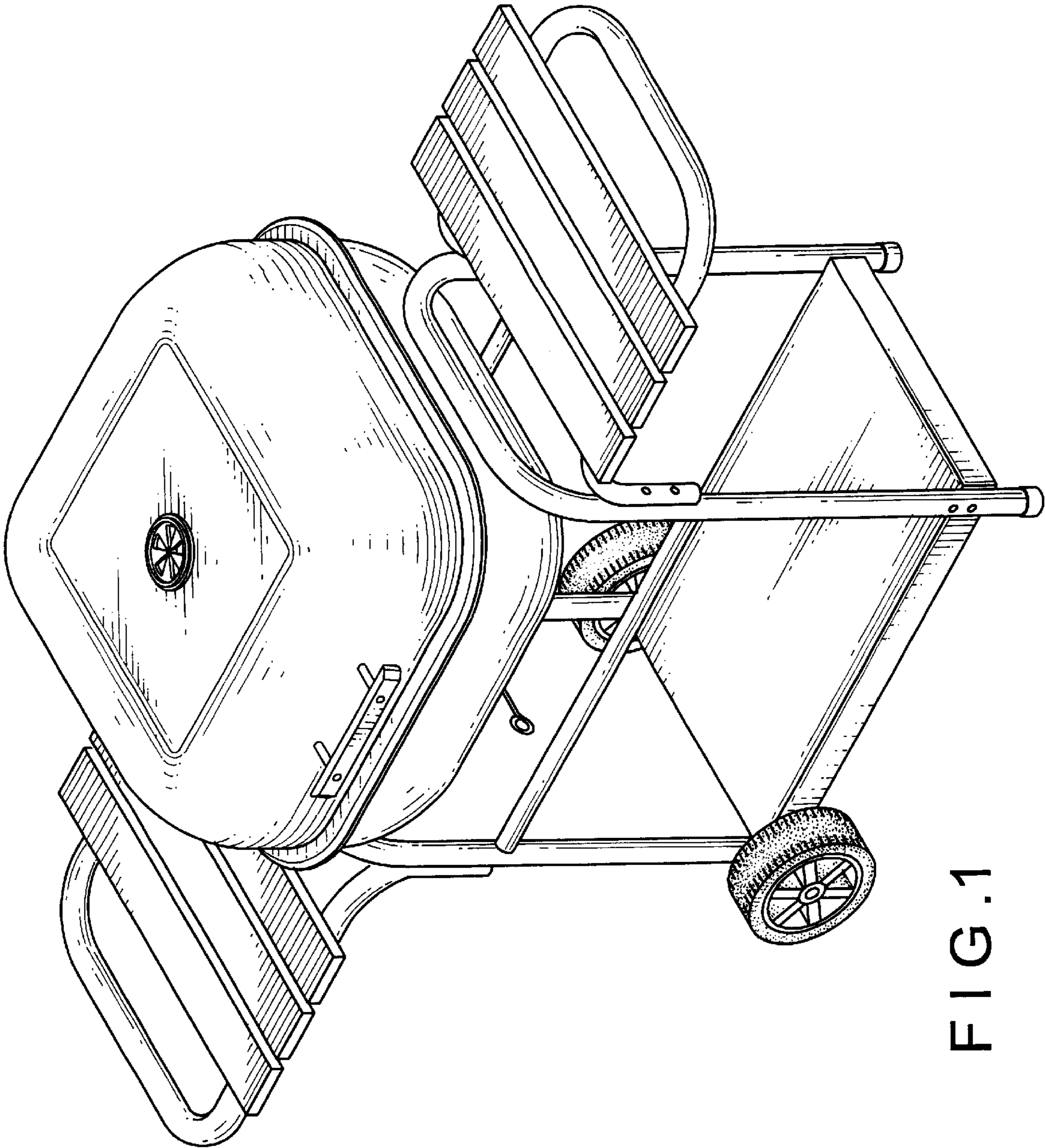


FIG. 1

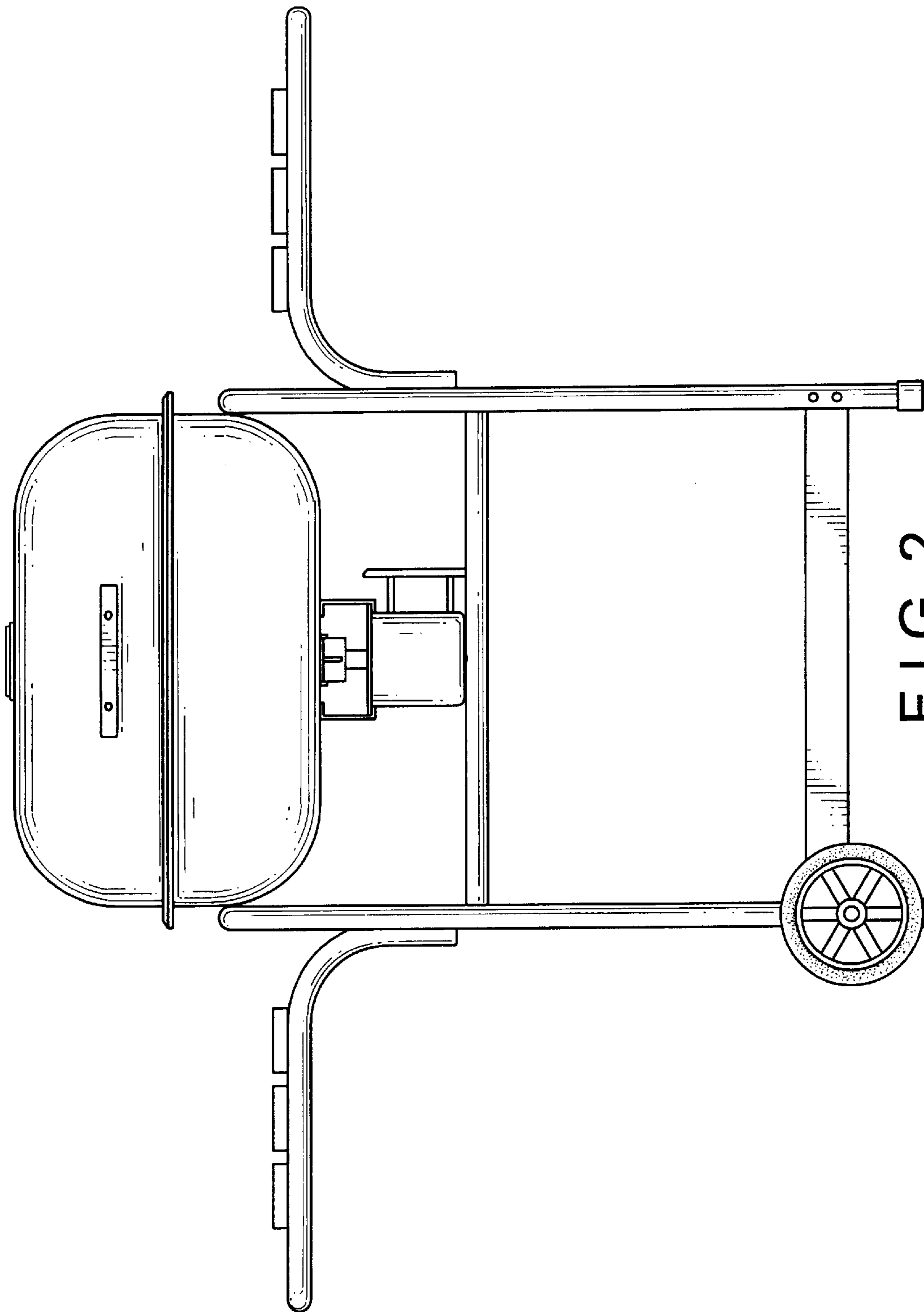


FIG. 2

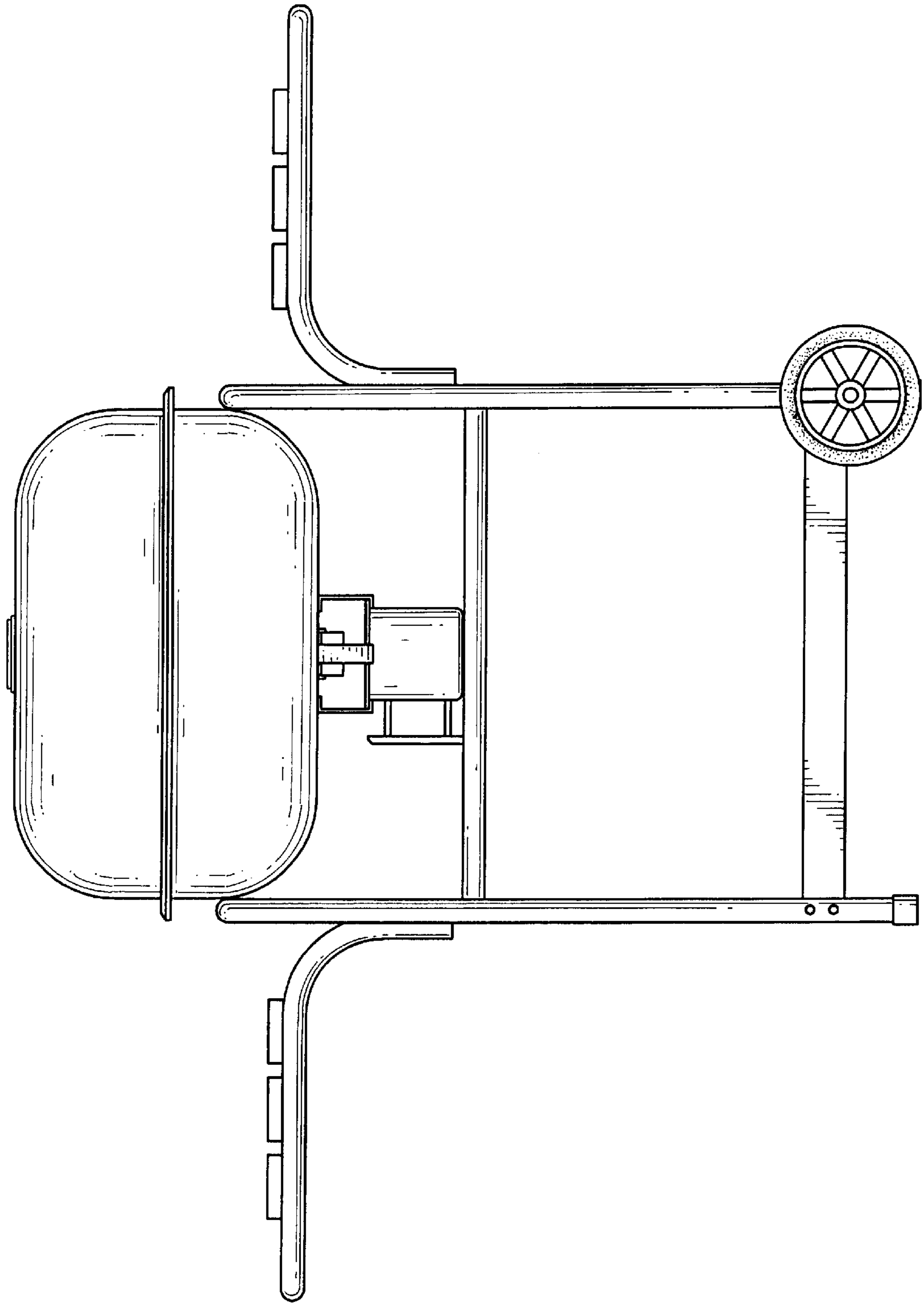


FIG. 3

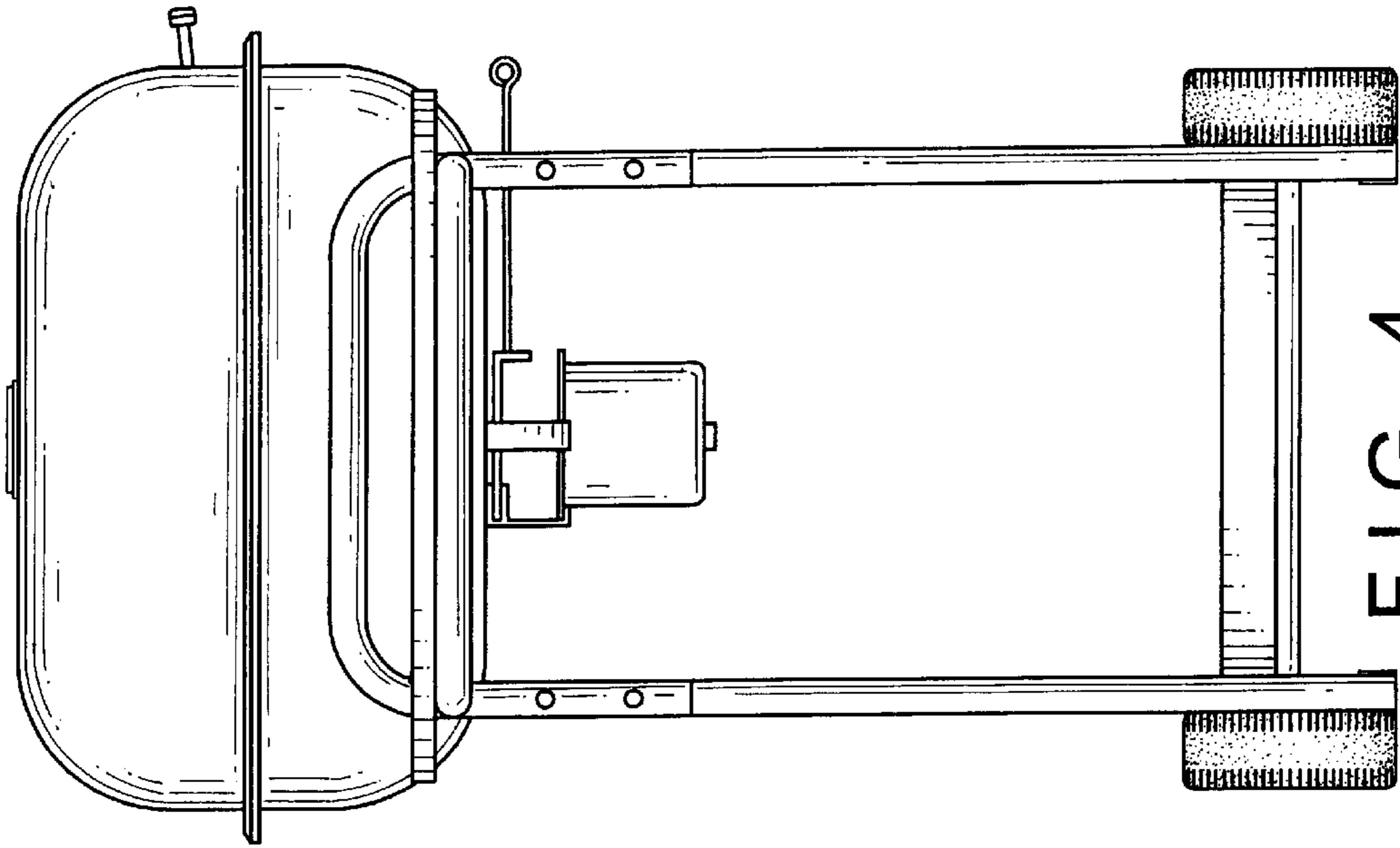


FIG. 4

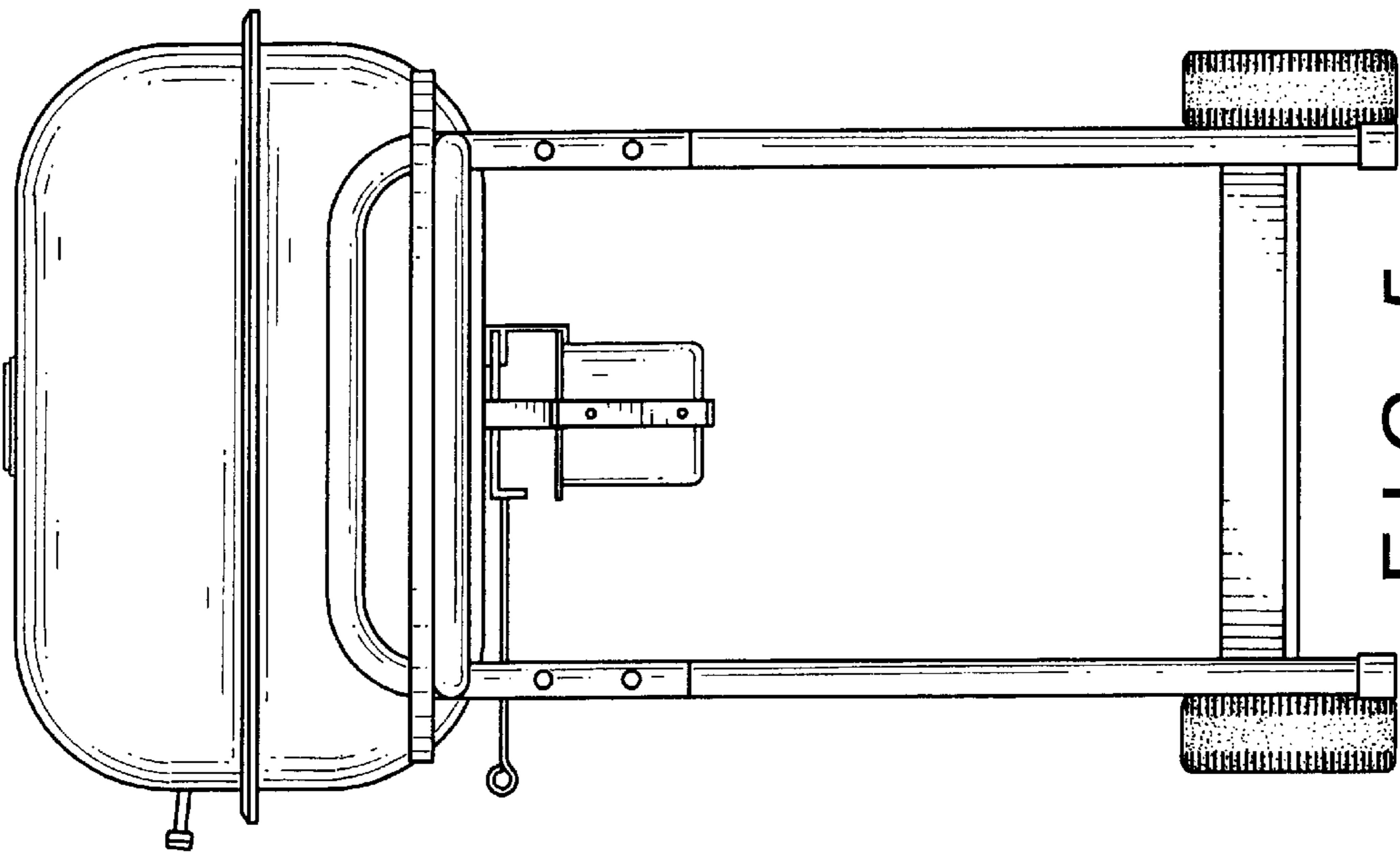


FIG. 5

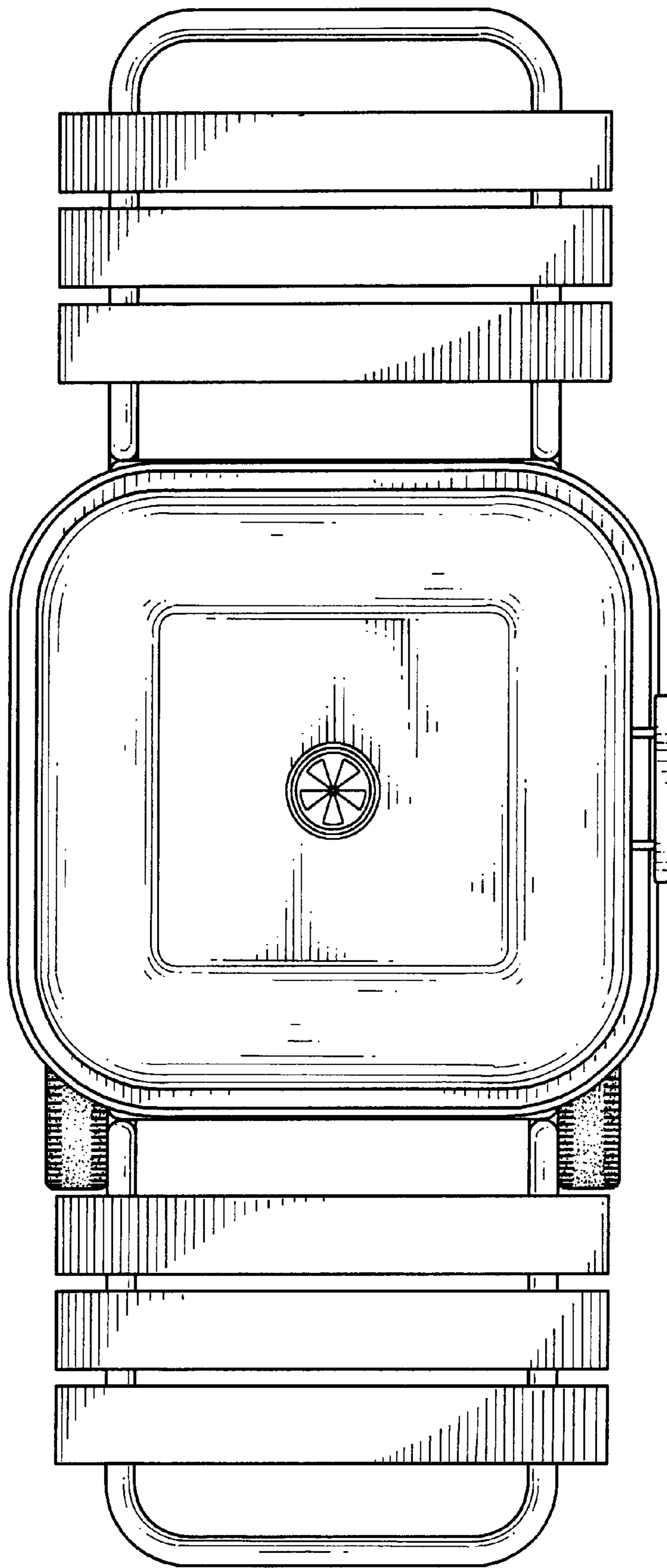


FIG. 6

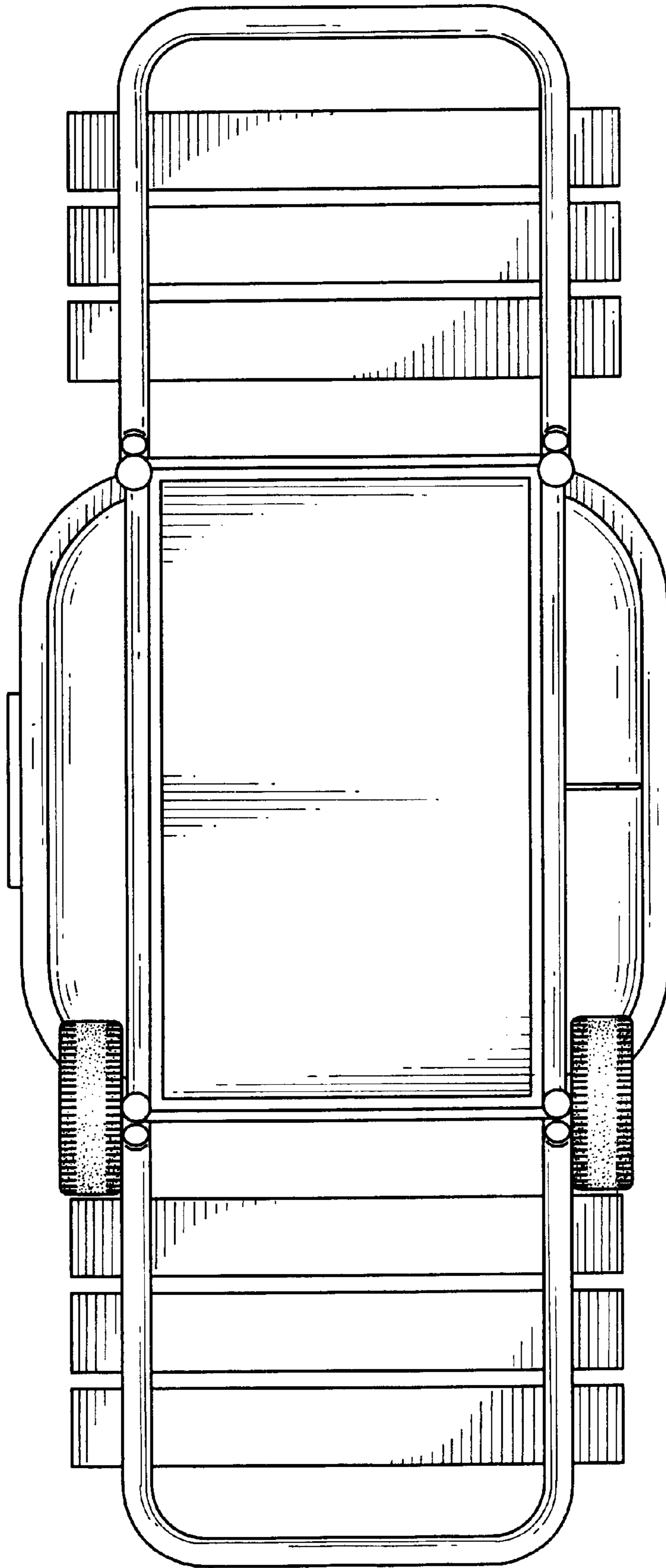


FIG. 7