



US00D480594S

(12) **United States Design Patent** (10) **Patent No.:** **US D480,594 S**
Ancona et al. (45) **Date of Patent:** **** Oct. 14, 2003**

(54) **TOASTER/BREADBOX**
(75) Inventors: **Bruce Ancona**, New York, NY (US);
Robert A. Varakian, Edgewater, NJ (US)

5,878,643 A 3/1999 Hwang
D414,084 S 9/1999 Schmidt
D427,838 S 7/2000 Lee
D428,775 S * 8/2000 Chen D7/609
D442,817 S 5/2001 Demore
D453,281 S 2/2002 Plumtre et al.
D465,690 S * 11/2002 Ancona et al. D7/329

(73) Assignee: **Salton, Inc.**, Lake Forest, IL (US)

(**) Term: **14 Years**

(21) Appl. No.: **29/171,193**

(22) Filed: **Nov. 18, 2002**

FOREIGN PATENT DOCUMENTS

EP 0650686 B1 5/1995
EP 0650686 A1 5/1995
JP 56070217 A 6/1981
JP 56070218 A 6/1981
JP 56071185 A 6/1981

Related U.S. Application Data

(63) Continuation of application No. 29/146,007, filed on Aug. 2, 2001, now Pat. No. Des. 465,690.

(51) **LOC (7) Cl.** **07-02**

(52) **U.S. Cl.** **D7/329**

(58) **Field of Search** D7/328-330, 609;
220/559, 350, 252; 221/192; 99/451, 331,
385, 339, 357

* cited by examiner

Primary Examiner—Caron D. Veynar
(74) *Attorney, Agent, or Firm*—Jean C. Edwards;
Sonnenschein Nath & Rosenthal LLP

(57) **CLAIM**

The ornamental design for a toaster/breadbox, as shown and described.

(56) **References Cited**

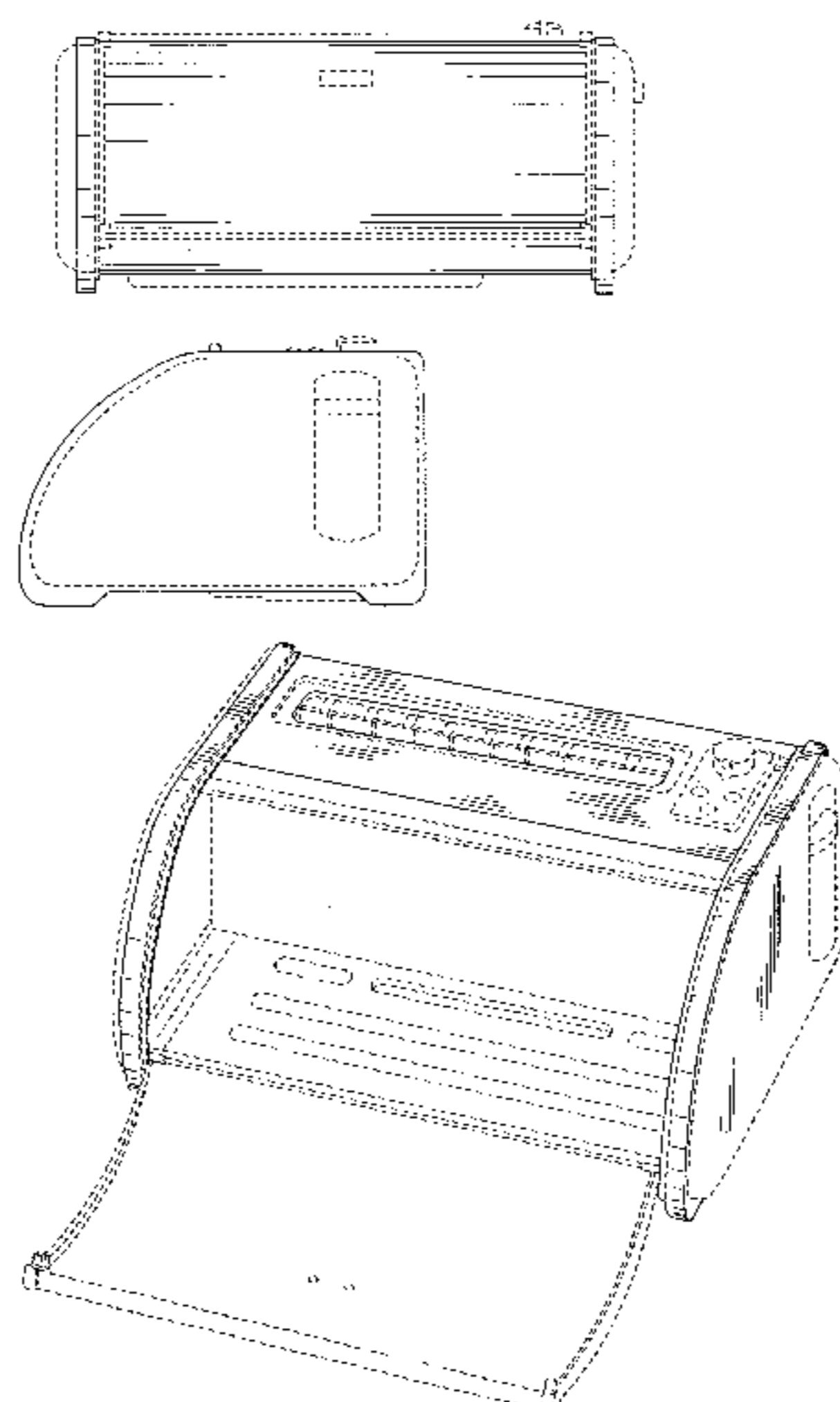
U.S. PATENT DOCUMENTS

D112,252 S 11/1938 Hadley
D143,054 S 11/1945 Walker et al.
D161,771 S * 1/1951 Lumley D7/609
D169,121 S * 3/1953 Burroughs D7/609
2,736,452 A * 2/1956 Roop 220/4.21
4,034,890 A 7/1977 Baller
4,103,805 A 8/1978 Silverstein
4,213,540 A 7/1980 Stanford
4,320,932 A 3/1982 Giffin
D286,126 S 10/1986 Driscoll
D291,644 S 9/1987 Osborn
D339,934 S * 10/1993 Reuter D6/441
D347,762 S 6/1994 Bannigan
D357,611 S 4/1995 Osit
5,433,140 A 7/1995 Ogee
5,485,940 A 1/1996 Hernandez
D371,278 S * 7/1996 Jorgensen D7/609
D383,352 S 9/1997 Powel
5,823,381 A 10/1998 Ashley et al.
D405,320 S 2/1999 Tisdale

DESCRIPTION

FIG. 1 is a front view of the toaster/breadbox of the present invention;
FIG. 2 is a top view of the toaster/breadbox of the present invention.
FIG. 3 is a bottom view of the toaster/breadbox of the present invention.
FIG. 4 is a rear view of the toaster/breadbox of the present invention;
FIG. 5 is a left side view of the toaster/breadbox of the present invention;
FIG. 6 is right side view of the toaster/breadbox of the present invention;
FIG. 7 is a front, perspective view of the toaster/breadbox of the present invention; and,
FIG. 8 is a rear, perspective view of the toaster/breadbox of the present invention.
The broken lines shown in FIGS. 1-8 are for illustrative purposes only and form no part of the claimed design.

1 Claim, 4 Drawing Sheets



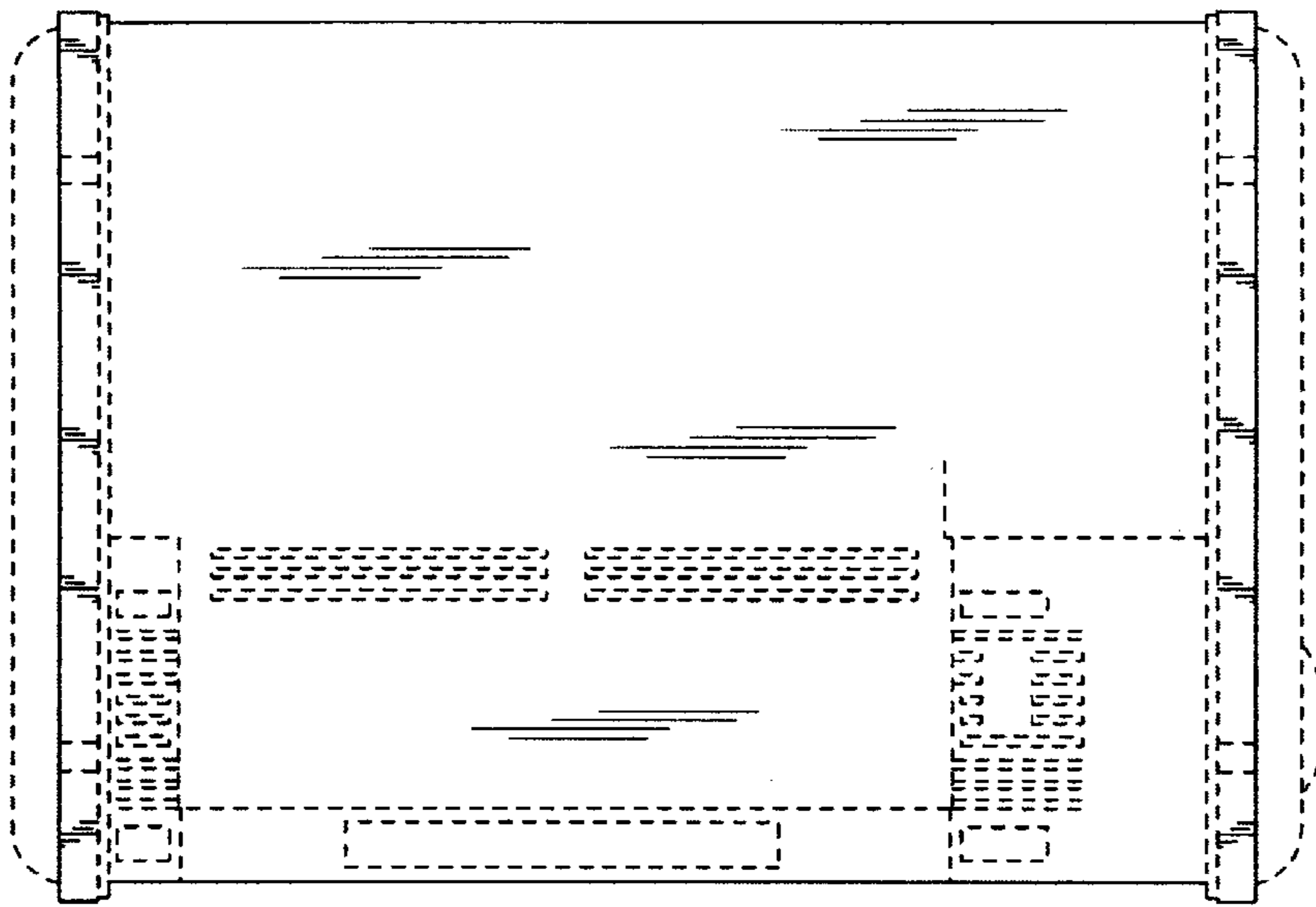


FIG. 3

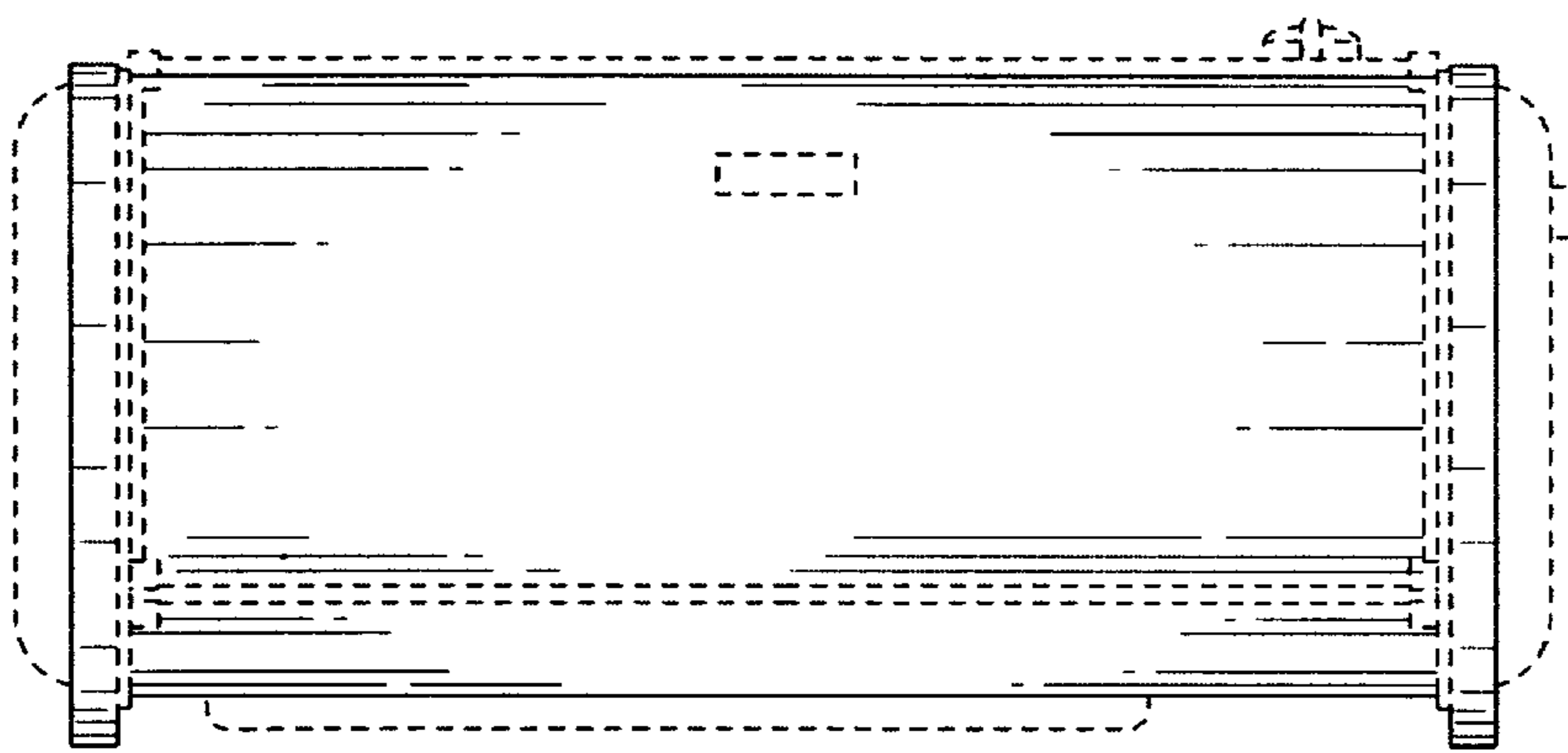


FIG. 1

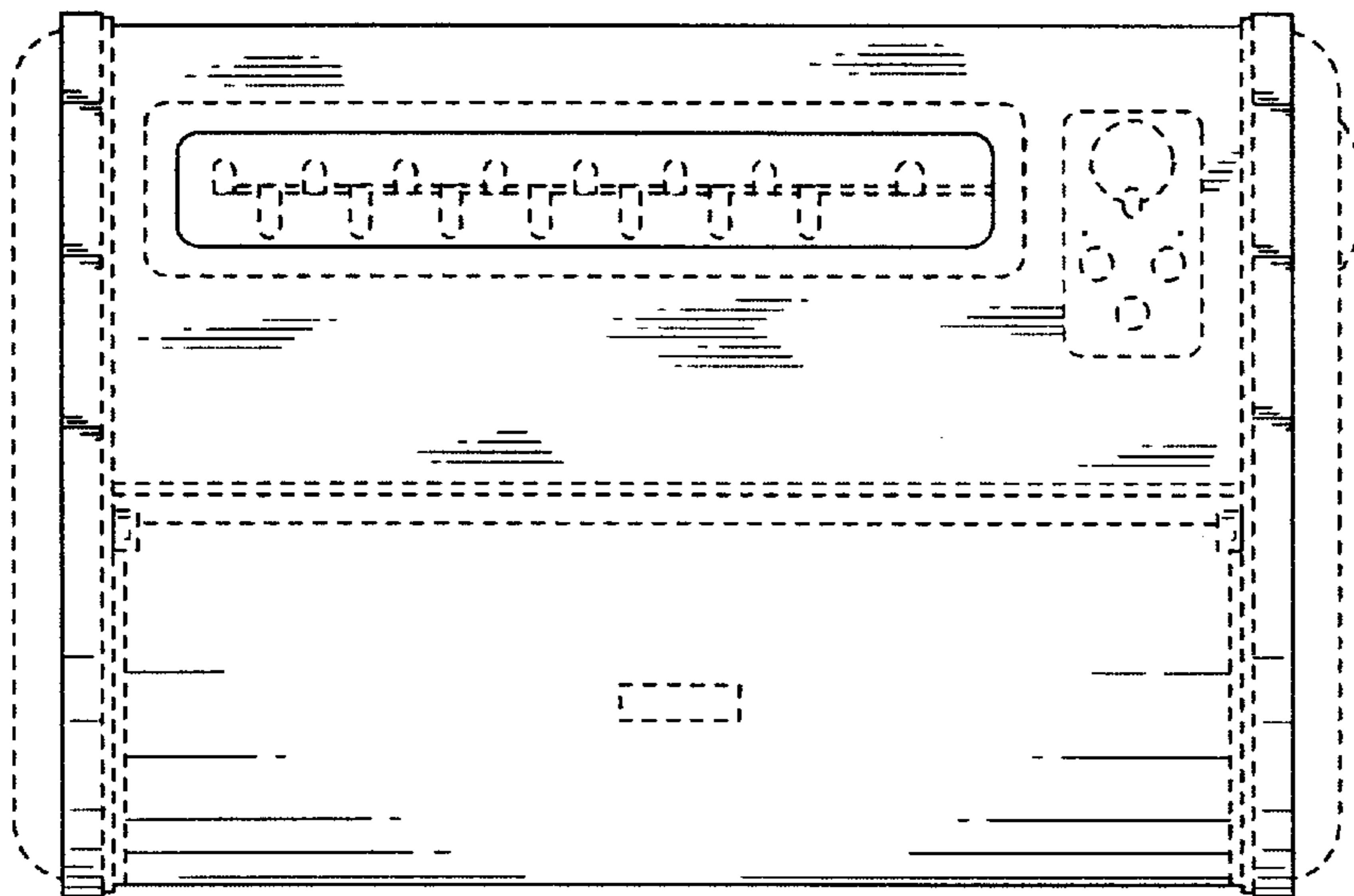


FIG. 2

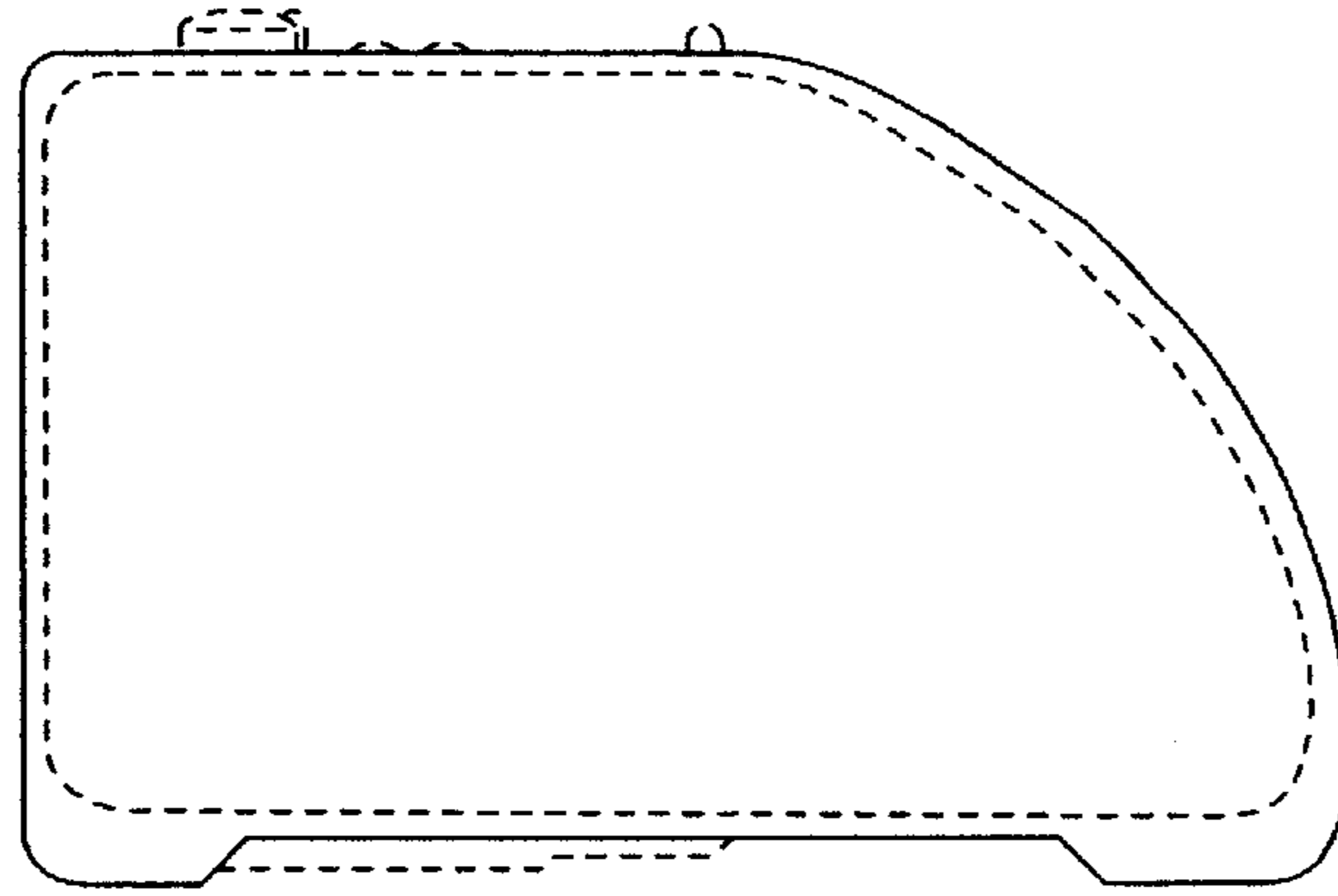


FIG. 5

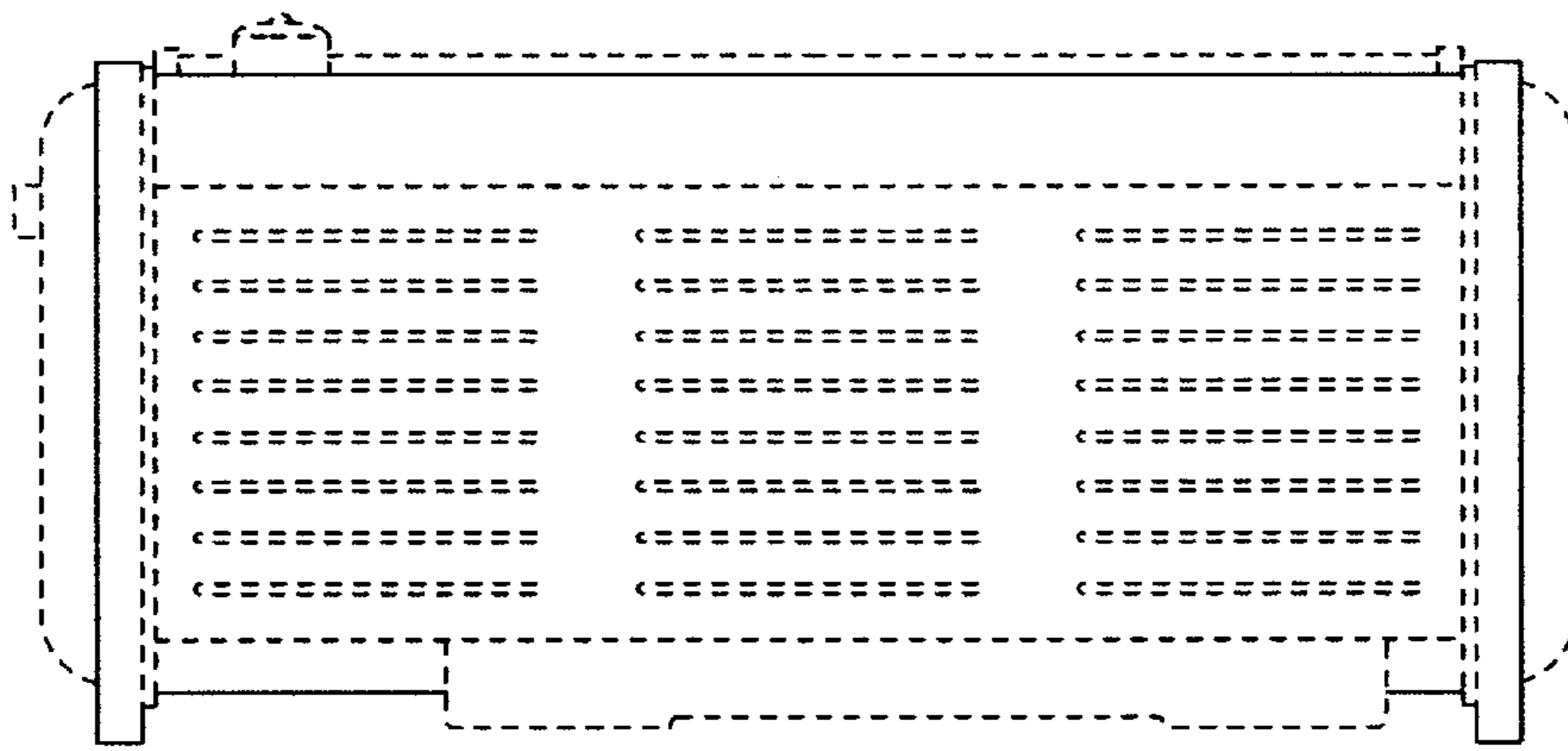


FIG. 4

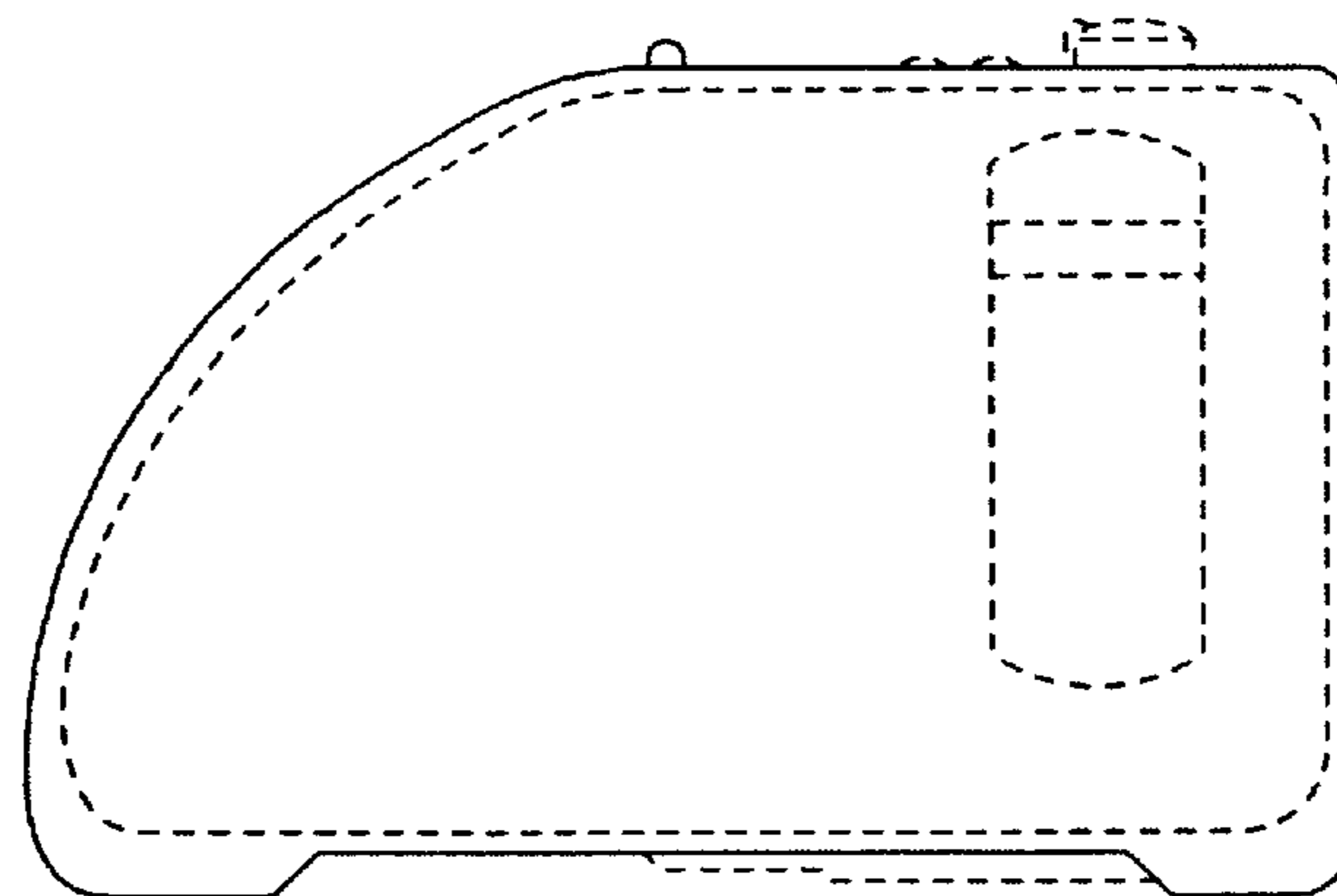


FIG. 6

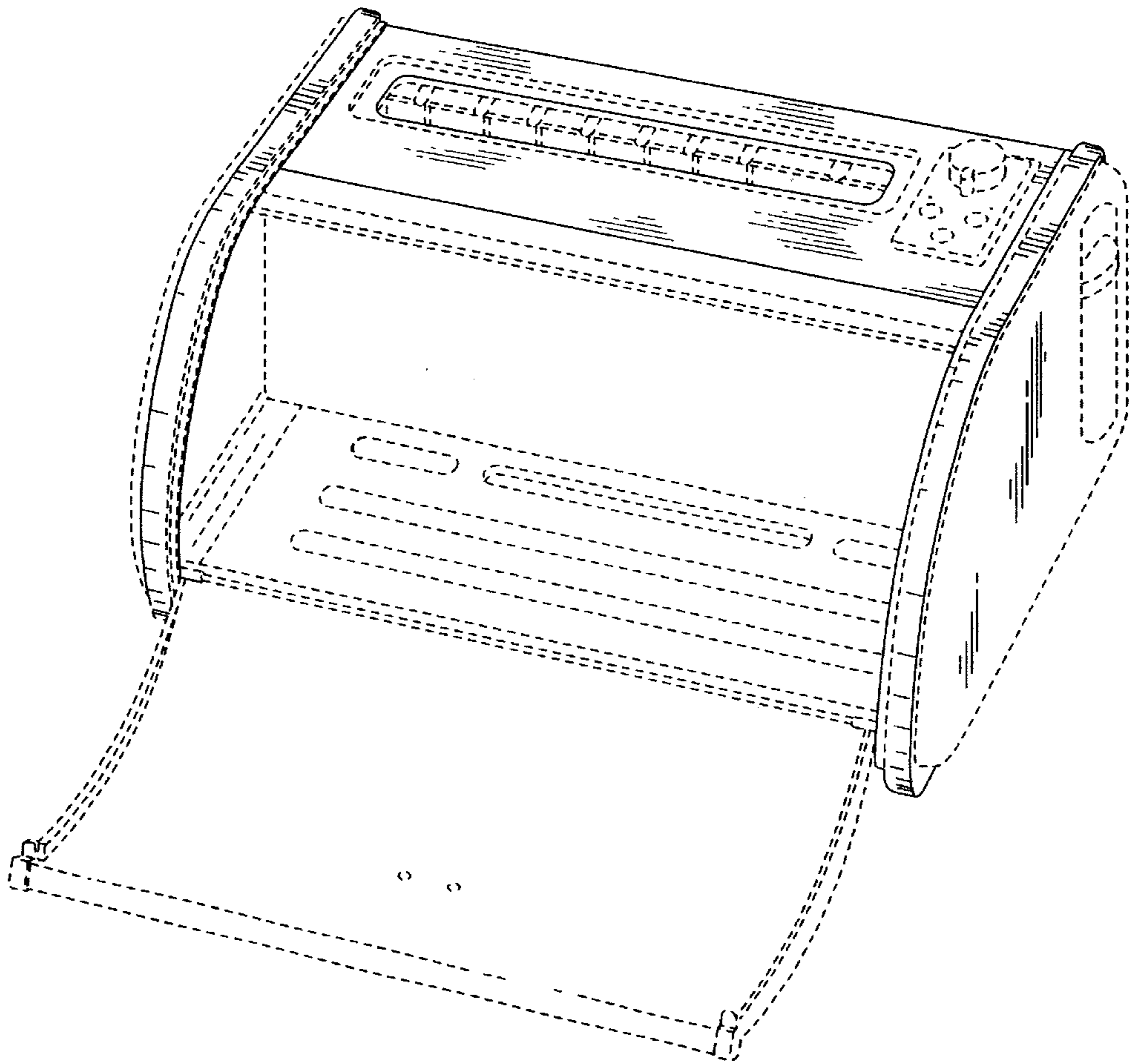


FIG. 7

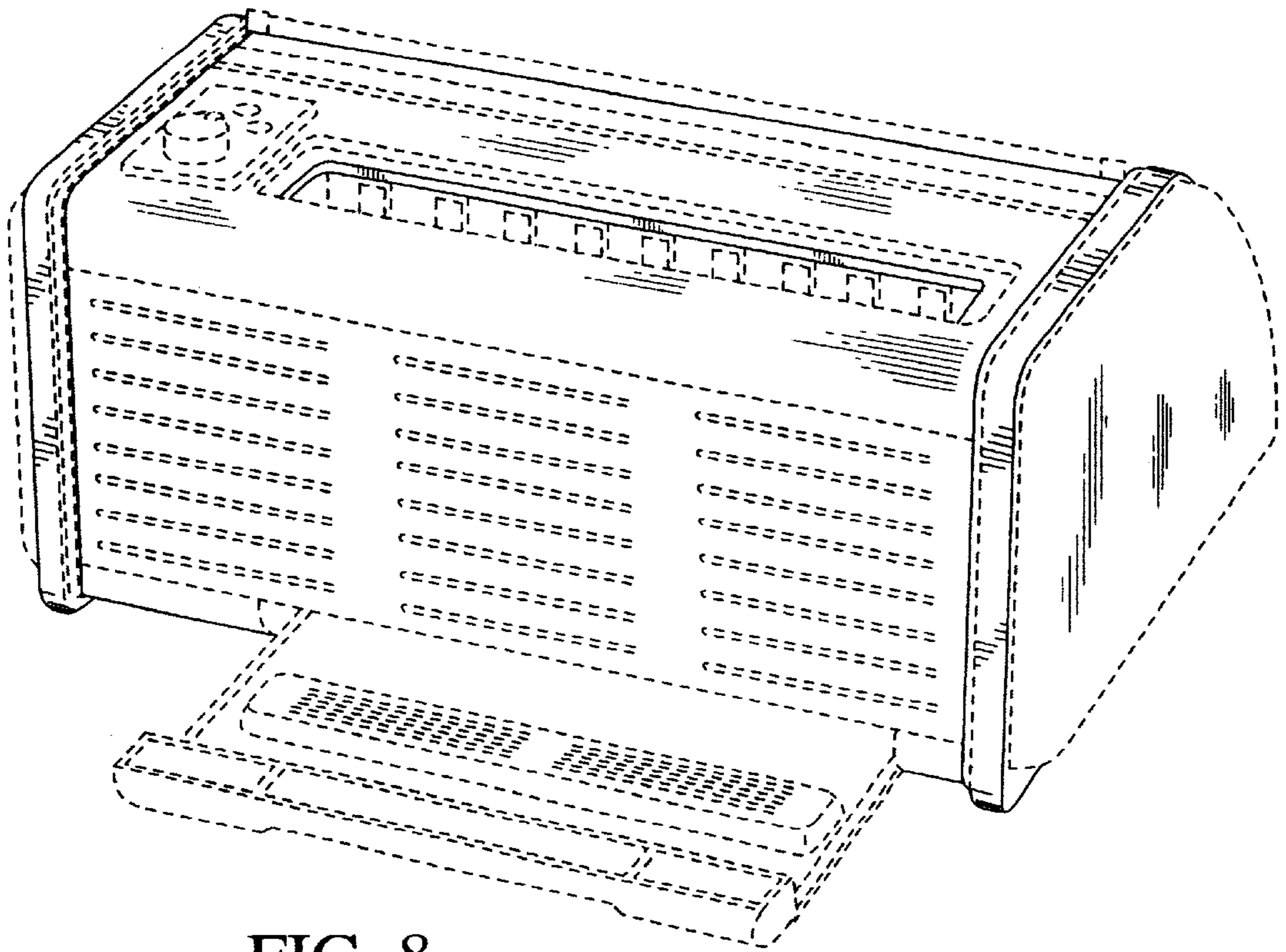


FIG. 8