



US00D480593S

(12) **United States Design Patent**  
**Nybakke**

(10) **Patent No.:** **US D480,593 S**

(45) **Date of Patent:** **\*\* Oct. 14, 2003**

(54) **CARAFE**

(75) **Inventor:** **Keith G. Nybakke**, Minneapolis, MN  
(US)

(73) **Assignee:** **Bunn-O-Matic Corp.**, Springfield, IL  
(US)

(\*\*) **Term:** **14 Years**

(21) **Appl. No.:** **29/159,393**

(22) **Filed:** **Apr. 19, 2002**

(51) **LOC (7) Cl.** ..... **07-01**

(52) **U.S. Cl.** ..... **D7/319; D7/317; D7/322**

(58) **Field of Search** ..... D7/317, 316, 318,  
D7/319, 320, 322, 321, 312, 300, 313,  
600, 310, 309, 311; 99/279, 282, 295, 306,  
285; 215/13.1, 12.1; 222/131, 144; 220/504

(56) **References Cited**

**U.S. PATENT DOCUMENTS**

|             |           |                  |       |        |
|-------------|-----------|------------------|-------|--------|
| D286,848 S  | 11/1986   | Levin            | ..... | D7/309 |
| D290,216 S  | * 6/1987  | Precht           | ..... | D7/309 |
| D299,608 S  | 1/1989    | Knochner         | ..... | D7/309 |
| D302,371 S  | * 7/1989  | Tsuji            | ..... | D7/319 |
| D303,903 S  | * 10/1989 | Yoshiaki et al.  | ..... | D7/309 |
| 4,920,868 A | 5/1990    | Gehrmann         | ..... | 99/279 |
| 4,969,392 A | 11/1990   | Steele et al.    | ..... | 99/282 |
| D313,146 S  | * 12/1990 | Precht           | ..... | D7/309 |
| 4,986,171 A | 1/1991    | Precht           | ..... | 99/279 |
| D314,881 S  | 2/1991    | Wongergem et al. | ..... | D7/309 |
| D318,973 S  | * 8/1991  | Hasslacher       | ..... | D7/308 |
| D326,206 S  | 5/1992    | Rakocy et al.    | ..... | D7/317 |
| D329,160 S  | 9/1992    | Choi             | ..... | D7/309 |
| D336,207 S  | * 6/1993  | Brookshire       | ..... | D7/309 |
| D339,712 S  | * 9/1993  | Bunn et al.      | ..... | D7/318 |
| D339,954 S  | * 10/1993 | Bunn et al.      | ..... | D7/309 |
| D340,833 S  | * 11/1993 | Fresno           | ..... | D7/309 |

|            |           |                   |       |        |
|------------|-----------|-------------------|-------|--------|
| D345,883 S | * 4/1994  | Maass             | ..... | D7/309 |
| D346,525 S | * 5/1994  | Littmann          | ..... | D7/317 |
| D358,736 S | * 5/1995  | Kahlcke           | ..... | D7/309 |
| D359,414 S | * 6/1995  | Kahlcke           | ..... | D7/309 |
| D365,492 S | * 12/1995 | Rorke             | ..... | D7/319 |
| D368,826 S | * 4/1996  | Storsberg         | ..... | D7/309 |
| D371,270 S | * 7/1996  | Bell et al.       | ..... | D7/309 |
| D372,627 S | * 8/1996  | Ireland           | ..... | D7/319 |
| D378,559 S | * 3/1997  | Gudefin           | ..... | D7/309 |
| D454,025 S | * 3/2002  | Kopczewski et al. | ..... | D7/319 |
| D464,522 S | * 10/2002 | OaConnor et al.   | ..... | D7/319 |

\* cited by examiner

*Primary Examiner*—M. N. Pandozzi

(74) *Attorney, Agent, or Firm*—Barnes & Thornburg

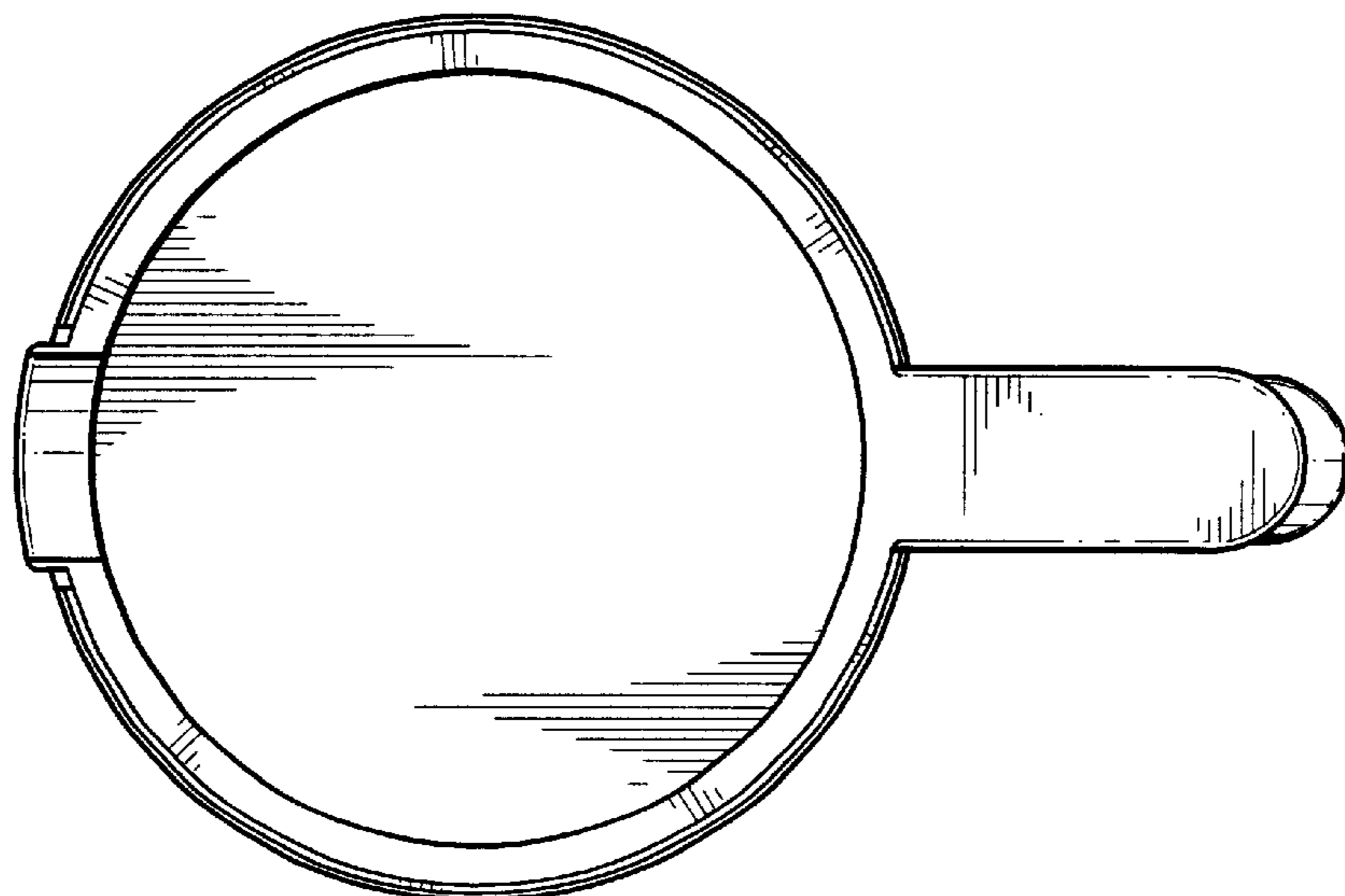
(57) **CLAIM**

We claim the ornamental design for a carafe, as shown and described.

**DESCRIPTION**

FIG. 1 is a perspective view of the carafe;  
 FIG. 2 is a right side elevational view thereof, the left side view is not shown as it is a mirror image of the right side view;  
 FIG. 3 is a rear elevational view thereof;  
 FIG. 4 is a front elevational view thereof;  
 FIG. 5 is a top plan view thereof;  
 FIG. 6 is a bottom plan view thereof;  
 FIG. 7 is a perspective view of a carafe showing a second embodiment of my new design;  
 FIG. 8 is a right side elevational view thereof, the left side view is not shown as it is a mirror image of the right side view;  
 FIG. 9 is a rear elevational view thereof;  
 FIG. 10 is a front elevational view thereof; and,  
 FIG. 11 is a top plan view thereof.

**1 Claim, 6 Drawing Sheets**



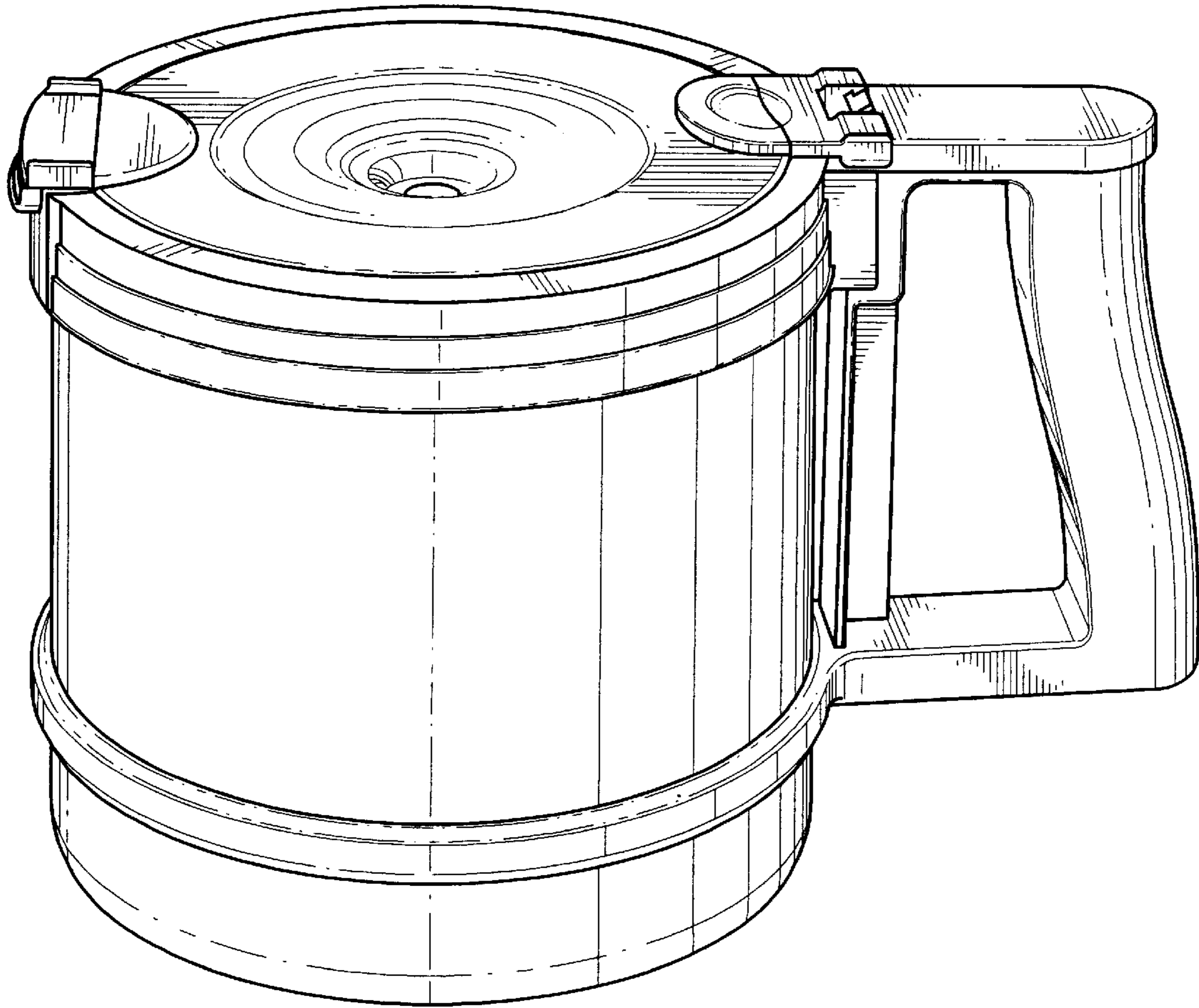


FIG. 1

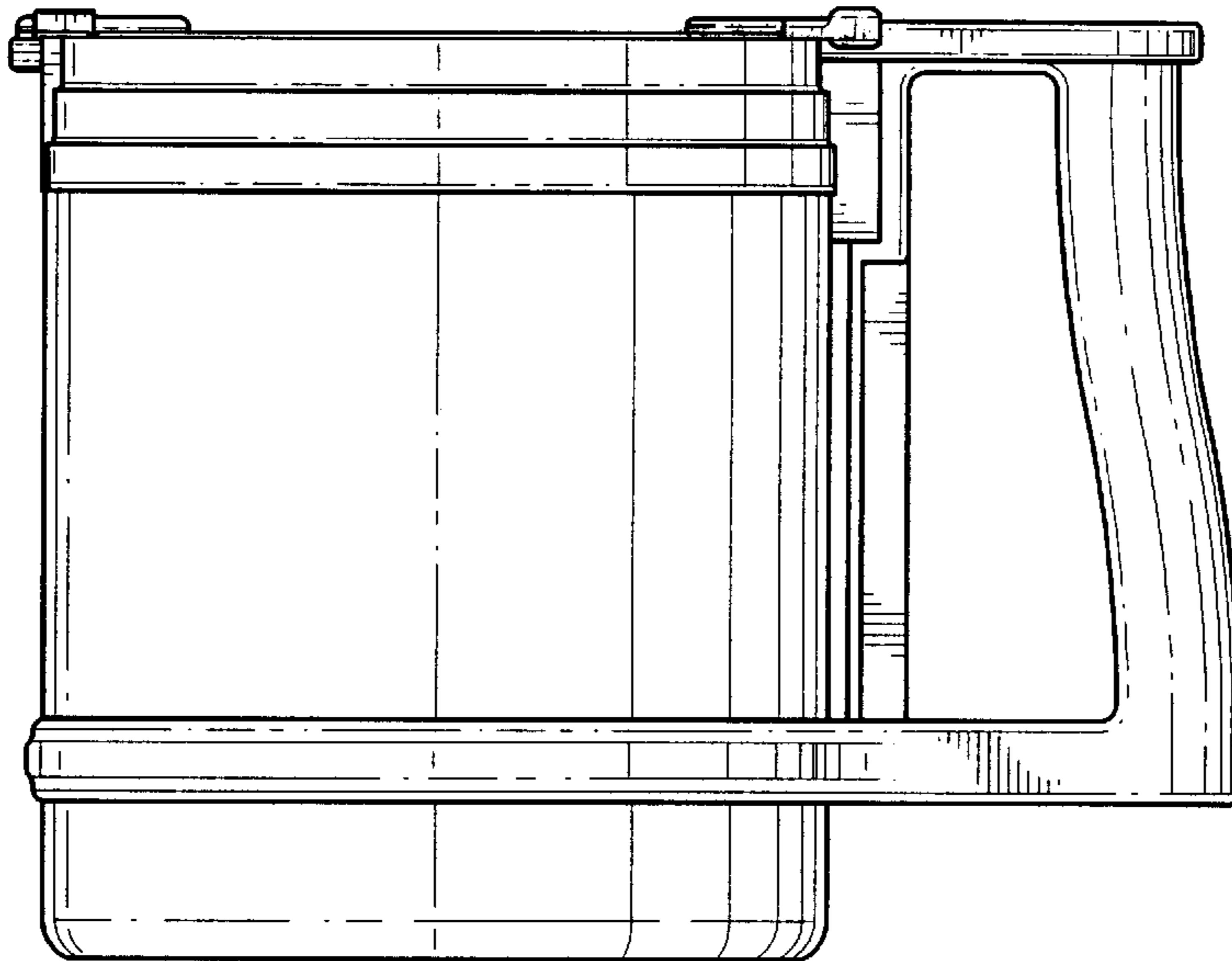


FIG. 2

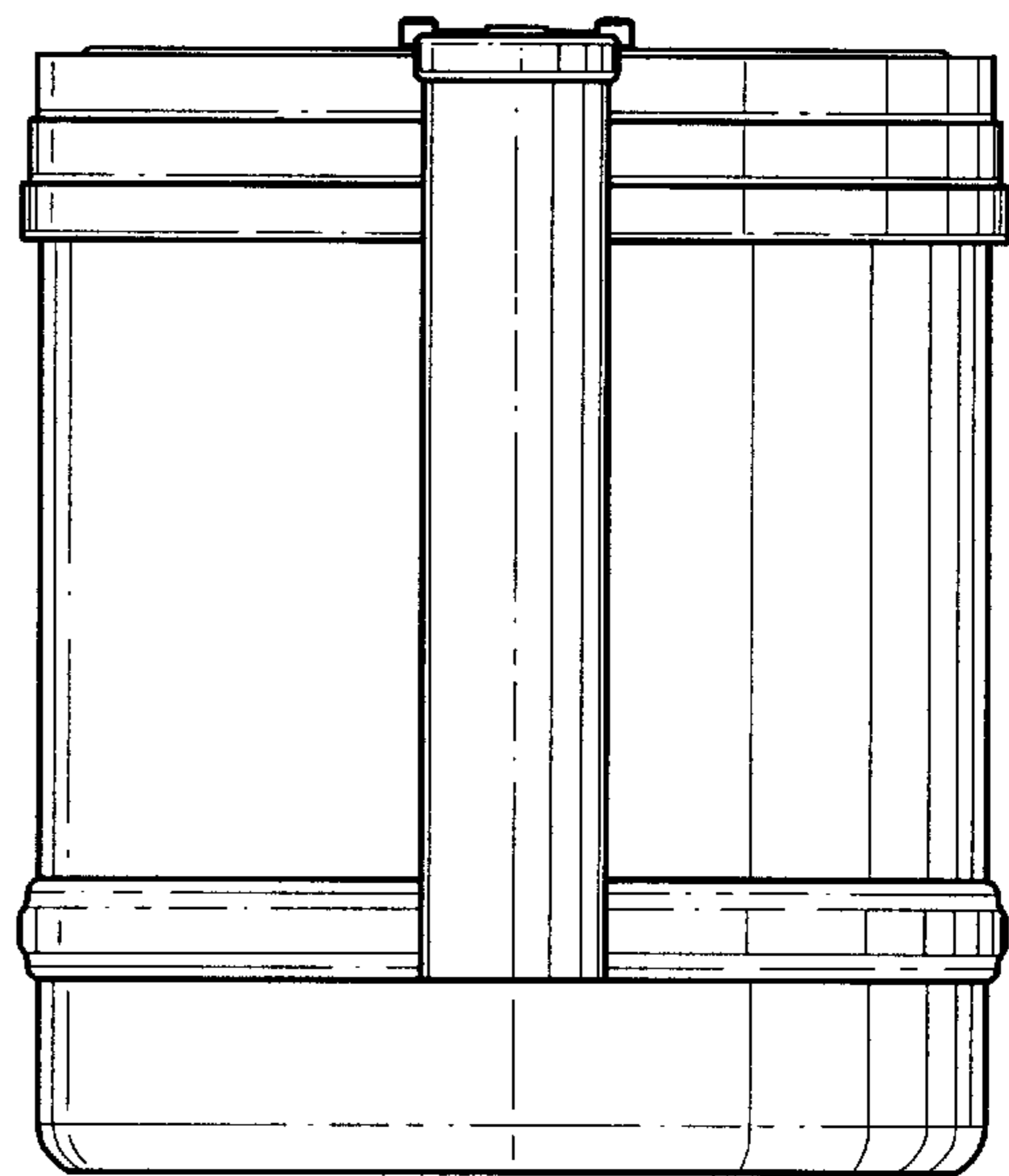


FIG. 3

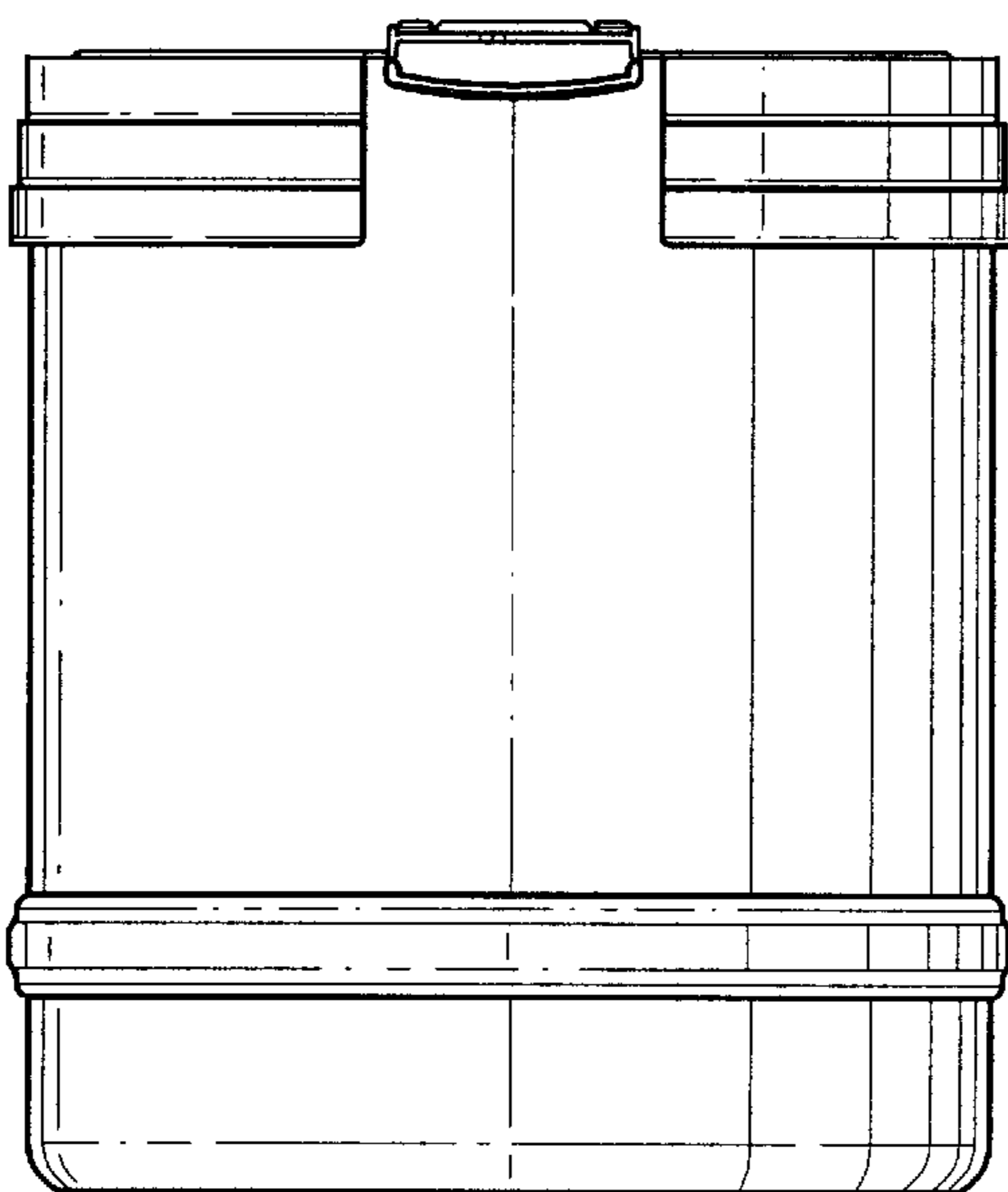


FIG. 4

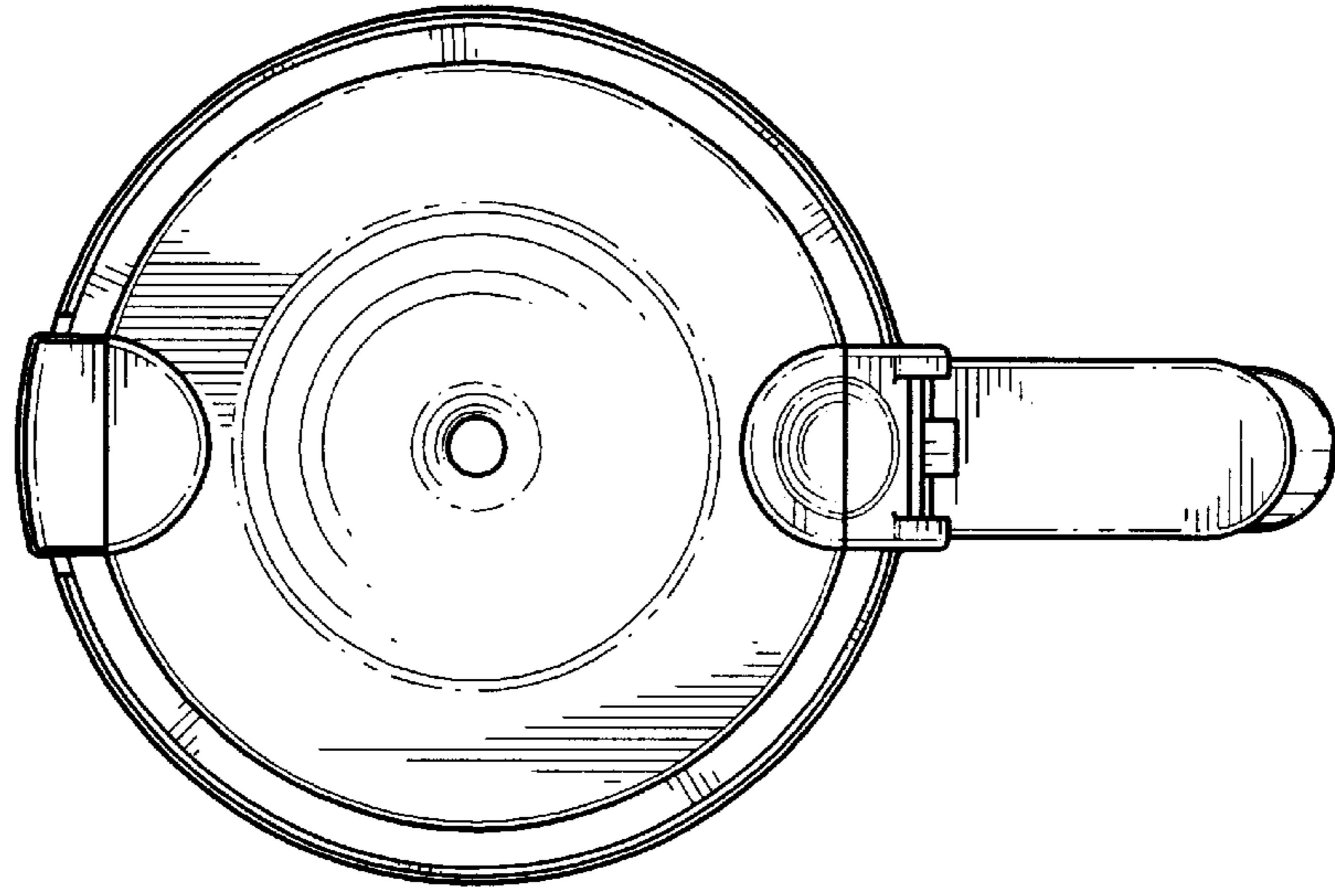


FIG. 5

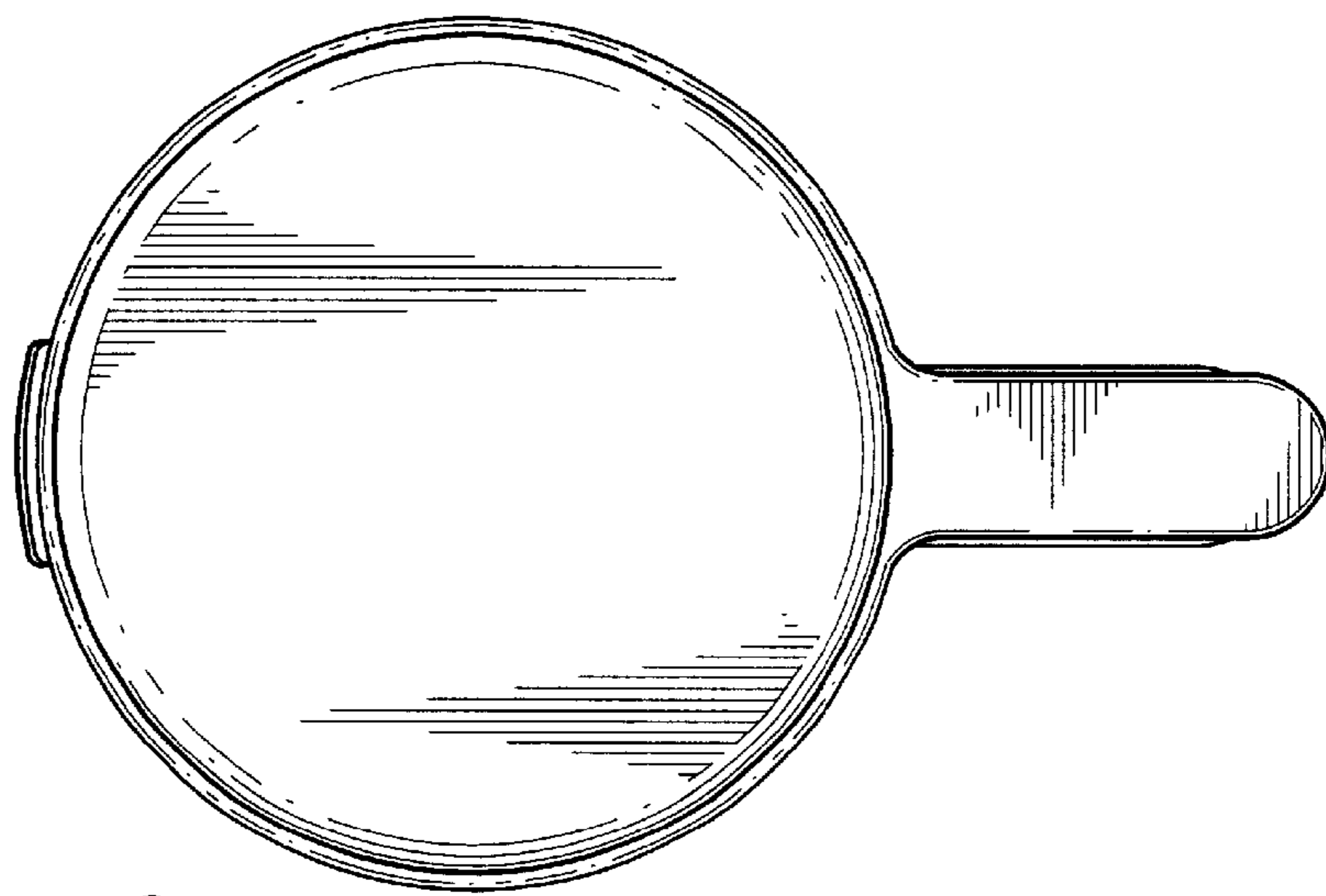


FIG. 6

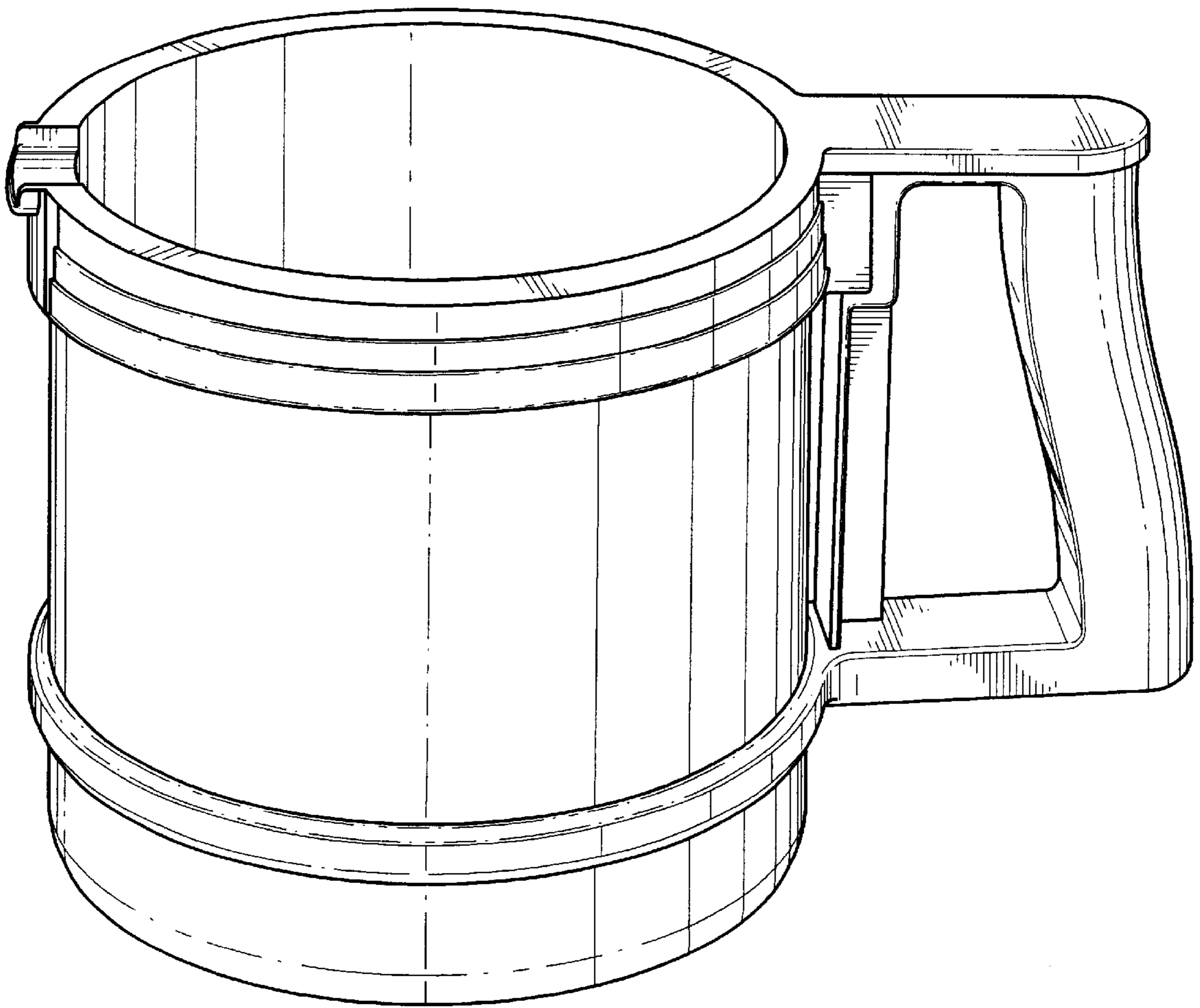


FIG. 7



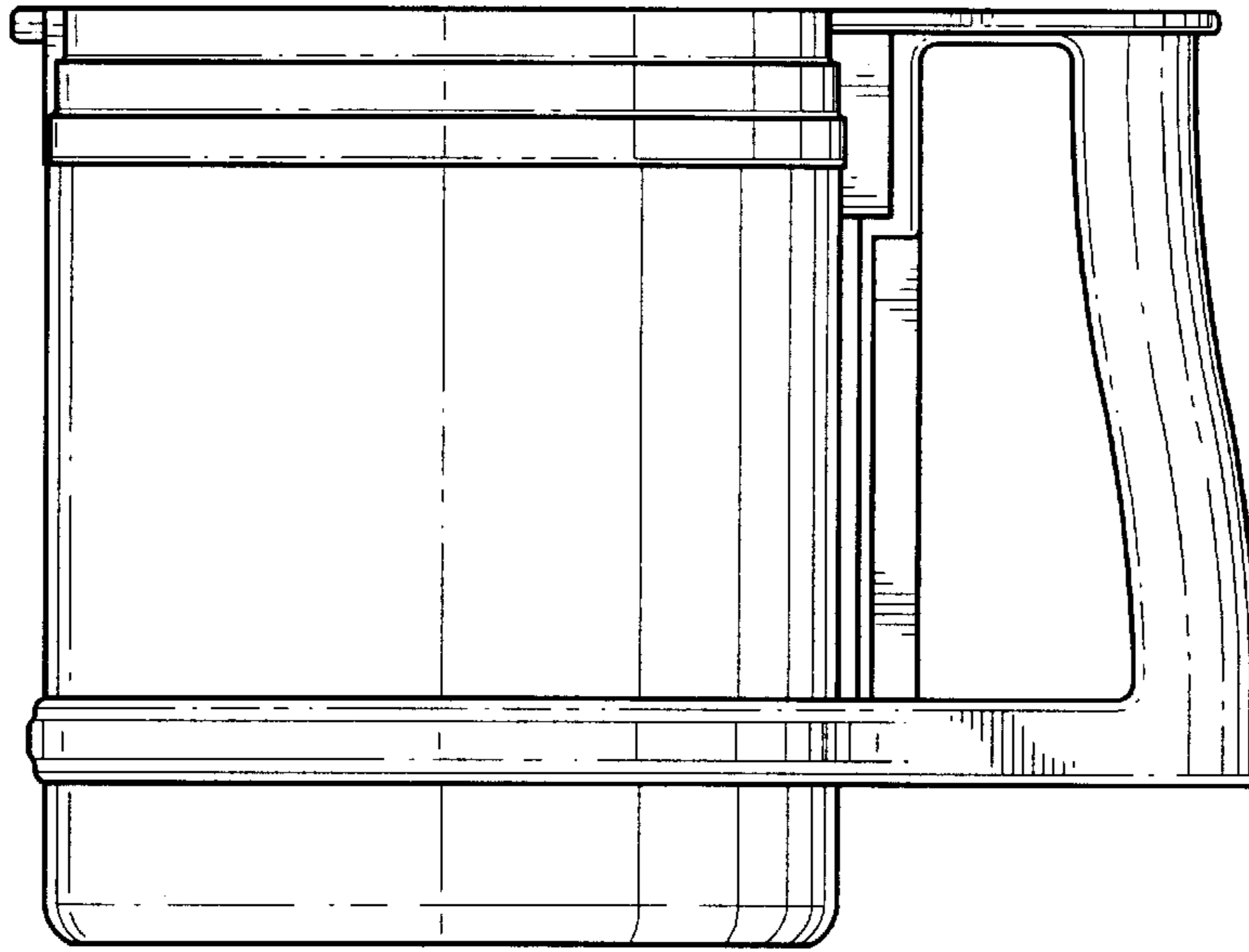


FIG. 8

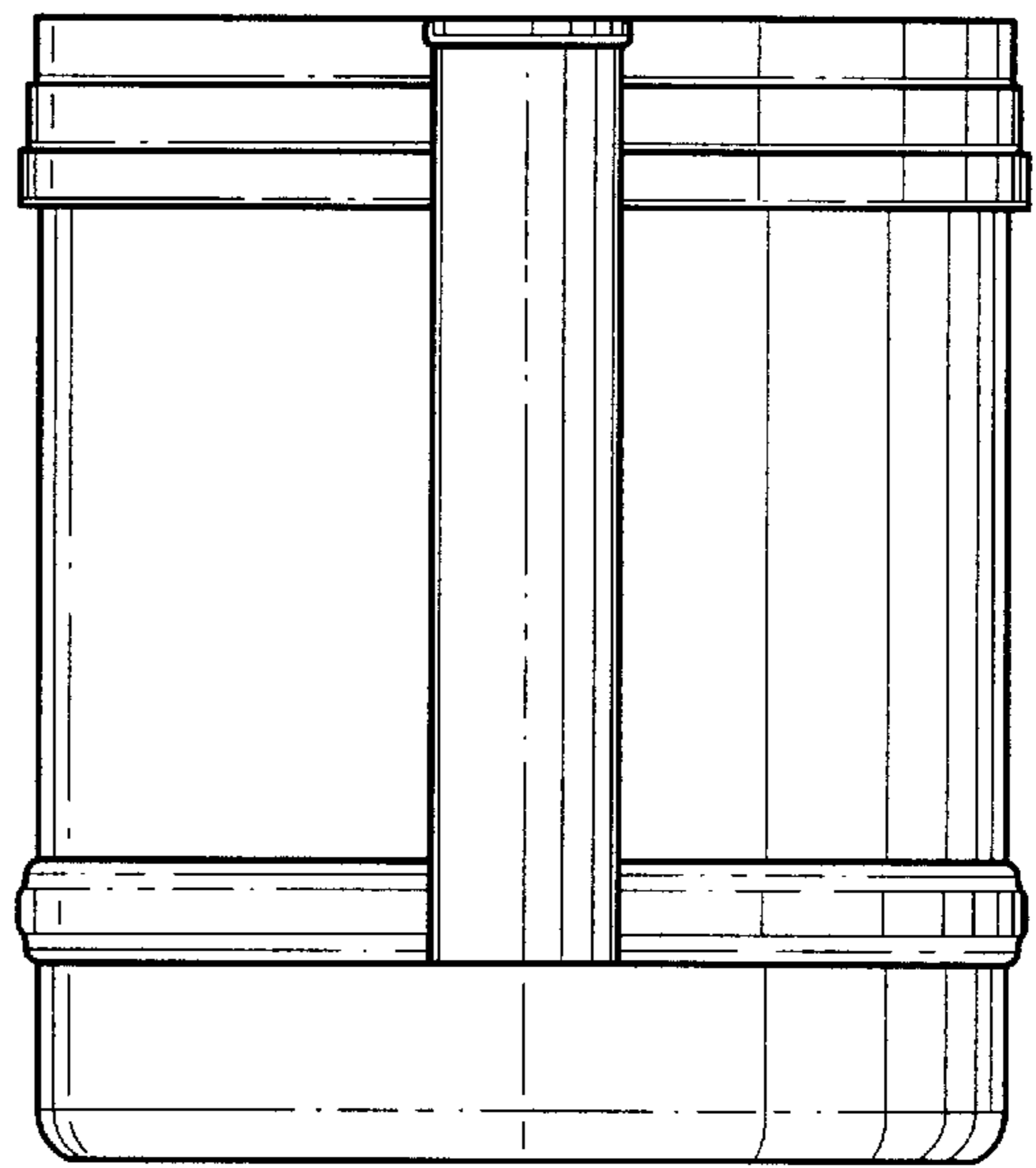


FIG. 9

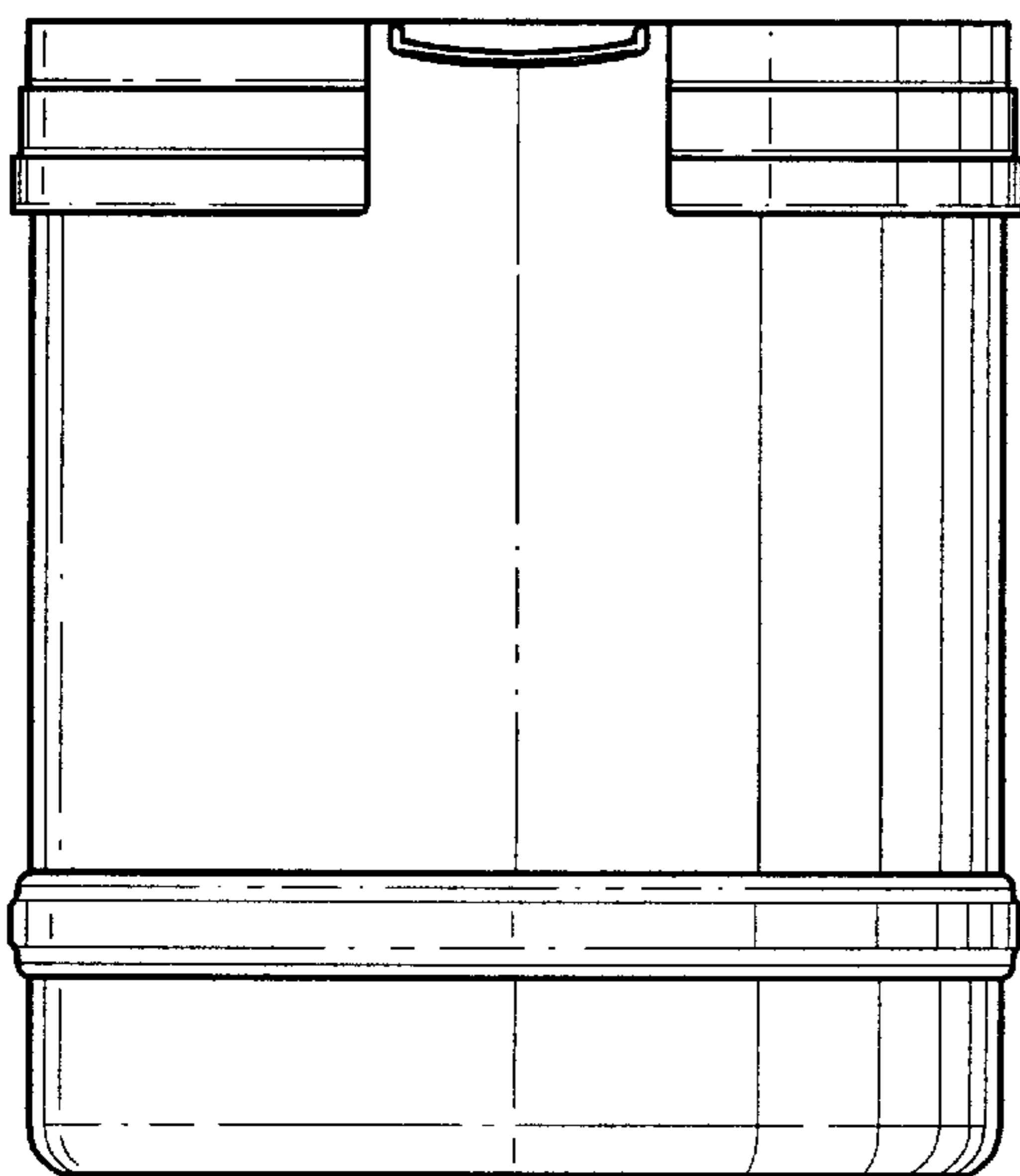
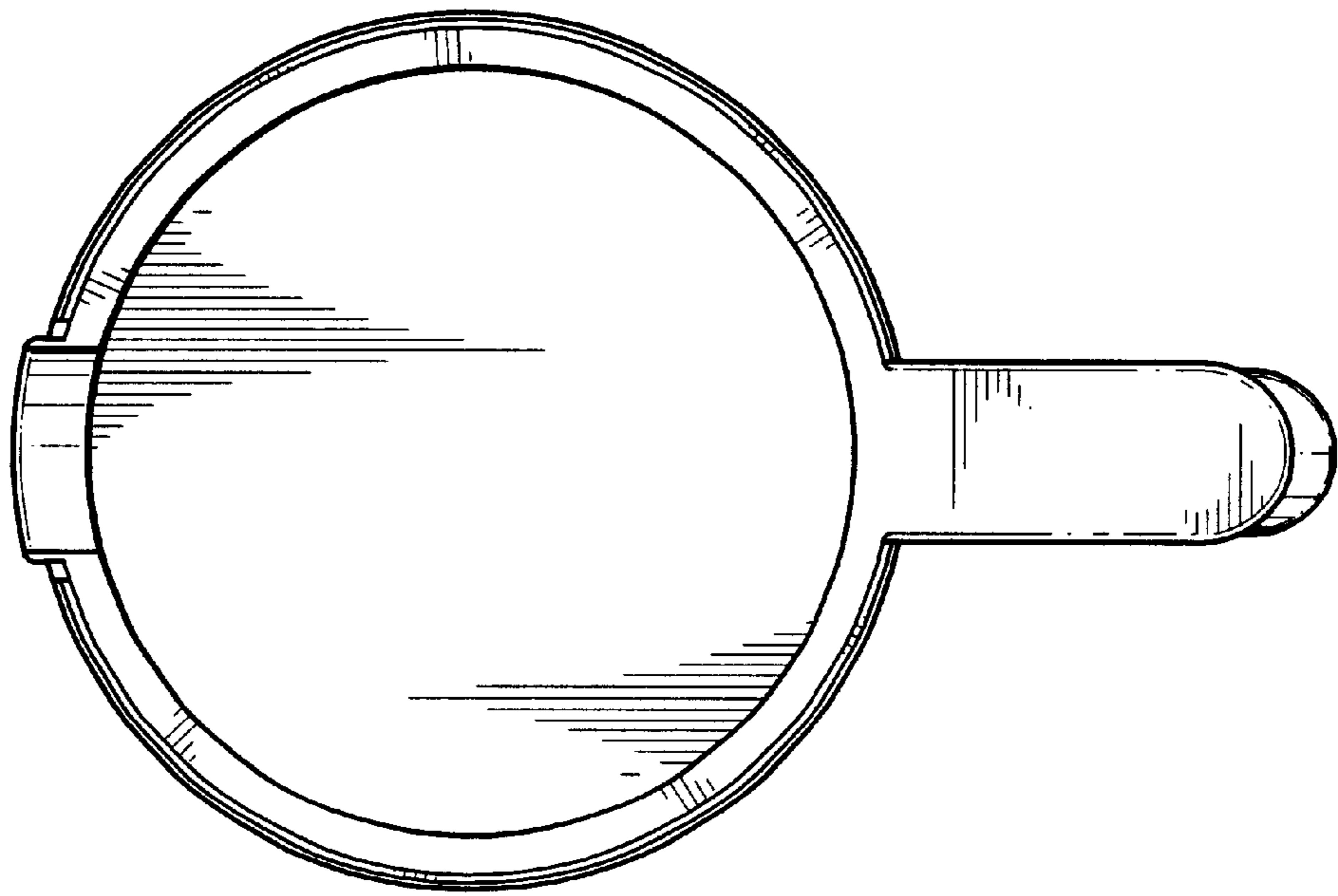


FIG. 10



*FIG. 11*