



US00D480589S

(12) **United States Design Patent**
Wang

(10) **Patent No.:** **US D480,589 S**

(45) **Date of Patent:** **** Oct. 14, 2003**

(54) **CASE FOR DVD-ROM CARD**

(76) **Inventor:** **Kuang Hwa Wang**, 3F,No.17,Alley
99,Long-Shing St., Pan Chiao
City,Taipei Hsien (TW)

(**) **Term:** **14 Years**

(21) **Appl. No.:** **29/157,609**

(22) **Filed:** **Mar. 25, 2002**

(51) **LOC (7) Cl.** **03-01**

(52) **U.S. Cl.** **D6/632; D6/634; D6/635**

(58) **Field of Search** D3/201, 217, 218,
D3/226, 238, 247, 254, 257, 270, 272,
273, 276, 295, 303, 307, 301; D6/407,
408, 475, 626-635; D9/337, 424, 445,
454; 206/18, 307, 307.1, 308.1, 308.2,
308.3, 309-310, 311, 312, 313, 445, 749;
312/902, 9.9, 9.48, 9.55, 9.64, 9.47, 9.53,
328; 379/355; 383/18

(56) **References Cited**

U.S. PATENT DOCUMENTS

5,944,181	A	*	8/1999	Lau	206/308.1
D420,240	S	*	2/2000	Sorenson et al.	D6/632
6,085,900	A	*	7/2000	Wong	206/308.1
D433,266	S	*	11/2000	Peterson et al.	D6/634
D437,520	S	*	2/2001	Choi	D6/632
6,237,763	B1	*	5/2001	Lau	206/308.1
6,276,524	B1	*	8/2001	Cerda-Vilaplana et al.	206/ 308.1
D451,747	S	*	12/2001	Tang	D6/632
6,398,022	B1	*	6/2002	Mou et al.	206/308.1
6,415,918	B1	*	7/2002	Wong et al.	206/308.2
6,419,084	B1	*	7/2002	Sandor	206/308.1
6,443,299	B2	*	9/2002	Kuremoto et al.	206/308.1
6,464,073	B1	*	10/2002	Tang	206/310

D465,960	S	*	11/2002	Yau	D6/632
6,478,150	B1	*	11/2002	Solling	206/308.1
6,523,685	B1	*	2/2003	Rufo, Jr. et al.	206/310
6,547,067	B1	*	4/2003	Liu	206/308.1
2002/0053526	A1	*	5/2002	Peterson	206/308.1
2002/0175097	A1	*	11/2002	Hai	206/310
2003/0070946	A1	*	4/2003	Liu	206/310

* cited by examiner

Primary Examiner—Celia Murphy
(74) *Attorney, Agent, or Firm*—Dennison, Schultz & Dougherty

(57) **CLAIM**

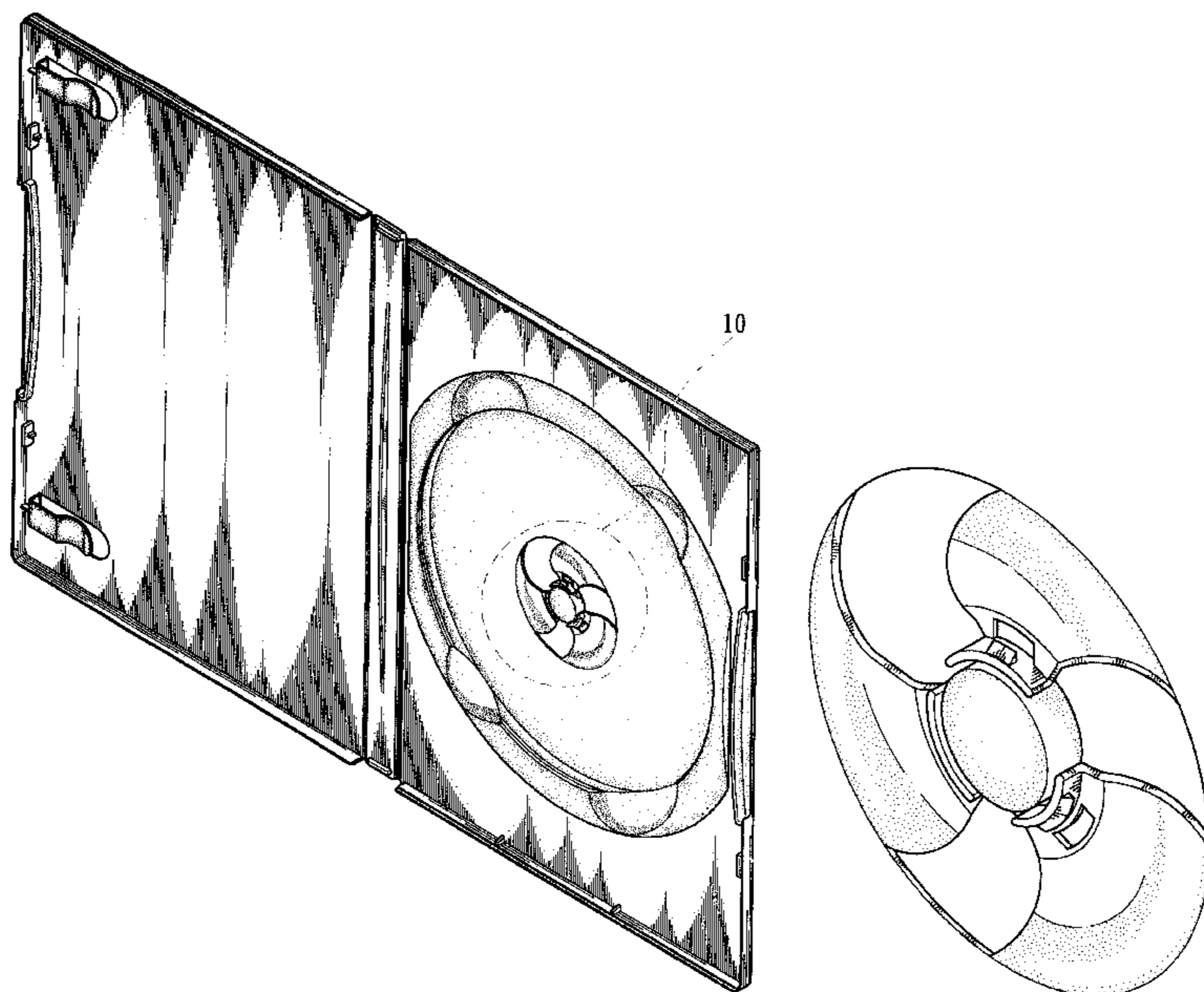
The ornamental design for a case for DVD-ROM card, as shown and described.

DESCRIPTION

FIG. 1 is a perspective view of a case for DVD-ROM card showing my new design;
 FIG. 2 is a left side elevational view thereof;
 FIG. 3 is a top plan view thereof;
 FIG. 4 is a front elevational view thereof;
 FIG. 5 is a bottom plan view thereof;
 FIG. 6 is a right side elevational view thereof;
 FIG. 7 is a rear elevational view thereof;
 FIG. 8 is a perspective view thereof, shown in a closed position;
 FIG. 9 is an enlarged cross-sectional view taken on line 9—9 of FIG. 4; and,
 FIG. 10 is an enlarged fragmentary view showing the central hub in area 10 of FIG. 1.

The design is directed to the case for DVD-ROM card shown in FIGS. 1–8. The central hub is shown separately in FIGS. 9 & 10 for the purpose of describing details that may not be apparent in the remaining views.

1 Claim, 8 Drawing Sheets



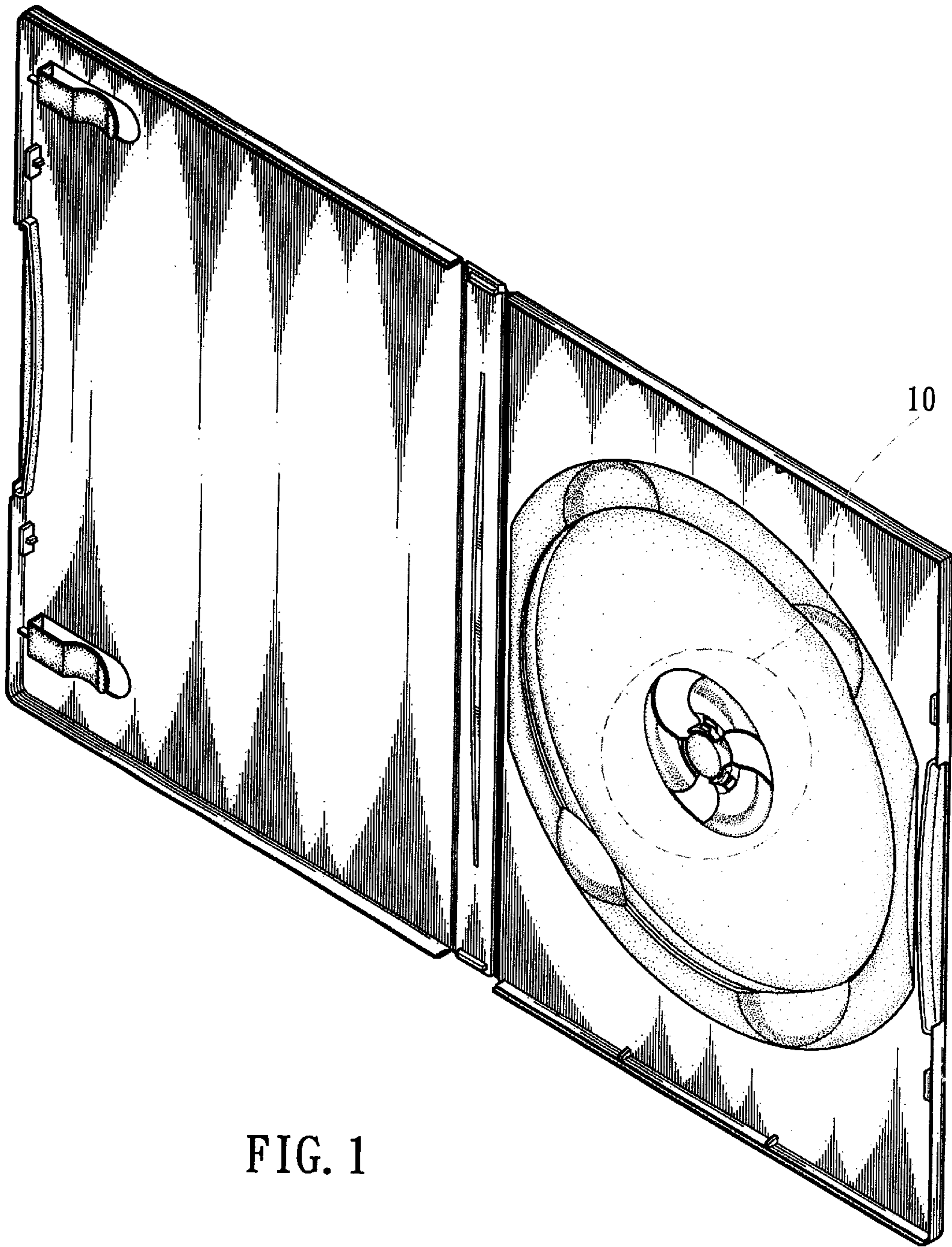


FIG. 1



FIG. 2



FIG. 3

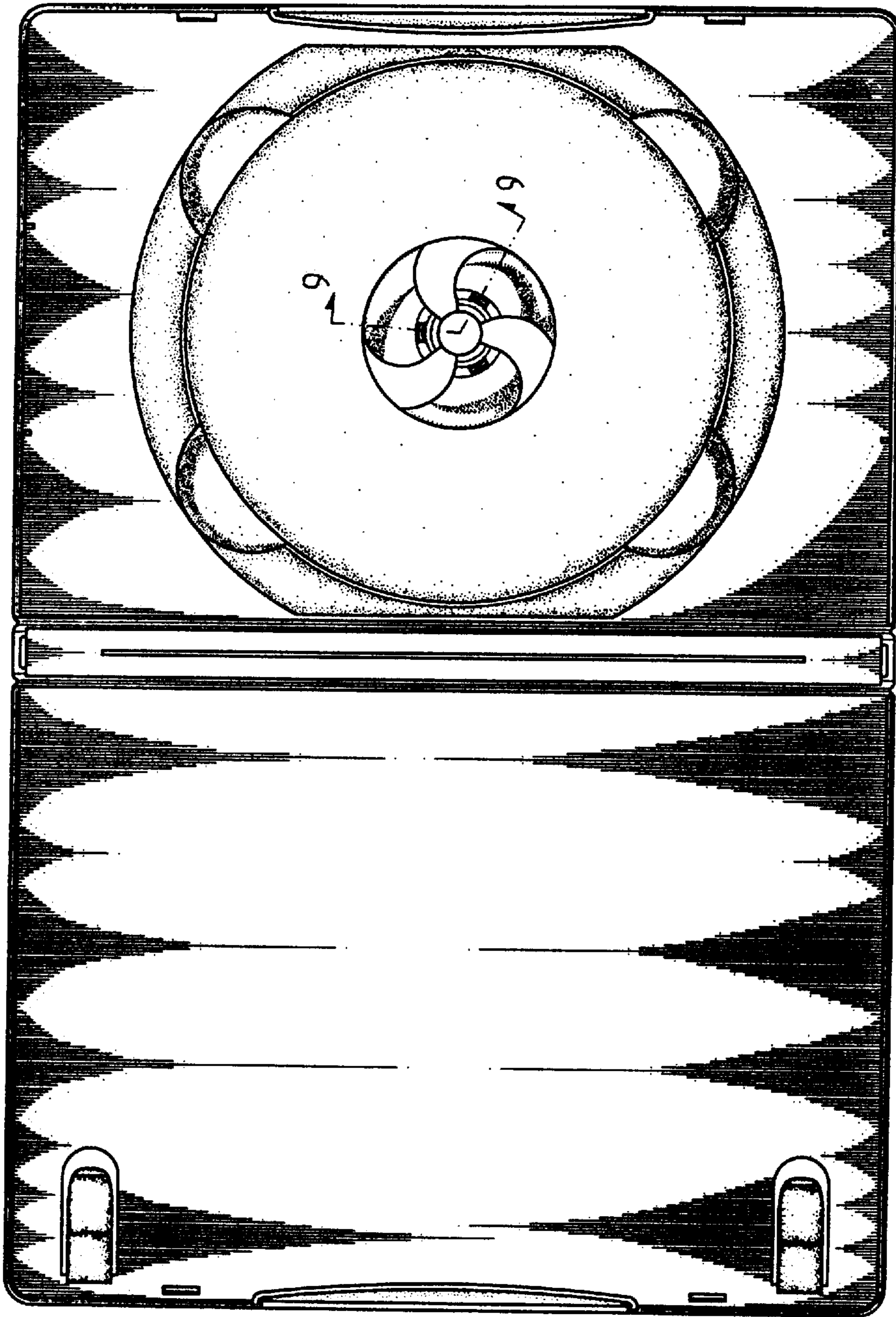


FIG. 4

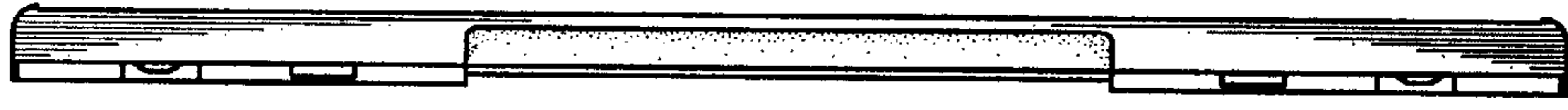


FIG. 6



FIG. 5

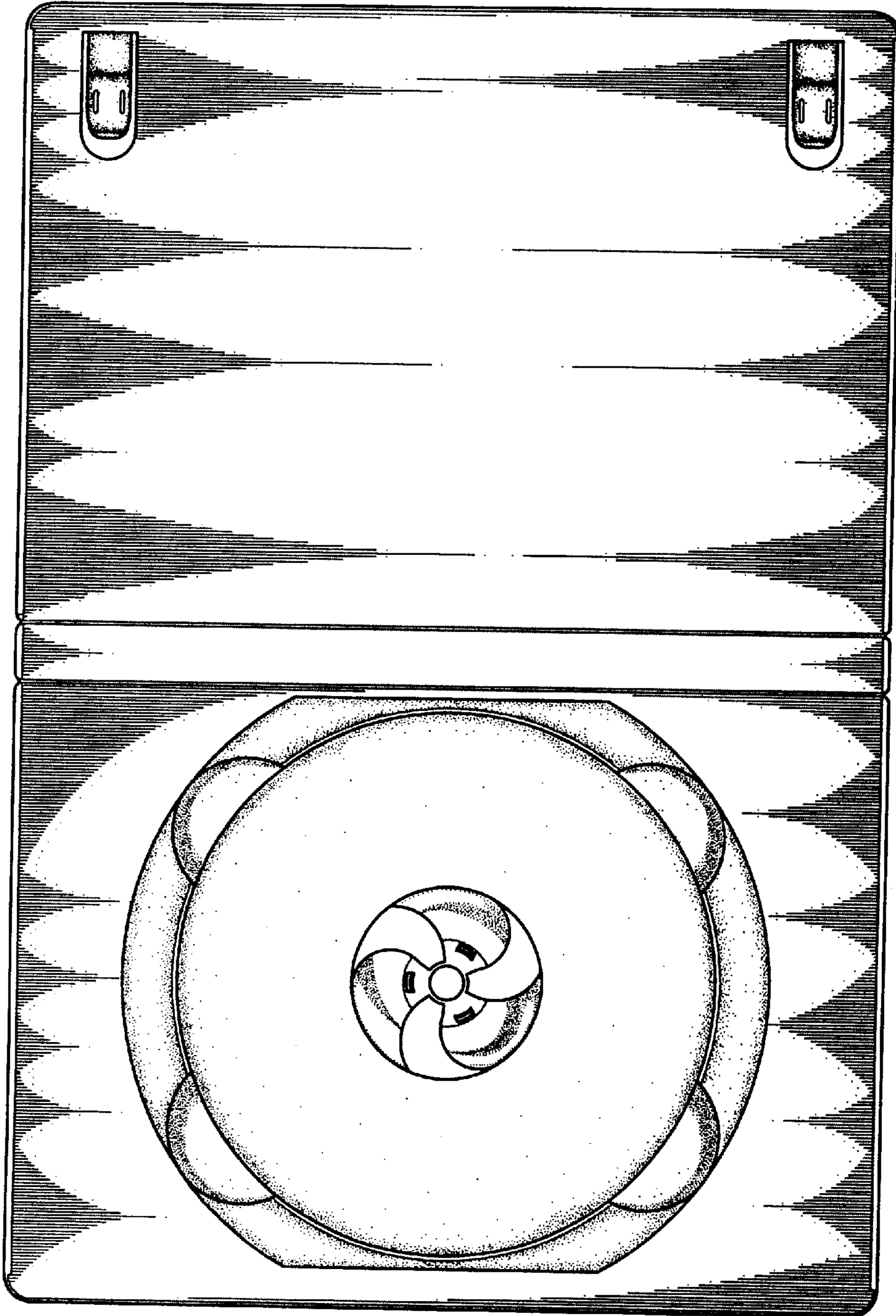


FIG. 7

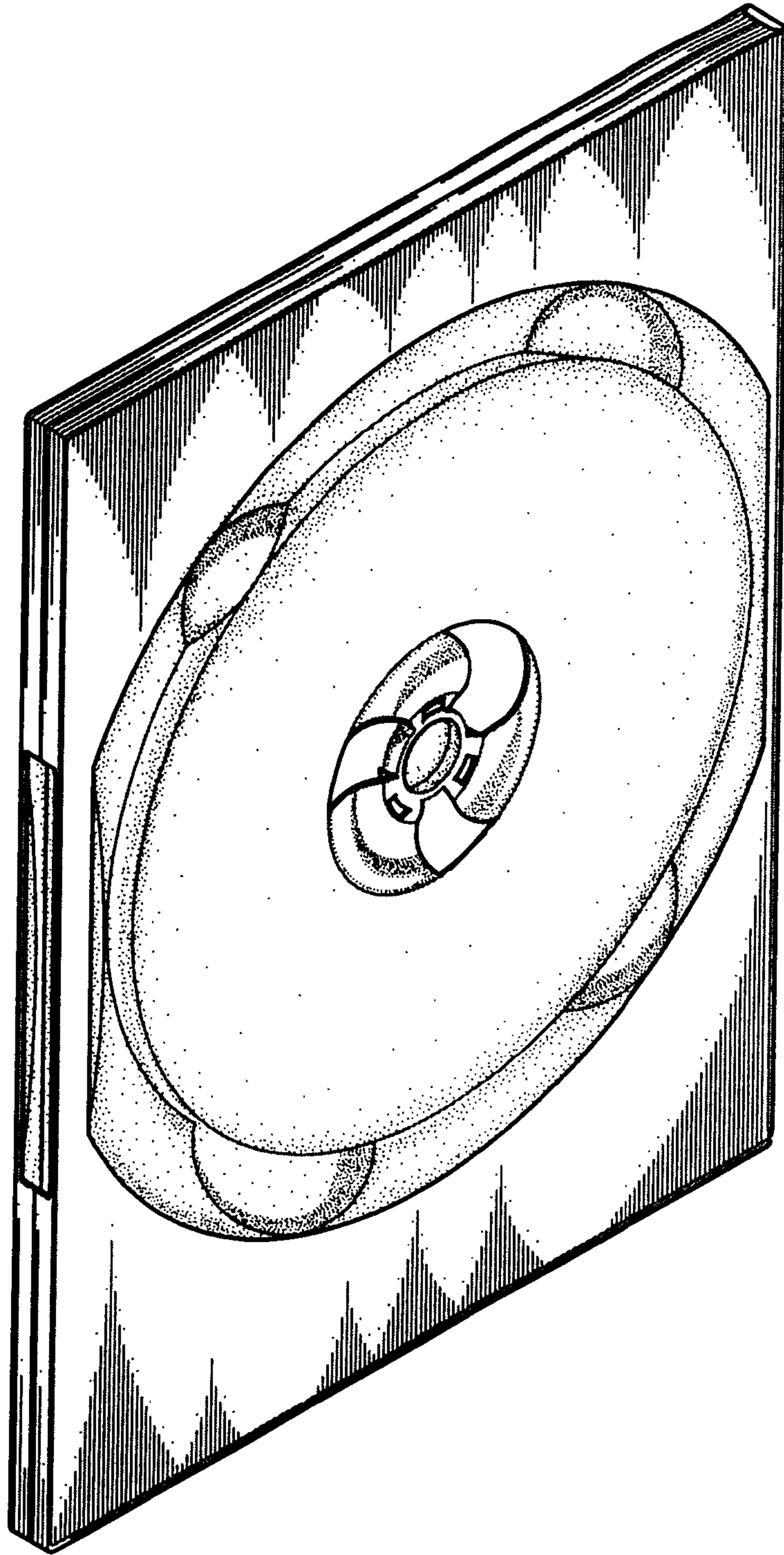


FIG. 8

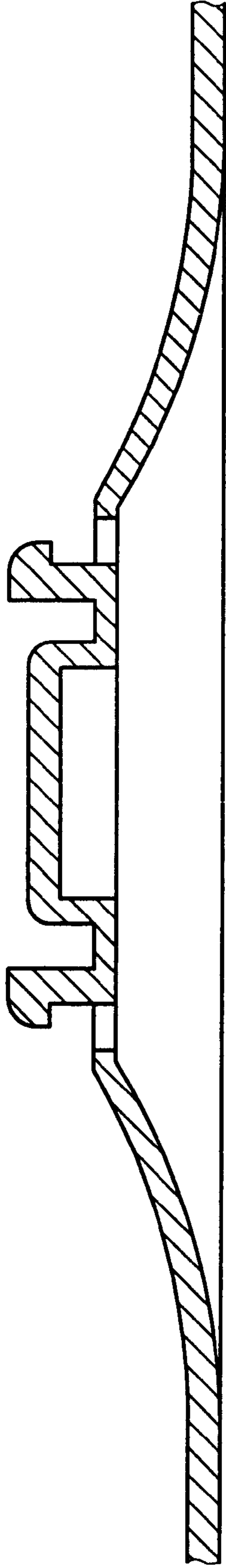


FIG. 9

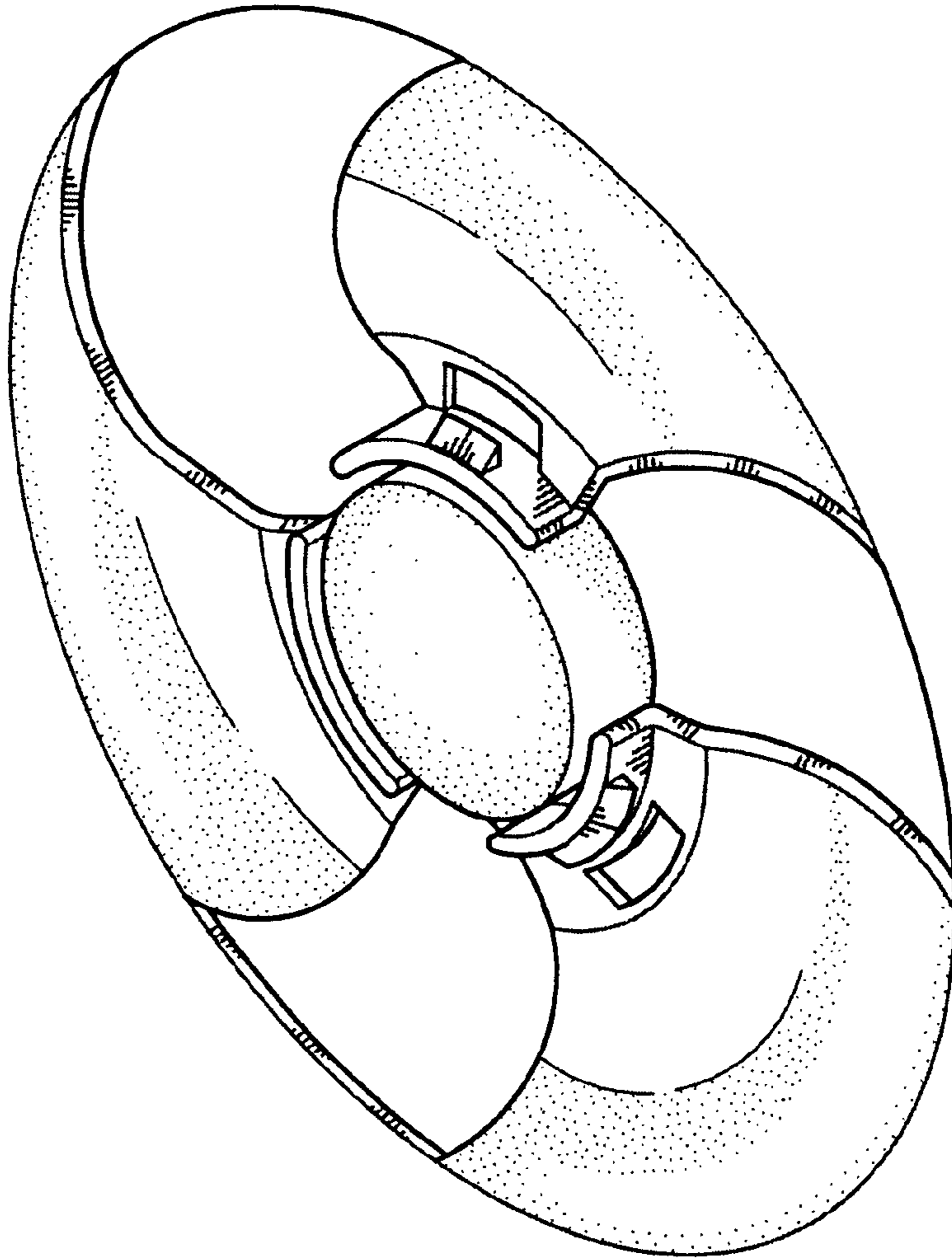


FIG. 10