



US00D480585S

(12) **United States Design Patent**
Johansson et al.

(10) **Patent No.:** **US D480,585 S**

(45) **Date of Patent:** **** Oct. 14, 2003**

(54) **MOUNTABLE SOAP DISH**

D441,235 S * 5/2001 Milrud et al. D6/540
D451,733 S * 12/2001 Henderson et al. D6/540
D451,734 S * 12/2001 Henderson D6/540

(75) Inventors: **Ronald C. Johansson**, Stillwater, MN (US); **Jon A. Kirschhoffer**, White Bear Lake, MN (US); **Amelia A. Williams**, Woodbury, MN (US); **Mark E. Mnich**, Columbus, OH (US); **Jeffrey R. Burger**, Bexley, OH (US); **Michael A. Lorenz, Jr.**, Gahanna, OH (US); **Michael J. Painter**, Columbus, OH (US)

* cited by examiner

Primary Examiner—Brian N. Vinson
(74) *Attorney, Agent, or Firm*—David B. Patchett

(73) Assignee: **3M Innovative Properties Company**, St. Paul, MN (US)

(57) **CLAIM**

The ornamental design for a mountable soap dish, as shown and described.

(**) Term: **14 Years**

DESCRIPTION

(21) Appl. No.: **29/176,776**

FIG. 1 is a perspective view of a mountable soap dish showing the new design;
FIG. 2 is a side view thereof;
FIG. 3 is a front view thereof;
FIG. 4 is a back view thereof;
FIG. 5 is a top view thereof; and,
FIG. 6 is a bottom view thereof.

(22) Filed: **Feb. 26, 2003**

(51) **LOC (7) Cl.** **23-02**

(52) **U.S. Cl.** **D6/540**

(58) **Field of Search** D6/536-540, 524, D6/529, 532; D27/102, 104; 248/309.1; 206/77.1; 211/13.1, 86.01, 88.01, 126.1, 126.5, 134

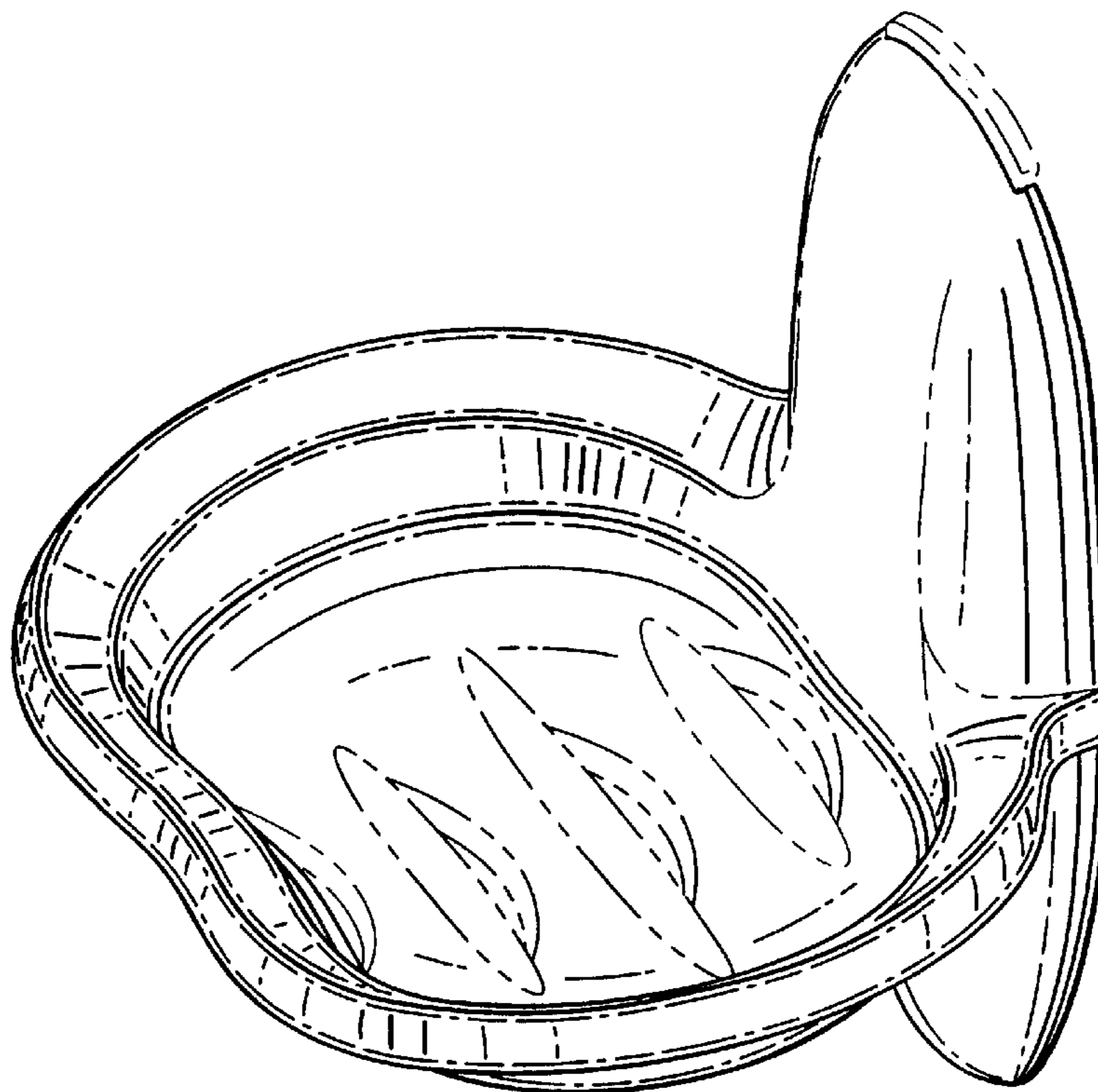
The broken lines shown in the drawings form no part of the claimed design. The shading shown in the drawings is provided merely to indicate the contour of the design; it is not intended to be indicative of any particular texture, etc.

(56) **References Cited**

U.S. PATENT DOCUMENTS

D423,267 S * 4/2000 Roth et al. D6/540

1 Claim, 3 Drawing Sheets



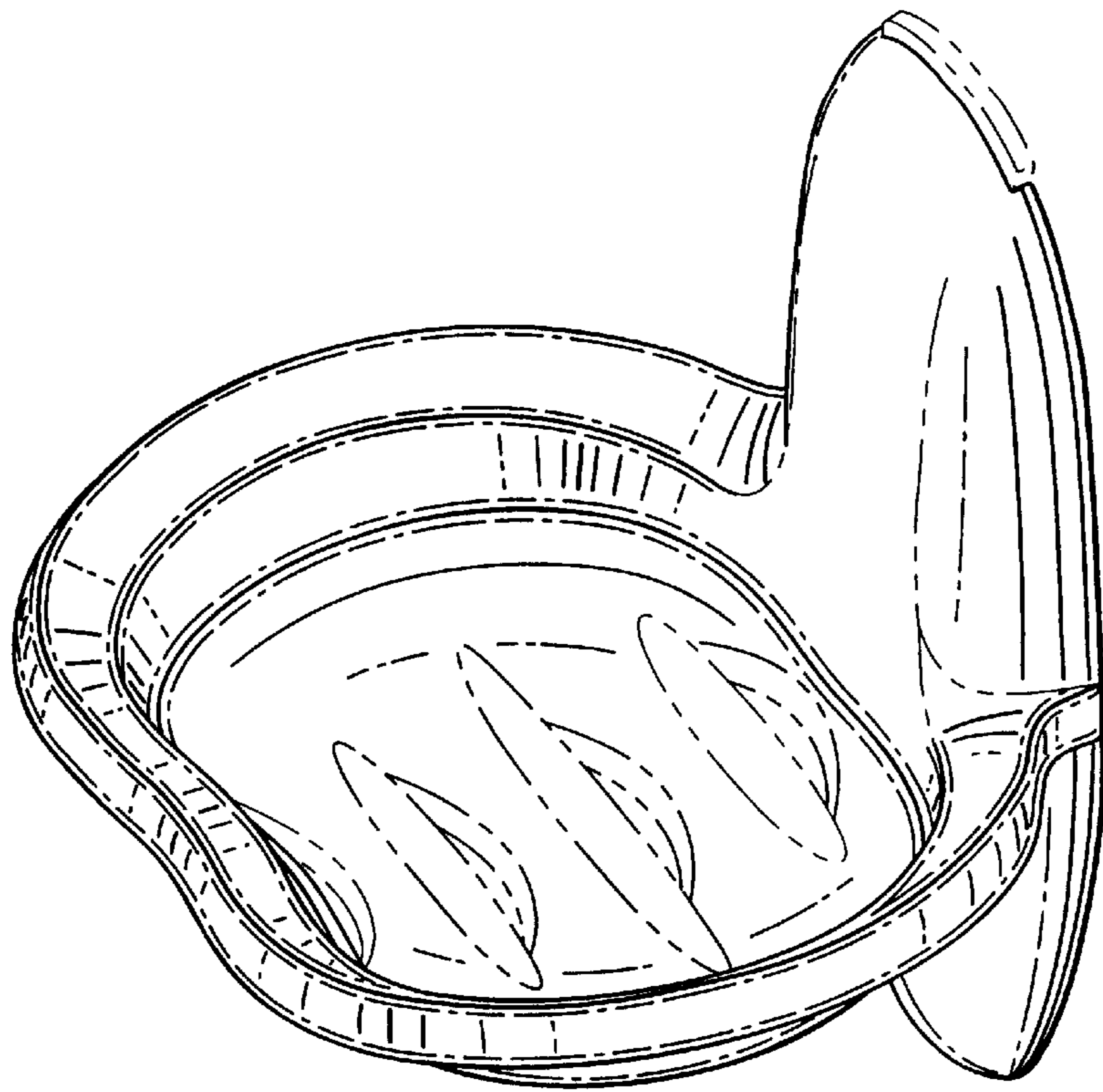


FIG. 1

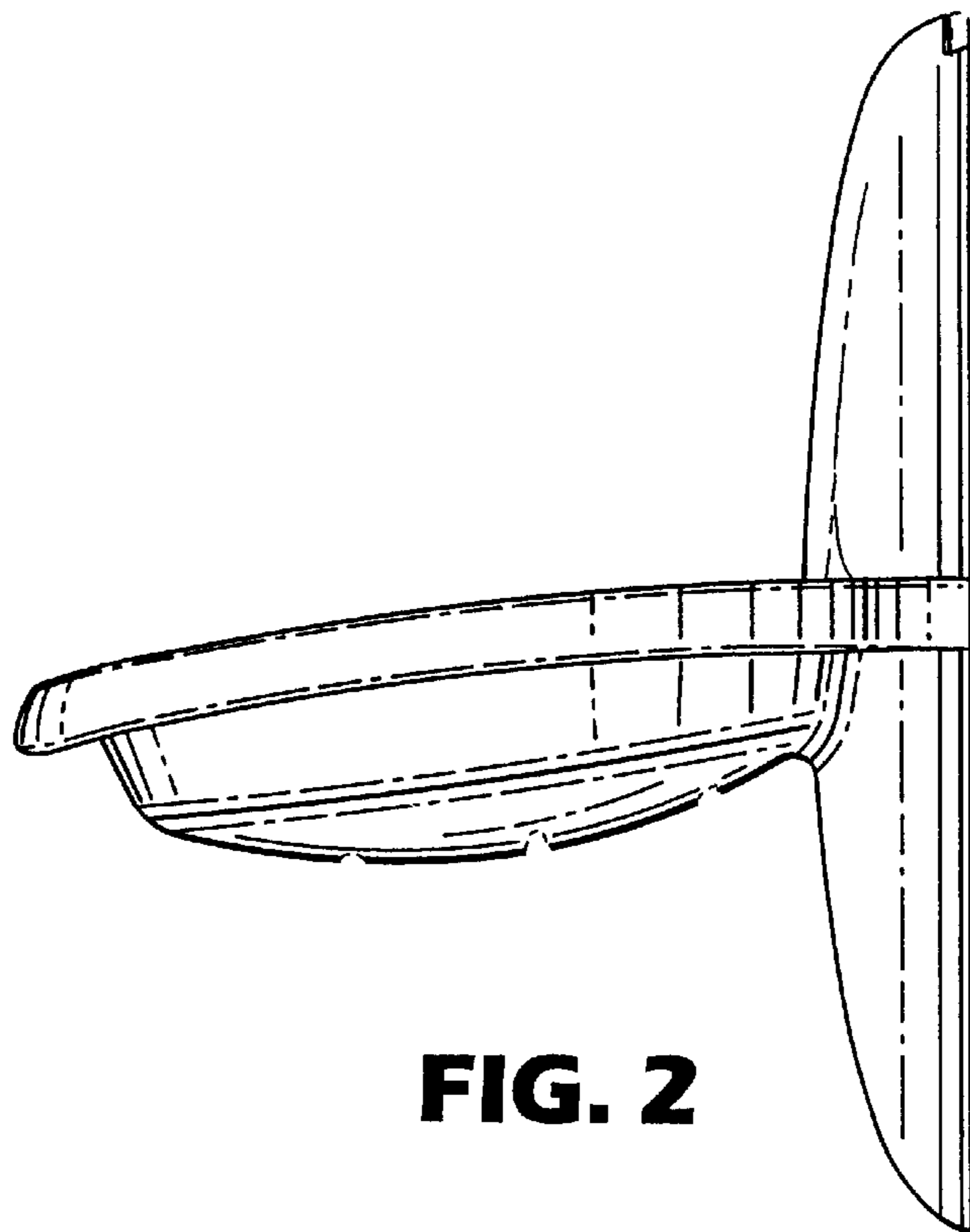


FIG. 2

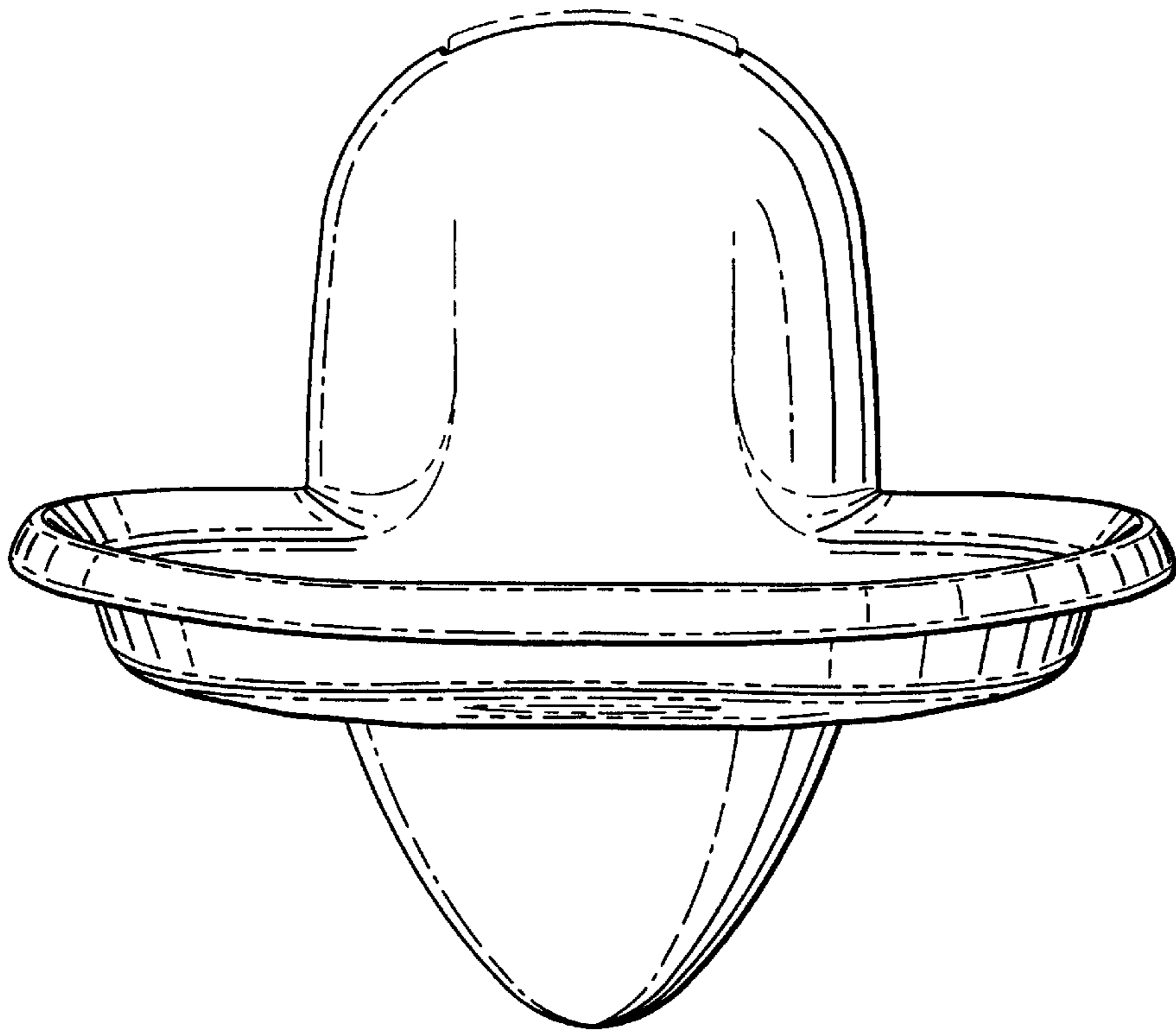


FIG. 3

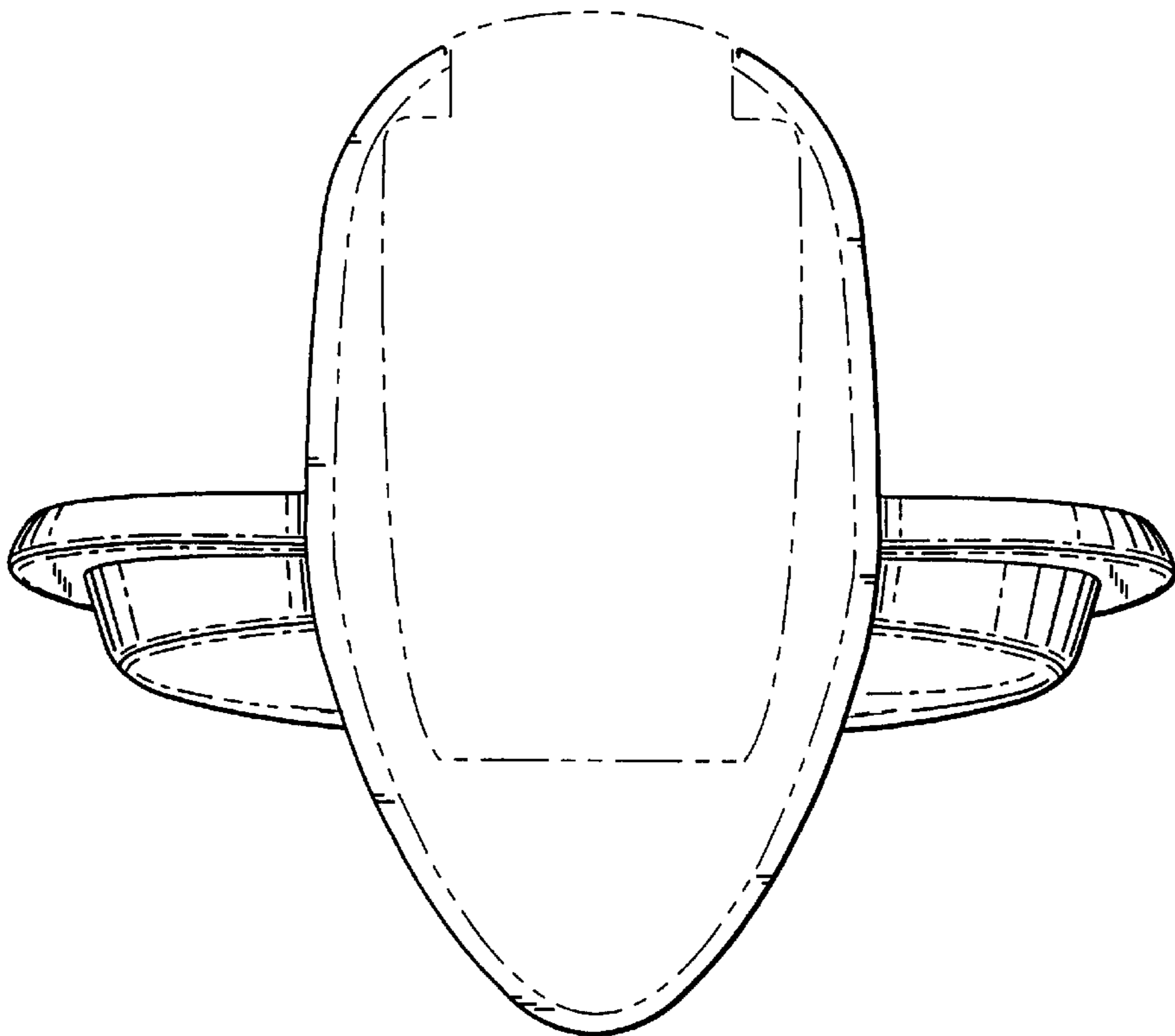


FIG. 4

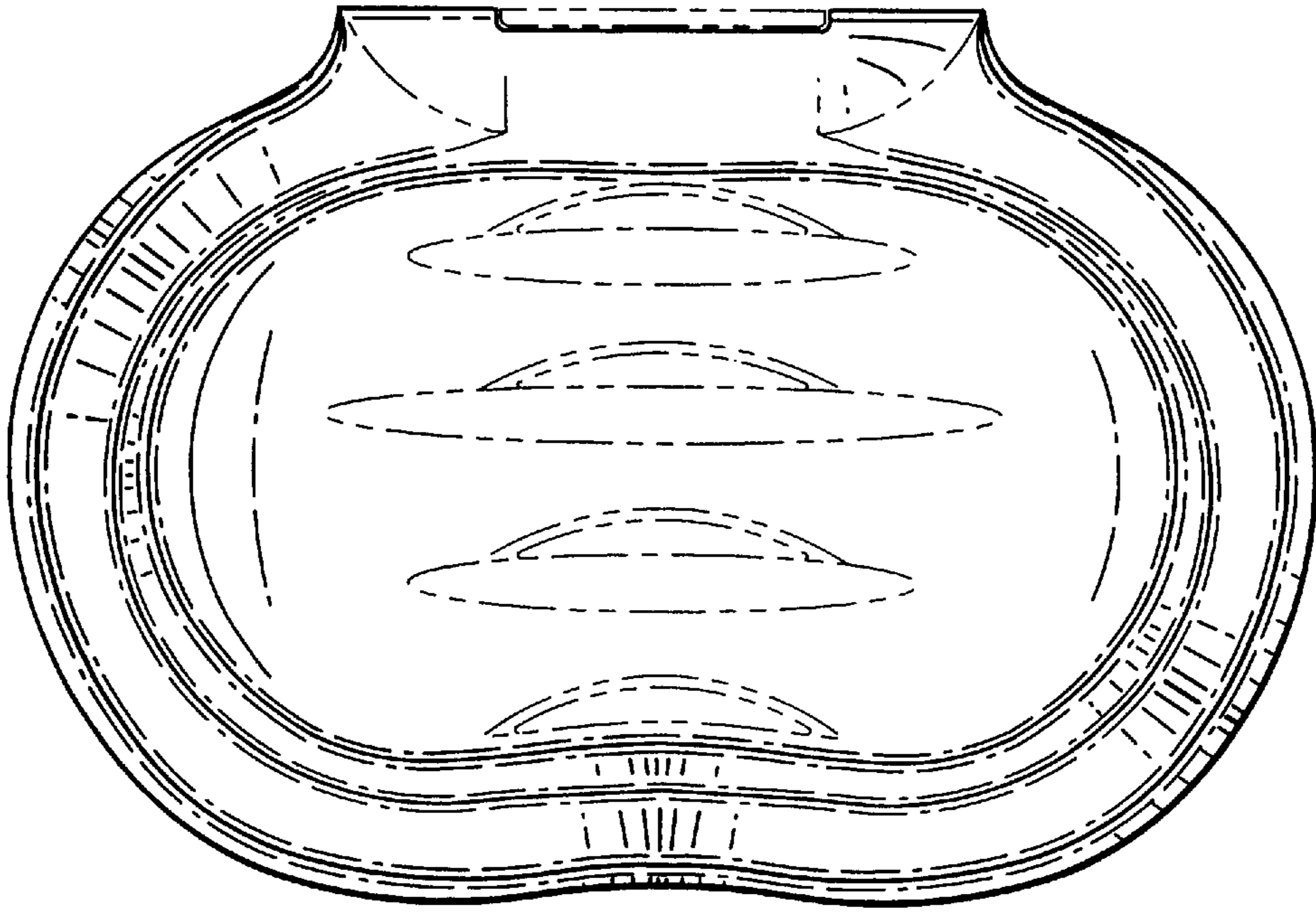


FIG. 5

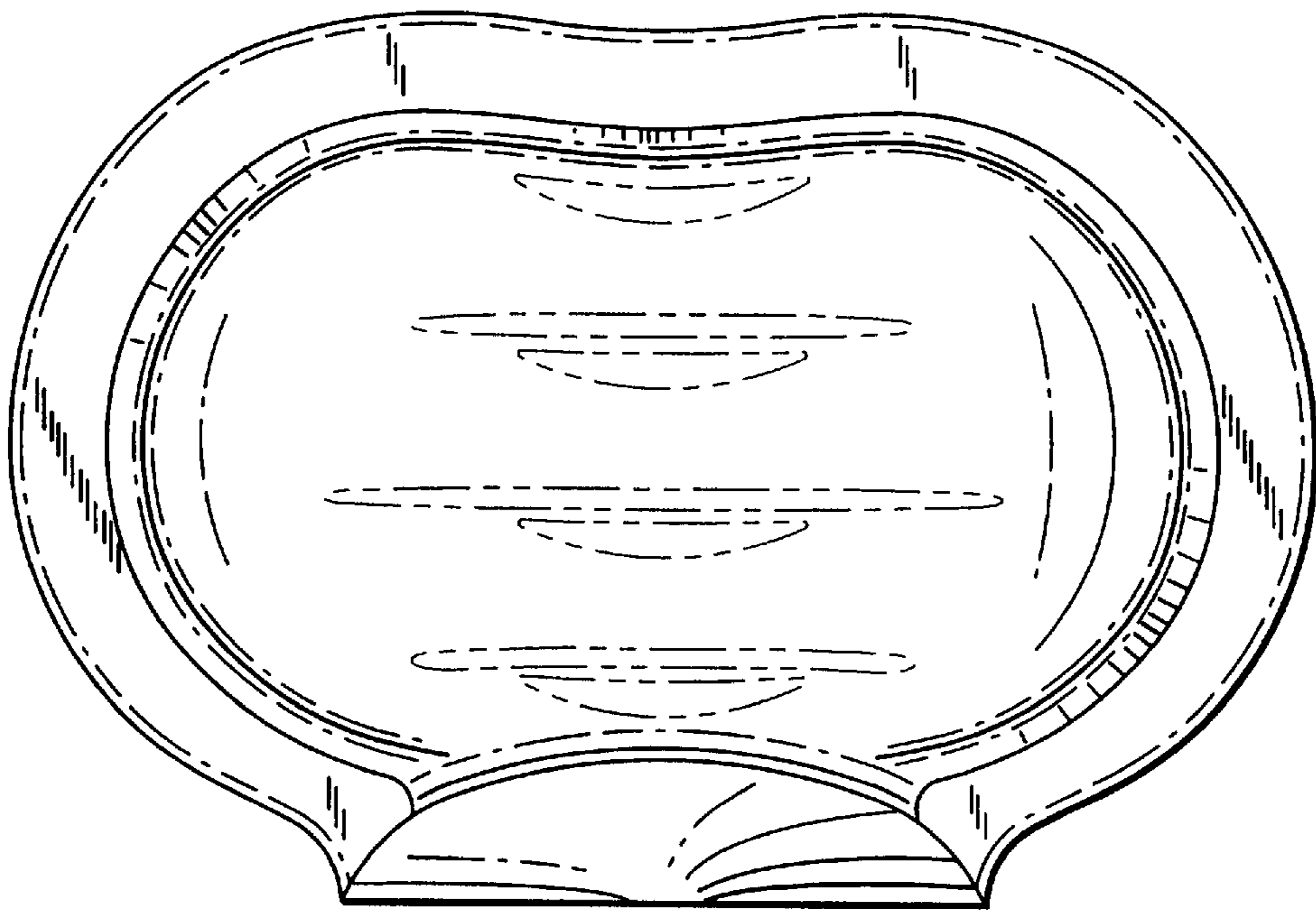


FIG. 6