



US00D480581S

(12) **United States Design Patent**
Searer

(10) **Patent No.:** **US D480,581 S**

(45) **Date of Patent:** **** Oct. 14, 2003**

- (54) **ROTATABLE SHELF ASSEMBLY**
- (75) Inventor: **Floyd A. Searer**, Elkhart, IN (US)
- (73) Assignee: **FAS Industries, Inc.**, Elkhart, IN (US)
- (**) Term: **14 Years**
- (21) Appl. No.: **29/165,605**
- (22) Filed: **Aug. 14, 2002**
- (51) **LOC (7) Cl.** **06-04**
- (52) **U.S. Cl.** **D6/455; D6/479**
- (58) **Field of Search** D6/411, 415, 455-479;
D7/501, 590; 211/11, 13.1, 85.1, 85.2, 85.4,
70, 78, 107, 131.1, 133.2, 133.4, 163, 164;
108/59, 91-94

(56) **References Cited**

U.S. PATENT DOCUMENTS

D125,267 S	*	2/1941	Gardner	D6/511
D149,046 S	*	3/1948	Blumenthal et al.	D7/501
D155,949 S	*	11/1949	Wiley et al.	D7/501
D186,060 S	*	9/1959	Udesky et al.	D6/461
3,951,079 A	*	4/1976	Tolleson	D7/501 X
D241,192 S	*	8/1976	Salcer	D6/415
4,678,089 A	*	7/1987	Lang	211/133.4
D297,191 S	*	8/1988	Frieden, Jr.	D6/461
D354,862 S	*	1/1995	Goldberg	D6/461
5,562,216 A	*	10/1996	Falconio	211/33
D407,920 S	*	4/1999	Duffield	D6/461
6,296,335 B1	*	10/2001	Compagnucci	211/133.4 X
D454,722 S	*	3/2002	Novel	D6/415

OTHER PUBLICATIONS

Sweets Catalog, Kitchen Compact Lazy Susan shelves 36LS, p. 11455/KIT, 1993.*

* cited by examiner

Primary Examiner—Cathron C. Brooks

(74) *Attorney, Agent, or Firm*—Van Dyke, Gardner, Linn & Burkhart, LLP

(57) **CLAIM**

The ornamental design for the rotatable shelf assembly, as shown and described.

DESCRIPTION

FIG. 1 is a perspective view of a rotatable shelf assembly of the present invention;

FIG. 2 is a top plan view of the rotatable shelf assembly of FIG. 1;

FIG. 3 is a side elevation view of the rotatable shelf assembly of FIG. 1;

FIG. 4 is a bottom plan view of the rotatable shelf assembly of FIG. 1;

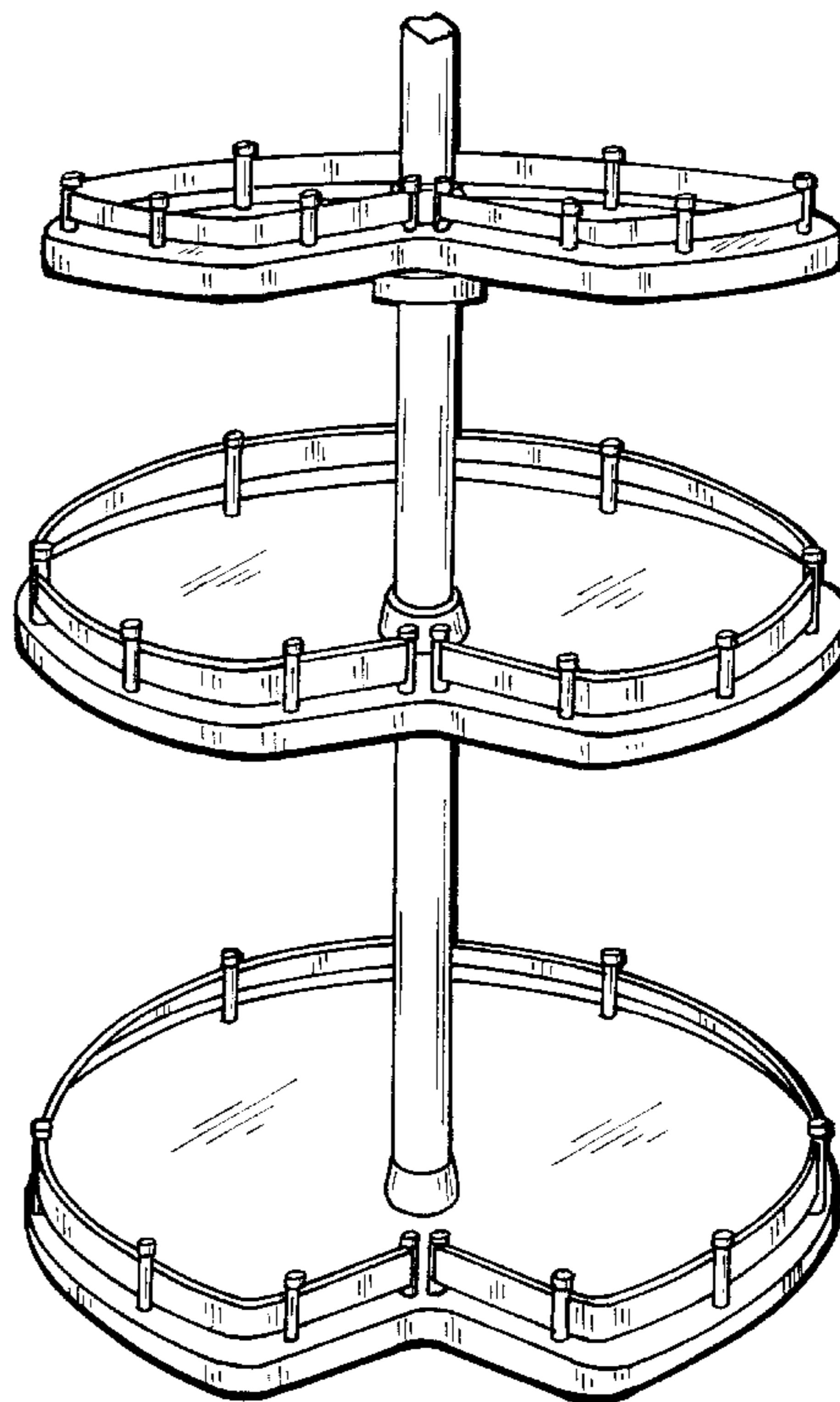
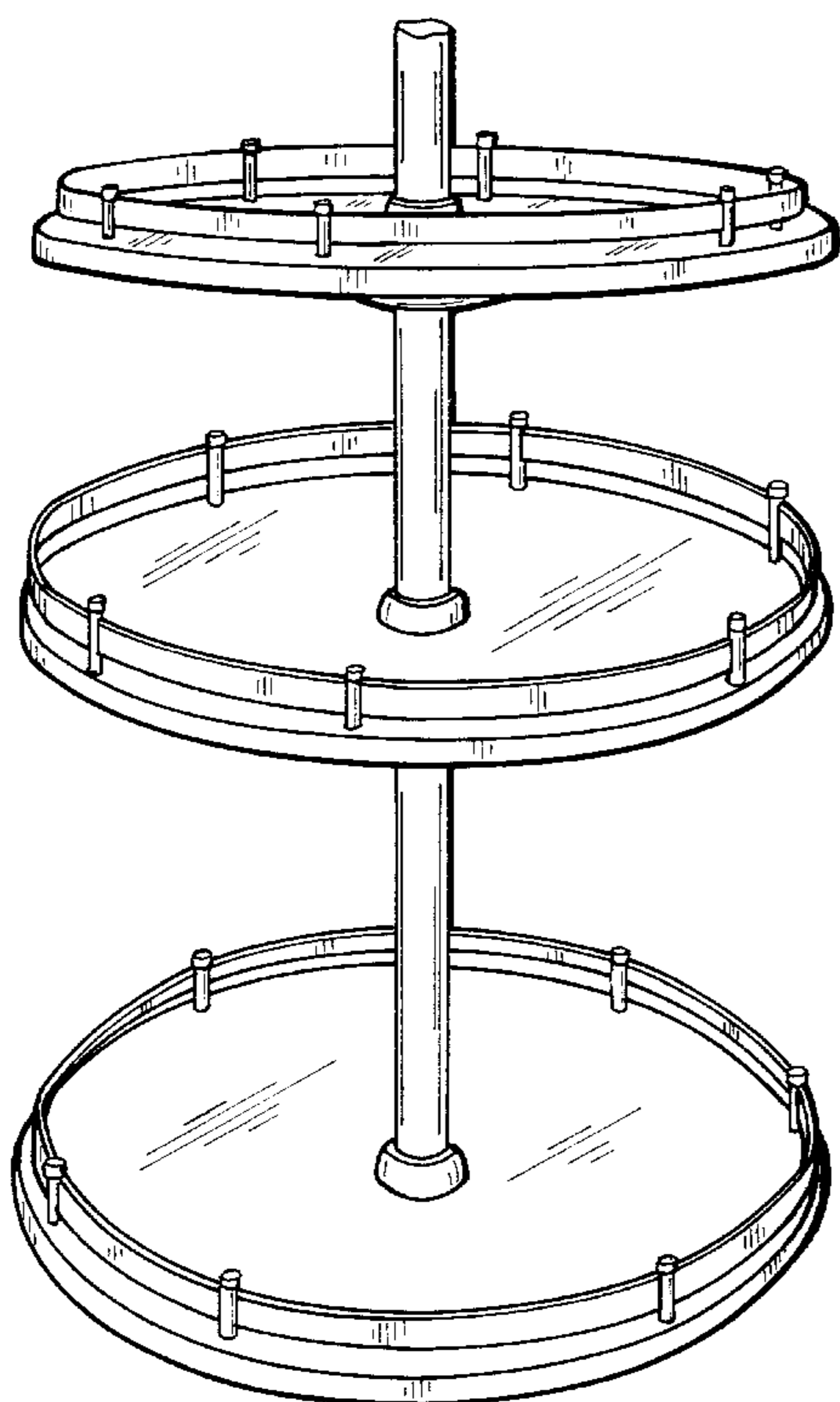
FIG. 5 is a perspective view of another embodiment of the rotatable shelf assembly of the present invention;

FIG. 6 is a top plan view of the rotatable shelf assembly of FIG. 5;

FIG. 7 is a front elevation view of the rotatable shelf assembly of FIG. 5; and,

FIG. 8 is a bottom plan view of the rotatable shelf assembly of FIG. 5.

1 Claim, 4 Drawing Sheets



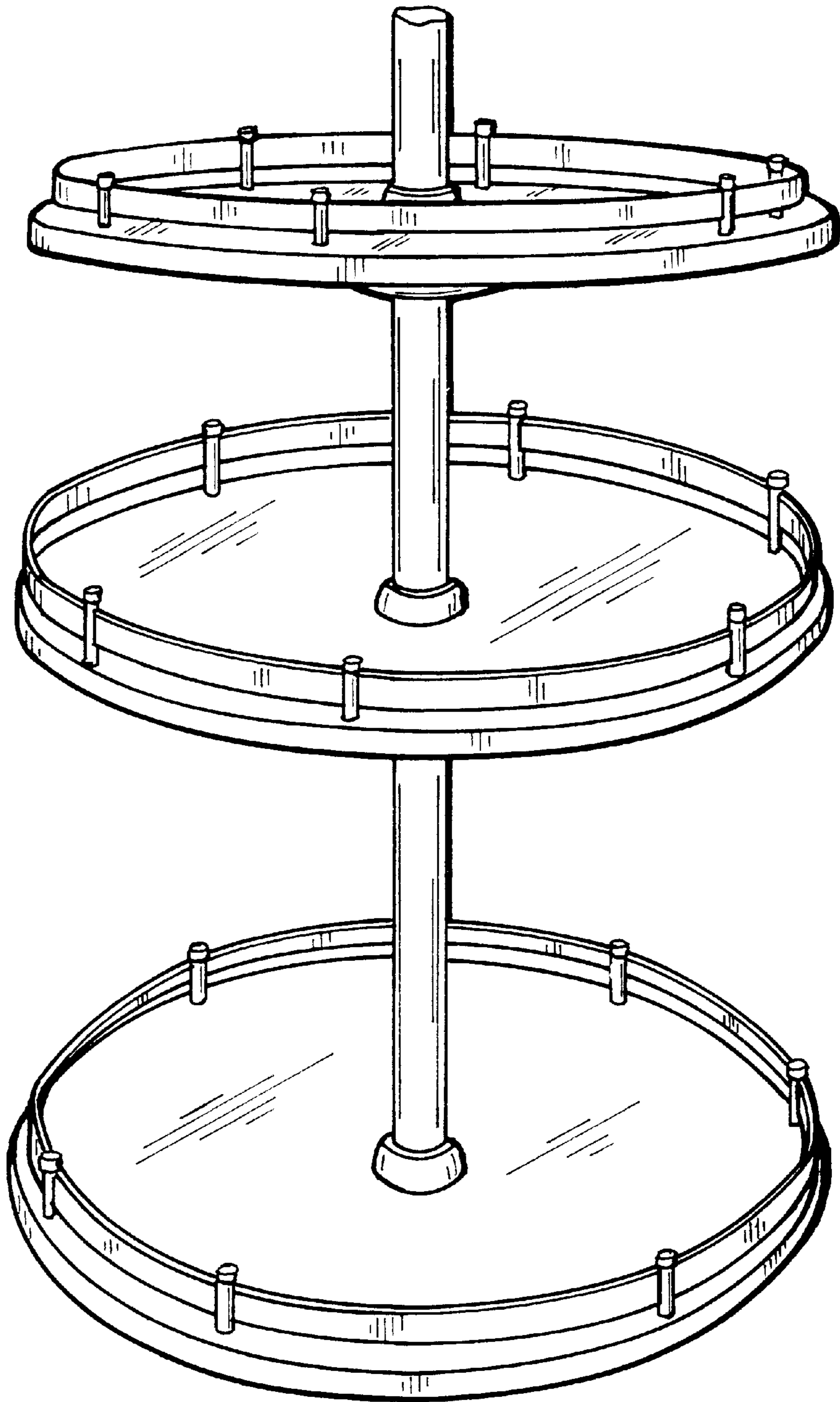


FIG.1

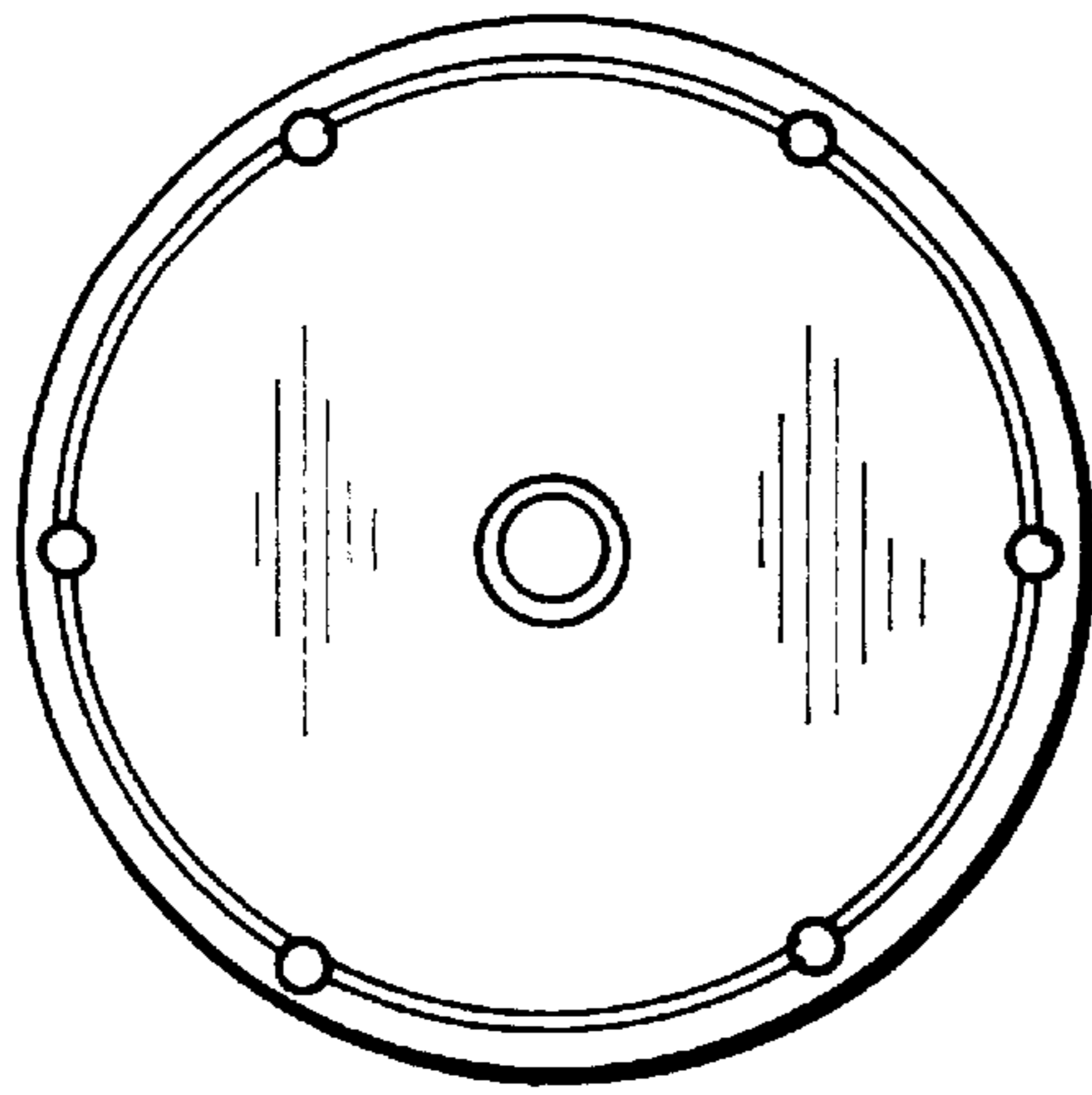


FIG. 2

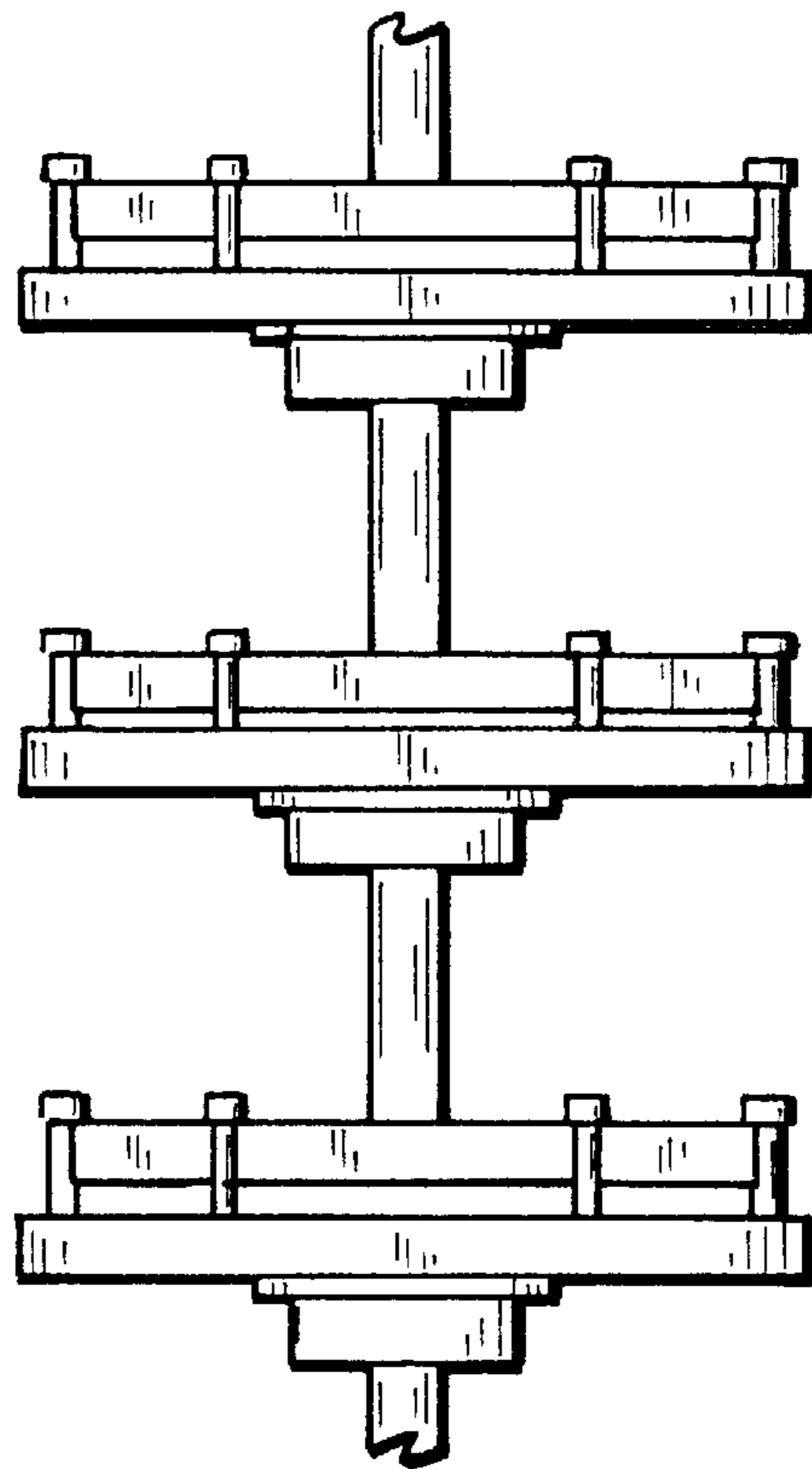


FIG. 3



FIG. 4

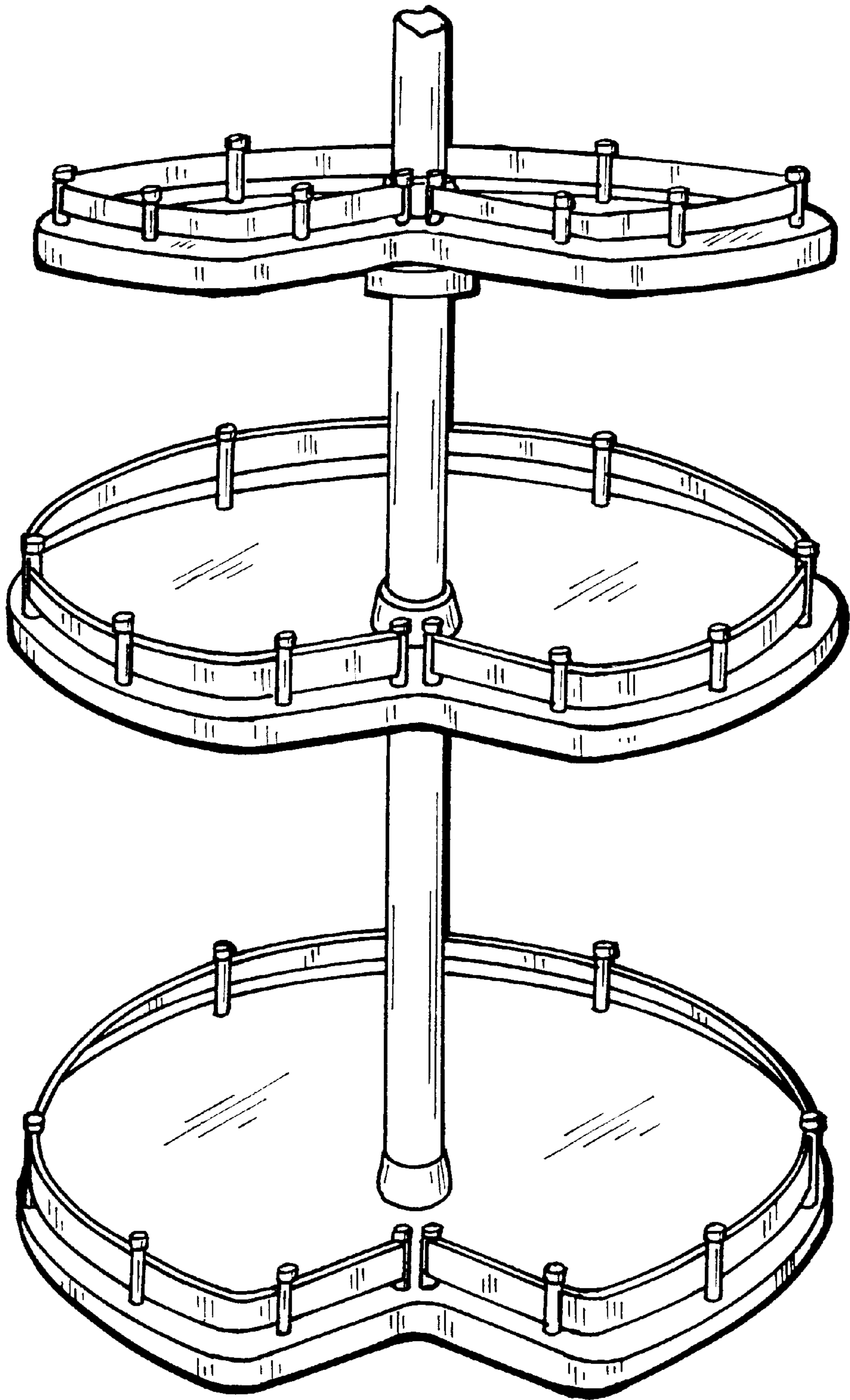


FIG. 5

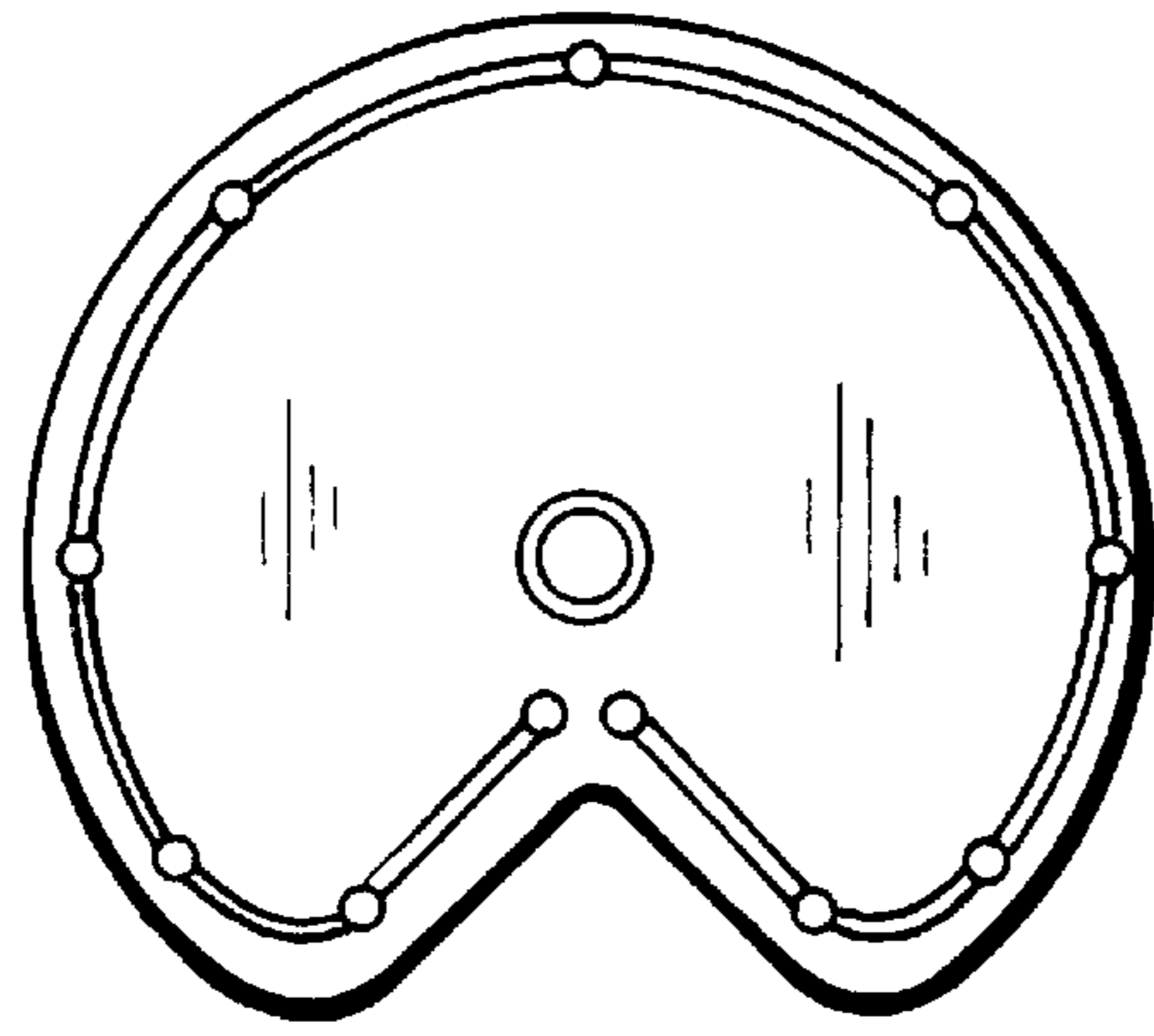


FIG. 6

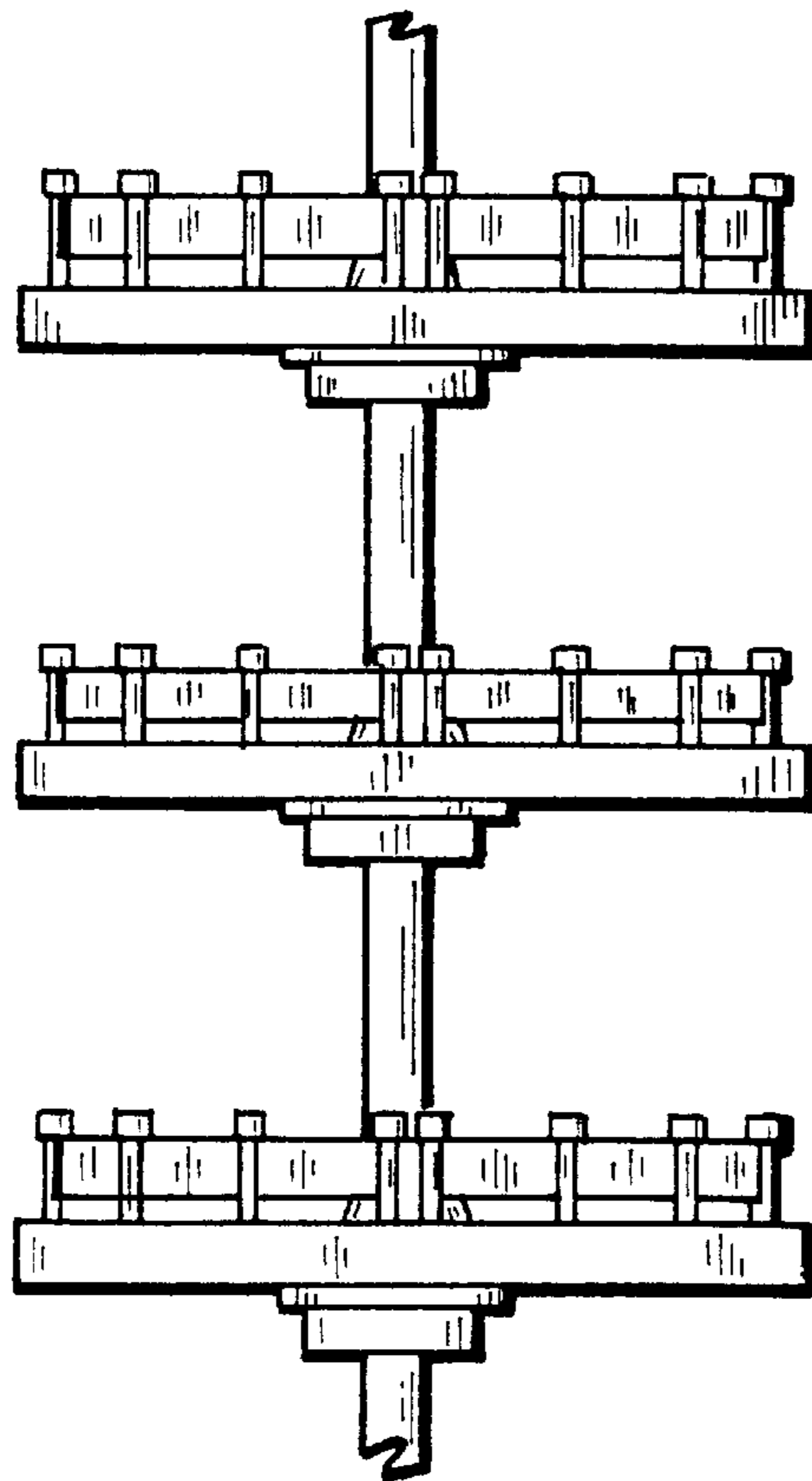


FIG. 7

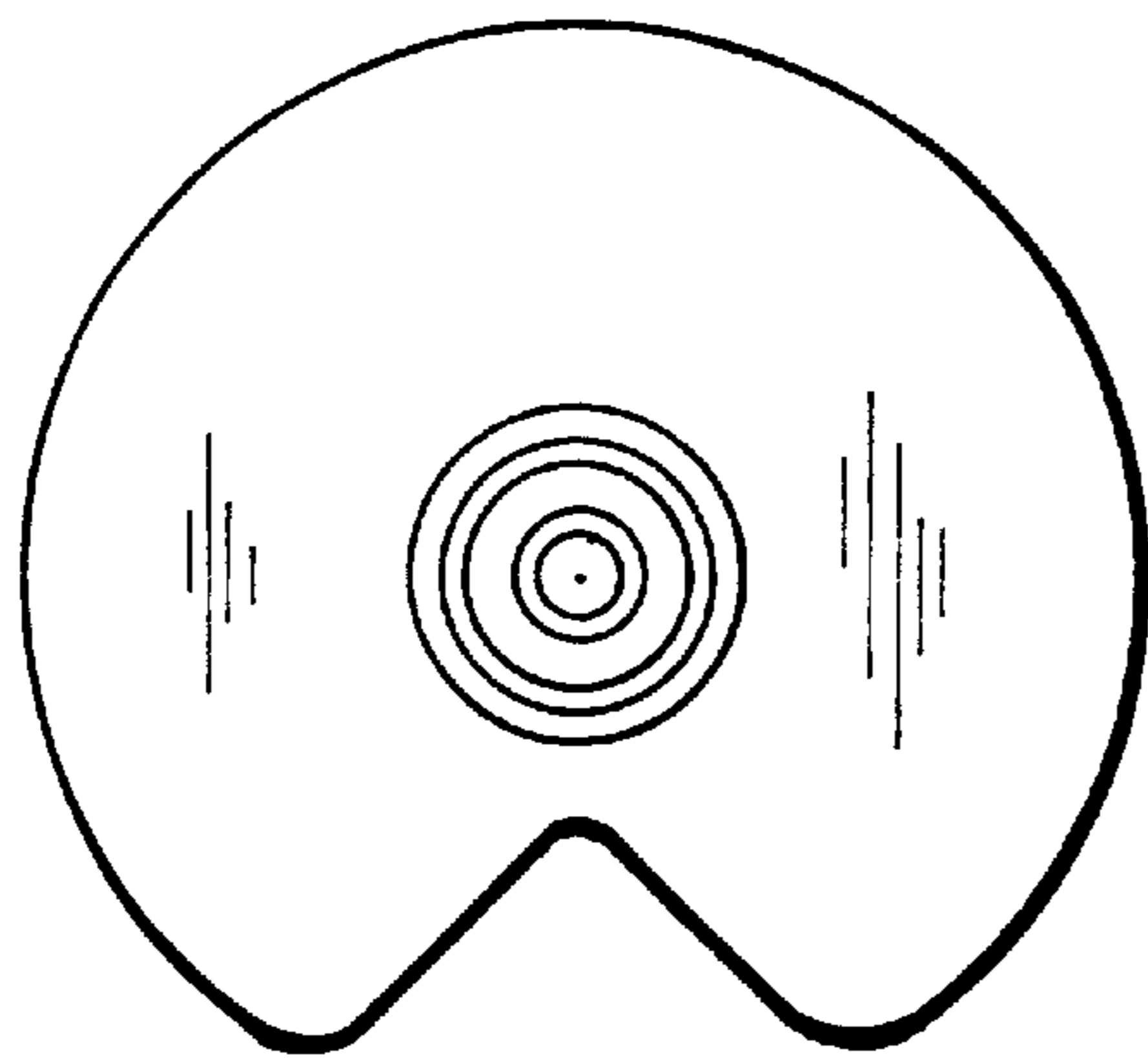


FIG. 8