



US00D480571S

(12) **United States Design Patent**
Yu

(10) **Patent No.:** **US D480,571 S**

(45) **Date of Patent:** **** Oct. 14, 2003**

(54) **BENCH SEAT FOR A VEHICLE**

(75) **Inventor:** **Simon Hon-Sok Yu**, Los Angeles, CA
(US)

(73) **Assignee:** **Honda Giken Kogyo Kabushiki Kaisha** (JP)

(**) **Term:** **14 Years**

(21) **Appl. No.:** **29/172,372**

(22) **Filed:** **Dec. 11, 2002**

(51) **LOC (7) Cl.** **06-01**

(52) **U.S. Cl.** **D6/356**

(58) **Field of Search** D6/334, 335, 356,
D6/367, 381, 500-502; 297/232, 248, 391,
408, 487, 488

(56) **References Cited**

U.S. PATENT DOCUMENTS

3,877,747	A	*	4/1975	Brennan et al.	297/232
4,230,366	A	*	10/1980	Ruda	297/487
D267,372	S	*	12/1982	Long et al.	D6/356
D273,642	S	*	5/1984	Marrujo	D6/356
D280,472	S	*	9/1985	Seto	D6/356
4,664,443	A	*	5/1987	Casale	297/408
D315,255	S	*	3/1991	Beermann	D6/356
D355,777	S	*	2/1995	Emoto	D6/356
D365,216	S	*	12/1995	Smith	D6/356

D414,948	S	*	10/1999	Slanec et al.	D6/356
D428,276	S	*	7/2000	Mitjans	D6/381
D460,279	S	*	7/2002	Moburg	D6/356

* cited by examiner

Primary Examiner—Doris V. Coles

Assistant Examiner—Mimosa De

(74) *Attorney, Agent, or Firm*—Banner & Witcoff, Ltd.

(57) **CLAIM**

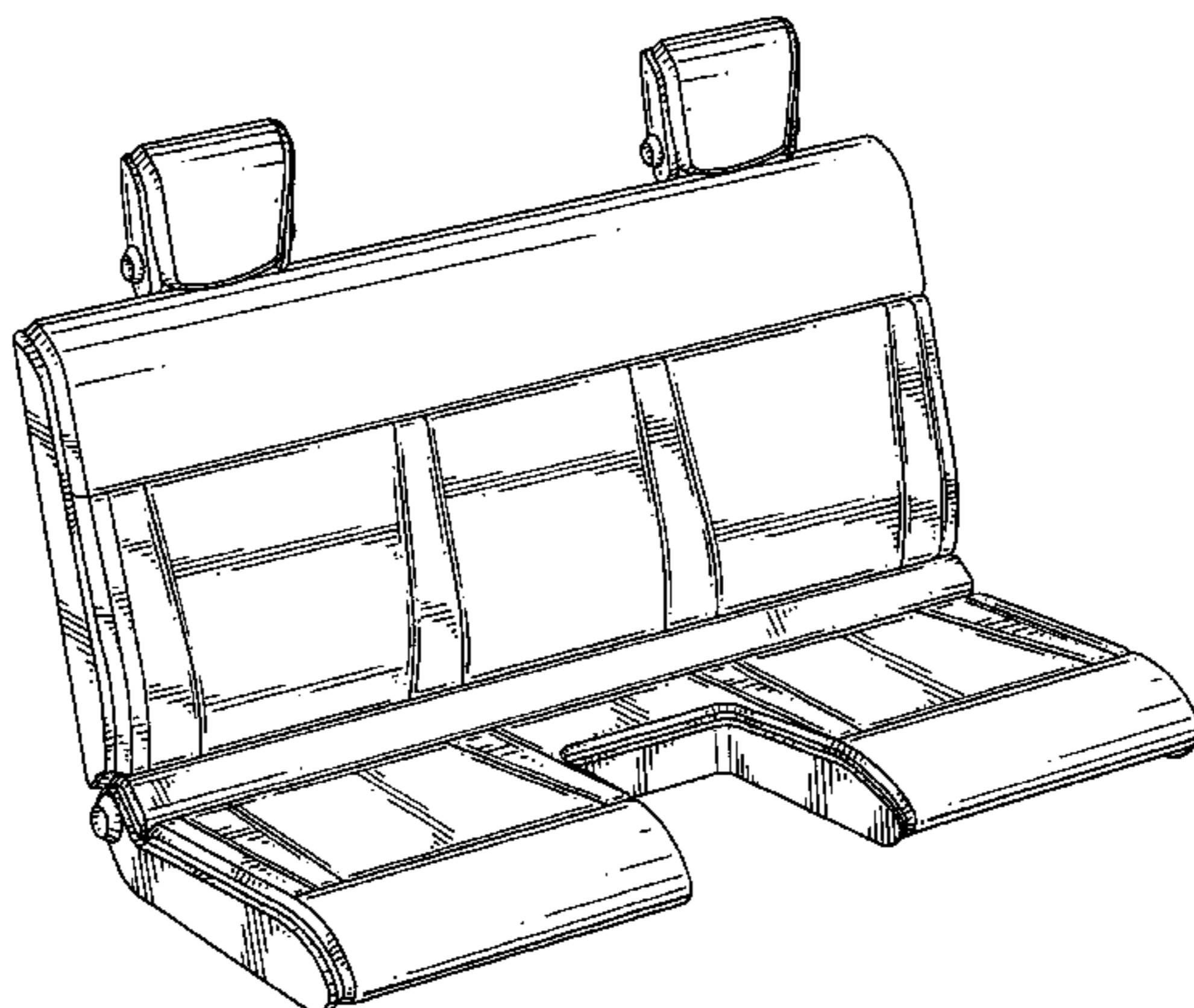
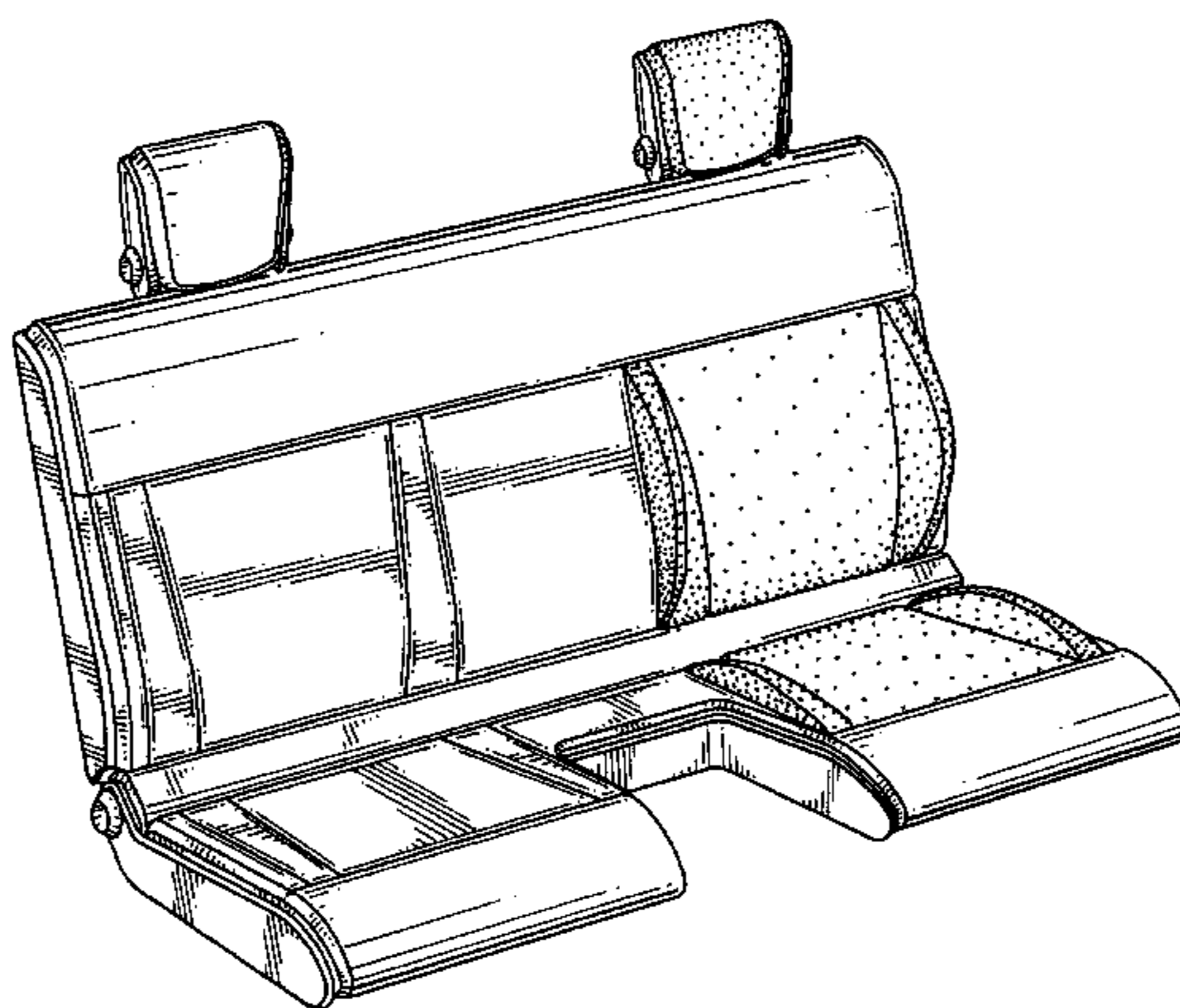
The ornamental design for a bench seat for the vehicle, as shown and described.

DESCRIPTION

FIG. 1 is a perspective view of a bench seat for a vehicle showing one embodiment of my new design; FIG. 2 is a front elevational view thereof; FIG. 3 is a side elevational view thereof; FIG. 4 is a top plan view thereof; FIG. 5 is a perspective view of a bench seat for a vehicle showing another embodiment of my new design; FIG. 6 is a front elevational view thereof; FIG. 7 is a front elevational view thereof; and, FIG. 8 is a top plan view thereof.

The stipple shading in FIGS. 1-4 depict a contrasting material and not any particular material, color or texture. The rear and bottom surfaces of the seat that are not shown in the drawings form no part of the claimed design.

1 Claim, 8 Drawing Sheets



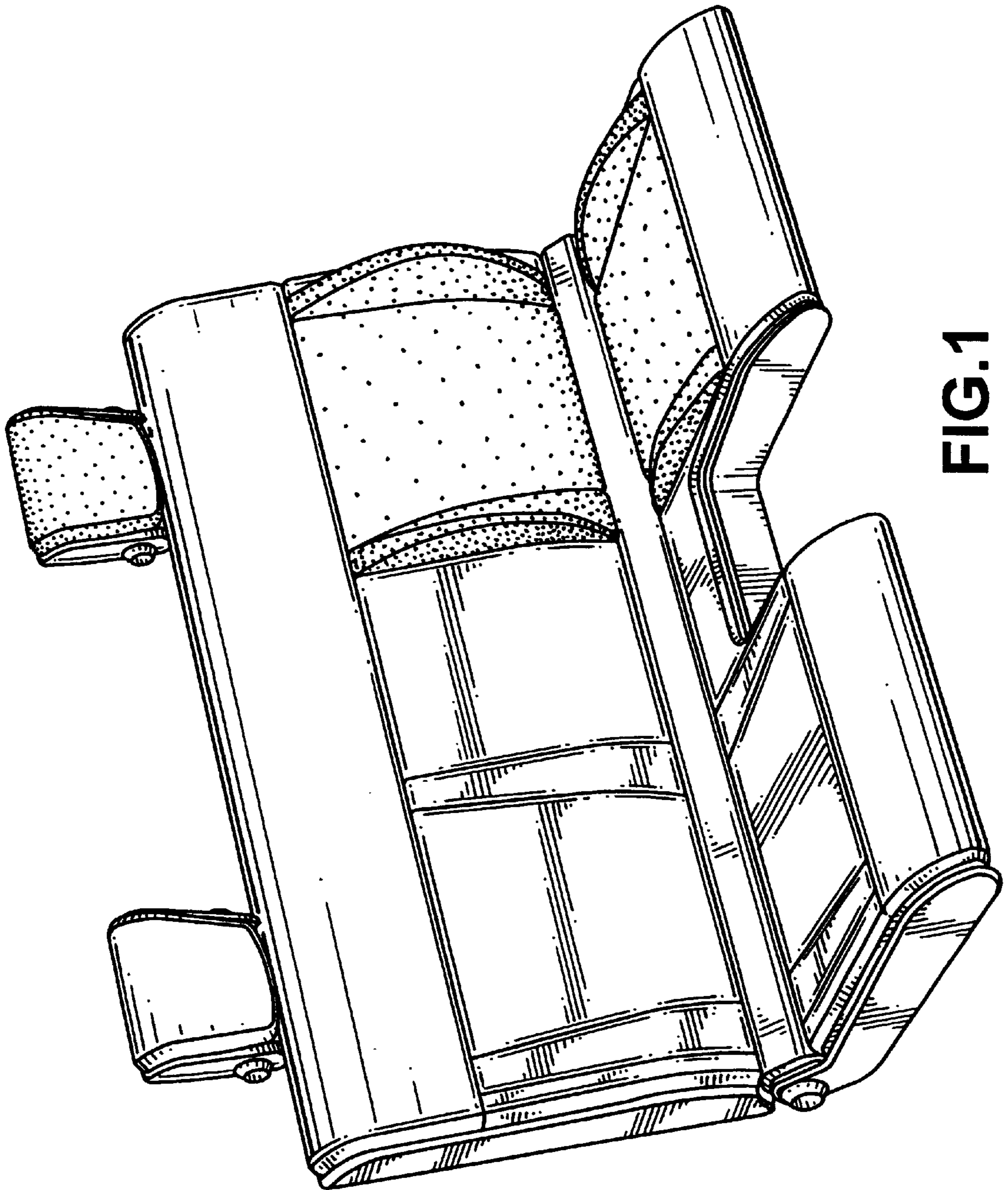


FIG.1

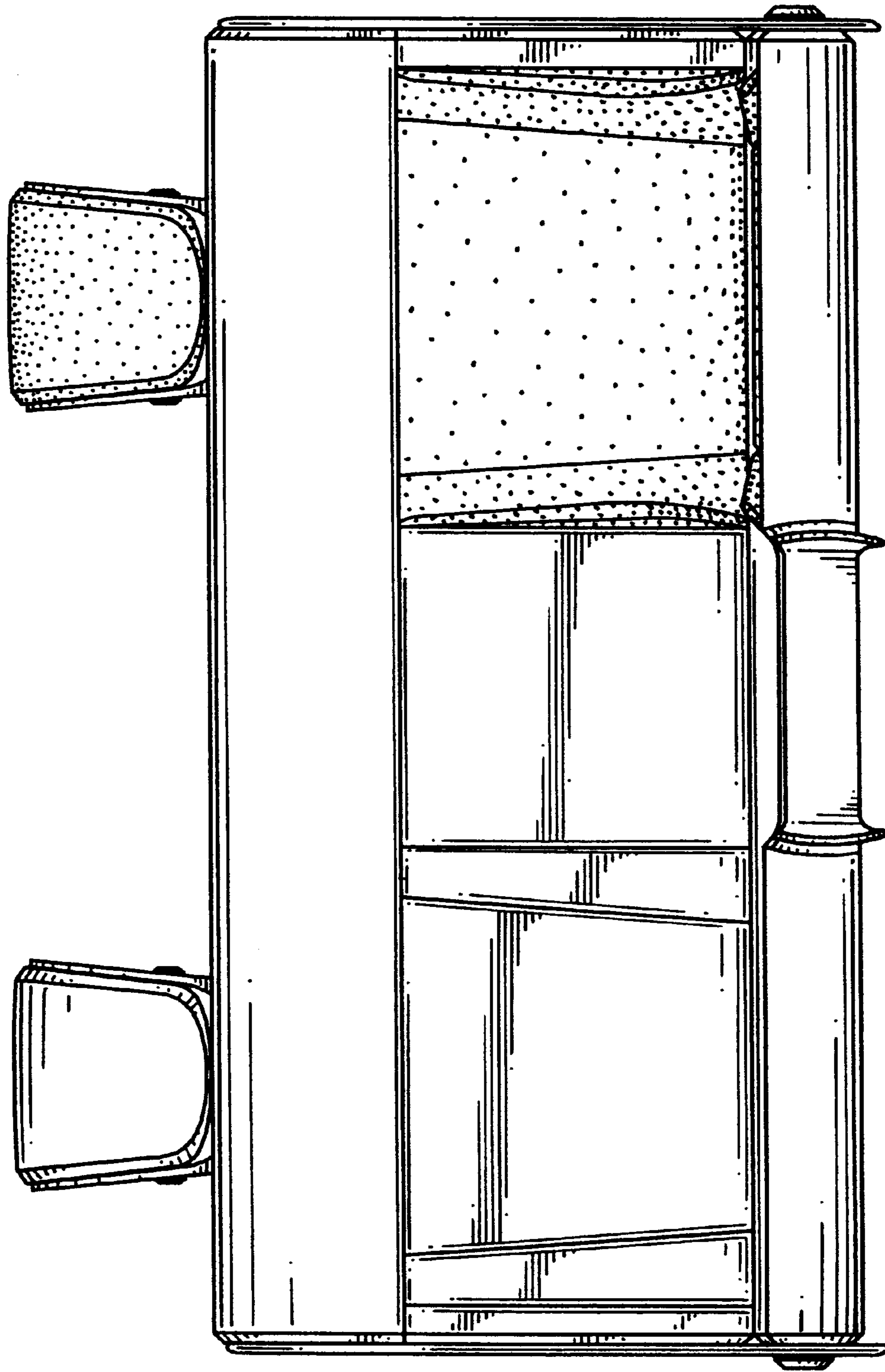


FIG.2

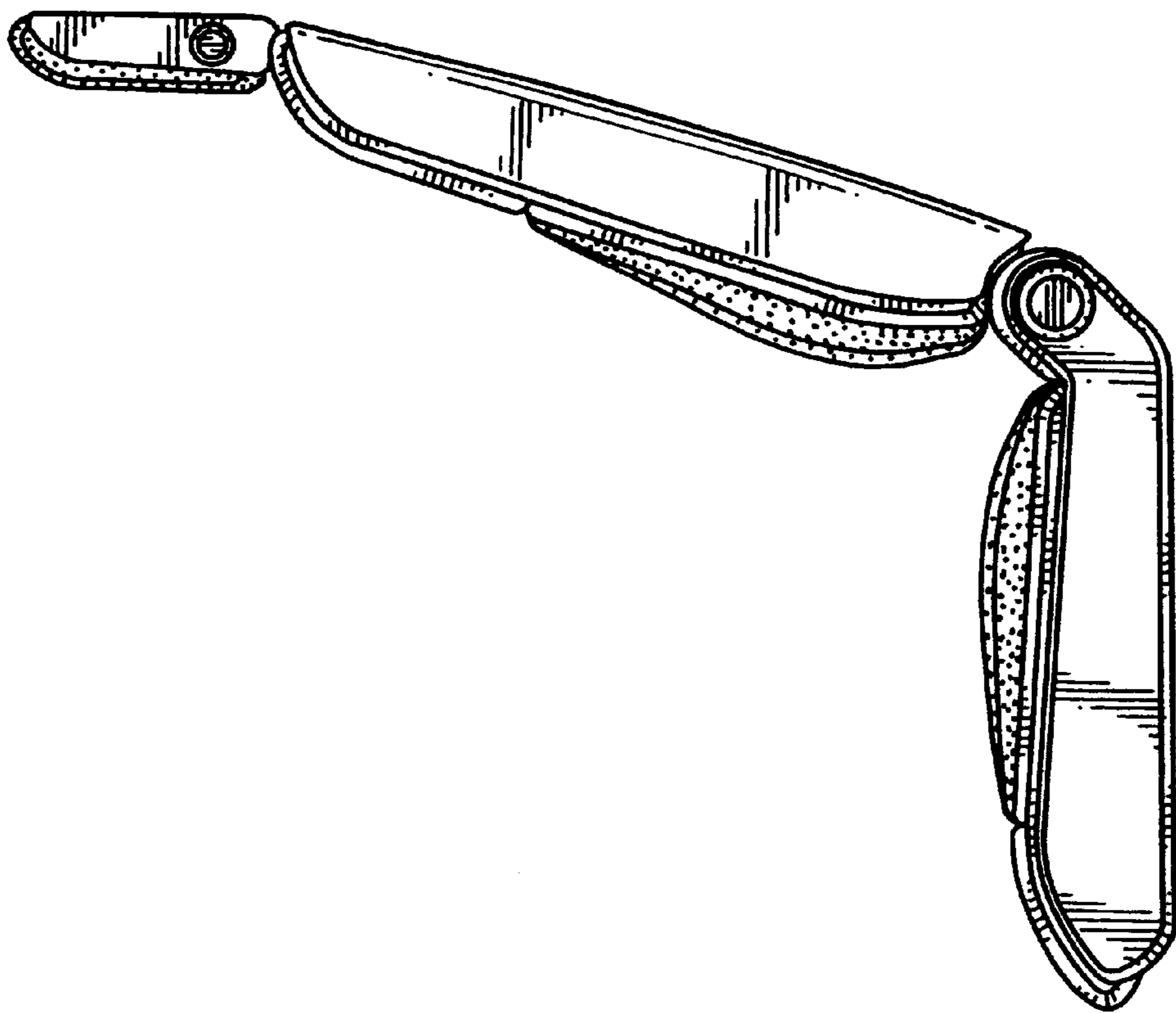


FIG.3

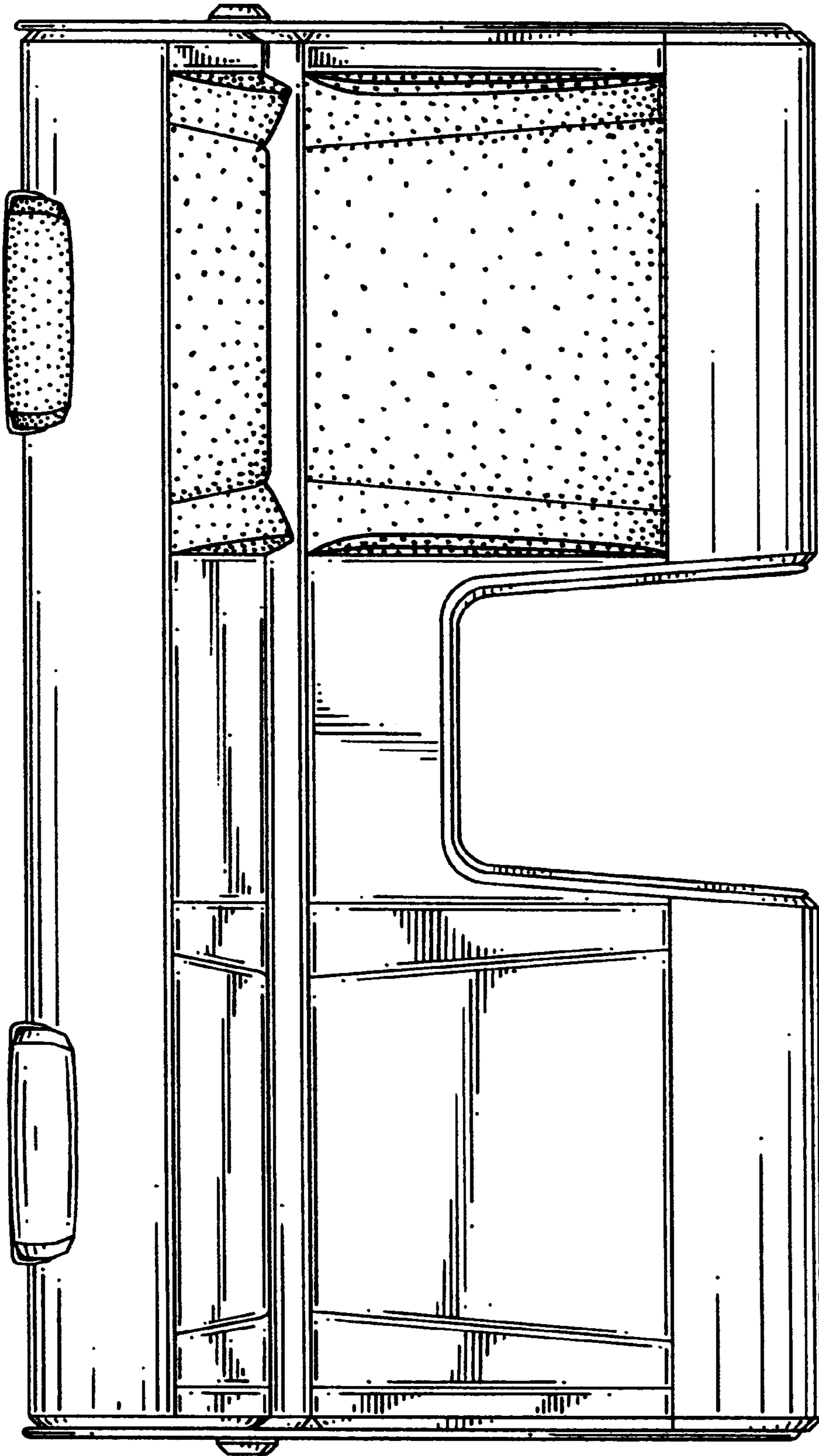


FIG.4

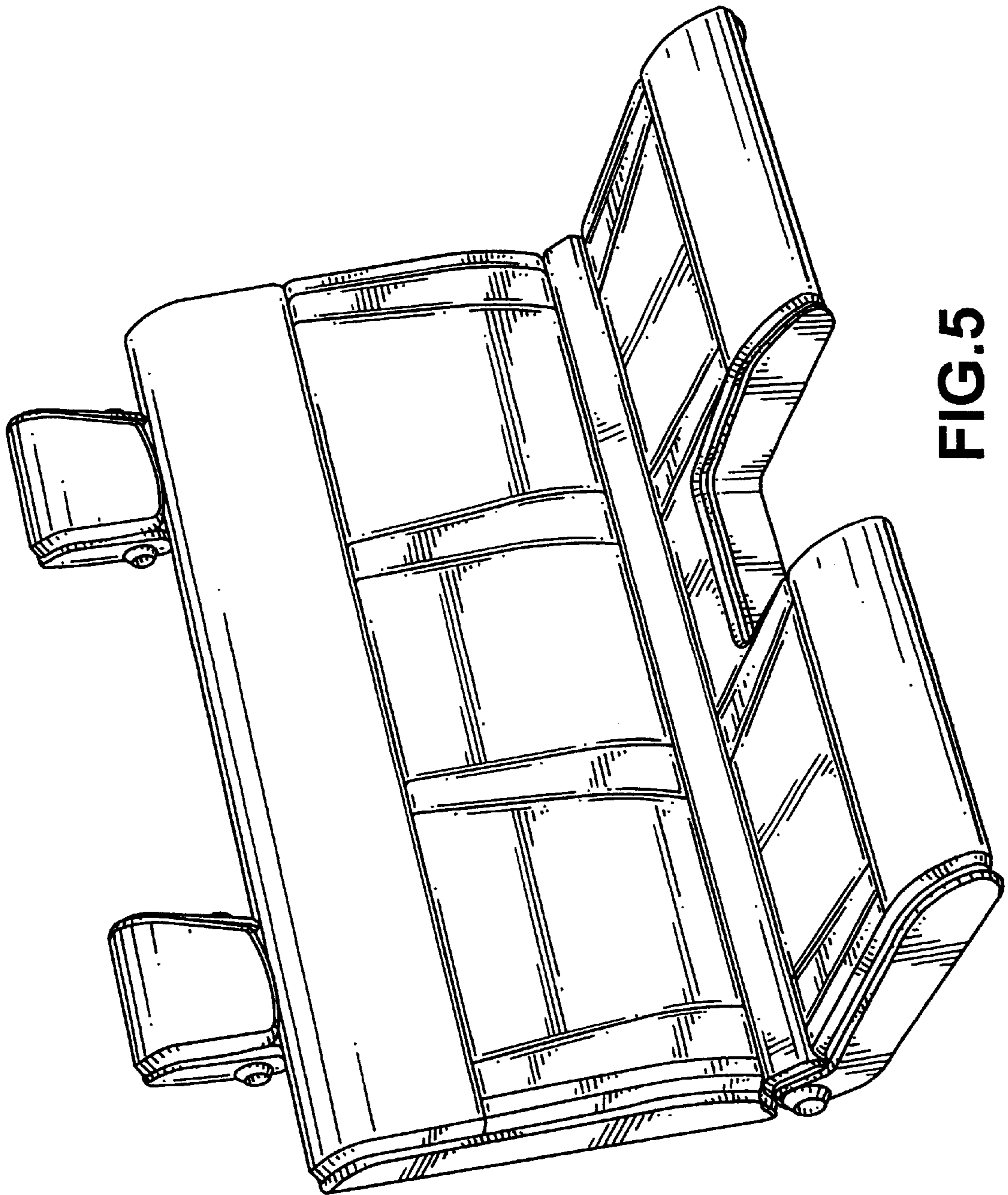


FIG. 5

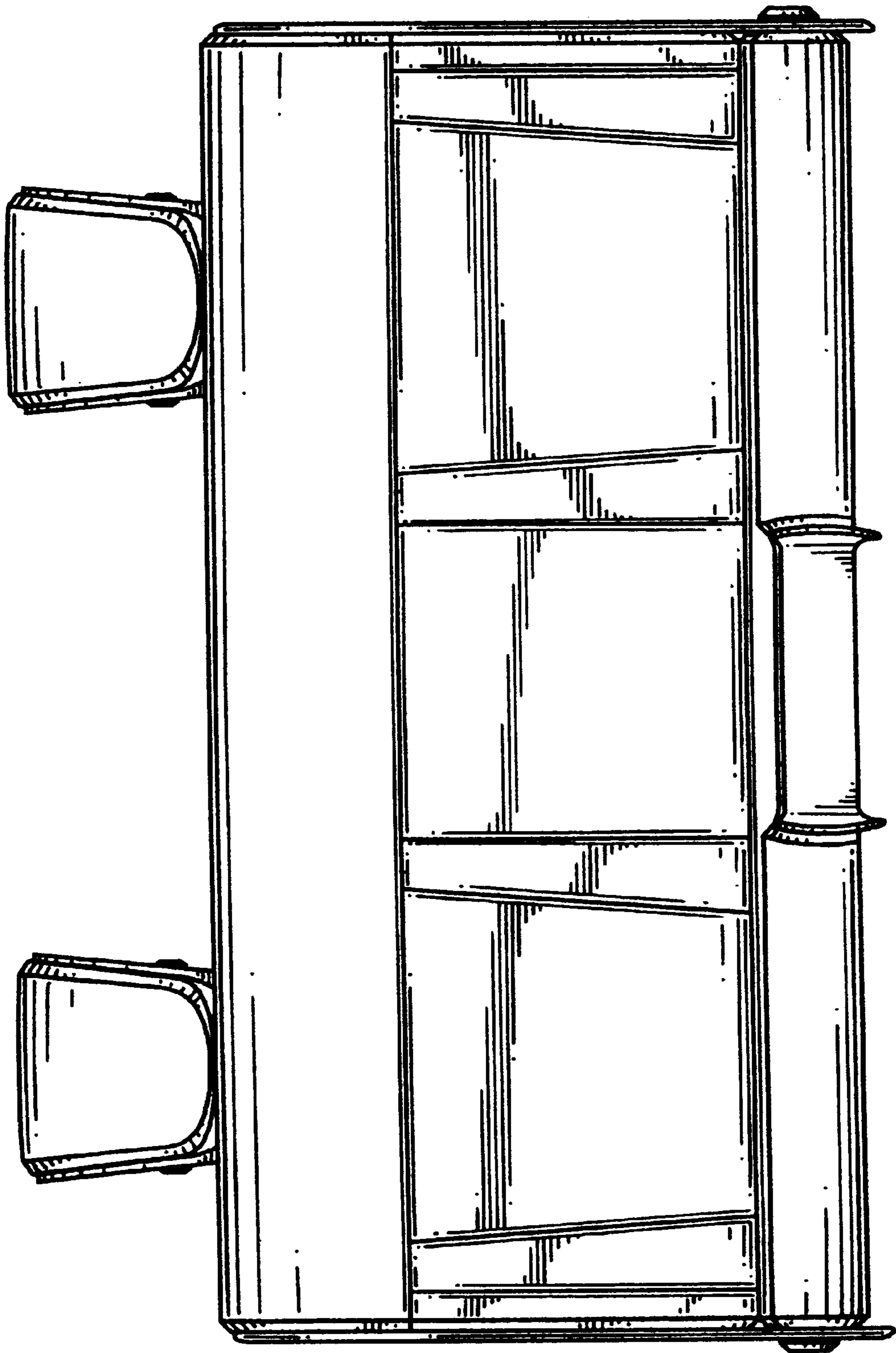


FIG.6

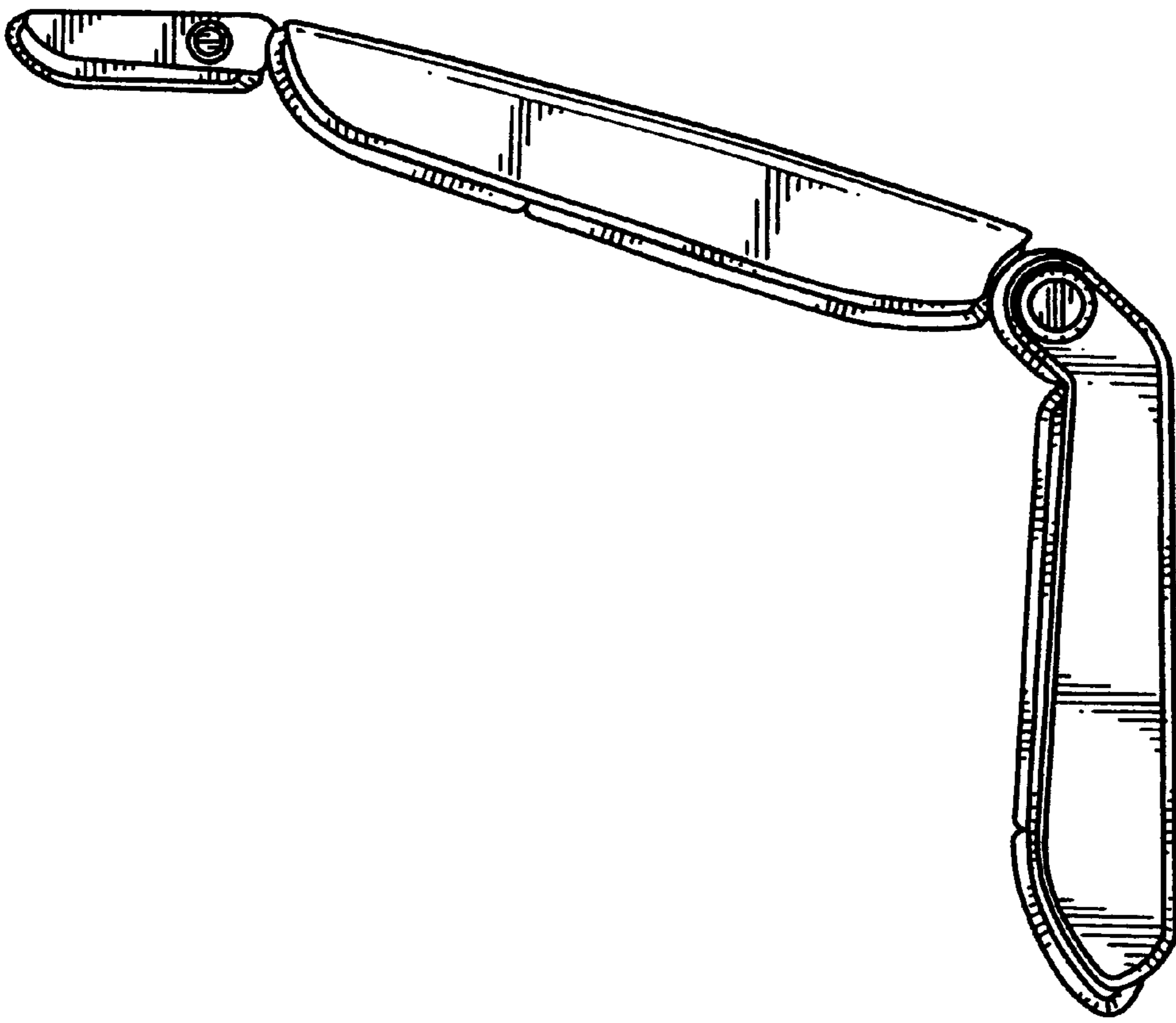


FIG. 7

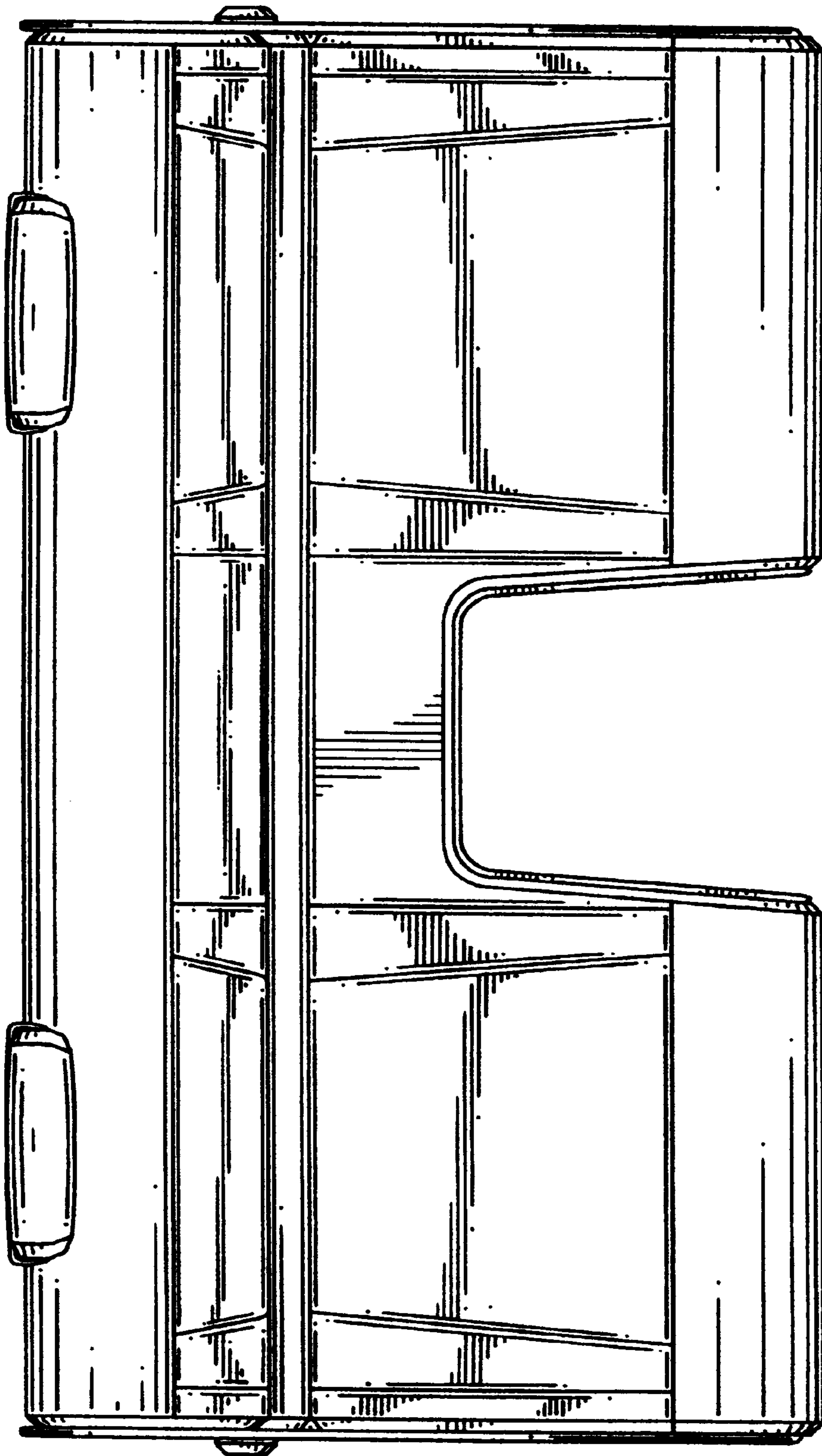


FIG. 8

UNITED STATES PATENT AND TRADEMARK OFFICE
CERTIFICATE OF CORRECTION

PATENT NO. : Des. 480,571 S
DATED : October 14, 2003
INVENTOR(S) : Simon Hon-Sok Yu

Page 1 of 1

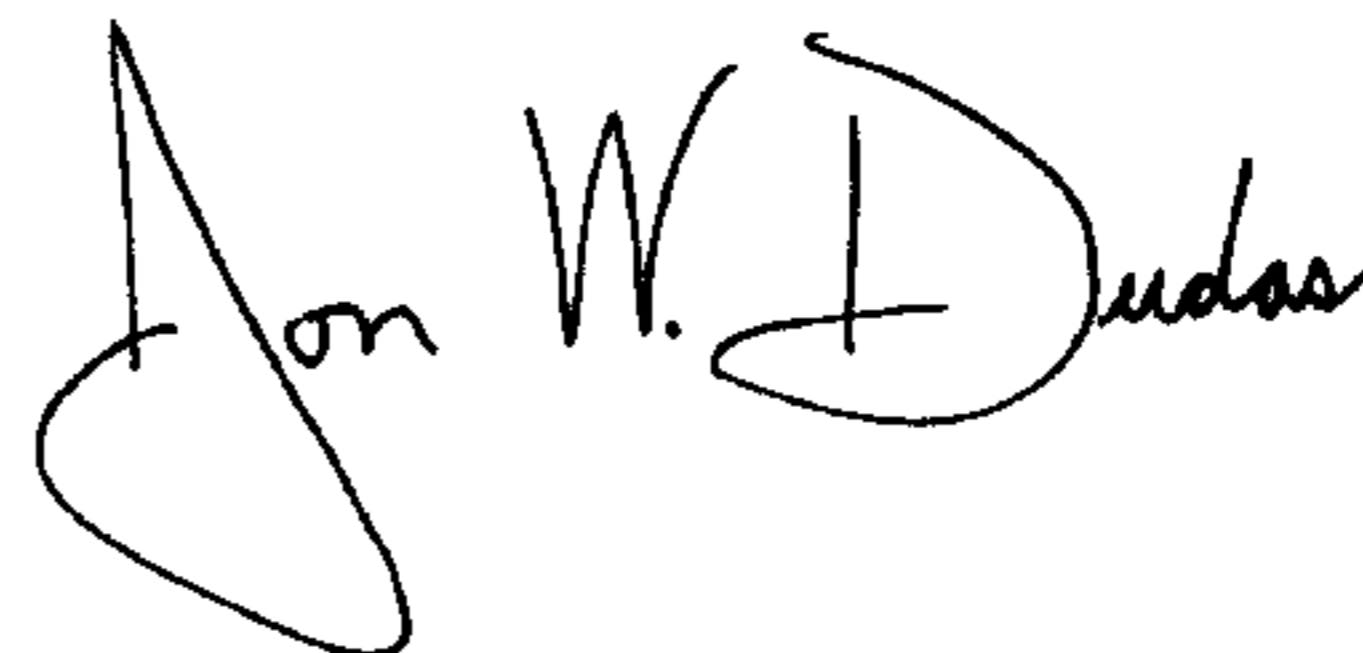
It is certified that error appears in the above-identified patent and that said Letters Patent is hereby corrected as shown below:

Title page,

Item [57], **DESCRIPTION**, "FIG. 7 is a front elevational view thereof" has been replaced with -- FIG. 7 is a side elevational view thereof --.

Signed and Sealed this

Twenty-seventh Day of January, 2004

A handwritten signature in black ink that reads "Jon W. Dudas". The signature is written in a cursive style with a large, looped initial "J".

JON W. DUDAS
Acting Director of the United States Patent and Trademark Office