



US00D480568S

(12) **United States Design Patent**  
**Haney et al.**

(10) **Patent No.:** **US D480,568 S**

(45) **Date of Patent:** **\*\* Oct. 14, 2003**

(54) **GLIDER BENCH**

(75) Inventors: **Thayne B. Haney**, Syracuse, UT (US);  
**Kent Ashby**, Logan, UT (US)

(73) Assignee: **Lifetime Products, Inc.**, Clearfield, UT (US)

(\*\*) Term: **14 Years**

(21) Appl. No.: **29/168,320**

(22) Filed: **Sep. 30, 2002**

**Related U.S. Application Data**

(62) Division of application No. 29/160,295, filed on May 8, 2002.

(51) **LOC (7) Cl.** ..... **06-01**

(52) **U.S. Cl.** ..... **D6/344**

(58) **Field of Search** ..... D6/334, 335, 344,  
D6/346, 347, 370, 371, 373, 381, 500,  
501, 502; 297/273, 281, 452.18, 452.63

(56) **References Cited**

**U.S. PATENT DOCUMENTS**

1,271,453 A	7/1918	Elzey	
1,325,358 A	12/1919	Elzey	
D103,956 S	4/1937	Rink	
D121,462 S	7/1940	Tabb	
D135,777 S	* 6/1943	Smith	..... D6/347
D153,162 S	* 3/1949	Nelems	..... D6/347
D154,356 S	* 7/1949	Allmand	..... D6/347

D165,835 S	2/1952	Glass	
3,047,334 A	7/1962	Vanderminden	
D355,783 S	* 2/1995	Noll	..... D6/381
D419,004 S	1/2000	Collins	
D423,801 S	5/2000	Noll	
D432,323 S	* 10/2000	Pomeroy et al.	..... D6/344
D434,573 S	12/2000	Noll	
6,199,950 B1	* 3/2001	Noll	..... 297/273

\* cited by examiner

*Primary Examiner*—Doris V. Coles

*Assistant Examiner*—Mimosa De

(74) *Attorney, Agent, or Firm*—Workman, Nydegger & Seeley

(57) **CLAIM**

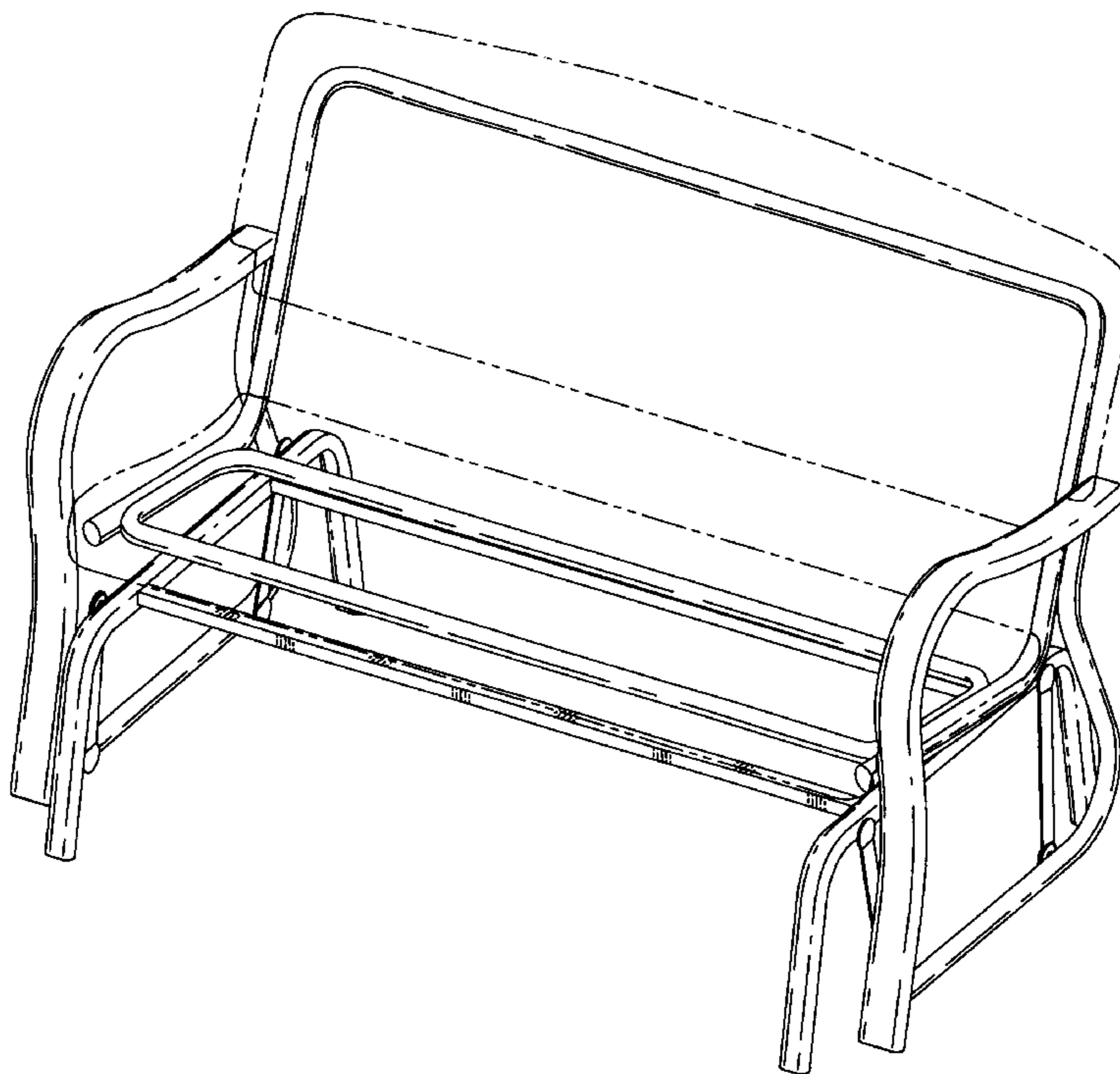
The ornamental design for a glider bench, as shown and described.

**DESCRIPTION**

FIG. 1 is a perspective view of a glider bench in accordance with a preferred embodiment of the present invention; FIG. 2 is a front view of the glider bench shown in FIG. 1; FIG. 3 is a back view of the glider bench shown in FIG. 1; FIG. 4 is a left side view of the glider bench shown in FIG. 1, with the right side view being a mirror image thereof; FIG. 5 is a top view of the glider bench shown in FIG. 1; and, FIG. 6 is a bottom plan view of the glider bench shown in FIG. 1.

The broken lines shown in the figures are for illustrative purposes only and form no part of the claimed design.

**1 Claim, 3 Drawing Sheets**



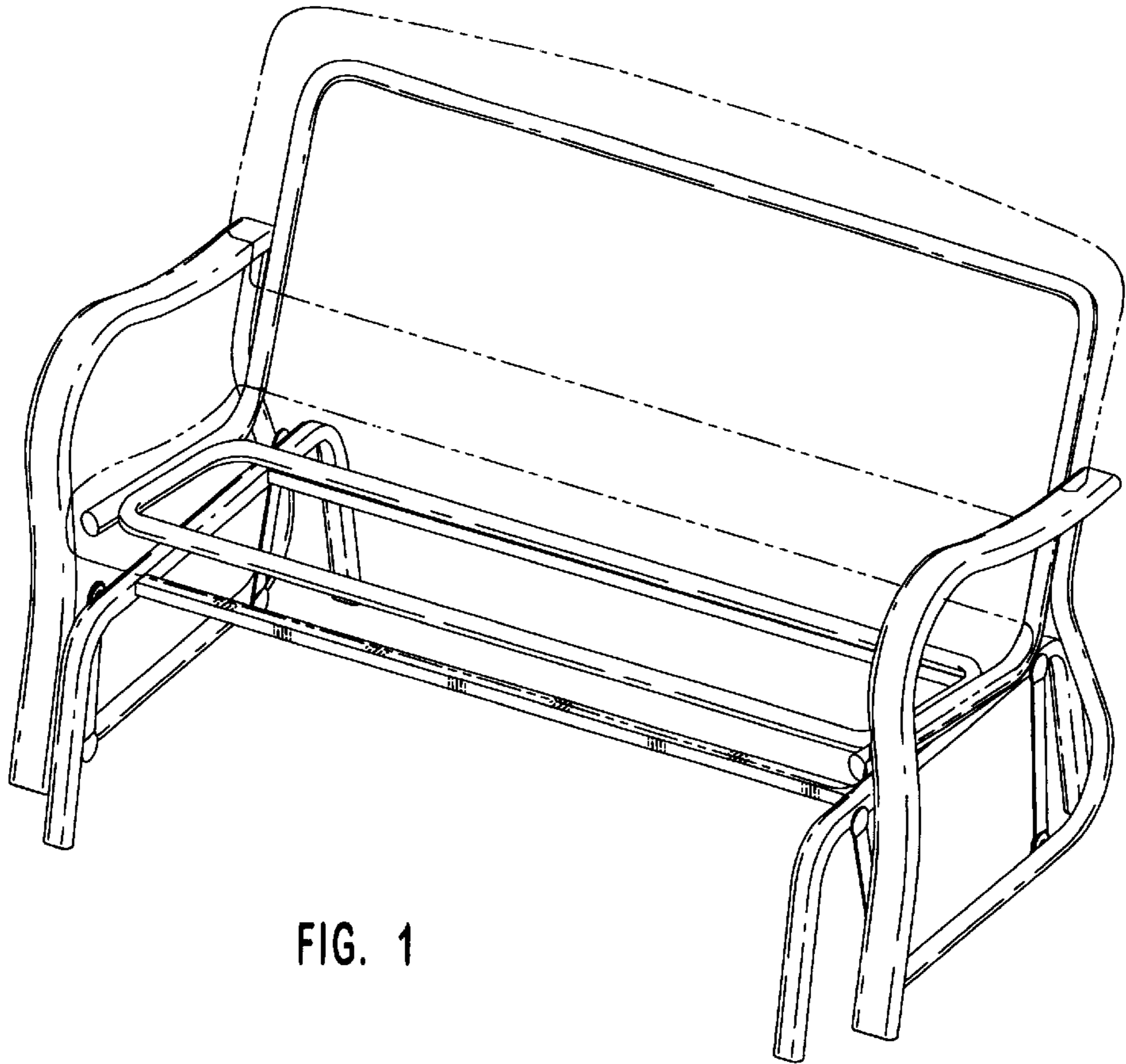


FIG. 1

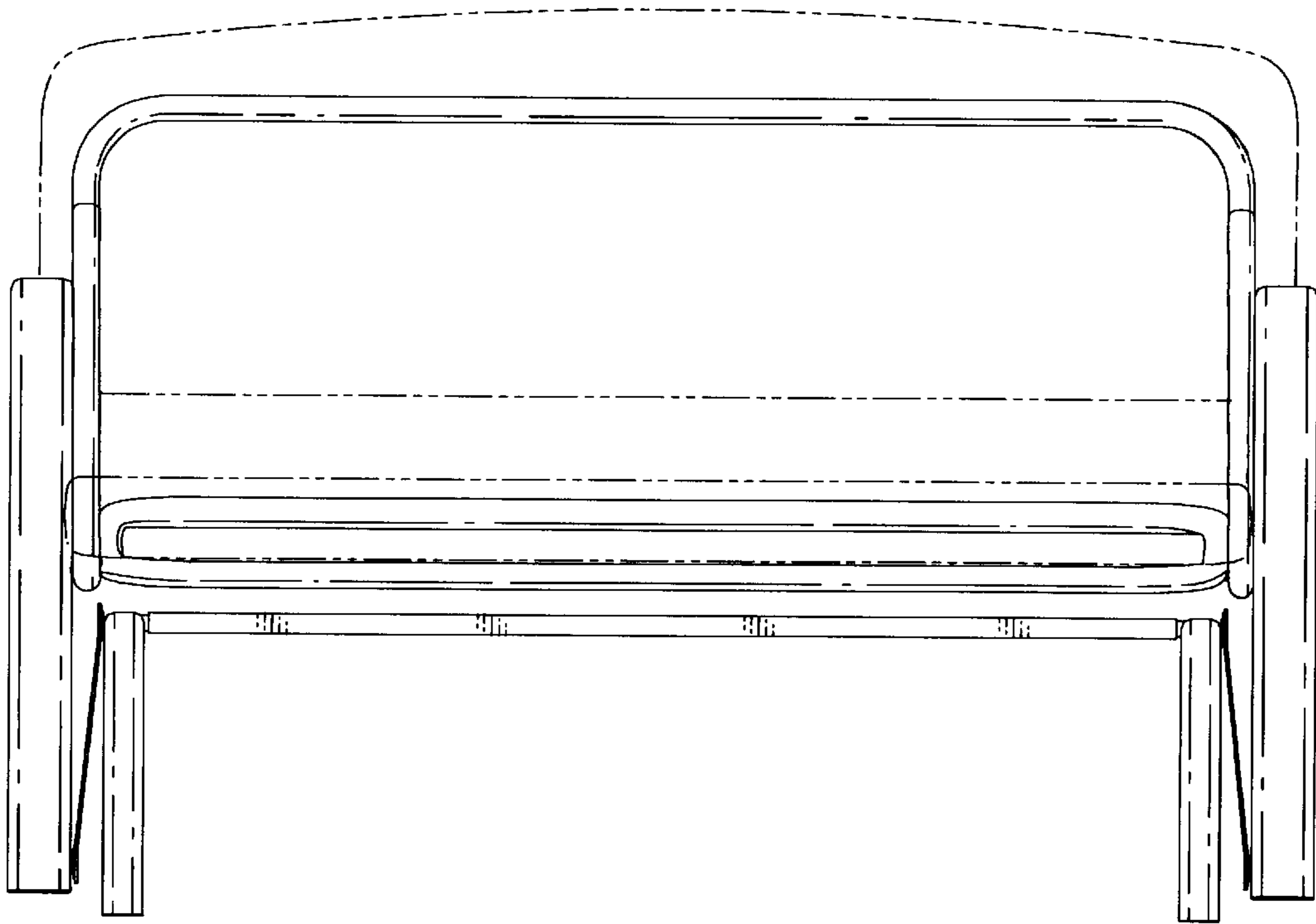


FIG. 2

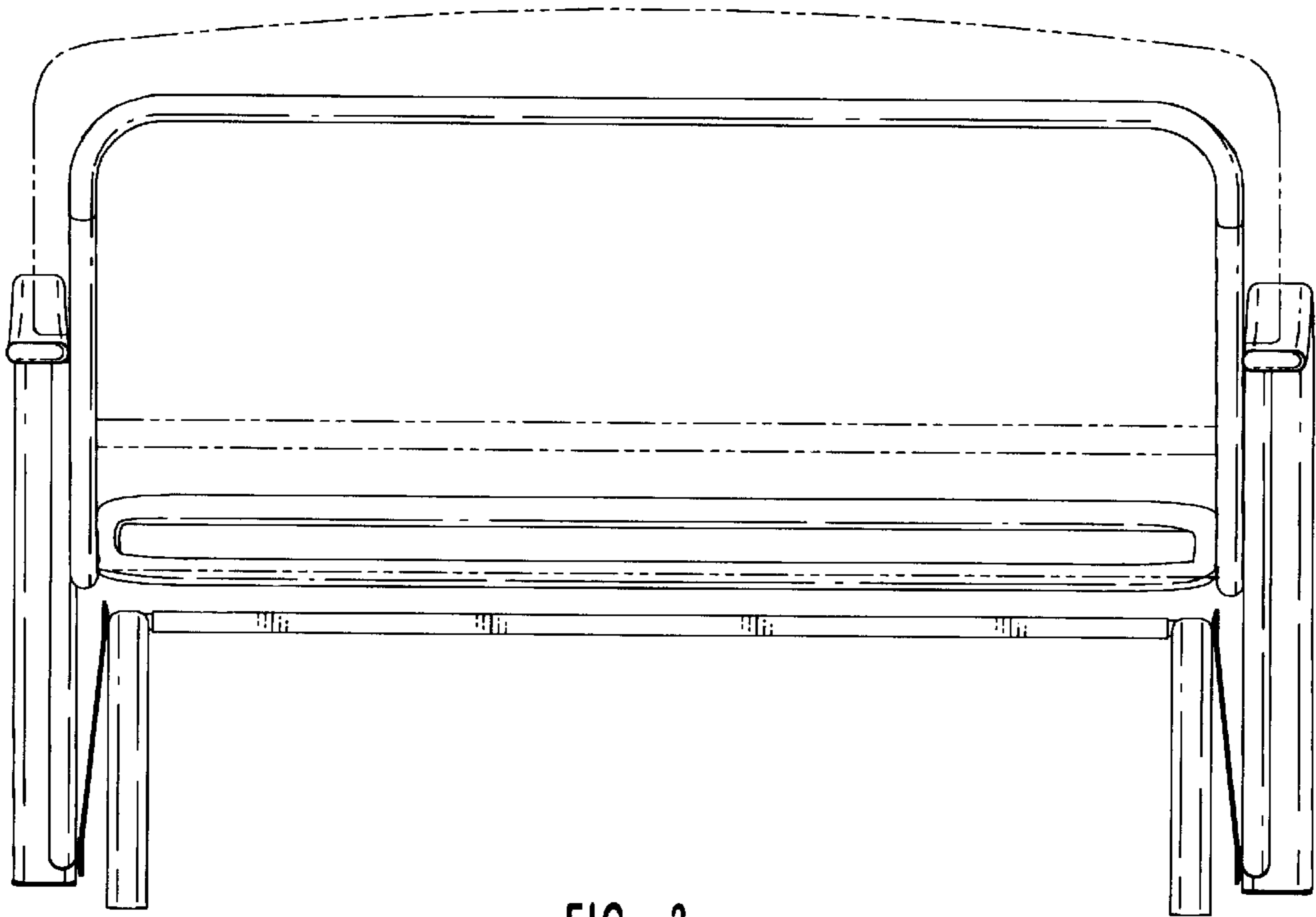


FIG. 3

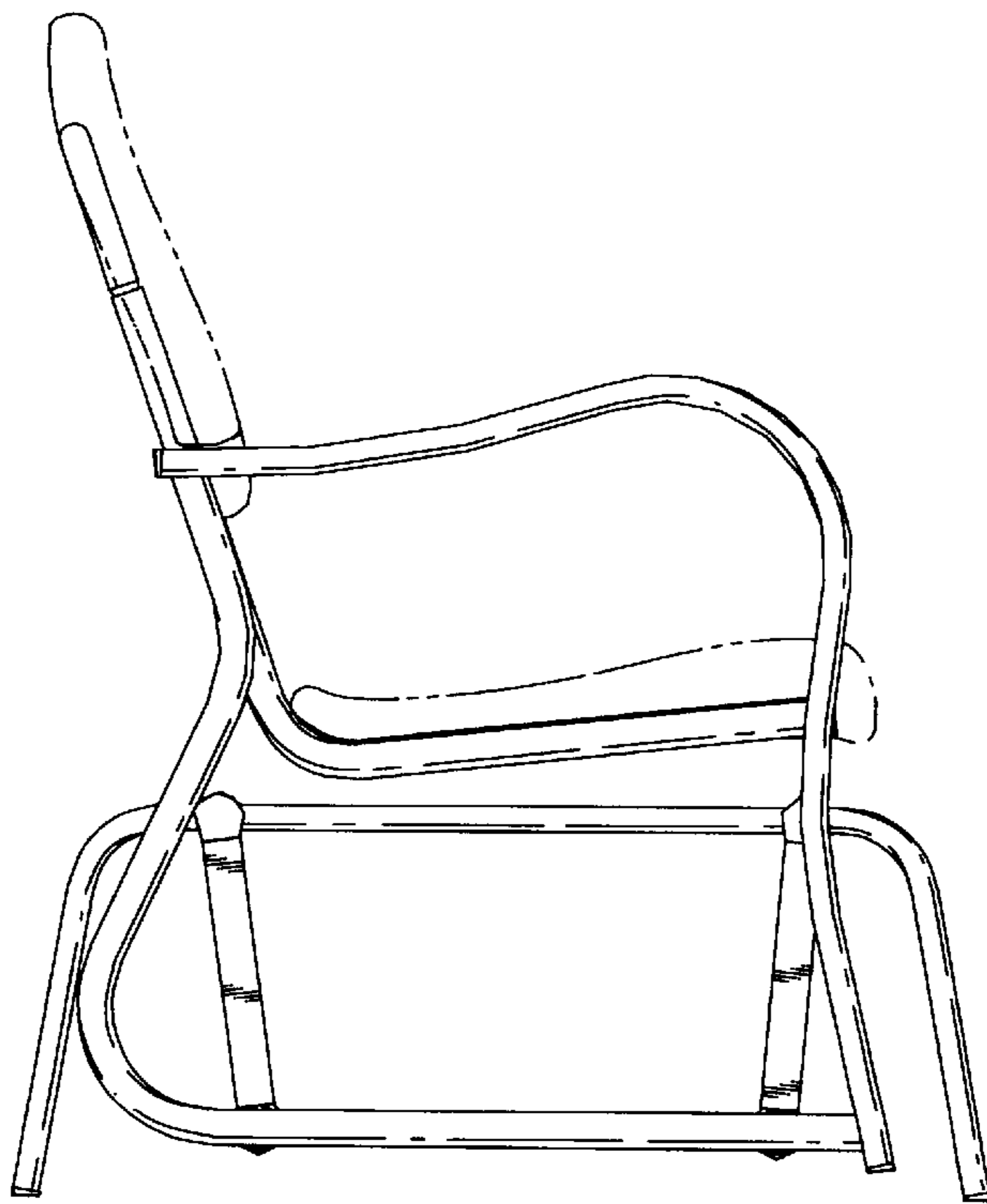


FIG. 4

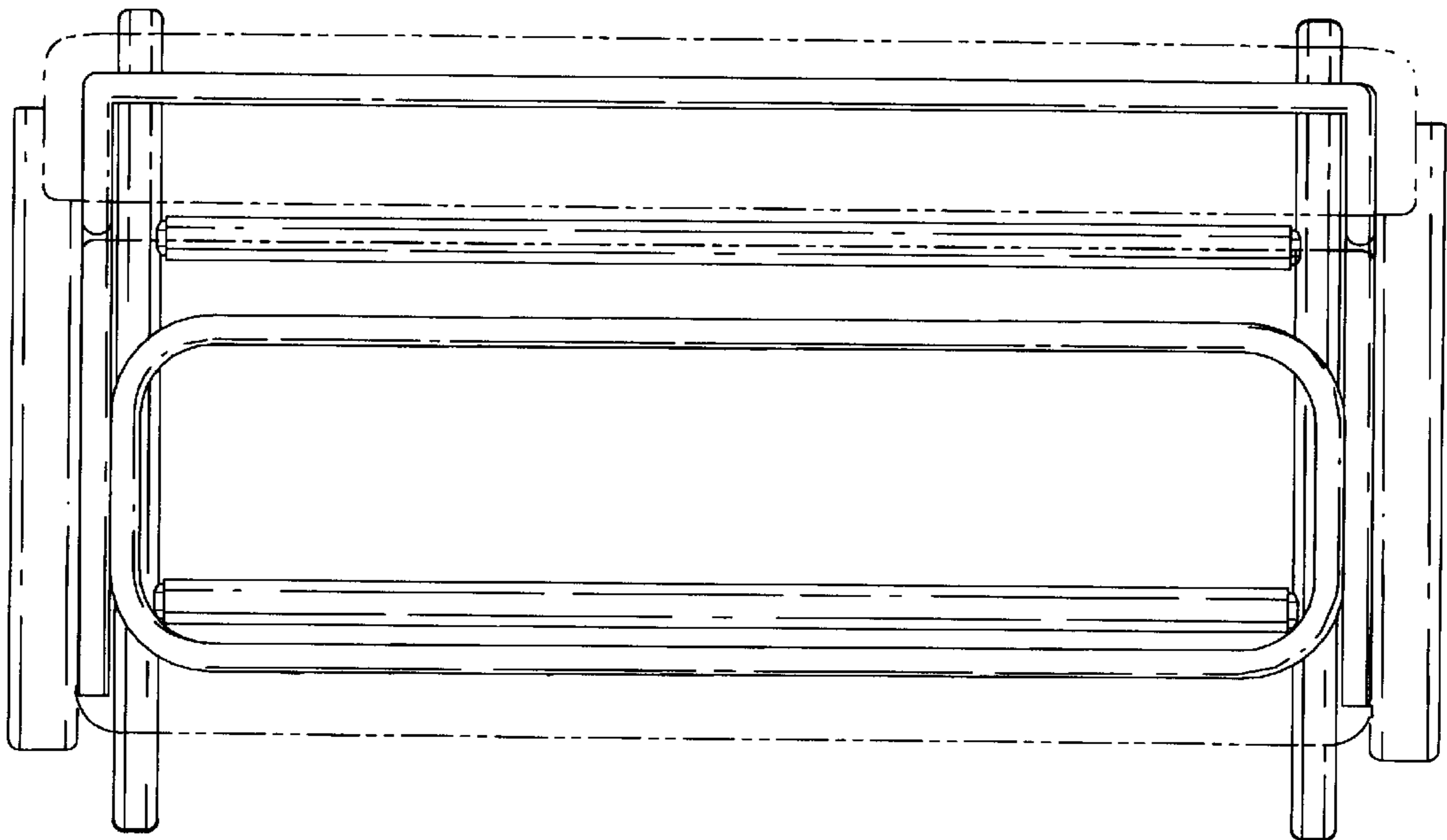


FIG. 5

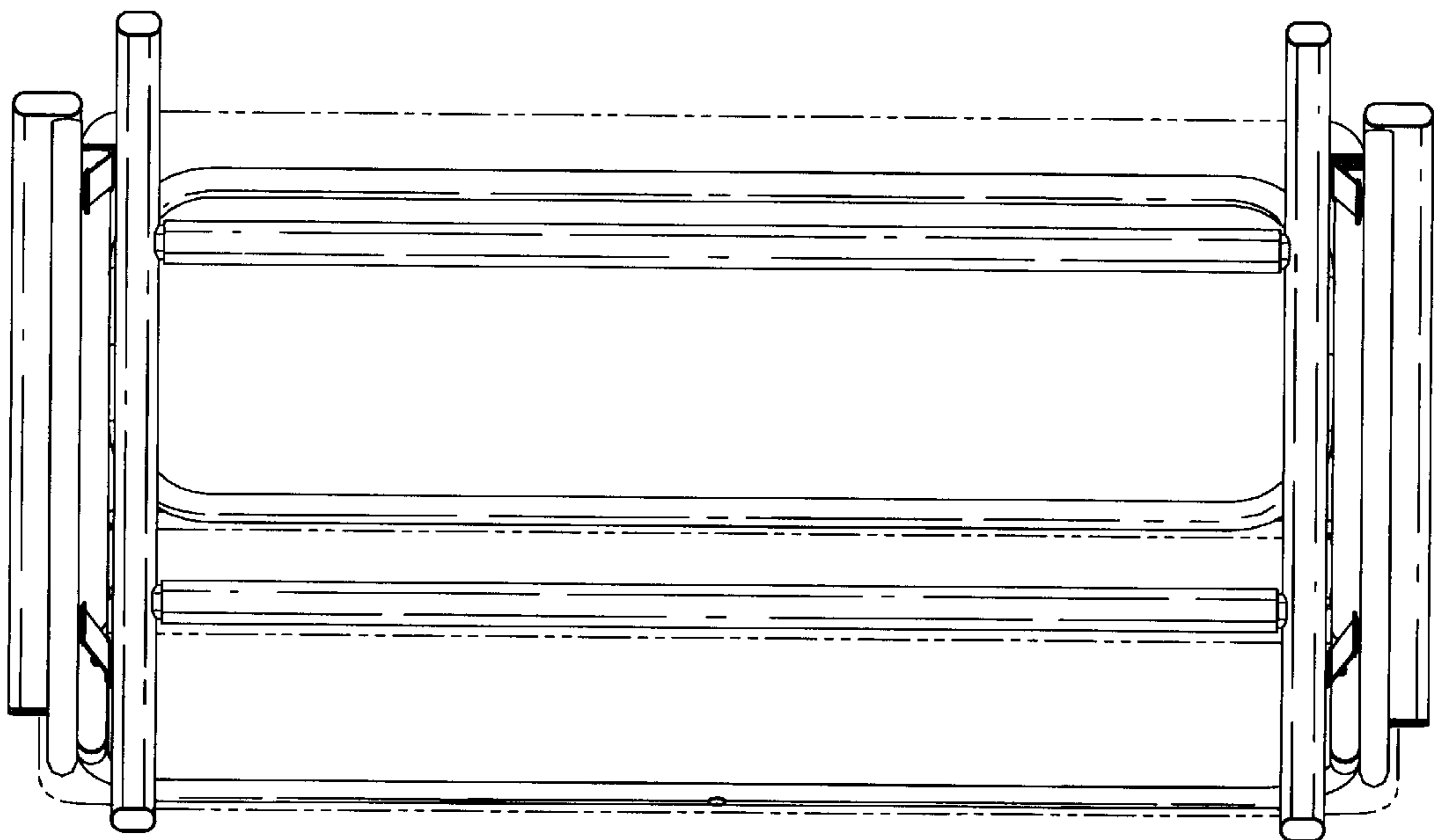


FIG. 6

UNITED STATES PATENT AND TRADEMARK OFFICE  
**CERTIFICATE OF CORRECTION**

PATENT NO. : Des. 480,568 S  
DATED : October 14, 2003  
INVENTOR(S) : Thayne B. Haney and Kent Ashby

Page 1 of 1

It is certified that error appears in the above-identified patent and that said Letters Patent is hereby corrected as shown below:

Title page,

Item [56], **References Cited**, U.S. PATENT DOCUMENTS, insert the following references:

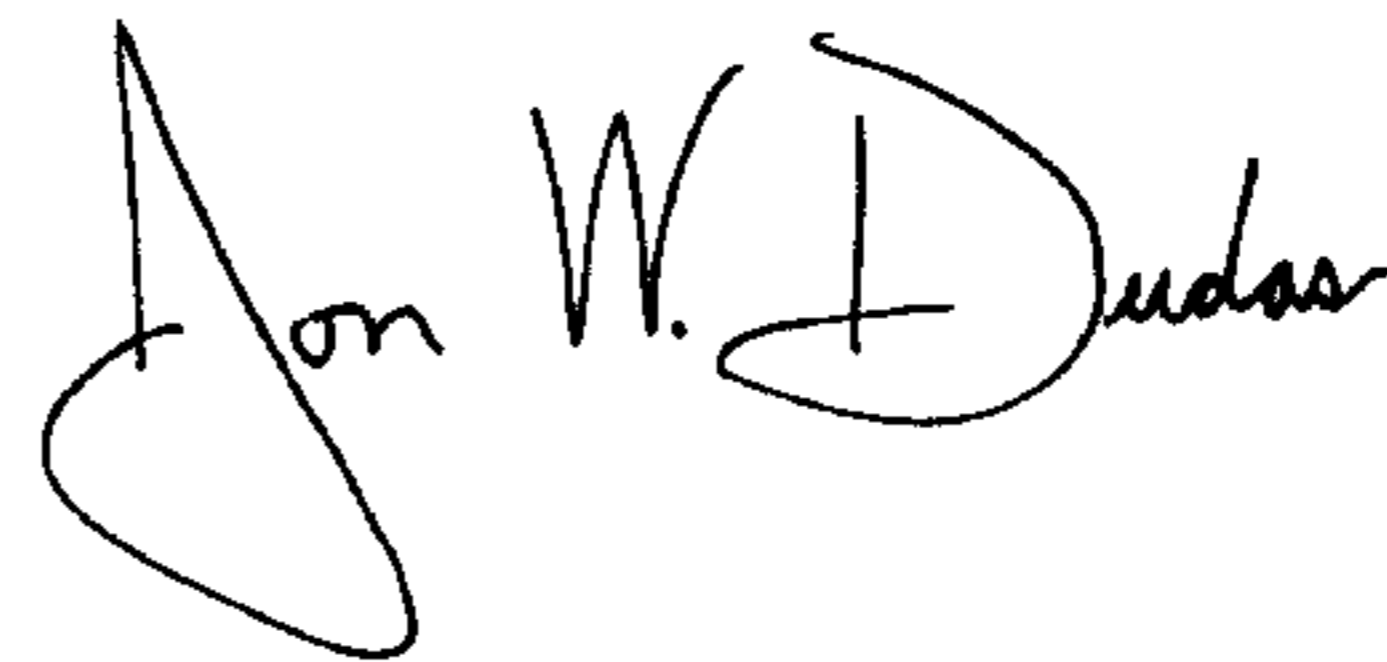
-- 756,188 1/1955 Great Britain --; and

-- OTHER PUBLICATIONS

Jack-Post Outdoor Furniture/Outdoor Products/Building Product Brochure, 1989 --

Signed and Sealed this

Seventeenth Day of February, 2004



JON W. DUDAS

*Acting Director of the United States Patent and Trademark Office*