



US00D480565S

(12) **United States Design Patent**  
**Bond et al.**

(10) **Patent No.:** **US D480,565 S**

(45) **Date of Patent:** **\*\* Oct. 14, 2003**

(54) **LOCKER MIRROR**

(75) Inventors: **Stanley J. Bond**, Indianapolis, IN (US);  
**Melany L. Whalin**, Indianapolis, IN  
(US); **Dan Alteimer**, Grafton, WI (US);  
**Peter Schmidt**, Chicago, IL (US)

(73) Assignee: **Woods Industries, Inc.**, Carmel, IN  
(US)

(\*\*) Term: **14 Years**

(21) Appl. No.: **29/174,865**

(22) Filed: **Jan. 24, 2003**

(51) **LOC (7) Cl.** ..... **06-07**

(52) **U.S. Cl.** ..... **D6/300**

(58) **Field of Search** ..... D6/300-303, 308-314;  
40/700, 711, 714-716, 720-722, 732, 743,  
745, 765, 790, 798; 359/838, 871

(56) **References Cited**

**U.S. PATENT DOCUMENTS**

- D396,959 S \* 8/1998 Wolff ..... D6/301
- D425,314 S \* 5/2000 Au-Yeung ..... D6/310
- D435,353 S \* 12/2000 Chan ..... D6/308

\* cited by examiner

*Primary Examiner*—Janice E. Seeger  
(74) *Attorney, Agent, or Firm*—Pennie & Edmonds LLP

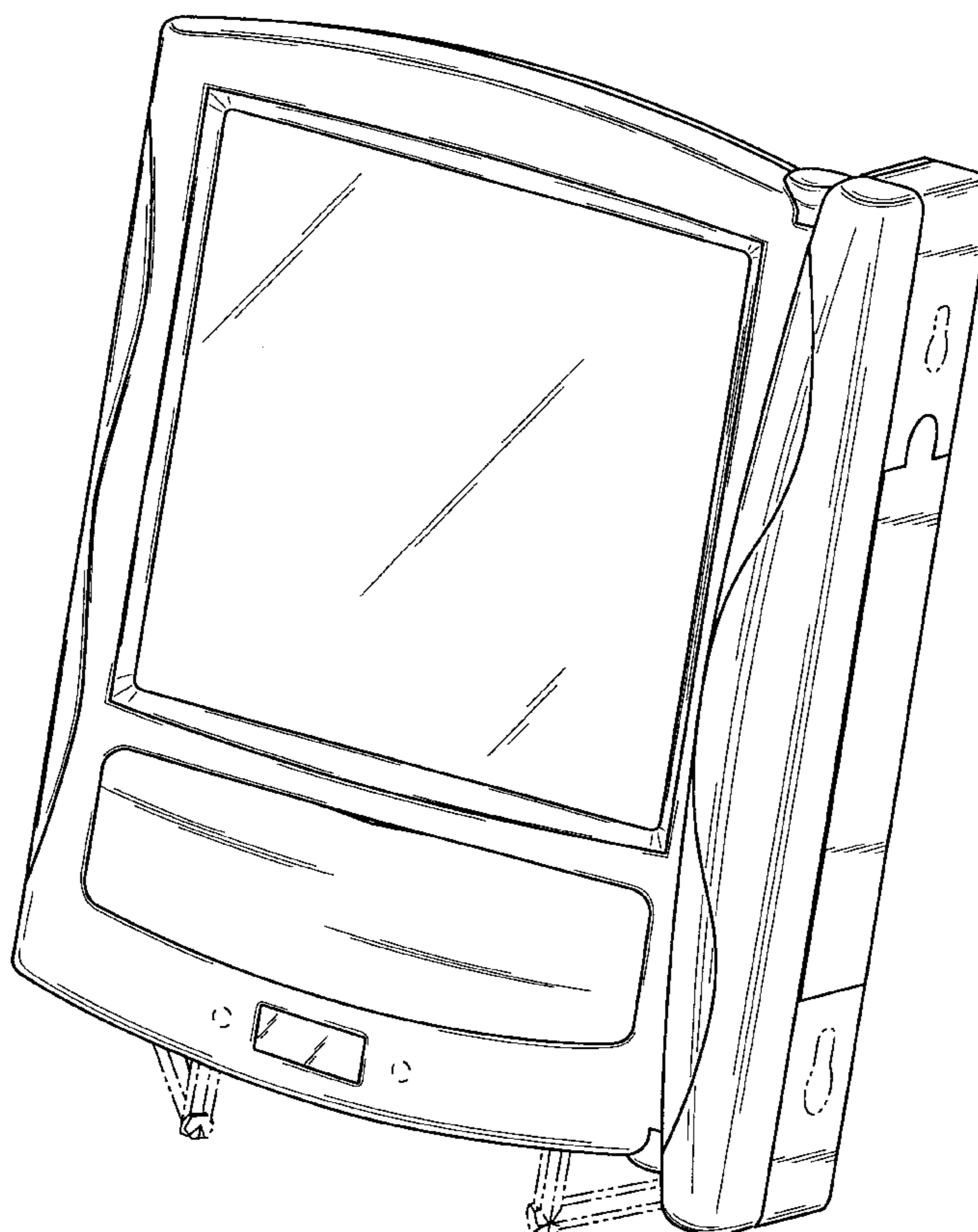
(57) **CLAIM**

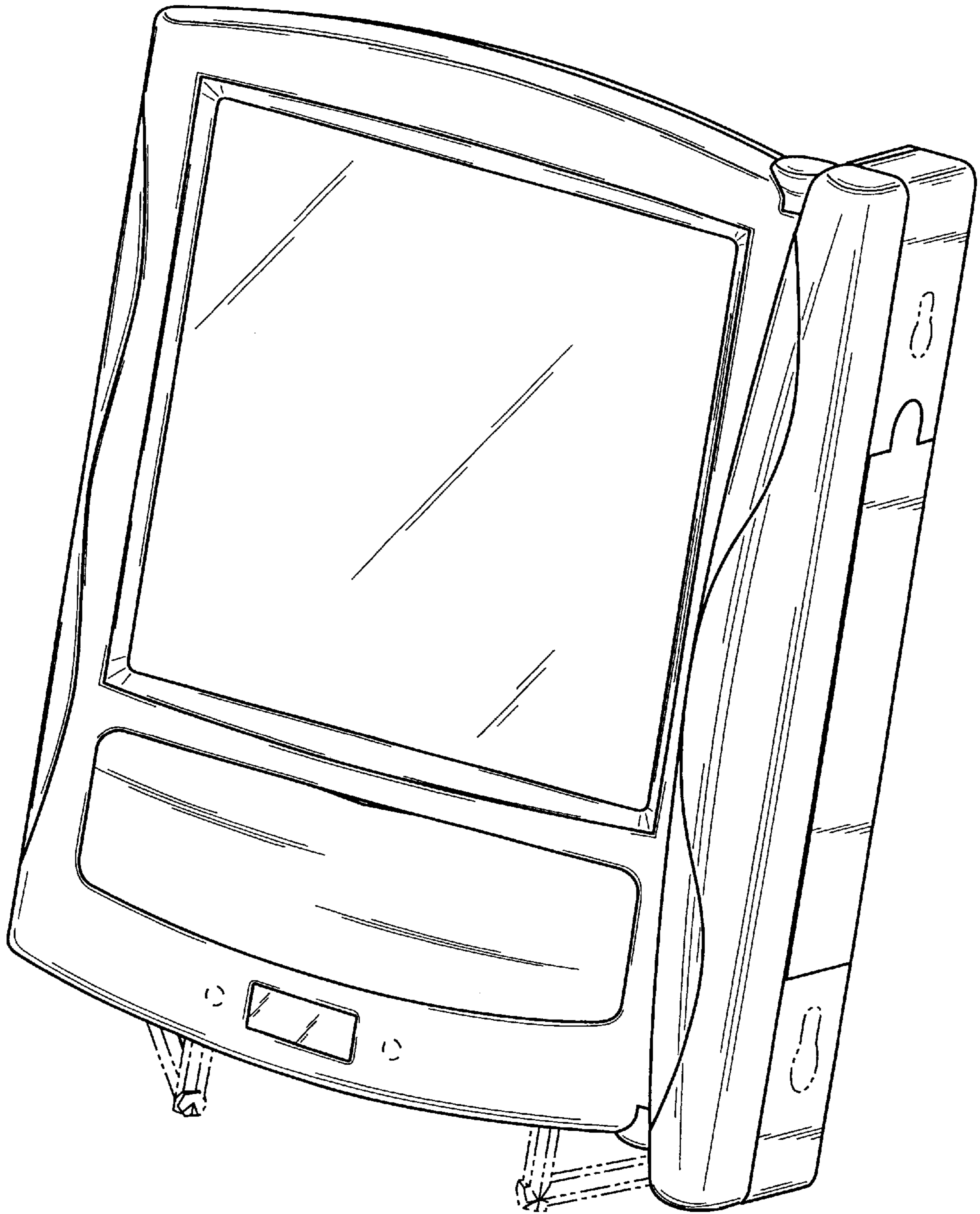
The ornamental design for a locker mirror, as shown and described.

**DESCRIPTION**

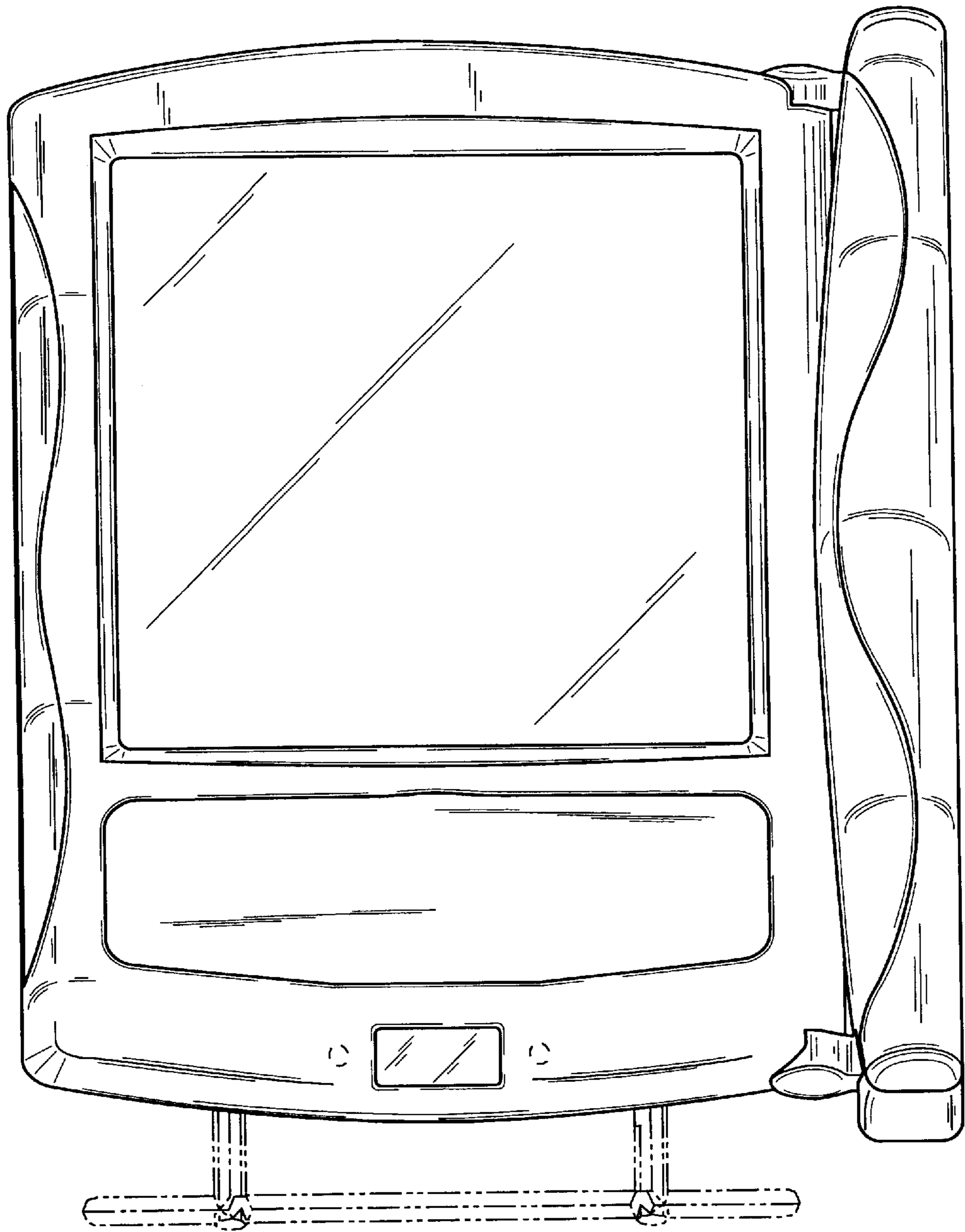
FIG. 1 is a perspective view of a locker mirror according to the present invention;  
 FIG. 2 is a front view thereof;  
 FIG. 3 is a rear view thereof;  
 FIG. 4 is a left side view thereof;  
 FIG. 5 is a right side view thereof;  
 FIG. 6 is a top view thereof;  
 FIG. 7 is a bottom view thereof;  
 FIG. 8 is a perspective view of the locker mirror shown in FIGS. 1-7 with a storage compartment in an open position;  
 FIG. 9 is a left side view of the locker mirror shown in FIGS. 1-7 with a storage compartment in an open position; and,  
 FIG. 10 is a top view of the locker mirror shown in FIGS. 1-7 with a storage compartment in an open position.  
 All broken lines in the above figures are for illustrative purposes only and form no part of the claimed design.

**1 Claim, 10 Drawing Sheets**

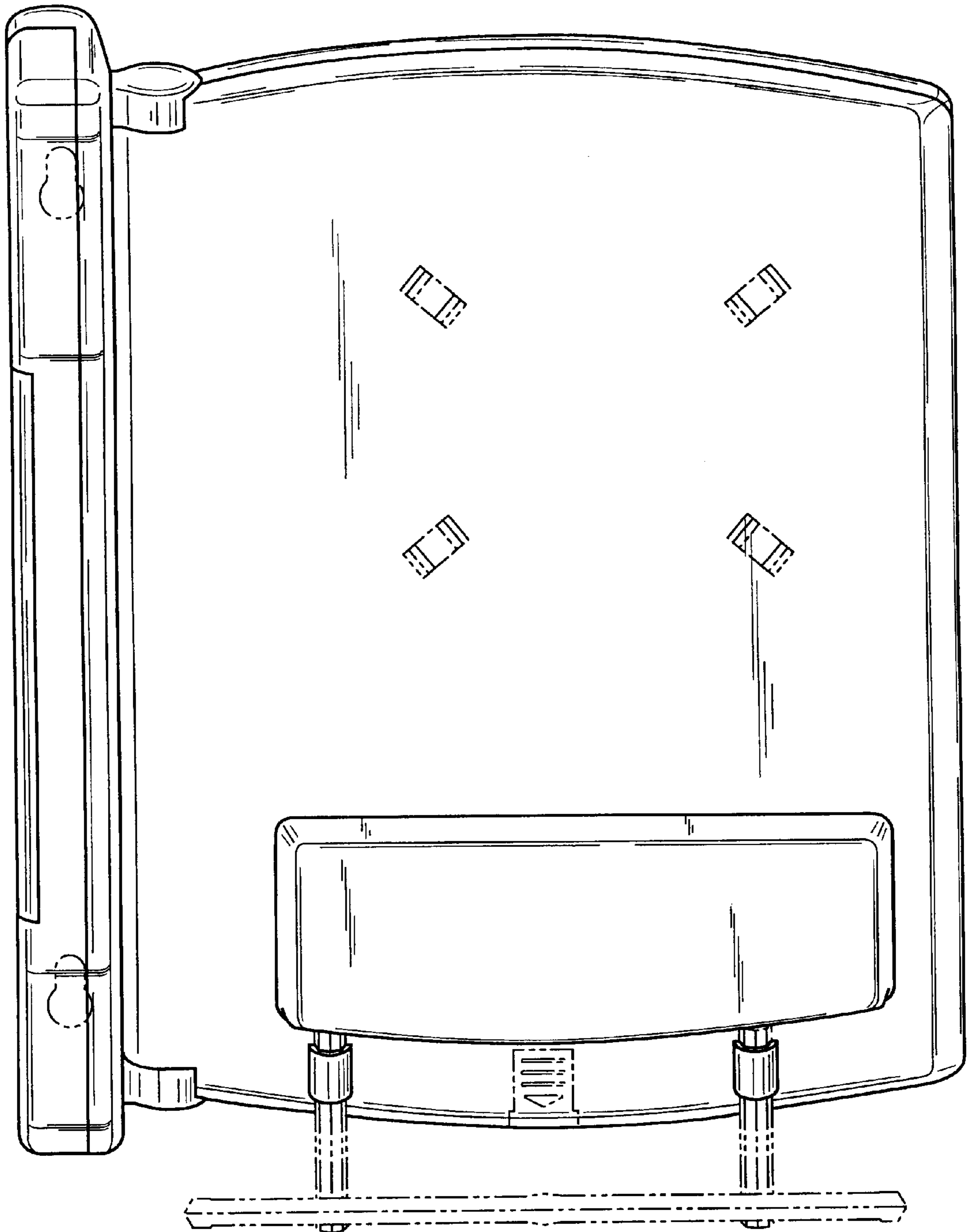




*Fig. 1*

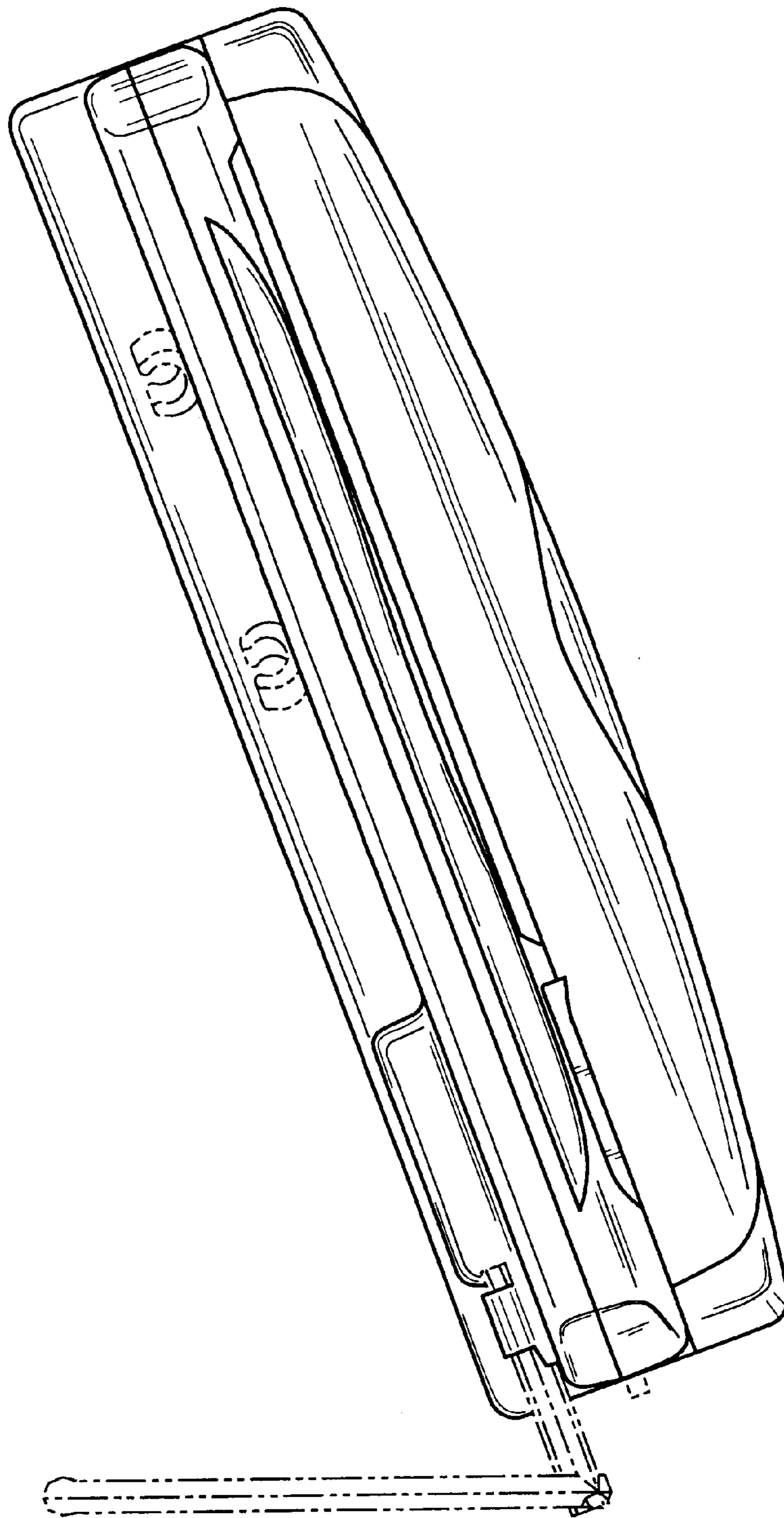


*Fig. 2*

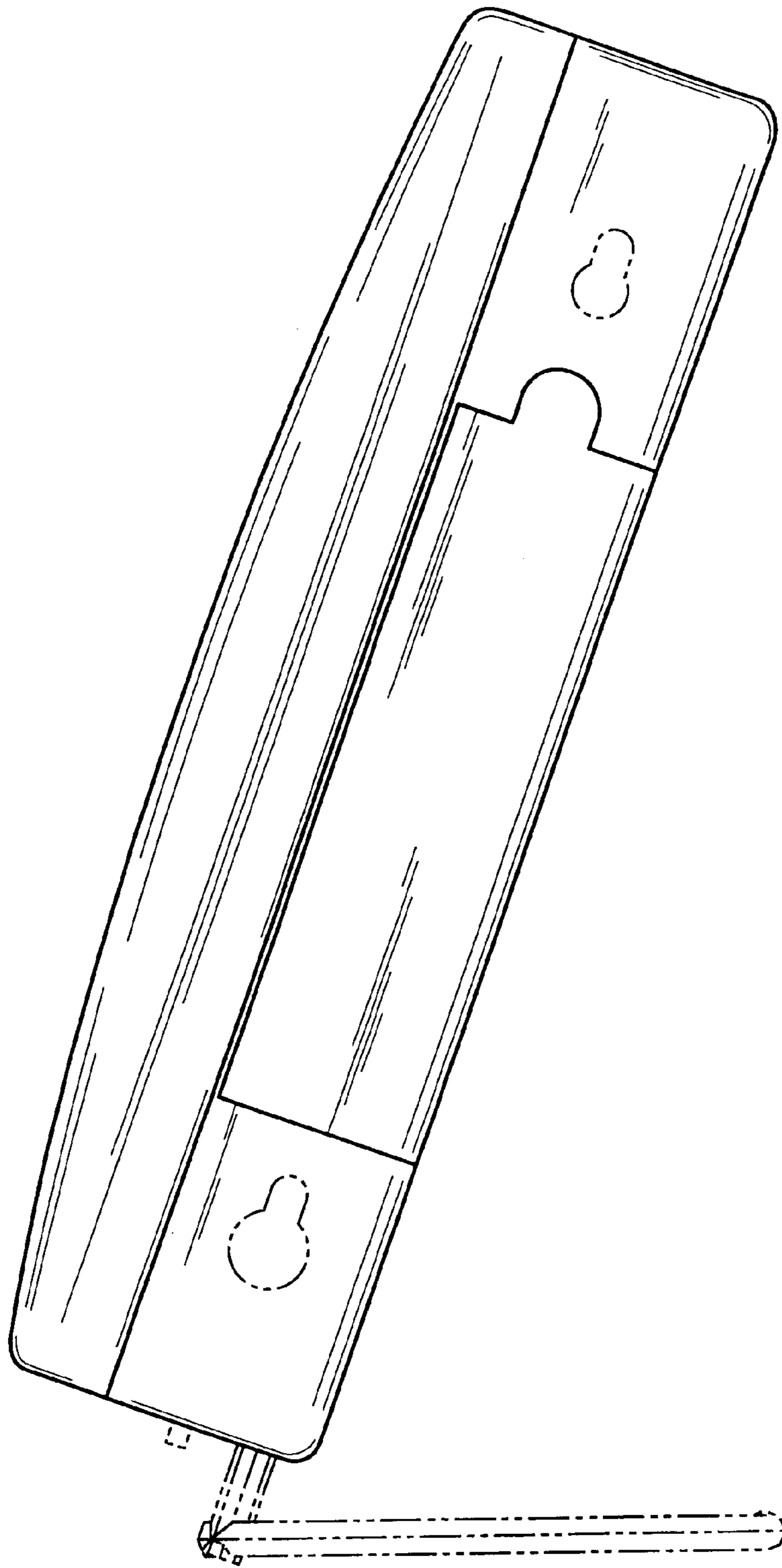


*Fig. 3*

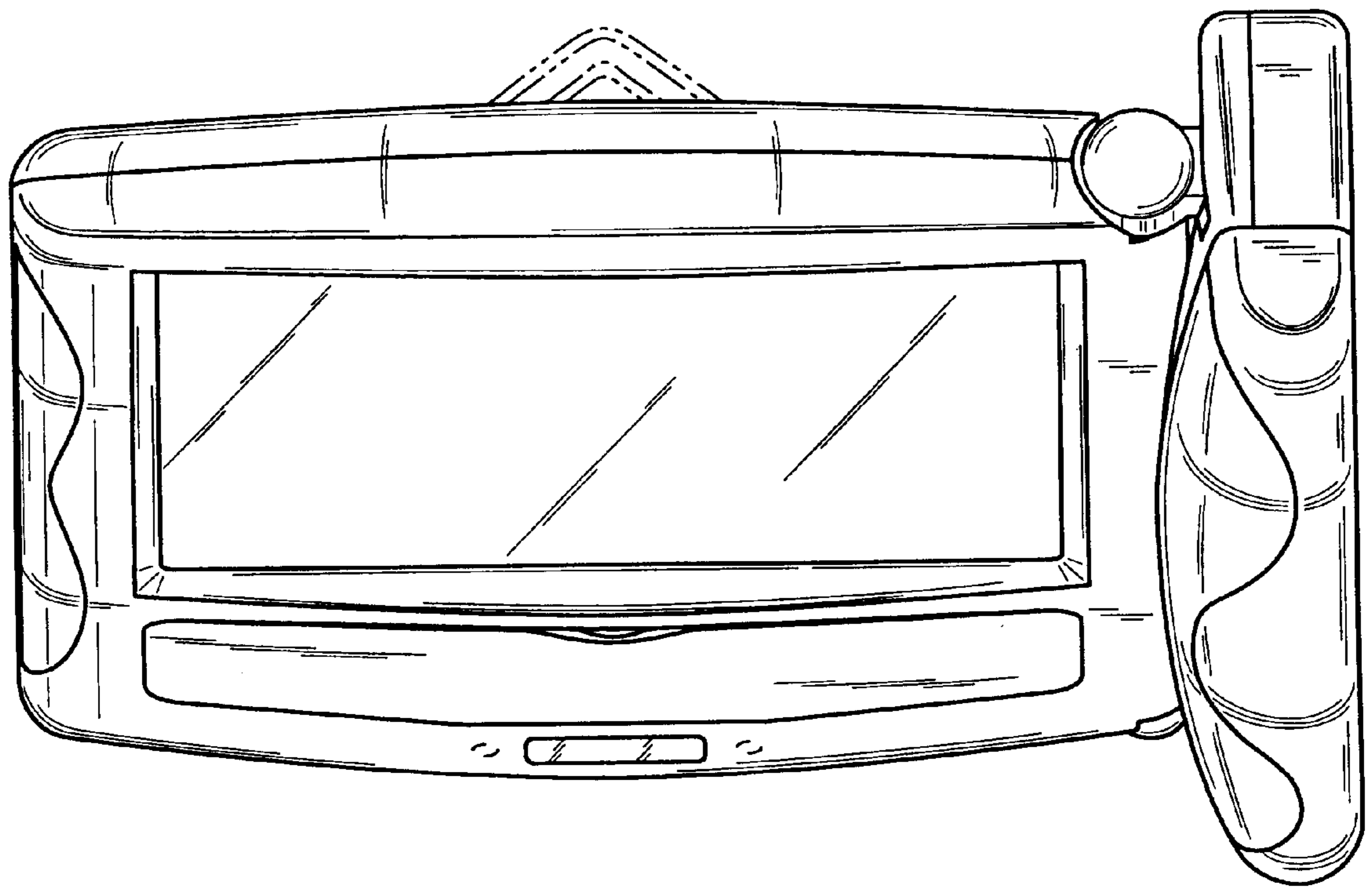




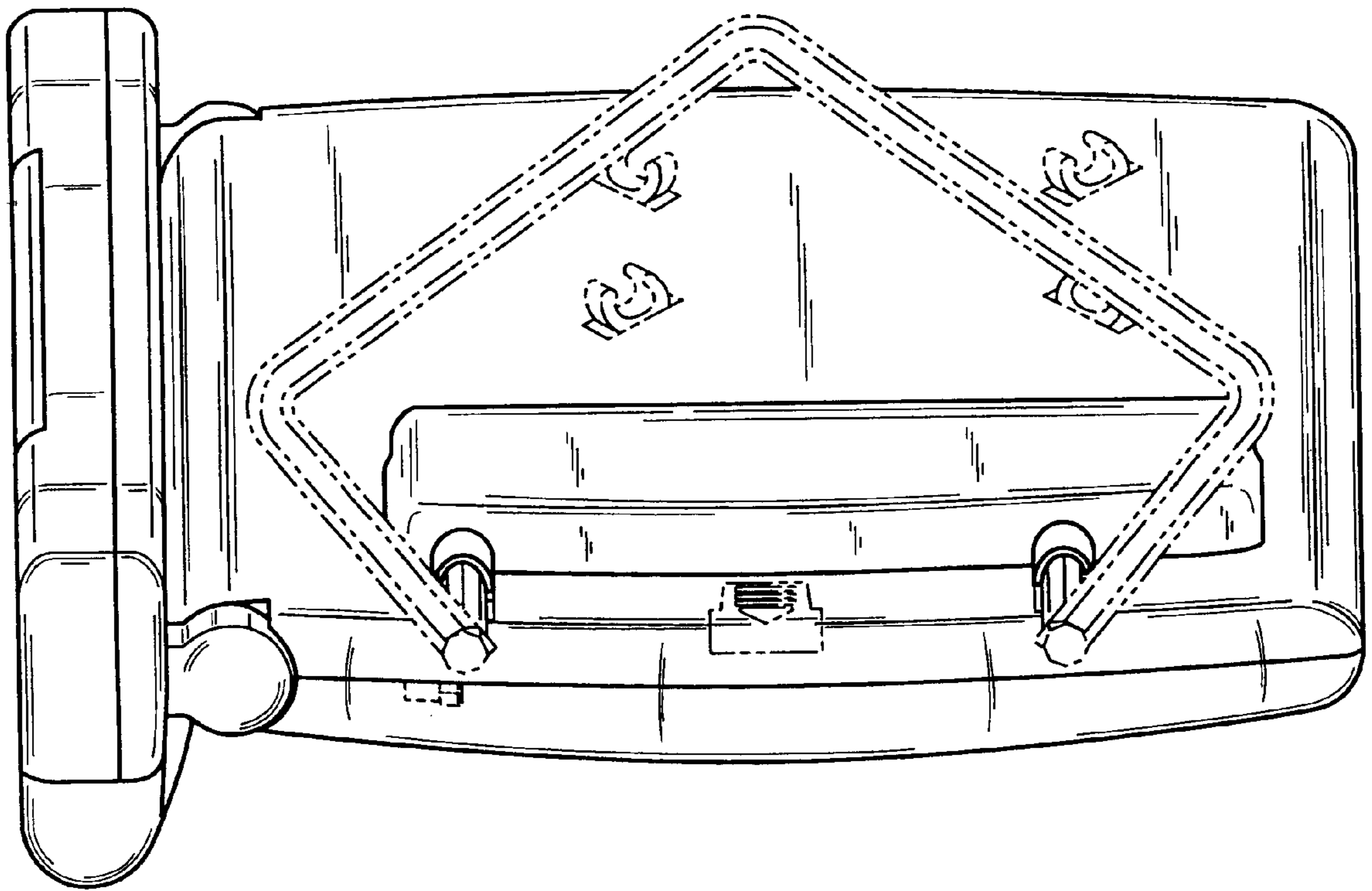
*Fig. 4*



*Fig. 5*

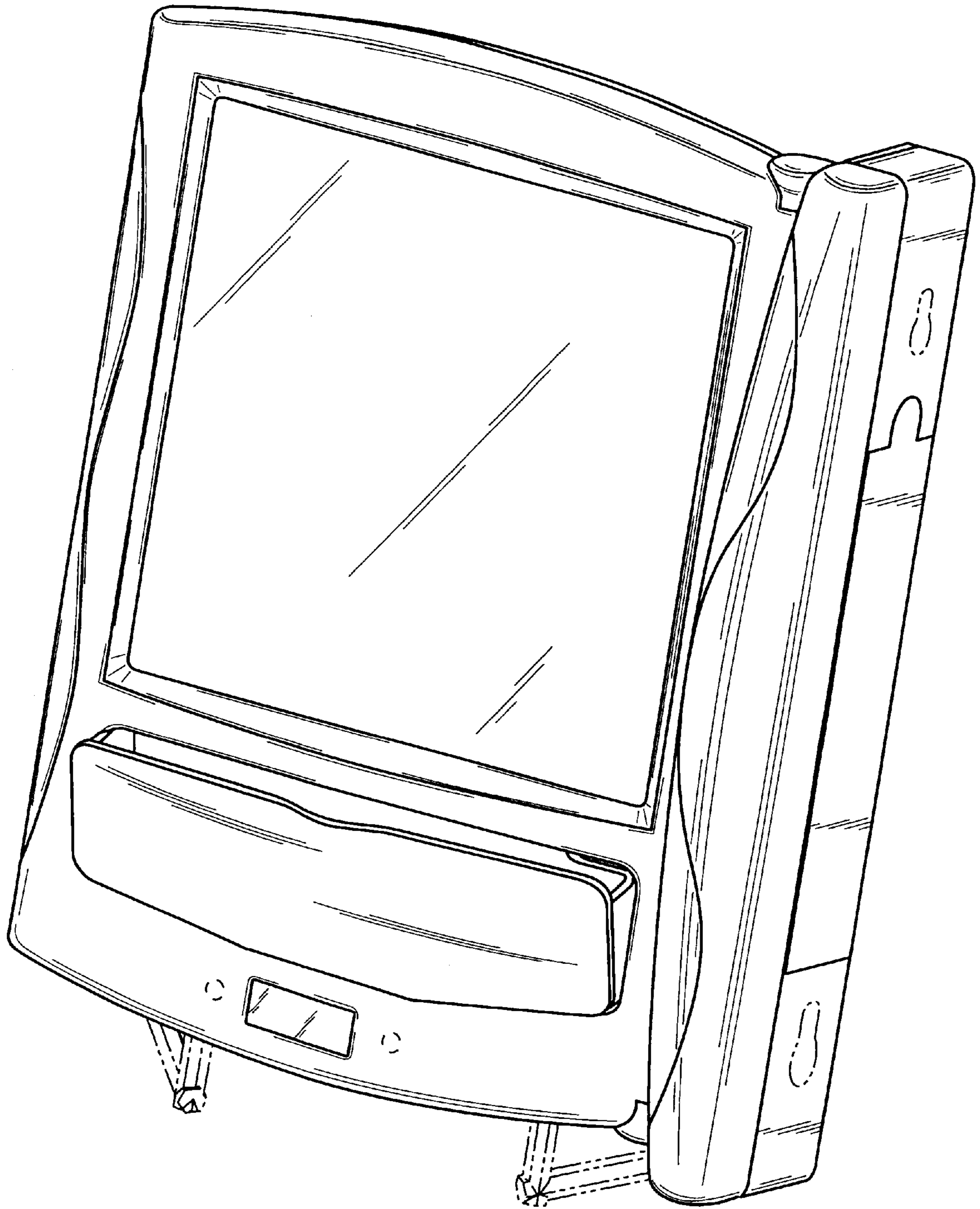


*Fig. 6*

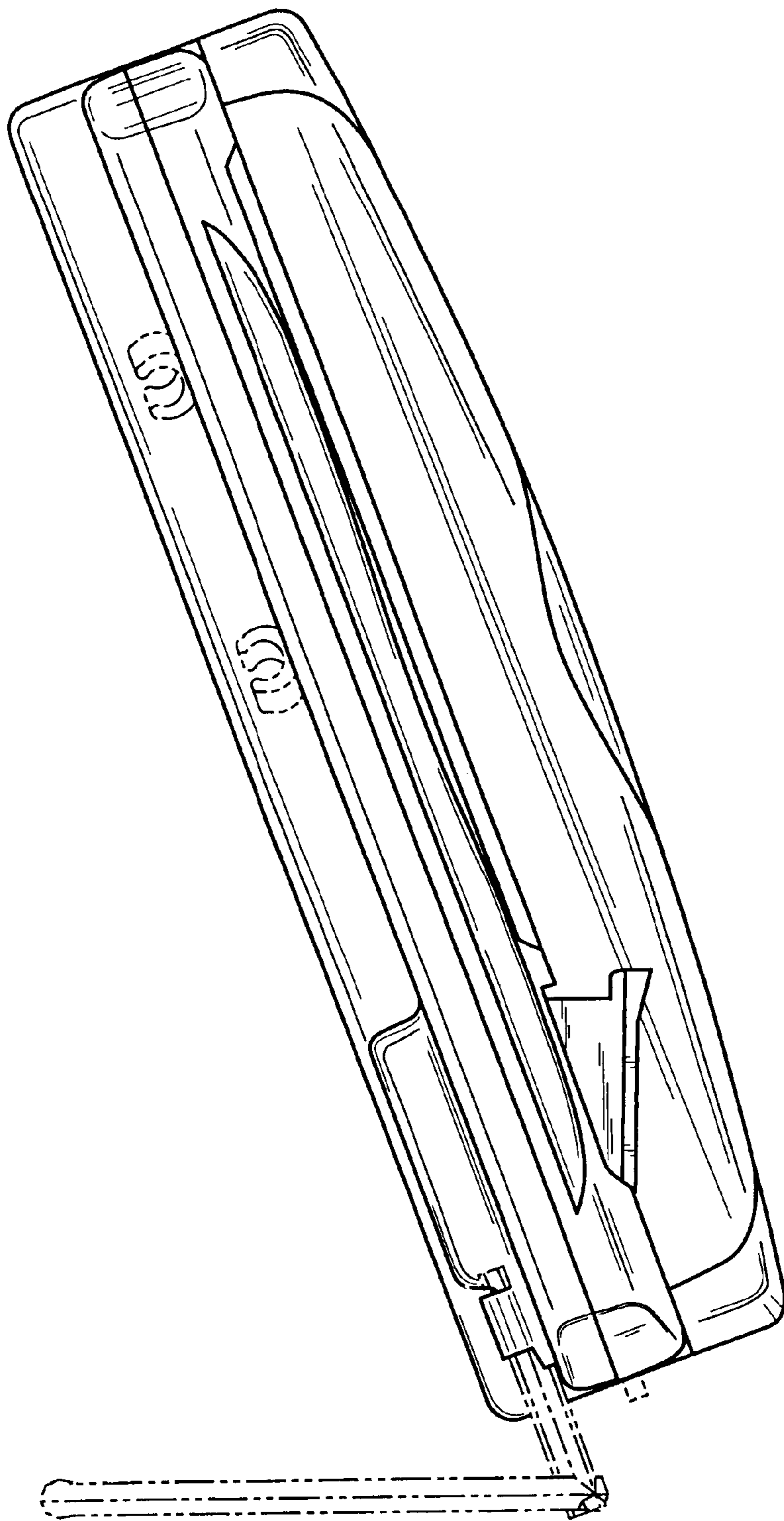


*Fig. 7*

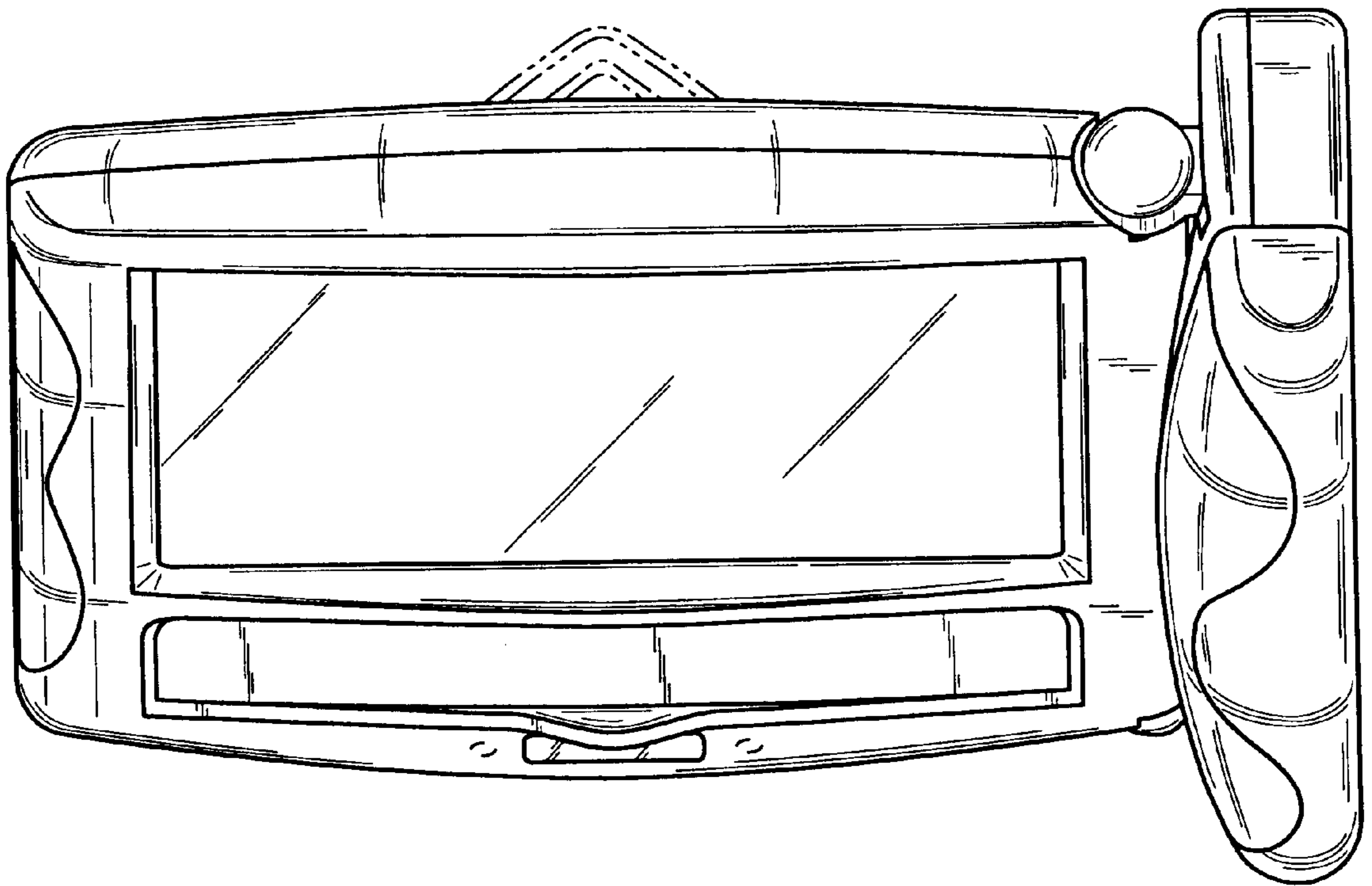




*Fig. 8*



*Fig. 9*



*Fig. 10*