



US00D480560S

(12) **United States Design Patent**
Tanji

(10) **Patent No.:** **US D480,560 S**

(45) **Date of Patent:** **** Oct. 14, 2003**

(54) **CONTAINER**

(75) Inventor: **Hiroyuki Tanji**, Miyagi-Ken (JP)

(73) Assignee: **Iris Ohyama Inc.**, Miyagi-Ken (JP)

(**) Term: **14 Years**

(21) Appl. No.: **29/161,847**

(22) Filed: **Jun. 6, 2002**

(30) **Foreign Application Priority Data**

Dec. 7, 2001 (JP) 2001-036081

(51) **LOC (7) Cl.** **03-01**

(52) **U.S. Cl.** **D3/294; D3/273**

(58) **Field of Search** D3/272, 273, 294,
D3/302; 206/505, 508, 506, 511; 220/334,
333, 329, 558; D9/424, 425

(56) **References Cited**

U.S. PATENT DOCUMENTS

D257,528 S	*	11/1980	Cherry	D9/431
4,391,386 A	*	7/1983	Moret	220/819
4,620,644 A	*	11/1986	Miller	220/826
4,685,567 A	*	8/1987	Webb	206/506
D306,264 S	*	2/1990	Malmanger	D9/432
D312,573 S	*	12/1990	Poirier	D9/424
5,328,048 A	*	7/1994	Stein	220/826
5,673,791 A	*	10/1997	Jamison	206/508
6,041,931 A	*	3/2000	Jacques	206/505

* cited by examiner

Primary Examiner—Philip S. Hyder

(74) *Attorney, Agent, or Firm*—Sughrue Mion, PLLC

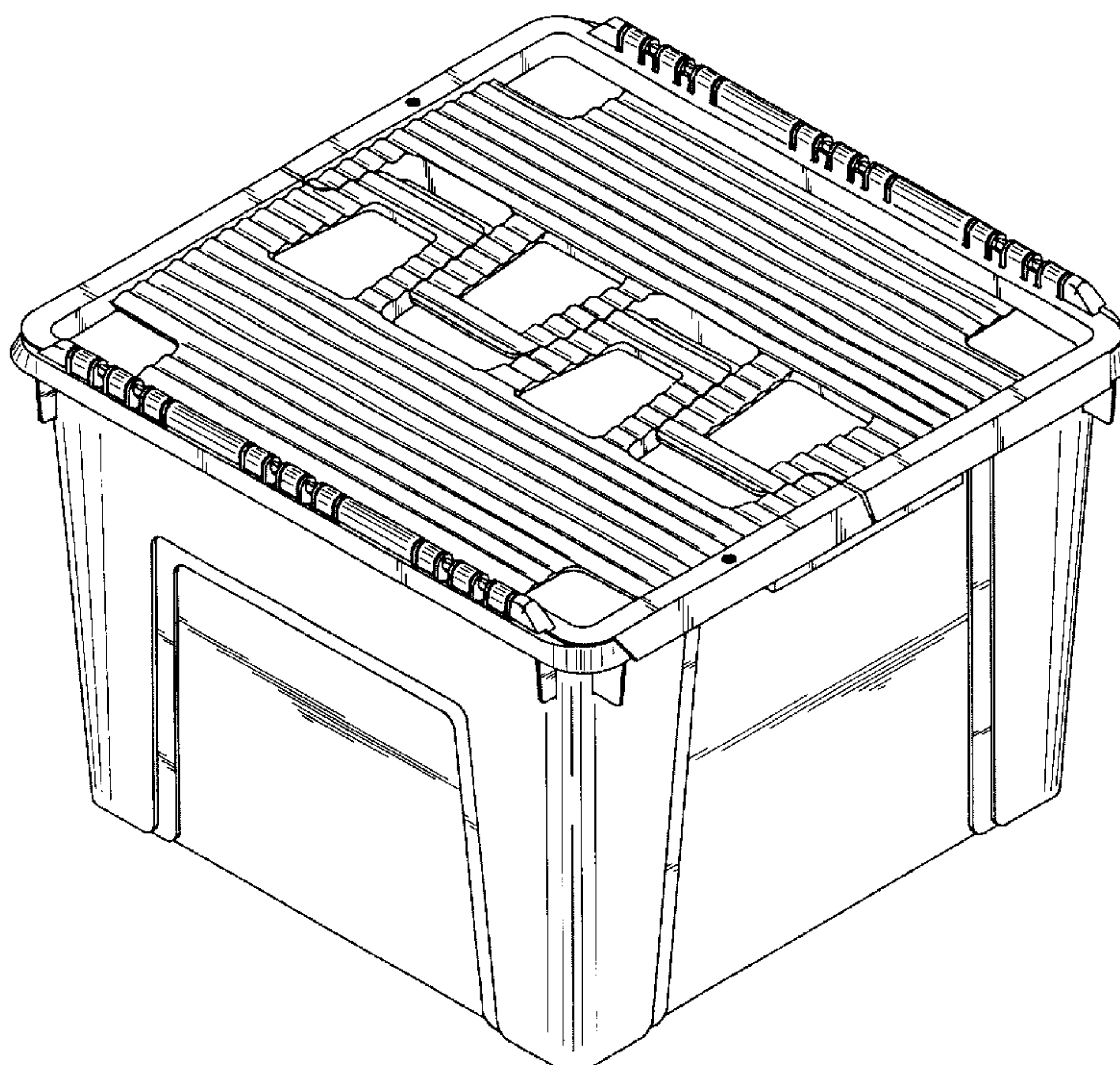
(57) **CLAIM**

The ornamental design for a container, as shown and described.

DESCRIPTION

FIG. 1 is a front view of a container showing my new design, wherein the rear view is identical;
 FIG. 2 is a right side elevational view thereof, wherein the left side view is identical;
 FIG. 3 is a plan view of the container;
 FIG. 4 is a bottom view of the container;
 FIG. 5 is a reference plan view of the container;
 FIG. 6 is a cross-section view taken along line 6—6 of FIG. 5;
 FIG. 7 is a cross-section view taken along line 7—7 of FIG. 5;
 FIG. 8 is an enlarged section view 8—8 of the container, taken along line 8—8 of FIG. 6;
 FIG. 9 is an enlarged section view 9—9 of the container, taken along line 9—9 of FIG. 7;
 FIG. 10 is an enlarged section view 10—10 of the container, taken along line 10—10 of FIG. 7;
 FIG. 11 is an enlarged section view 11—11 of the container, taken along line 11—11 of FIG. 7;
 FIG. 12 is a reference section view 6—6 of the container, taken along line 6—6 of FIG. 5;
 FIG. 13 is a perspective view of the container; and,
 FIG. 14 is a perspective exploded view of the container.

1 Claim, 14 Drawing Sheets



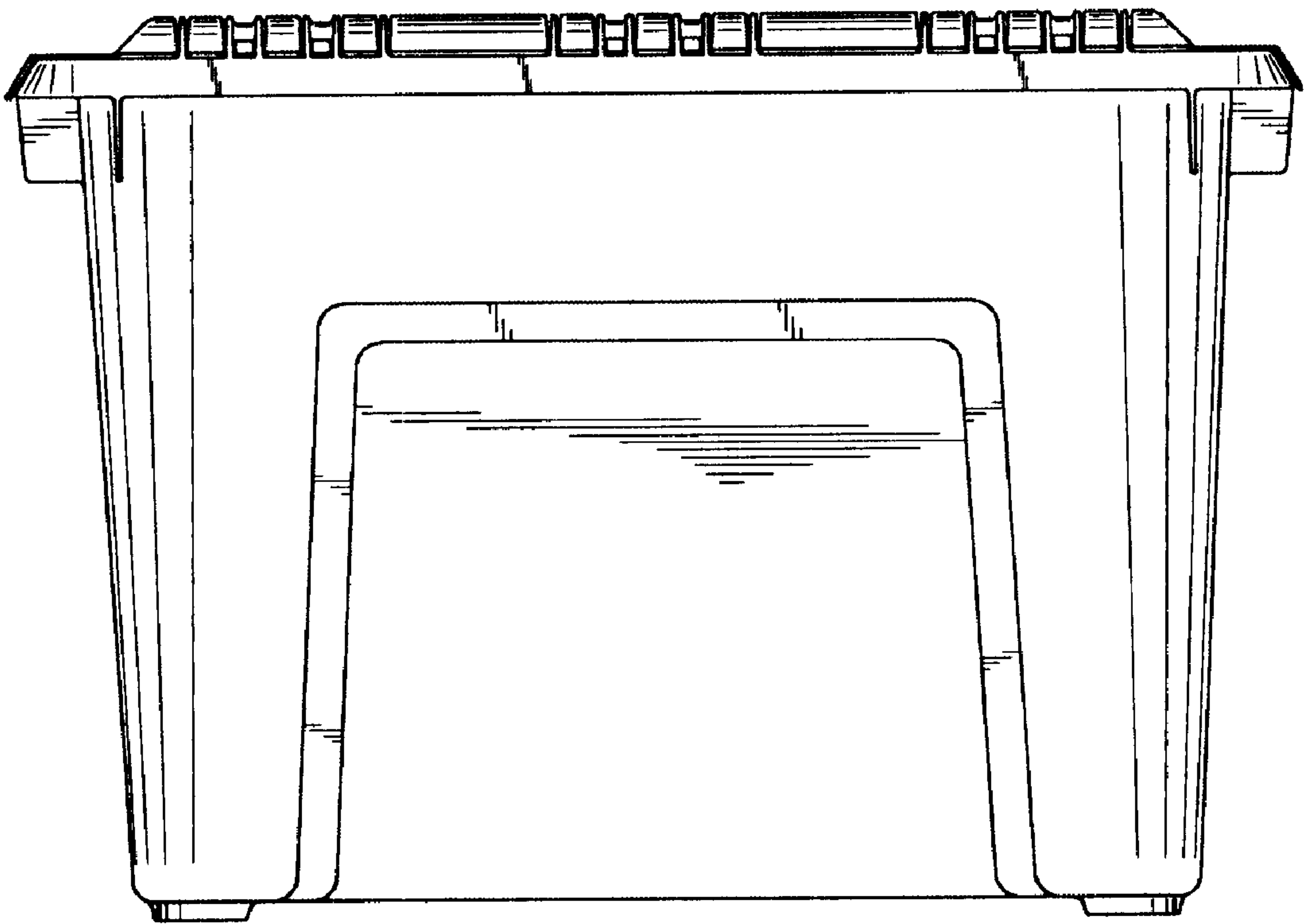


Fig. 1

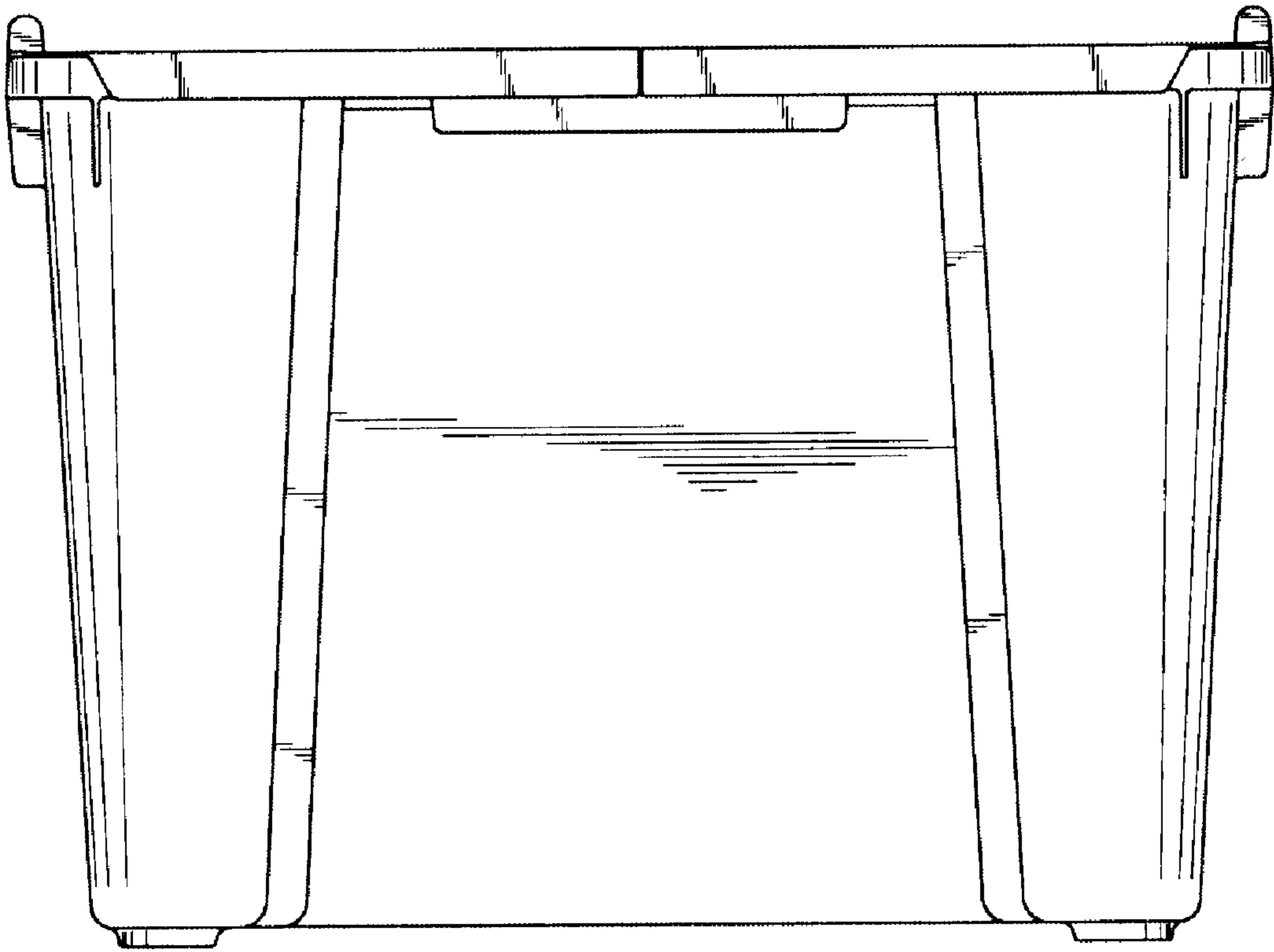


Fig. 2

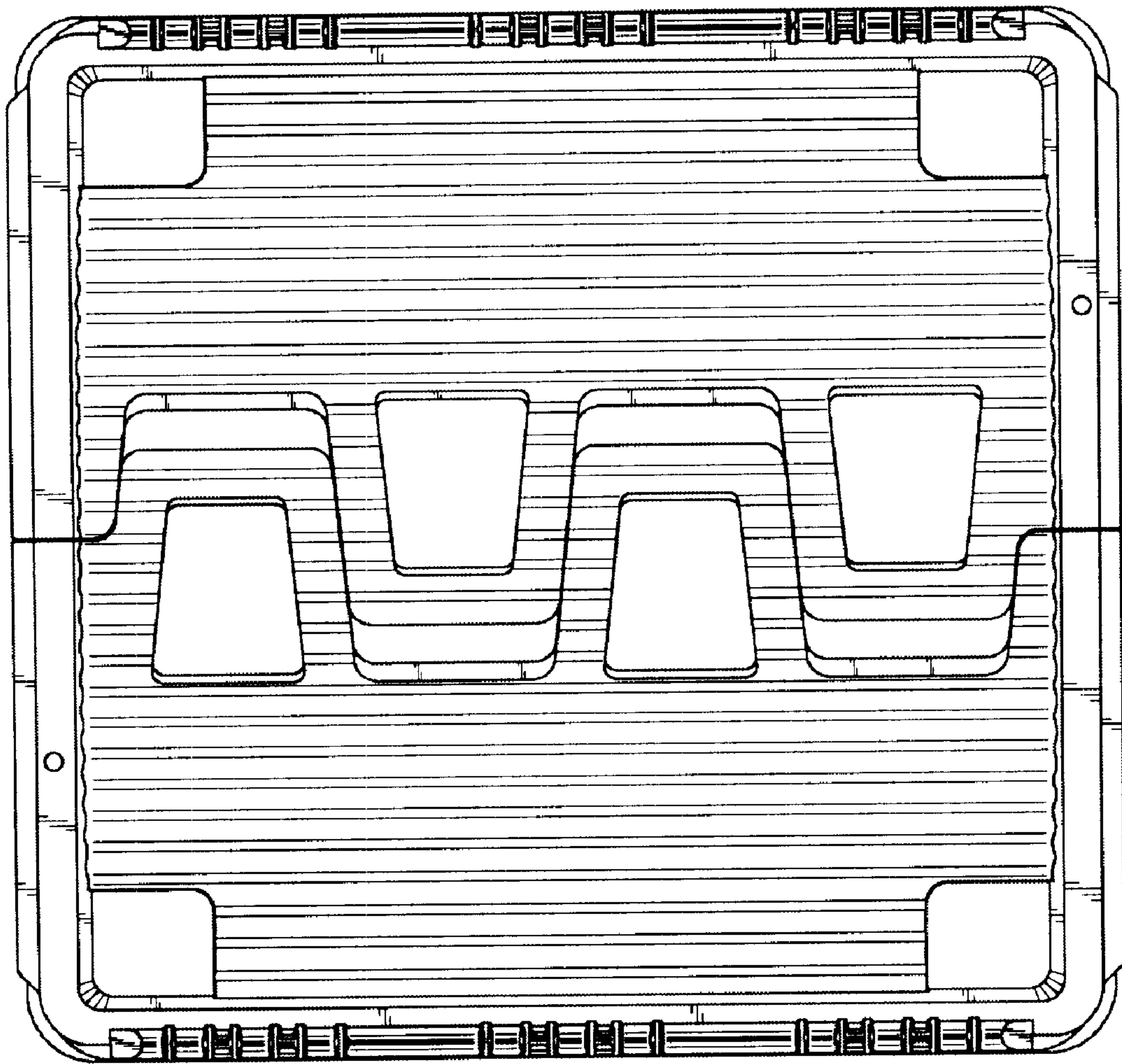


Fig. 3

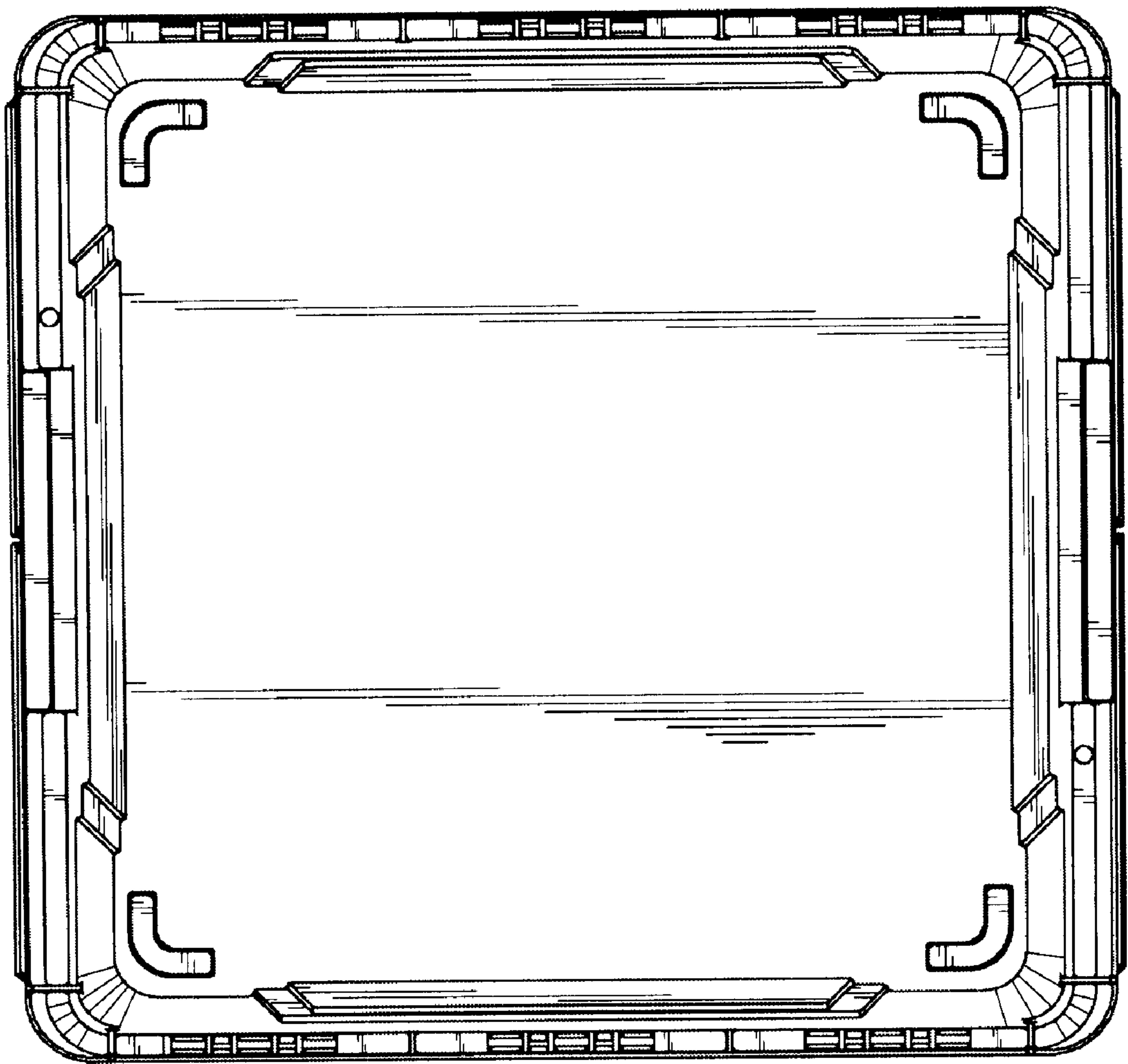


Fig. 4

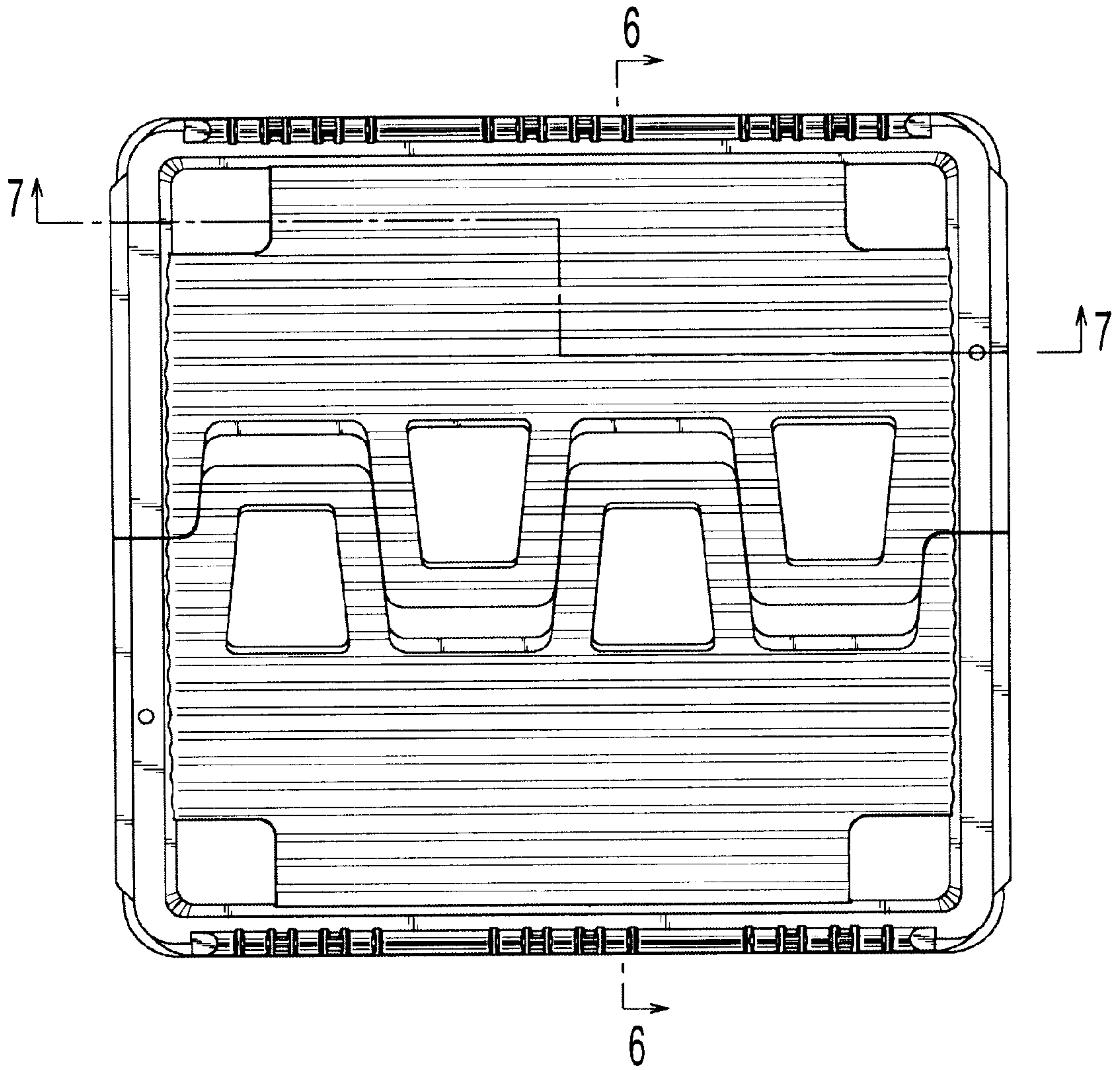


Fig. 5

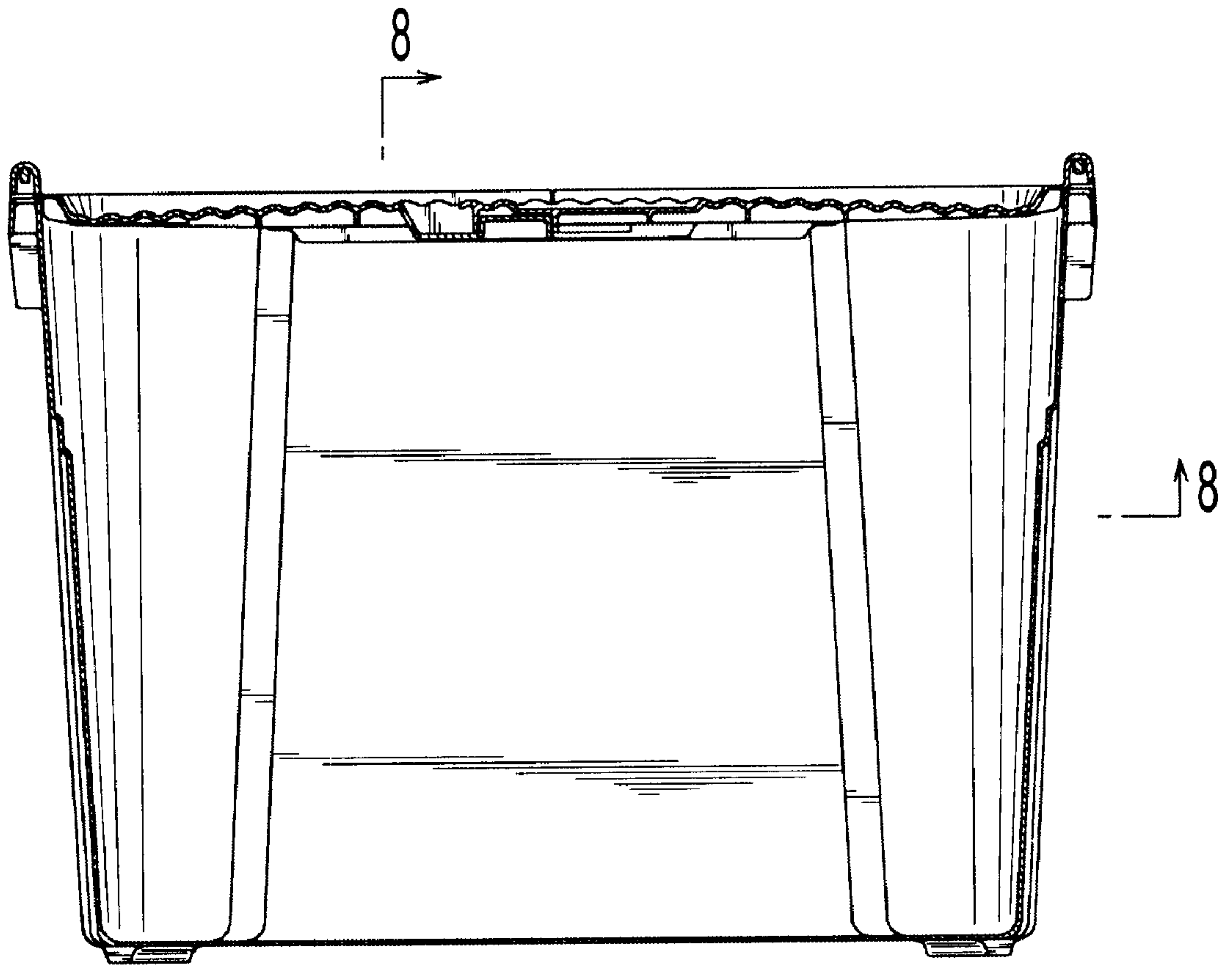


Fig. 6

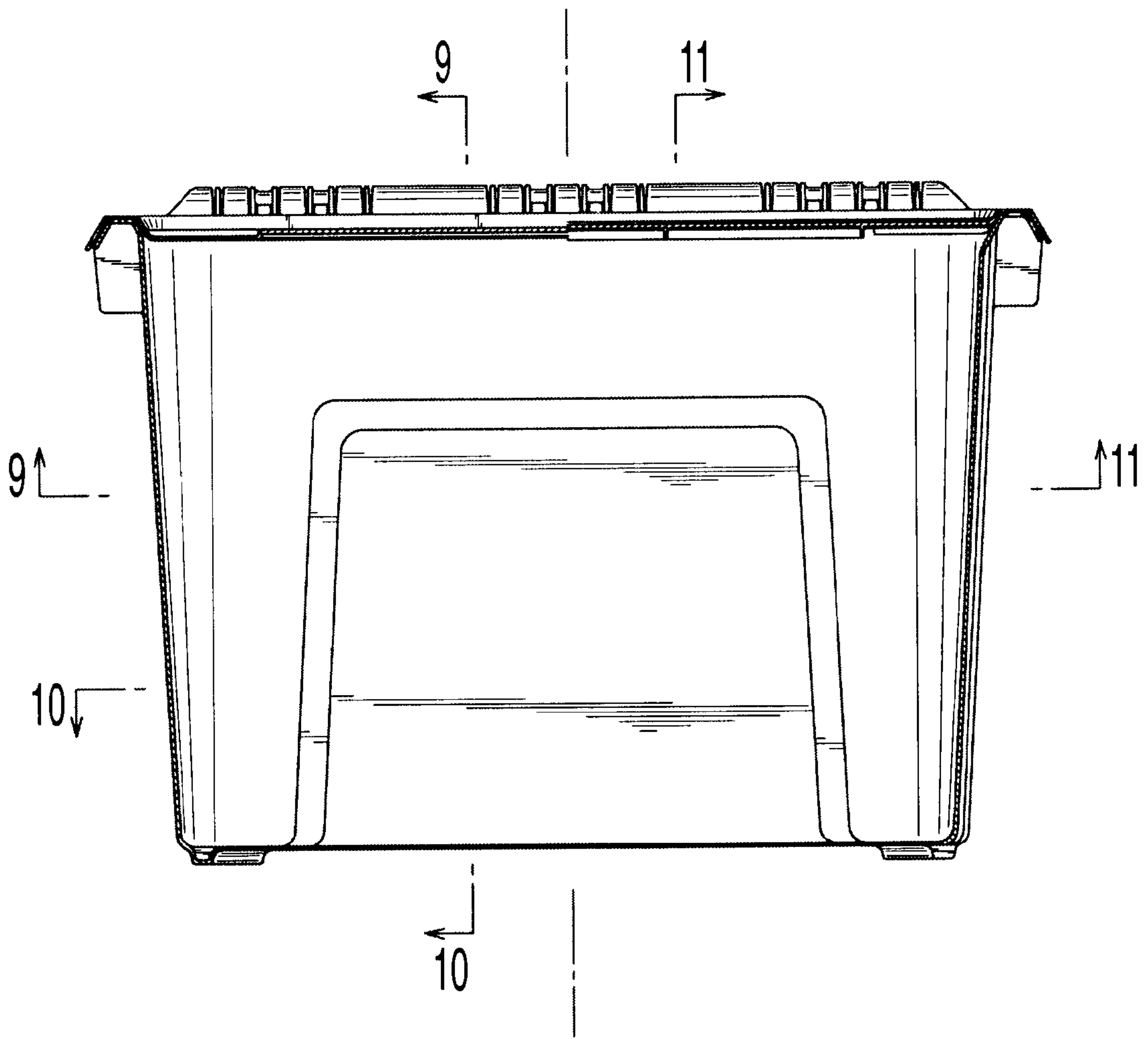


Fig. 7

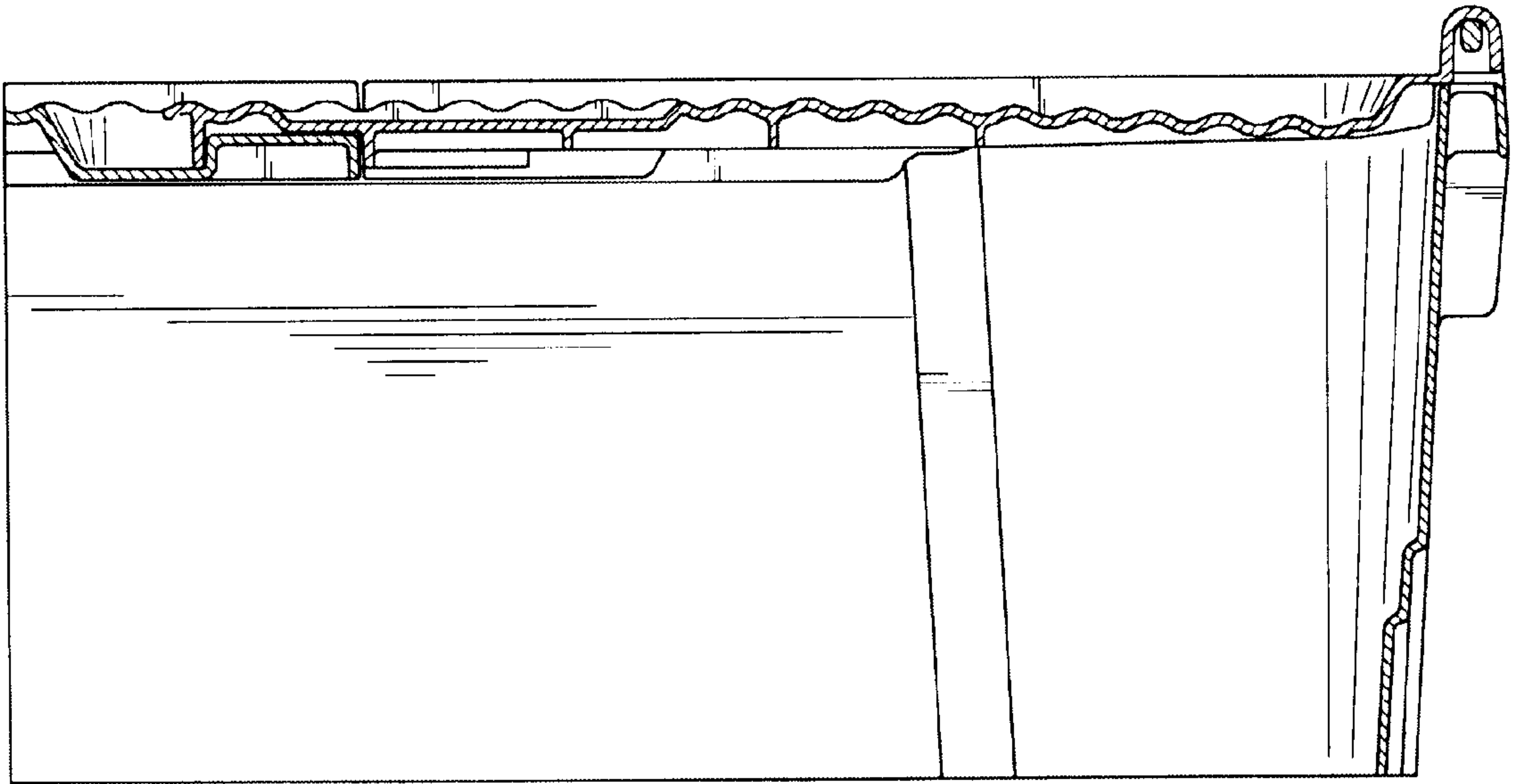


Fig. 8

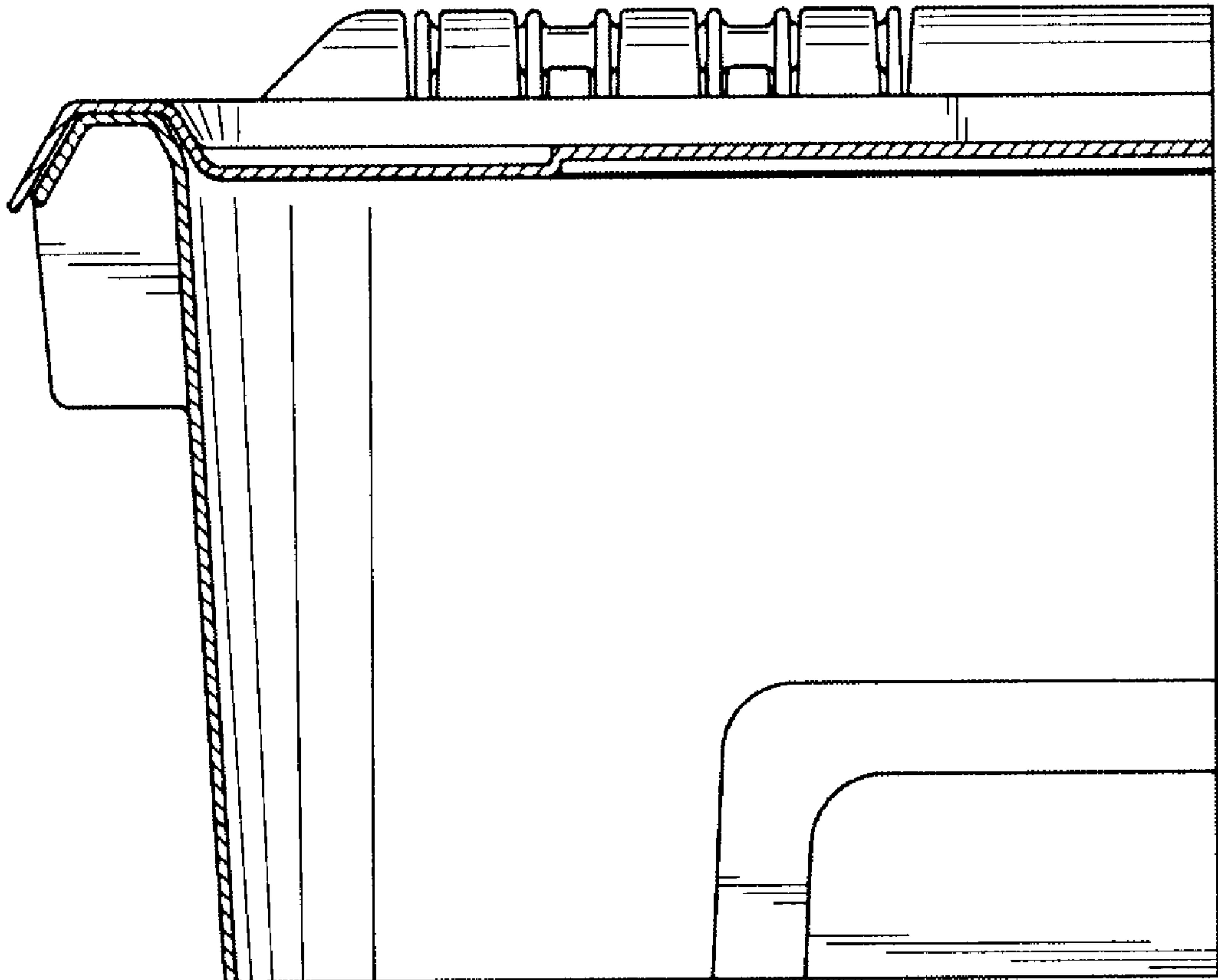


Fig. 9

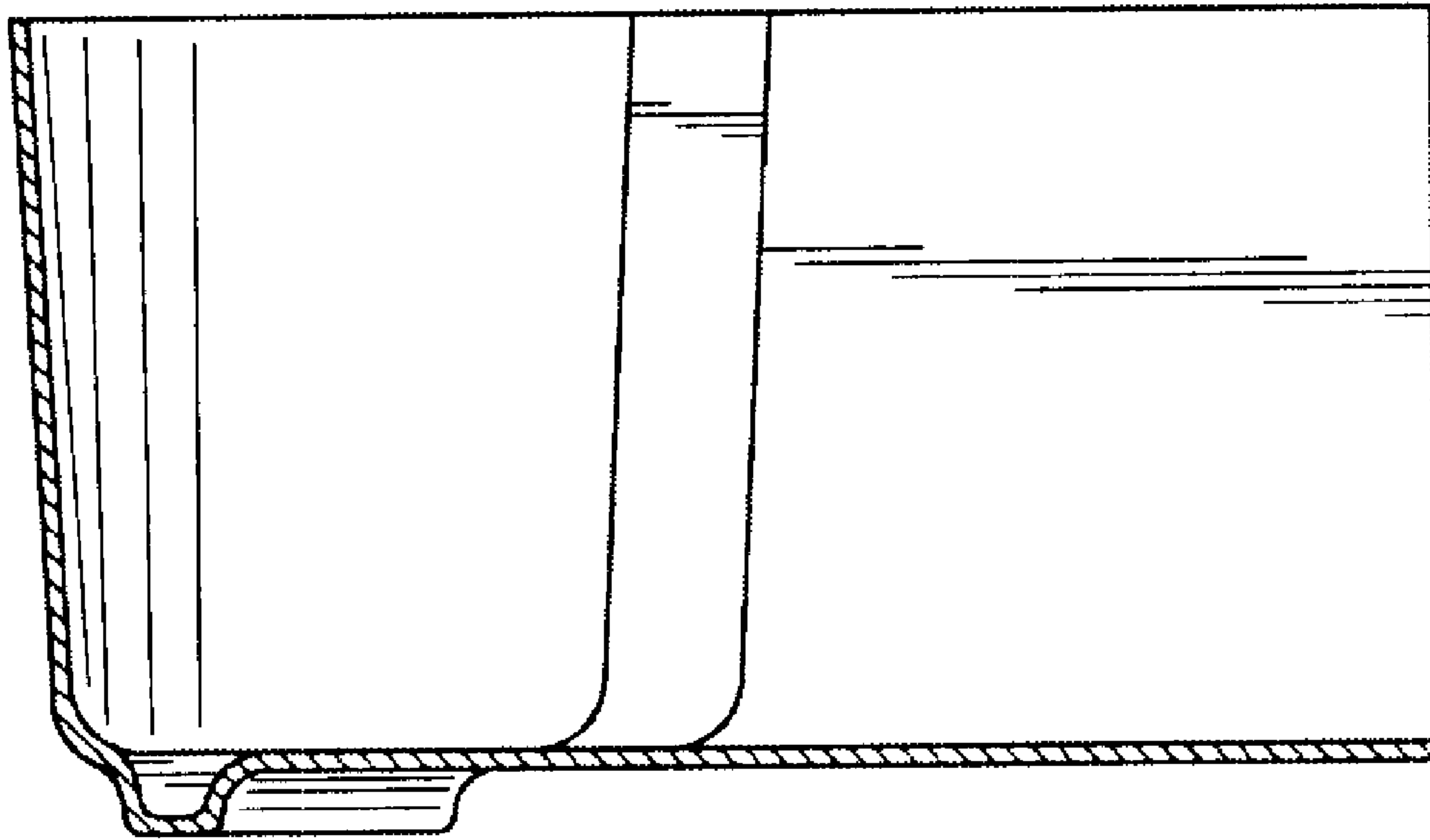


Fig. 10

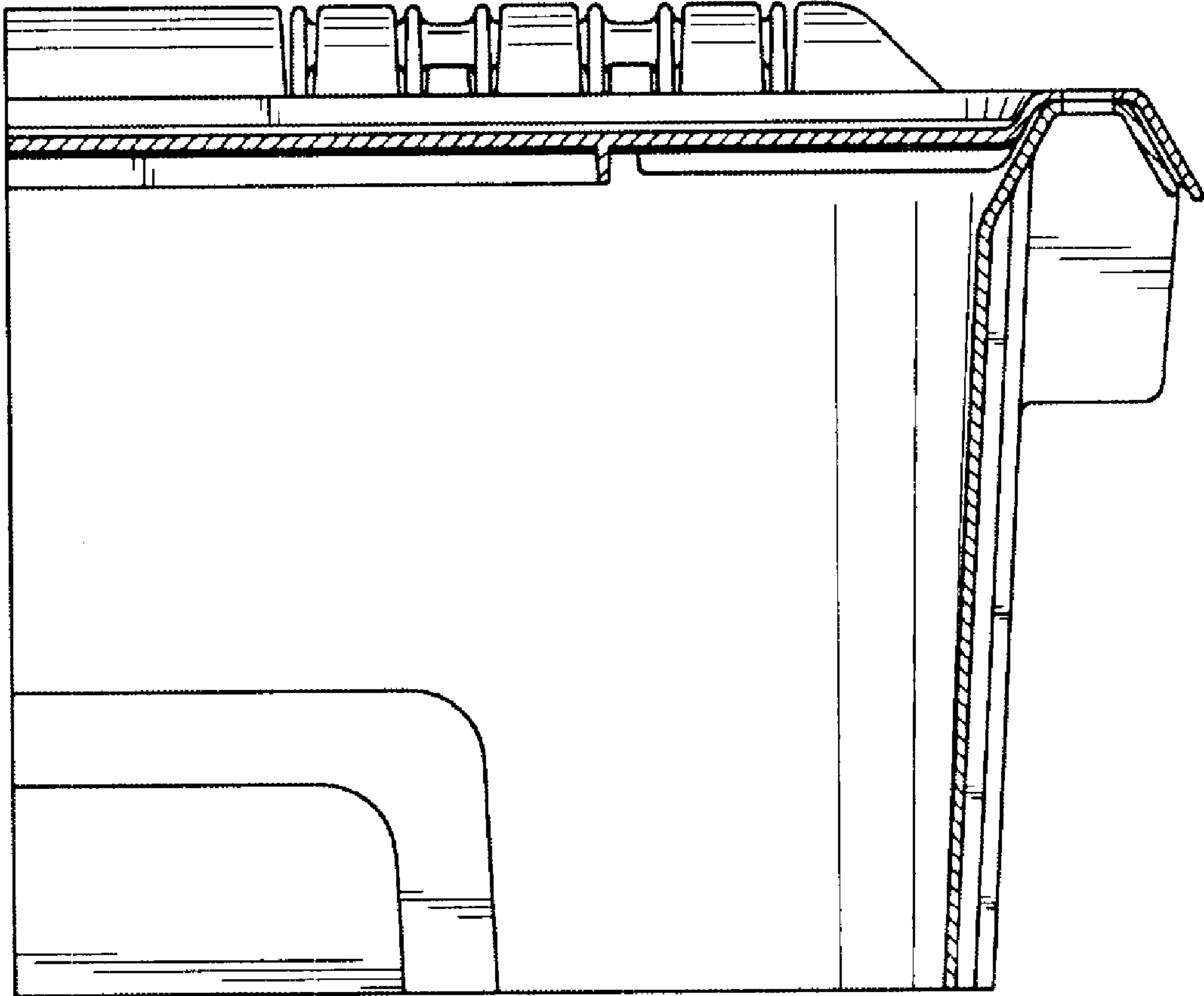


Fig. 11

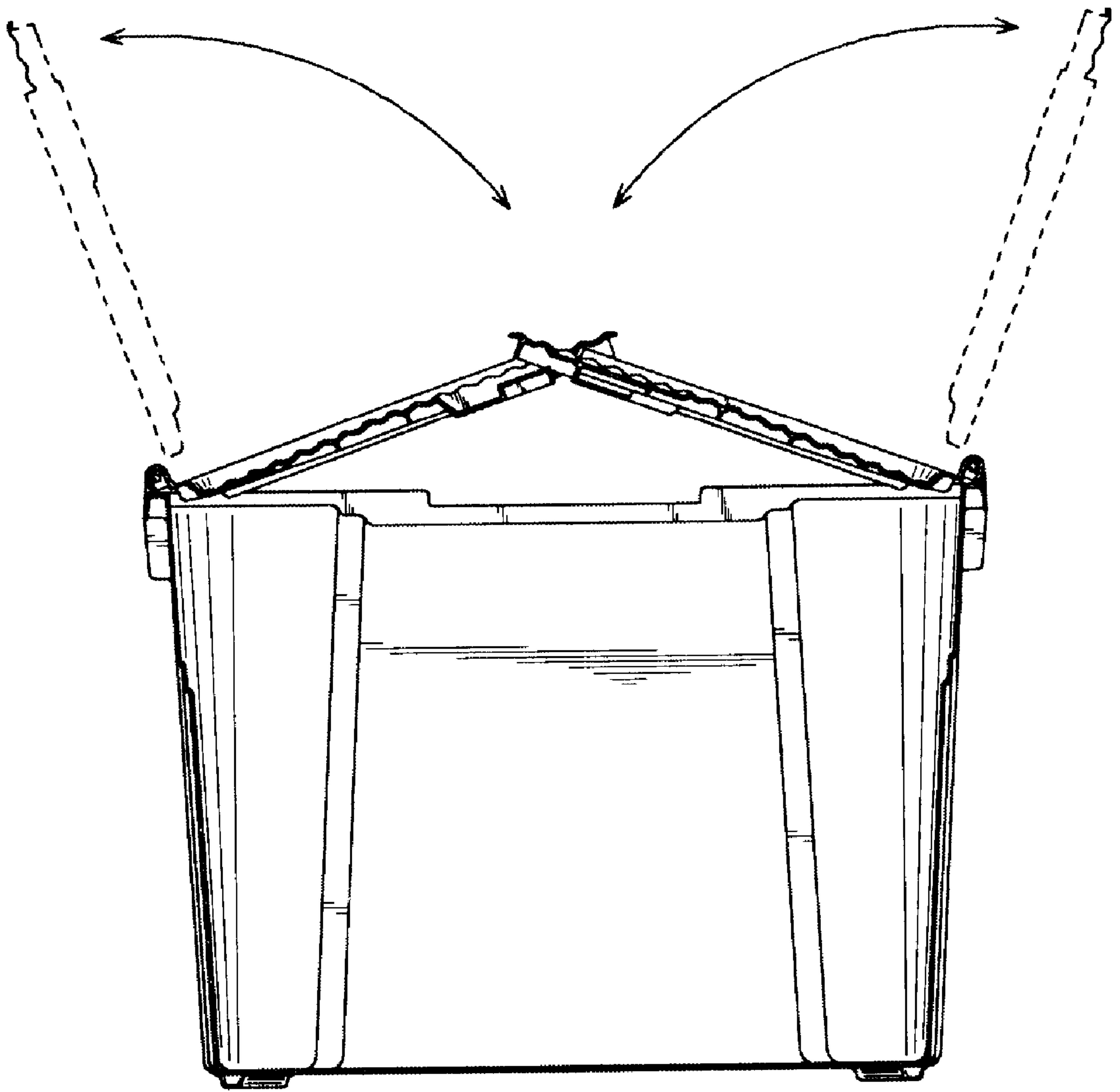


Fig. 12

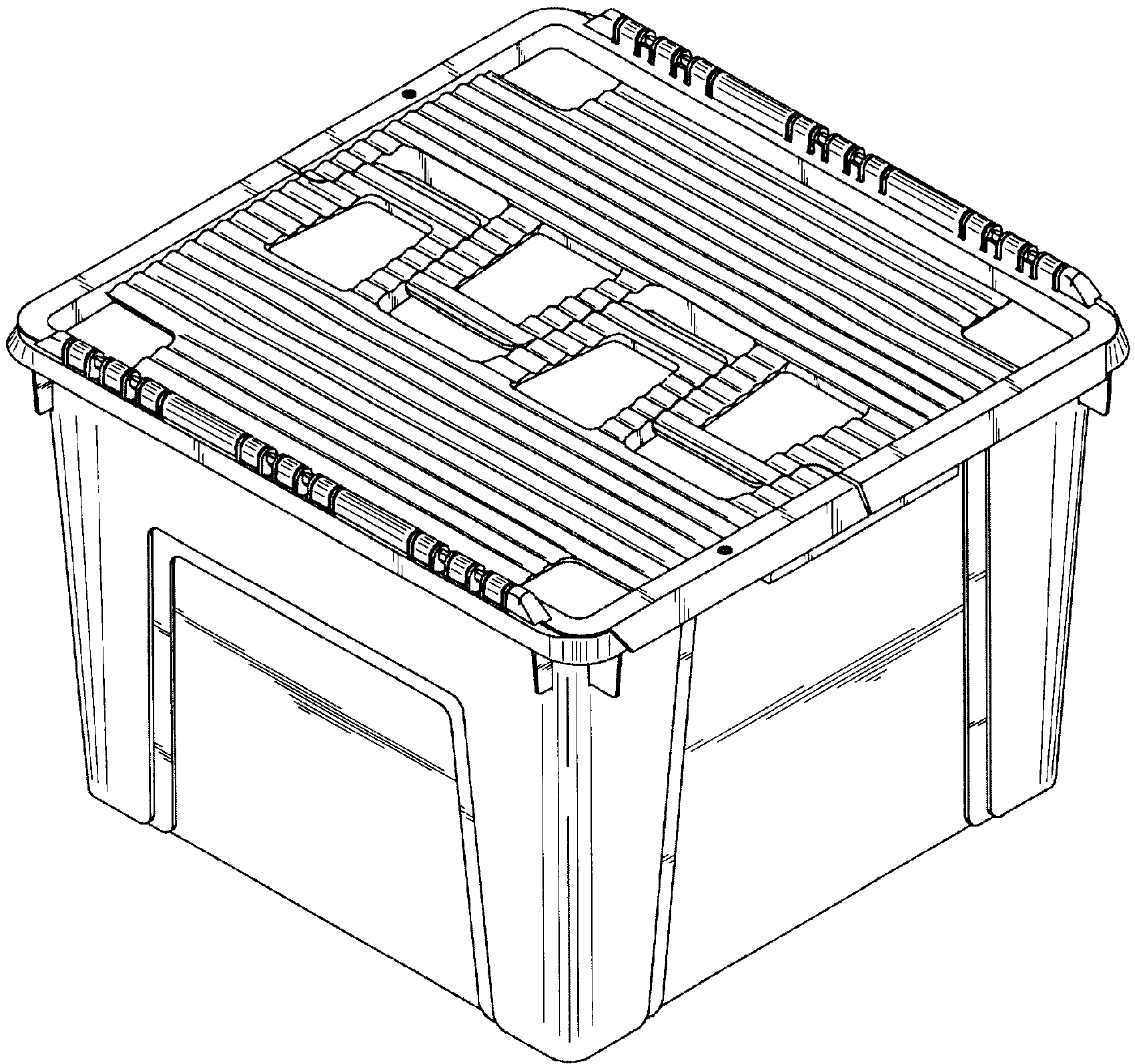


Fig. 13

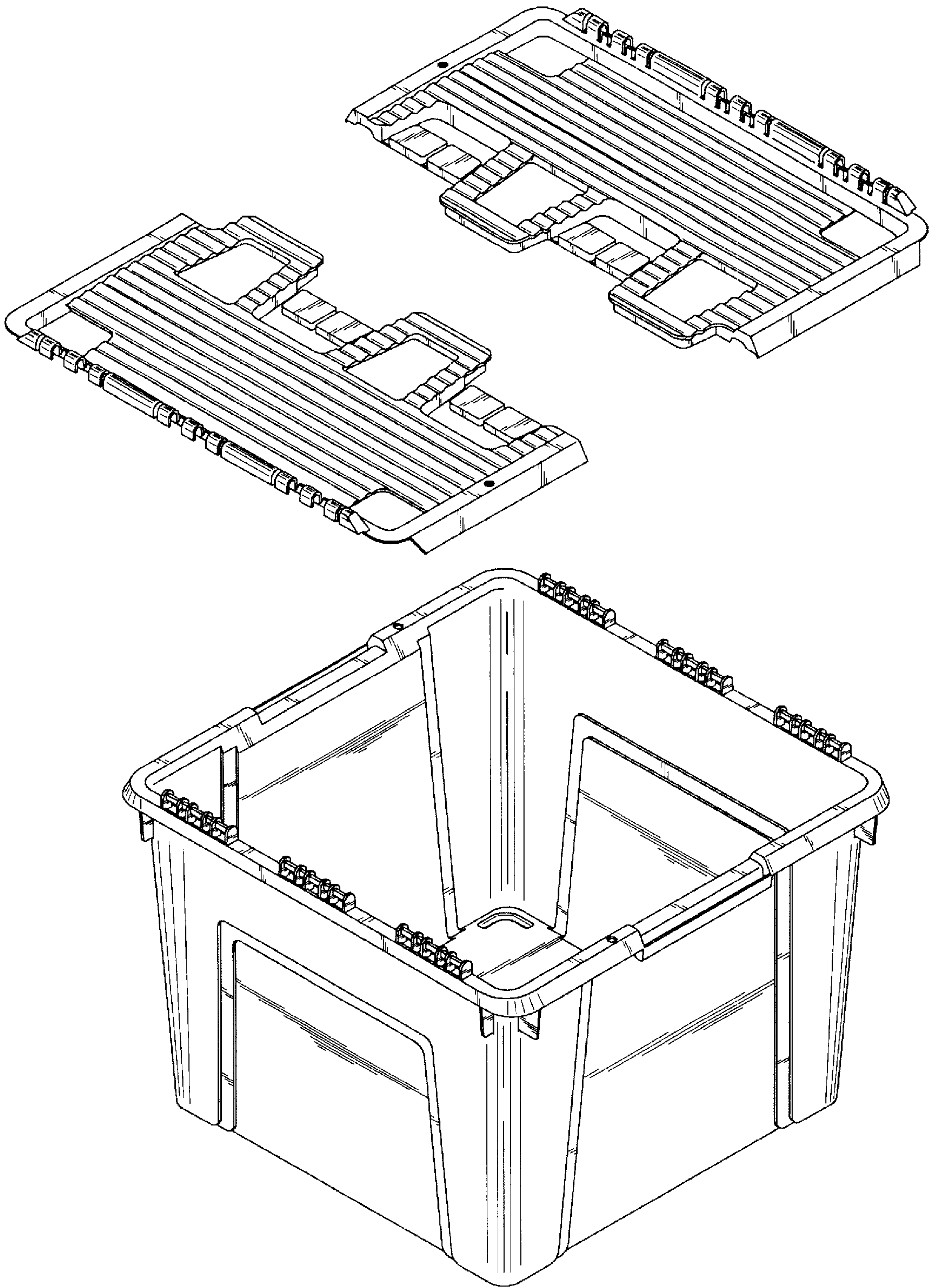


Fig. 14