



US00D480556S

(12) **United States Design Patent**
Byard

(10) **Patent No.:** **US D480,556 S**

(45) **Date of Patent:** **** Oct. 14, 2003**

(54) **IDENTIFICATION CONTAINER**

(76) Inventor: **Kenneth L. Byard**, 715 E. Ave. A,
Hutchinson, KS (US) 67501

(**) Term: **14 Years**

(21) Appl. No.: **29/169,791**

(22) Filed: **Oct. 28, 2002**

(51) **LOC (7) Cl.** **03-01**

(52) **U.S. Cl.** **D3/215**

(58) **Field of Search** D3/215, 228, 227;
224/219, 222, 269, 267; D10/30-33; 40/1.5,
1.6, 633, 665

(56) **References Cited**

U.S. PATENT DOCUMENTS

1,851,750 A	*	3/1932	Cartuschka	224/222
D106,272 S	*	10/1937	Anderson	224/219
2,599,311 A	*	6/1952	Anderson	224/219
D265,861 S	*	8/1982	Walasek	D3/227
5,127,545 A	*	7/1992	French	224/219
D341,488 S	*	11/1993	Walasek	D3/227

6,085,449 A * 7/2000 Tsui 40/1.6

* cited by examiner

Primary Examiner—Catherine R. Oliver

(74) *Attorney, Agent, or Firm*—John M. Harrison

(57) **CLAIM**

The ornamental design for an “identification container”, as shown and described.

DESCRIPTION

FIG. 1 is a top perspective view of the identification container showing my new design with the carrying strap shown in broken lines for illustrative purposes only and forming no part of the claimed design;

FIG. 2 is a bottom perspective view of the identification container;

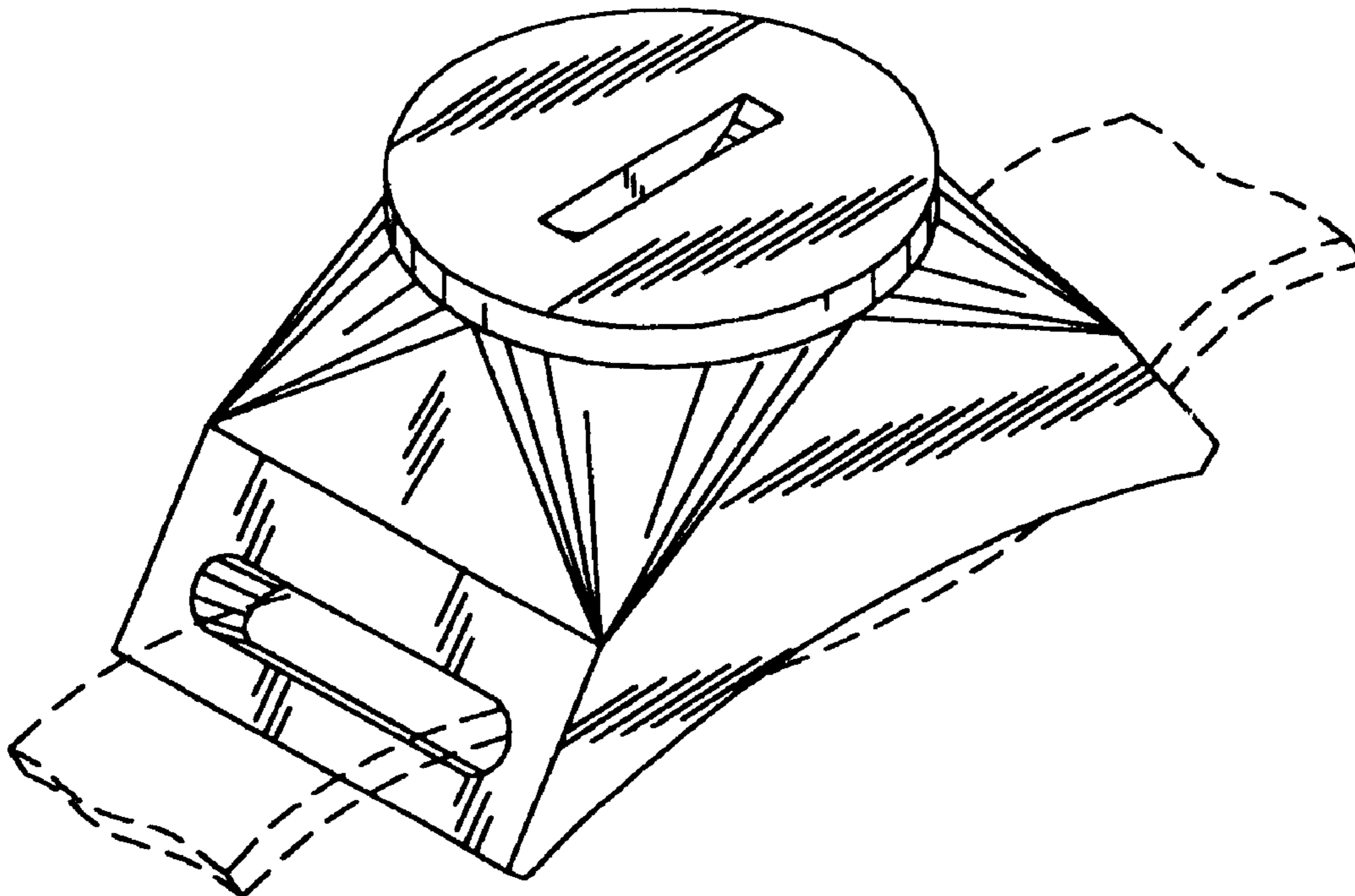
FIG. 3 is a front view, the rear being identical thereto;

FIG. 4 is a left side elevational view thereof, the right side being identical thereto;

FIG. 5 is a top view thereof; and,

FIG. 6 is a bottom view of the identification container illustrated in FIGS. 1-5.

1 Claim, 2 Drawing Sheets



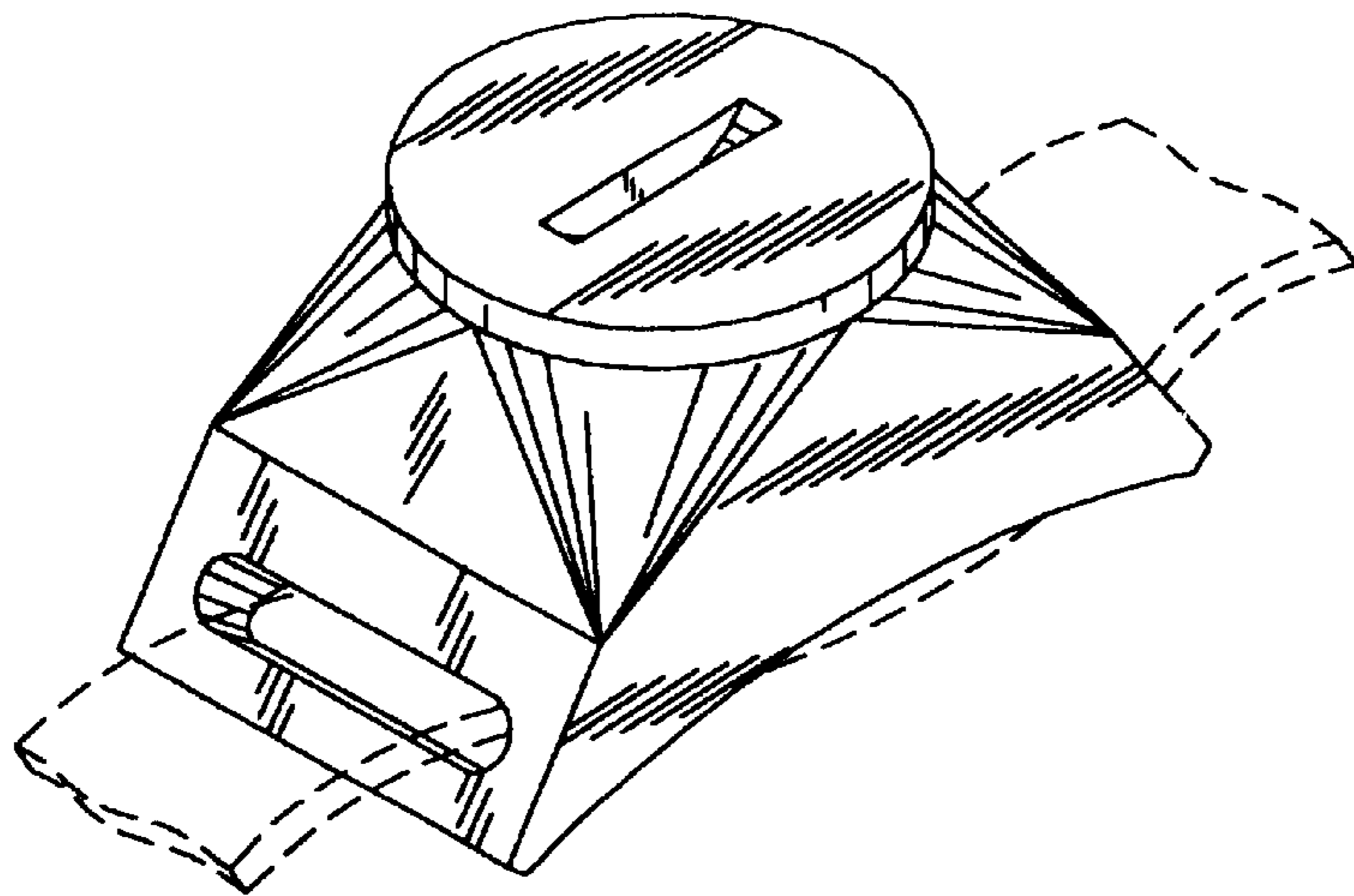


FIG. 1

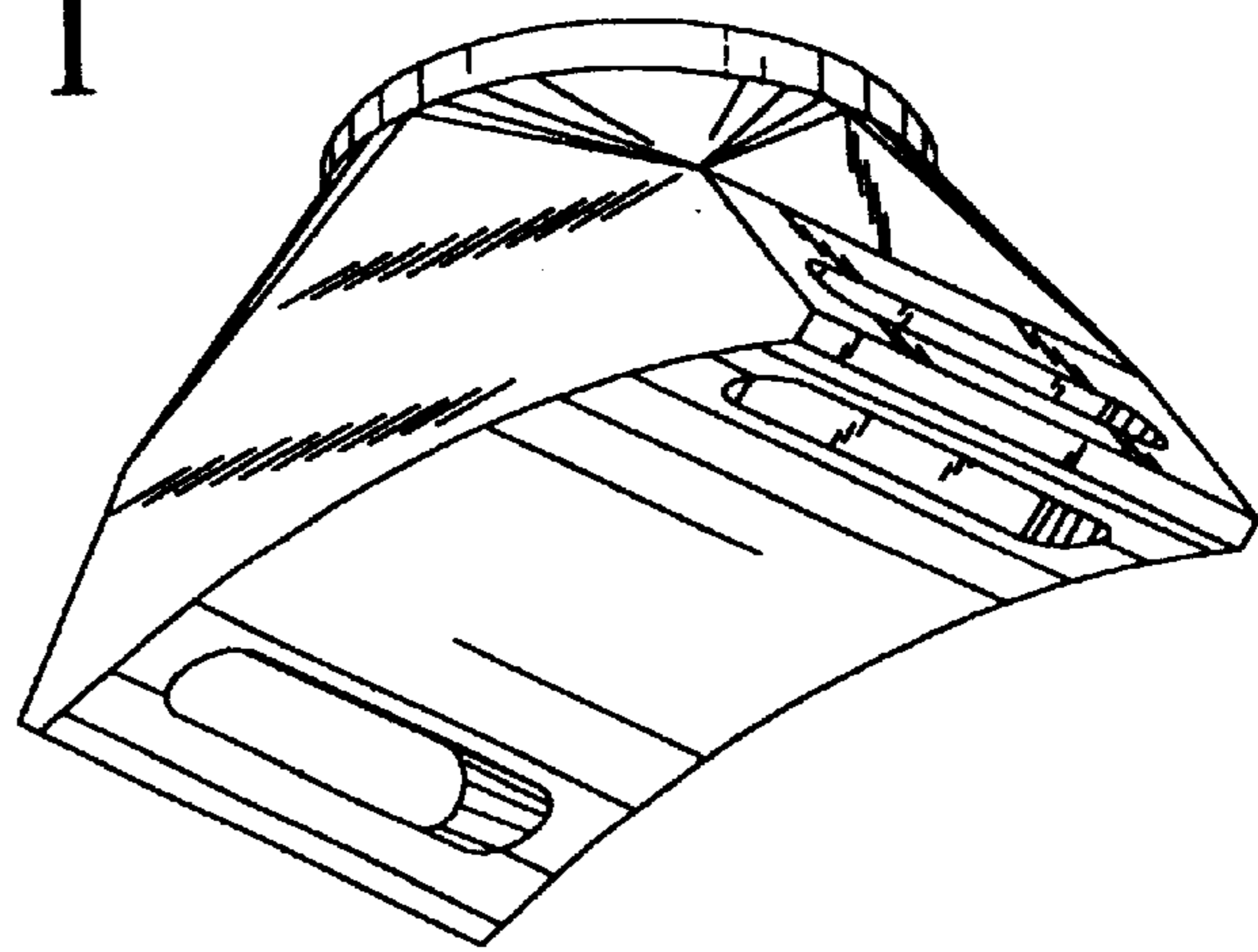


FIG. 2

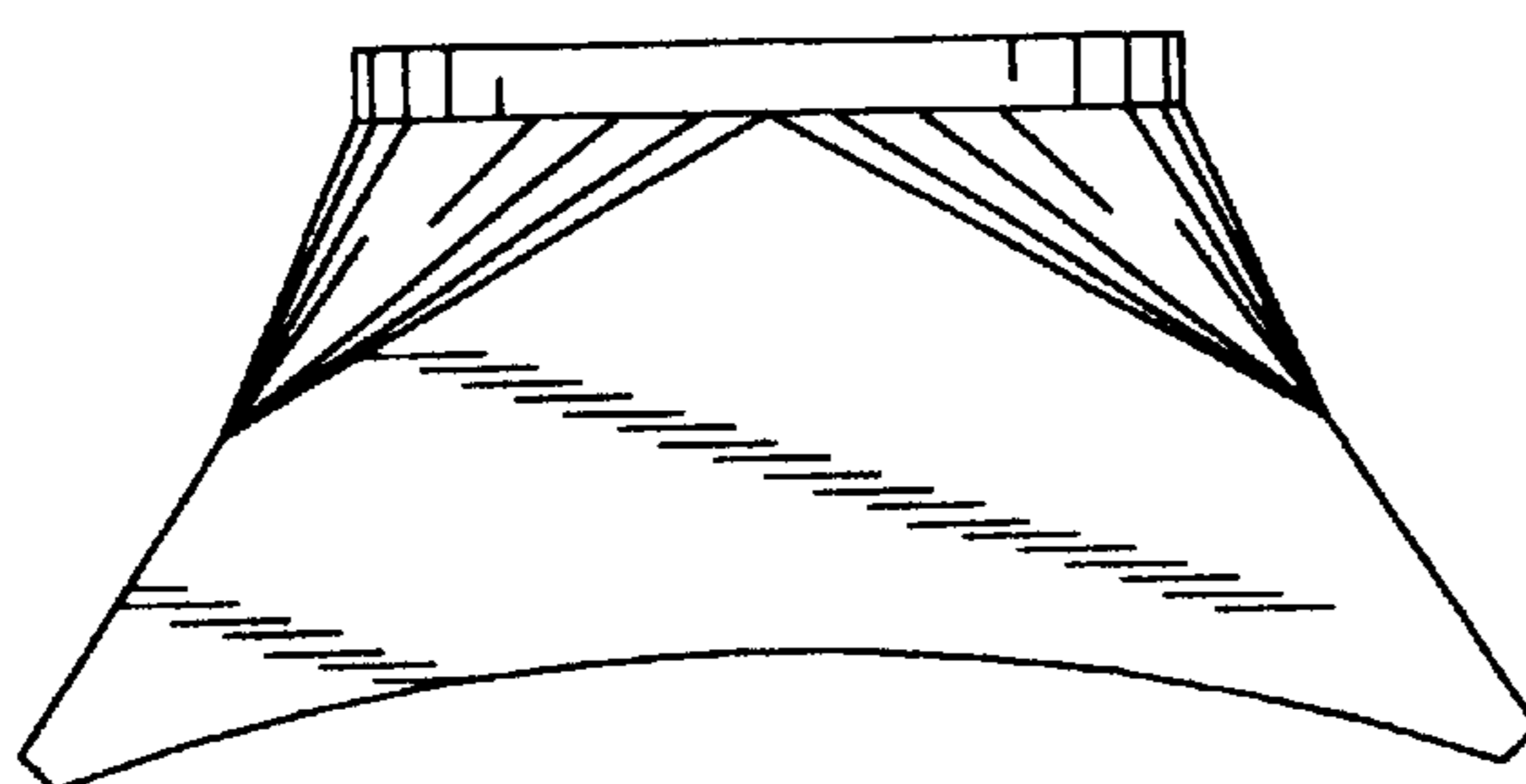


FIG. 3

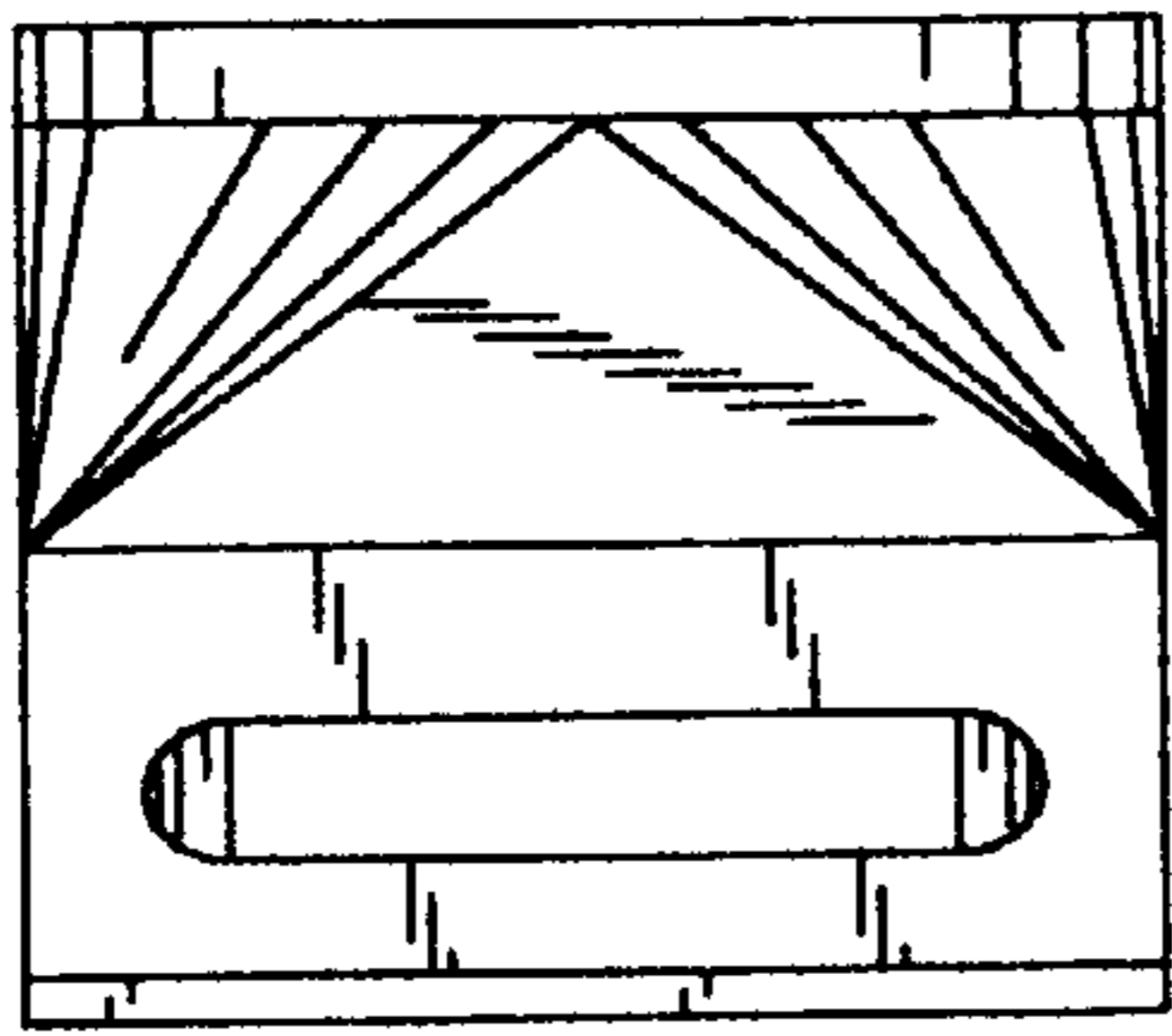


FIG. 4

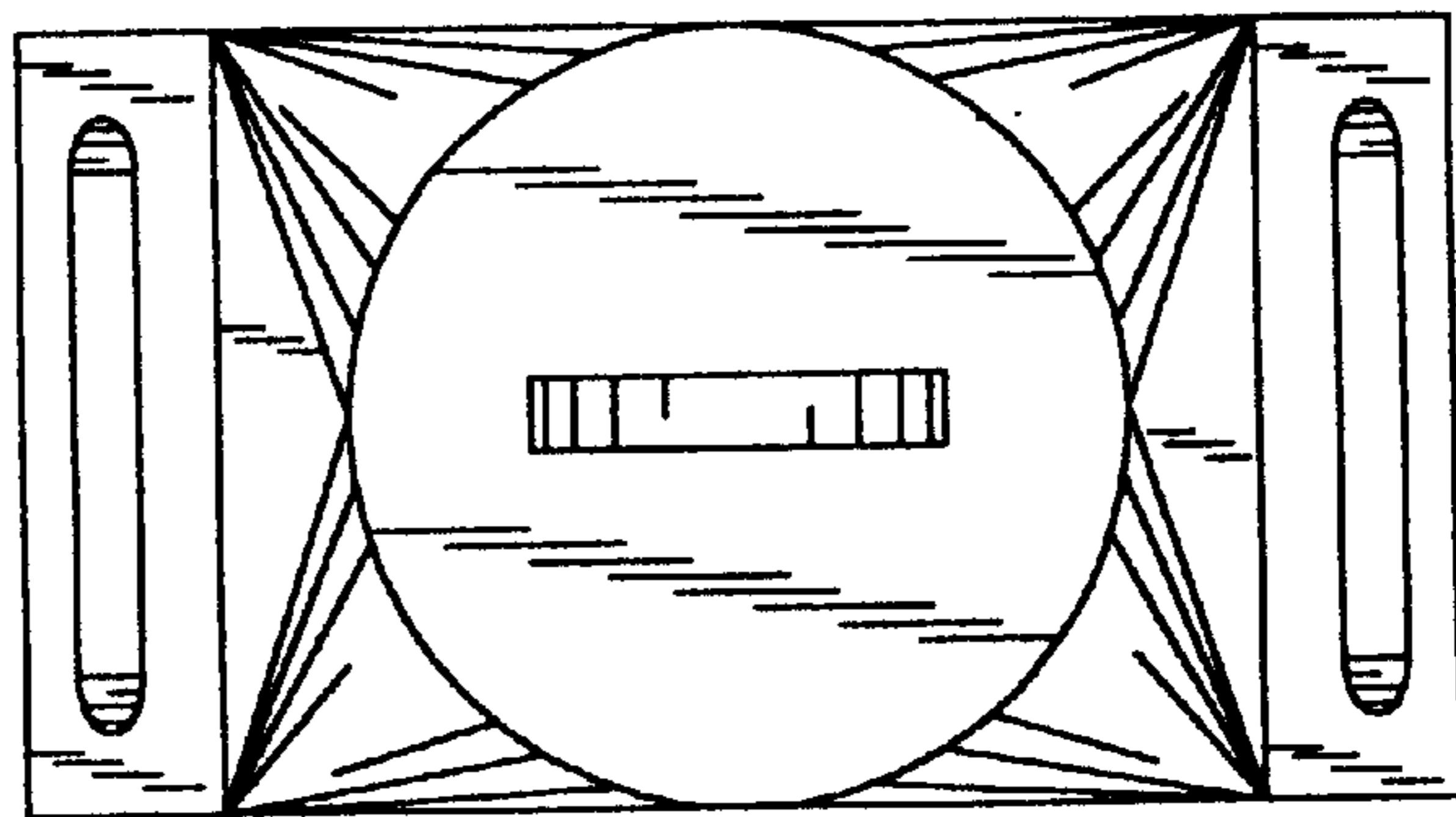


FIG. 5

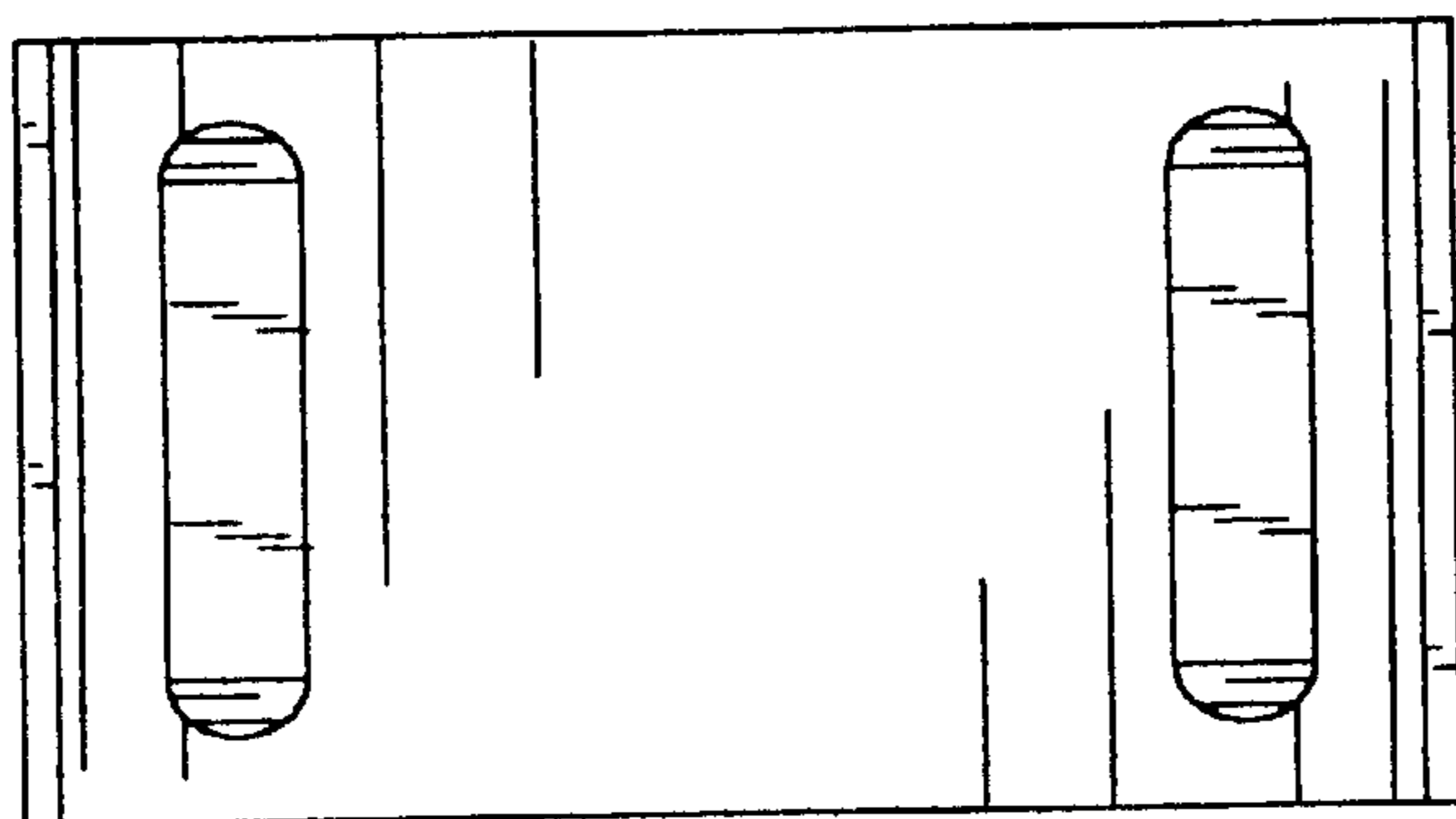


FIG. 6