



US00D480536S

(12) **United States Design Patent**
Codère

(10) **Patent No.:** **US D480,536 S**

(45) **Date of Patent:** **** Oct. 14, 2003**

(54) **SCREENED OPENING FOR PANTS**

(75) Inventor: **Alain Codère**, Outremont (CA)

(73) Assignee: **Sport Design Studio S.D.S. Inc.**,
Outremont (CA)

(**) Term: **14 Years**

(21) Appl. No.: **29/162,683**

(22) Filed: **Jun. 14, 2002**

(51) **LOC (7) Cl.** **02-02**

(52) **U.S. Cl.** **D2/738**

(58) **Field of Search** D2/704, 705, 738,
D2/853, 742, 731, 732, 76, 73, 78.1, 78.3,
236, 237, 220, 67

(56) **References Cited**

U.S. PATENT DOCUMENTS

2,790,176 A	4/1957	Cunningham	
3,436,762 A	4/1969	Cahan	
4,179,754 A	12/1979	Denu	
4,205,397 A	6/1980	Bechis	
5,303,424 A	4/1994	Cromartie	
5,435,010 A *	7/1995	May	2/67
5,867,836 A *	2/1999	Quinones	2/236
5,963,988 A *	10/1999	Jackson, Jr.	2/243.1
D427,750 S *	7/2000	Fujii et al.	D2/738

* cited by examiner

Primary Examiner—Doris Clark

(74) *Attorney, Agent, or Firm*—F. Martineau

(57) **CLAIM**

An ornamental design for a screened opening for pants, as shown and described.

DESCRIPTION

FIG. 1 is a front elevation view of the first embodiment of the screened opening for pants;

FIG. 2 is a rear elevation view of the first embodiment of the screened opening for pants;

FIG. 3 is a front perspective of the first embodiment of the screened opening for pants;

FIG. 4 is a rear perspective of the first embodiment of the screened opening for pants;

FIG. 5 is a front elevation view of the second embodiment of the screened opening for pants;

FIG. 6 is a rear elevation view of the second embodiment of the screened opening for pants;

FIG. 7 is a front perspective of the second embodiment of the screened opening for pants;

FIG. 8 is a rear perspective of the second embodiment of the screened opening for pants;

FIG. 9 is a front elevation view of the third embodiment of the screened opening for pants;

FIG. 10 is a rear elevation view of the third embodiment of the screened opening for pants;

FIG. 11 is a front perspective of the third embodiment of the screened opening for pants;

FIG. 12 is a rear perspective of the third embodiment of the screened opening for pants;

FIG. 13 is a front elevation view of the fourth embodiment of the screened opening for pants;

FIG. 14 is a rear elevation view of the fourth embodiment of the screened opening for pants;

FIG. 15 is a front perspective of the fourth embodiment of the screened opening for pants;

FIG. 16 is a rear perspective of the fourth embodiment of the screened opening for pants;

FIG. 17 is a front elevation view of the fifth embodiment of the screened opening for pants;

FIG. 18 is a rear elevation view of the fifth embodiment of the screened opening for pants;

FIG. 19 is a front perspective of the fifth embodiment of the screened opening for pants;

FIG. 20 is a rear perspective of the fifth embodiment of the screened opening for pants;

FIG. 21 is a front elevation view of the sixth embodiment of the screened opening for pants;

FIG. 22 is a rear elevation view of the sixth embodiment of the screened opening for pants shown unornamented;

FIG. 23 is a front perspective of the sixth embodiment of the screened opening for pants unornamented.

FIG. 24 is a rear perspective of the sixth embodiment of the screened opening for pants shown ornamented.

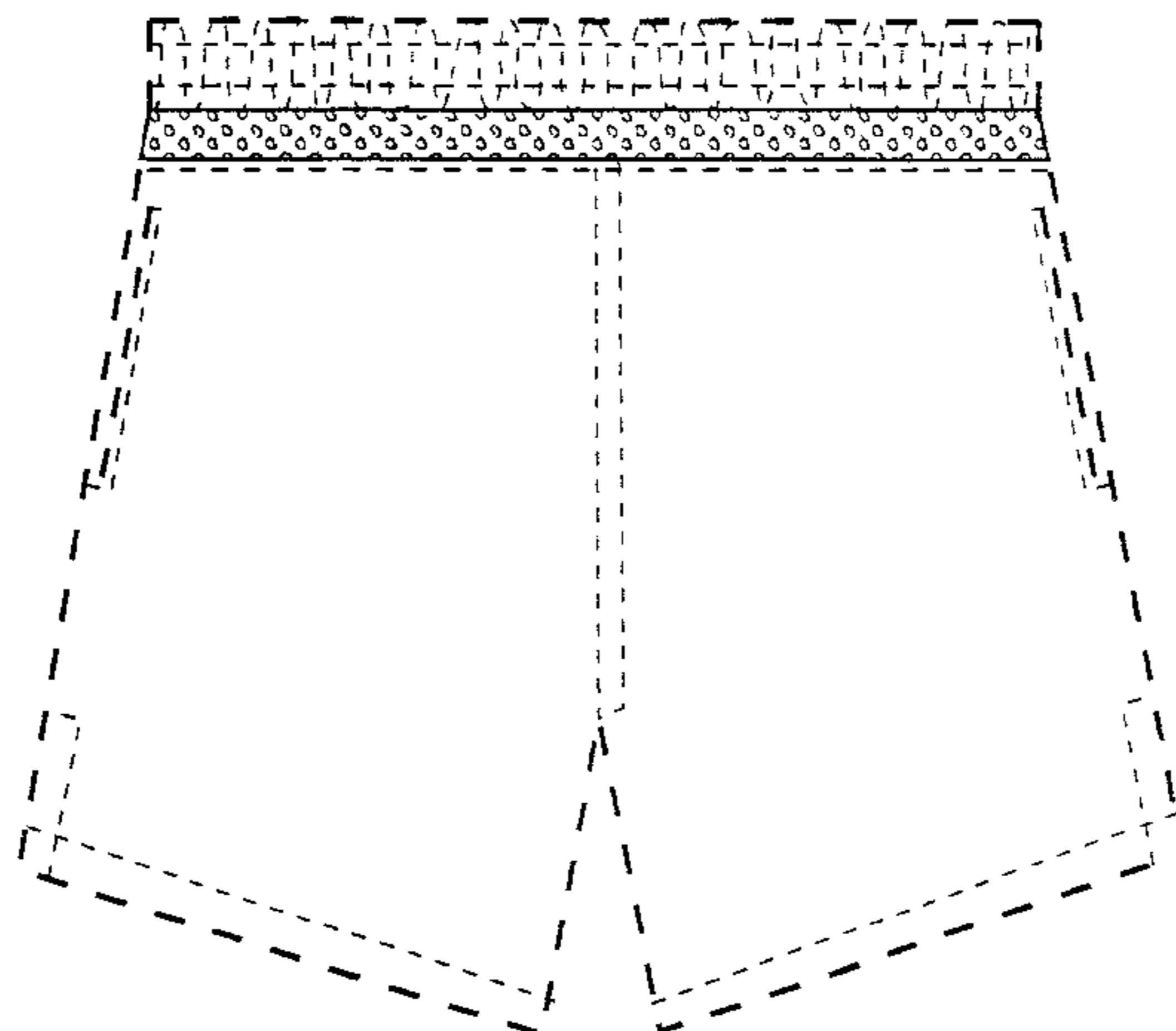


FIG. **25** is a front elevation view of the seventh embodiment of the screened opening for pants;

FIG. **26** is a rear elevation view of the seventh embodiment of the screened opening for pants;

FIG. **27** is a front perspective of the seventh embodiment of the screened opening for pants;

FIG. **28** is a rear perspective of the seventh embodiment of the screened opening for pants;

FIG. **29** is a front elevation view of the eighth embodiment of the screened opening for pants;

FIG. **30** is a rear elevation view of the eighth embodiment of the screened opening for pants;

FIG. **31** is a front perspective of the eighth embodiment of the screened opening for pants; and,

FIG. **32** is a rear perspective of the eighth embodiment of the screened opening for pants.

The broken lines are for illustrative purposes only and form no part of the claimed design.

1 Claim, 16 Drawing Sheets

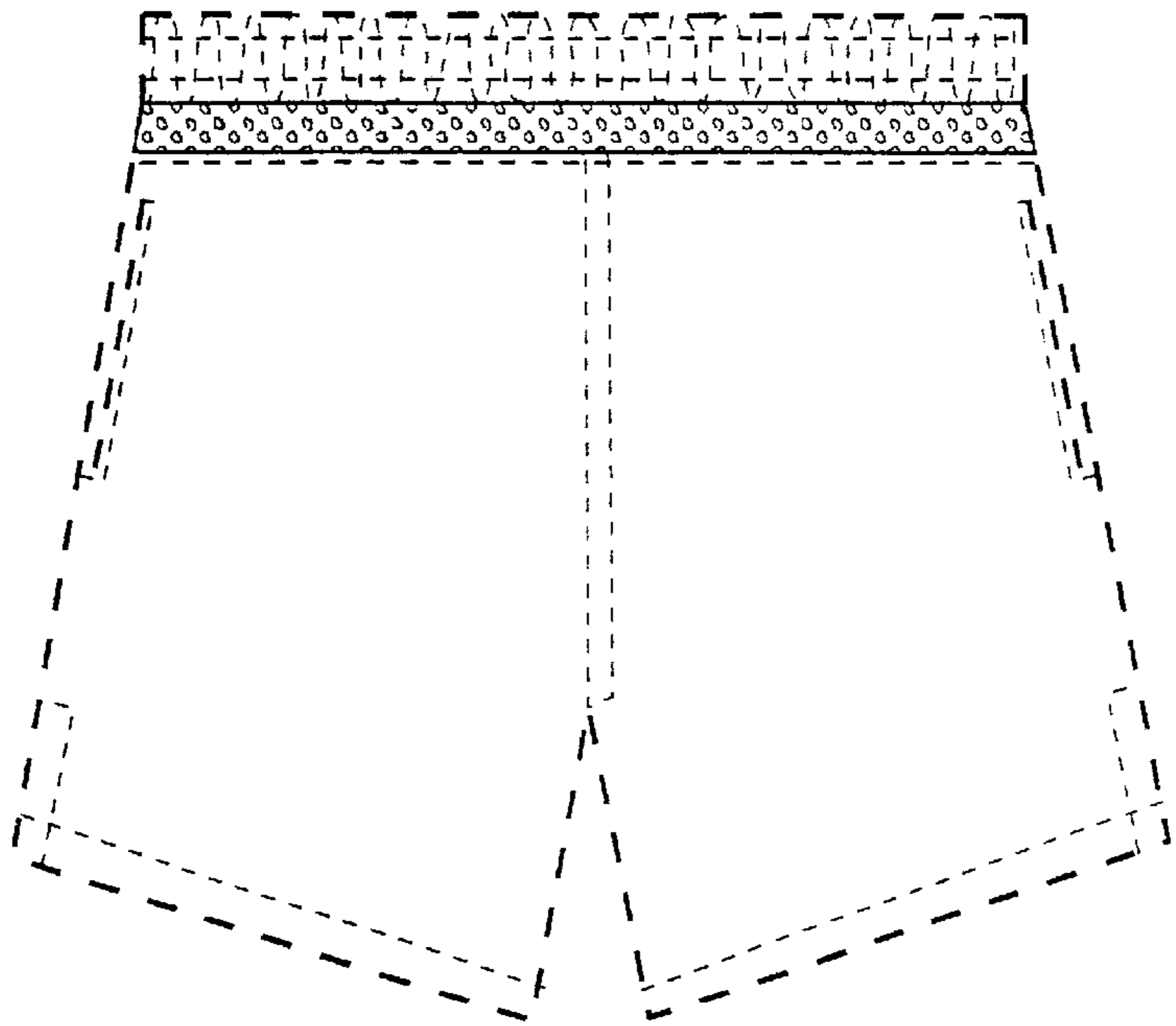


Fig. 1

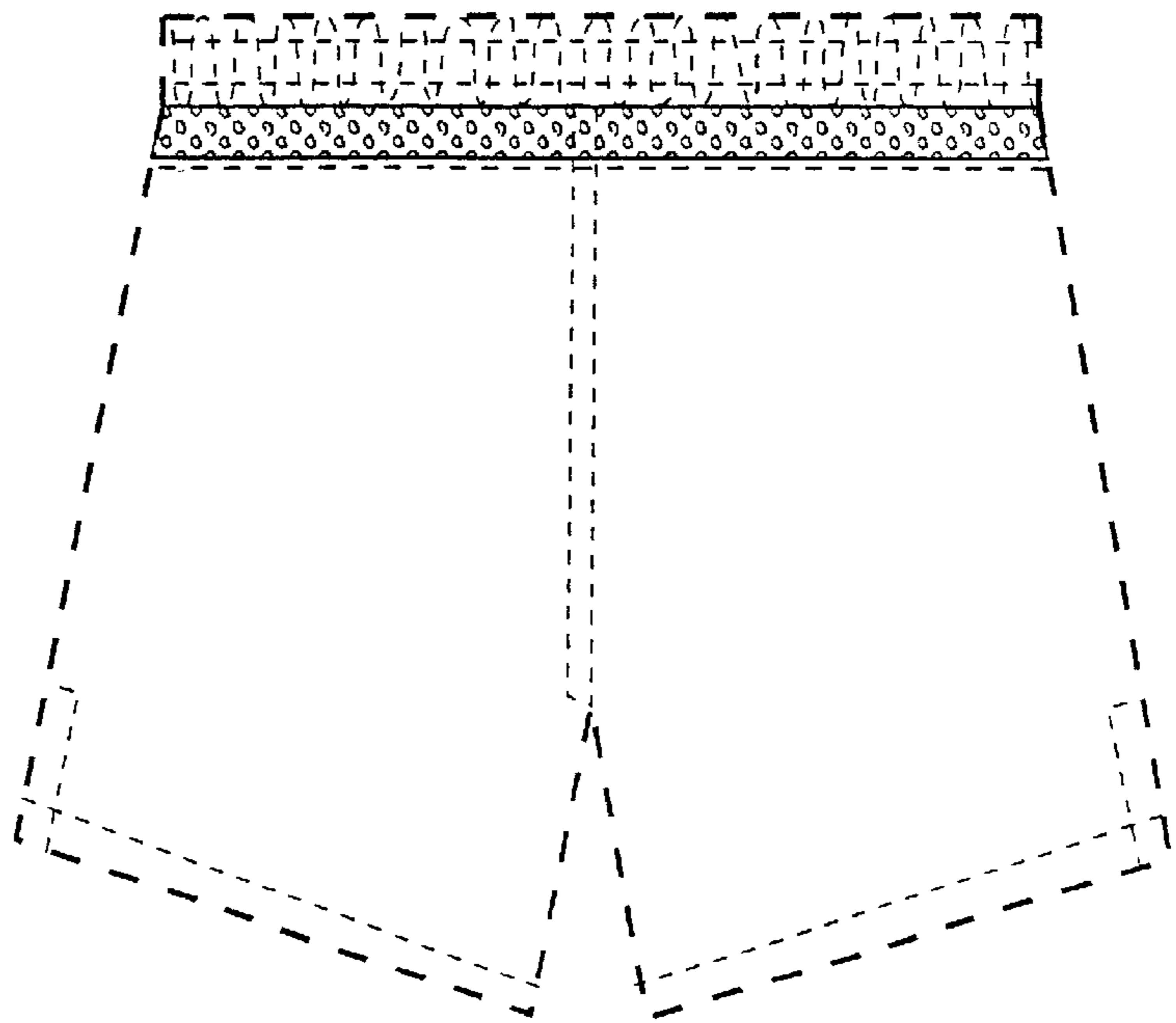


Fig. 2

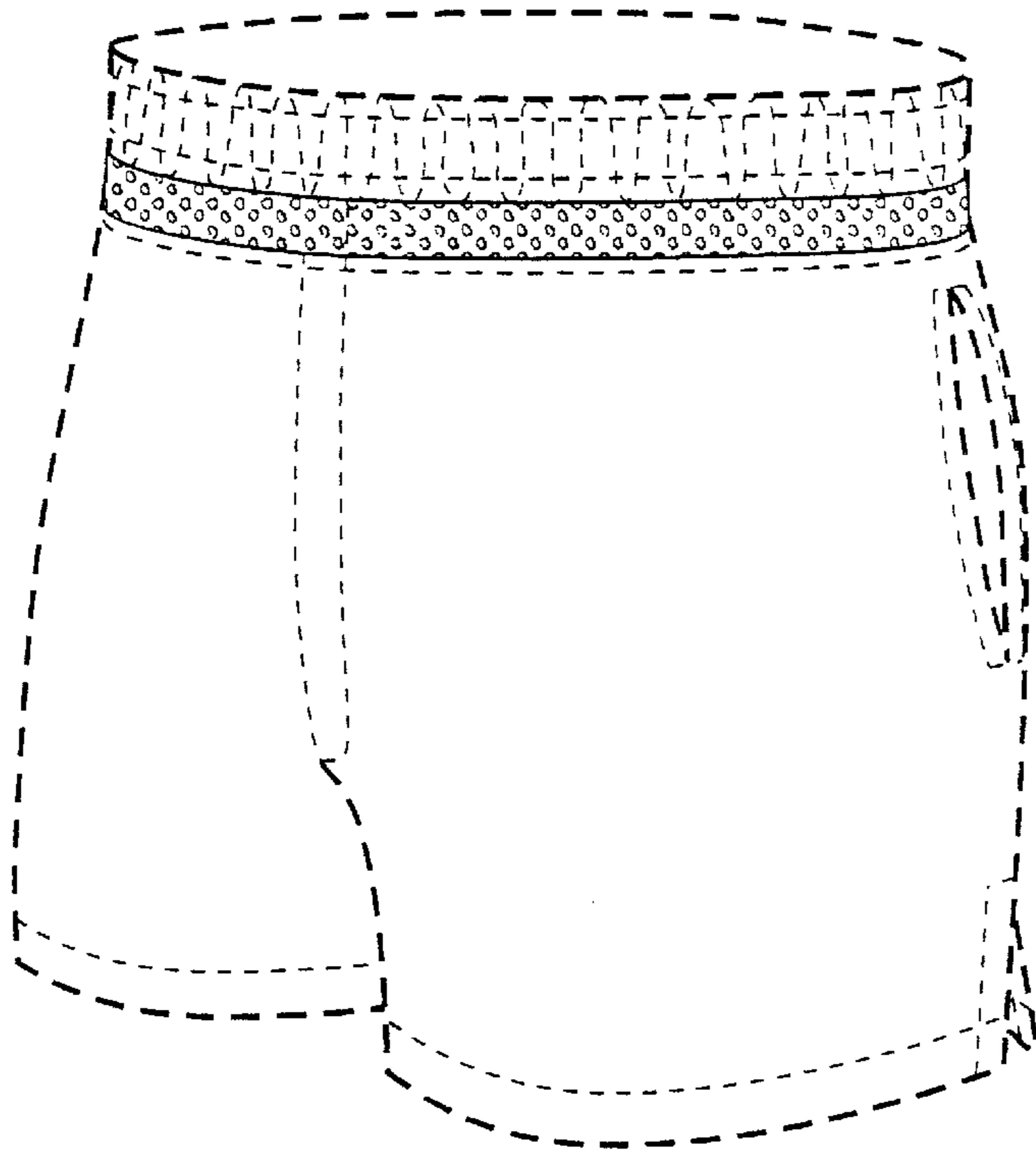


Fig. 3

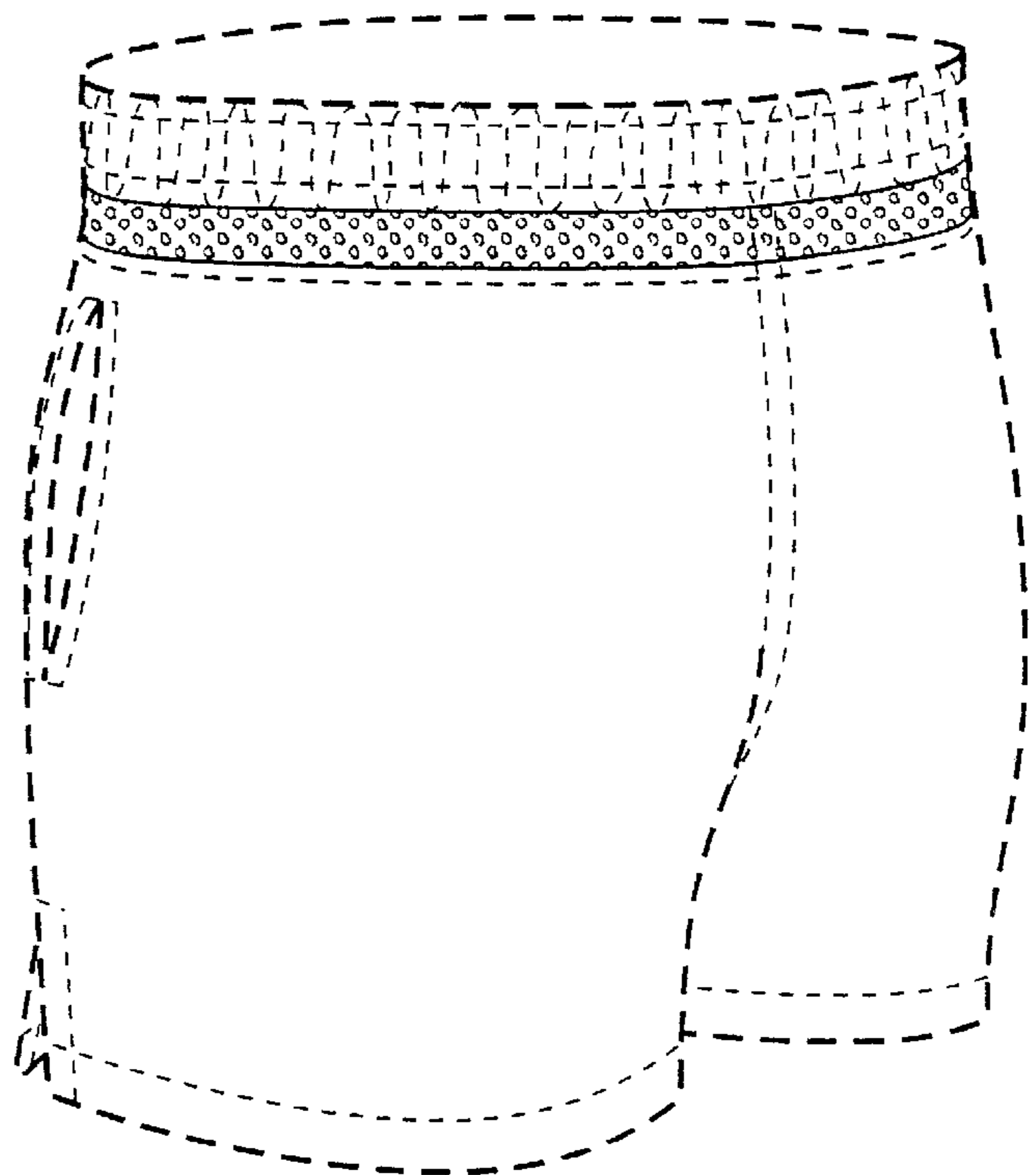


Fig. 4

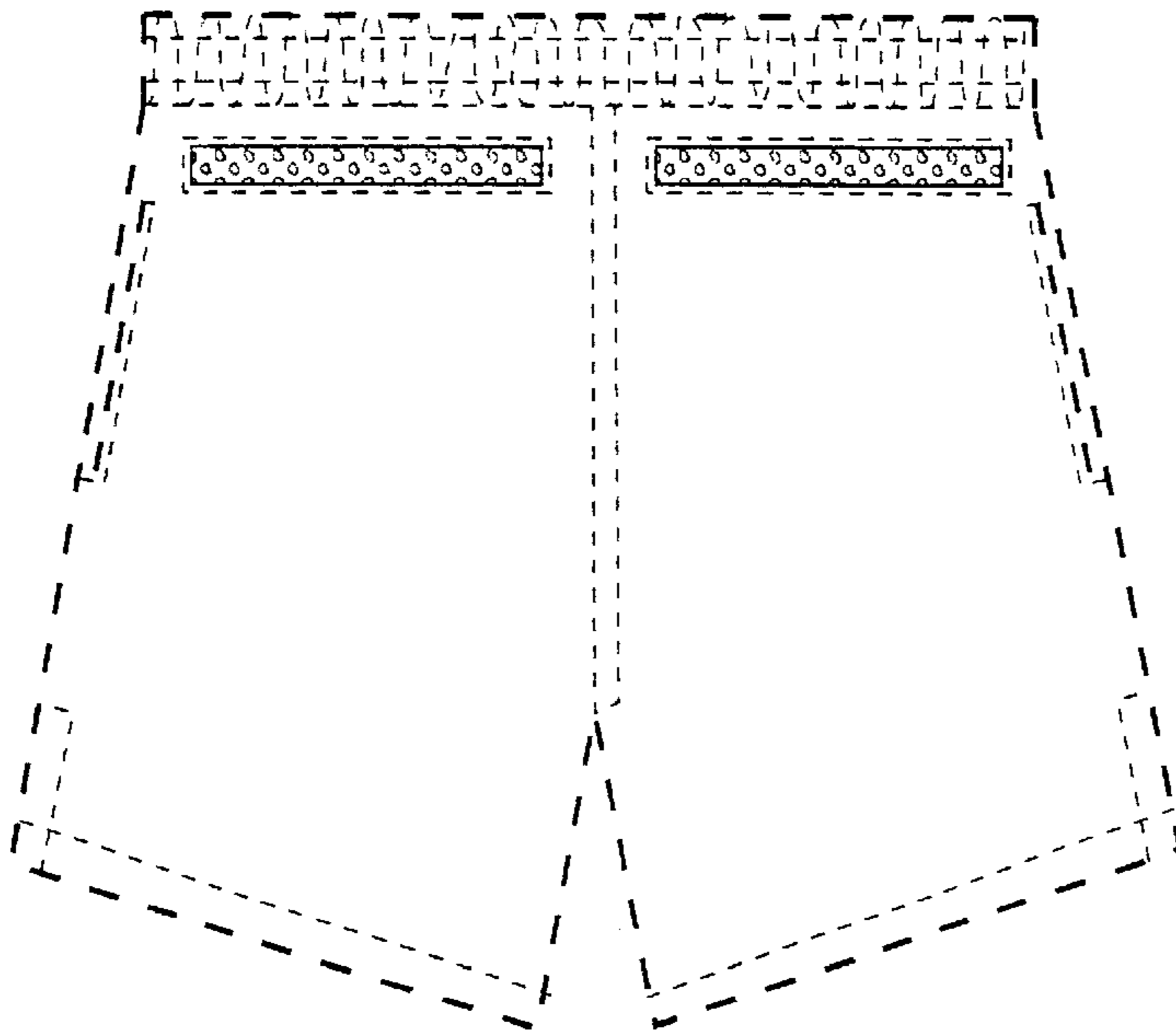


Fig. 5

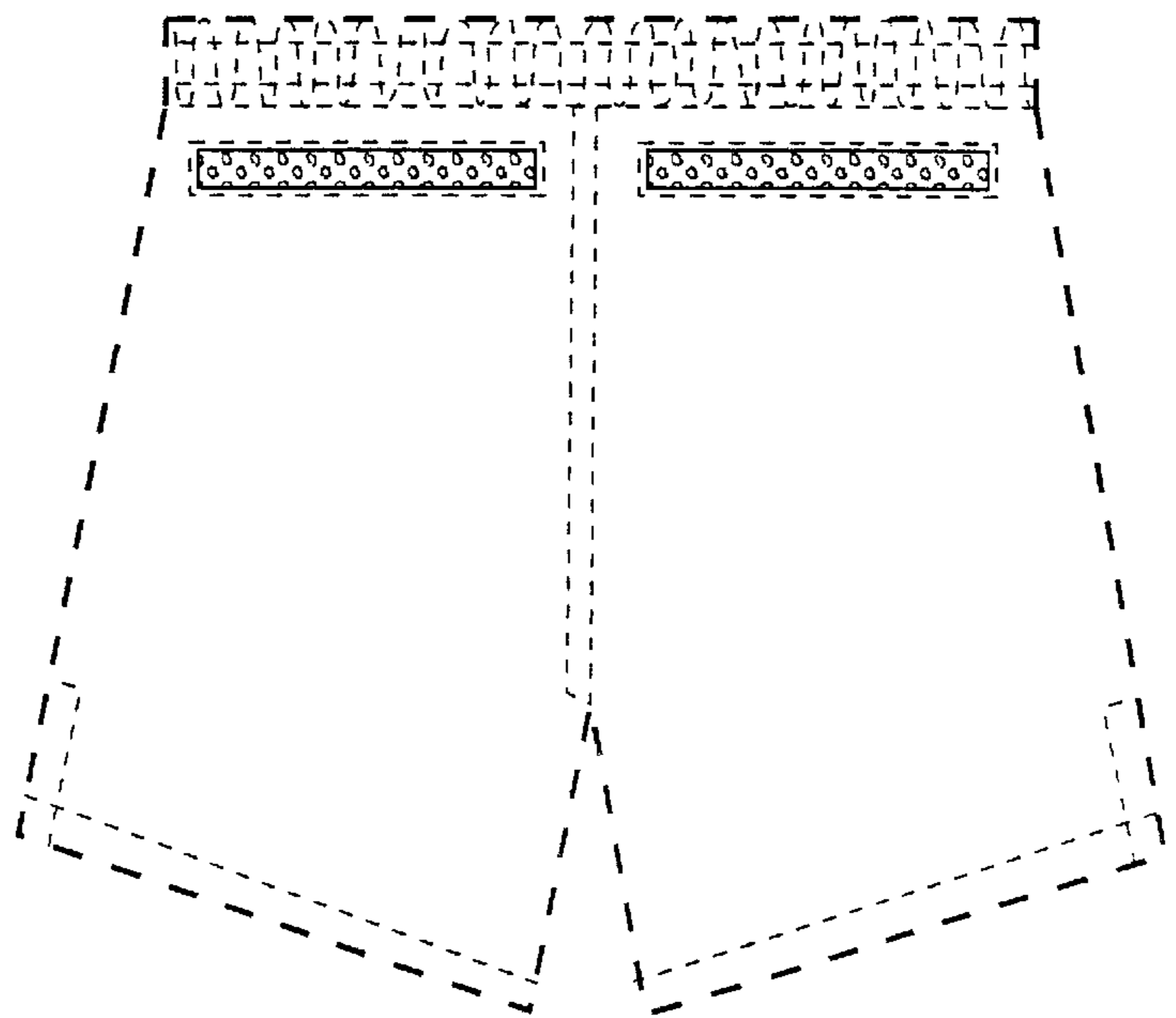


Fig. 6

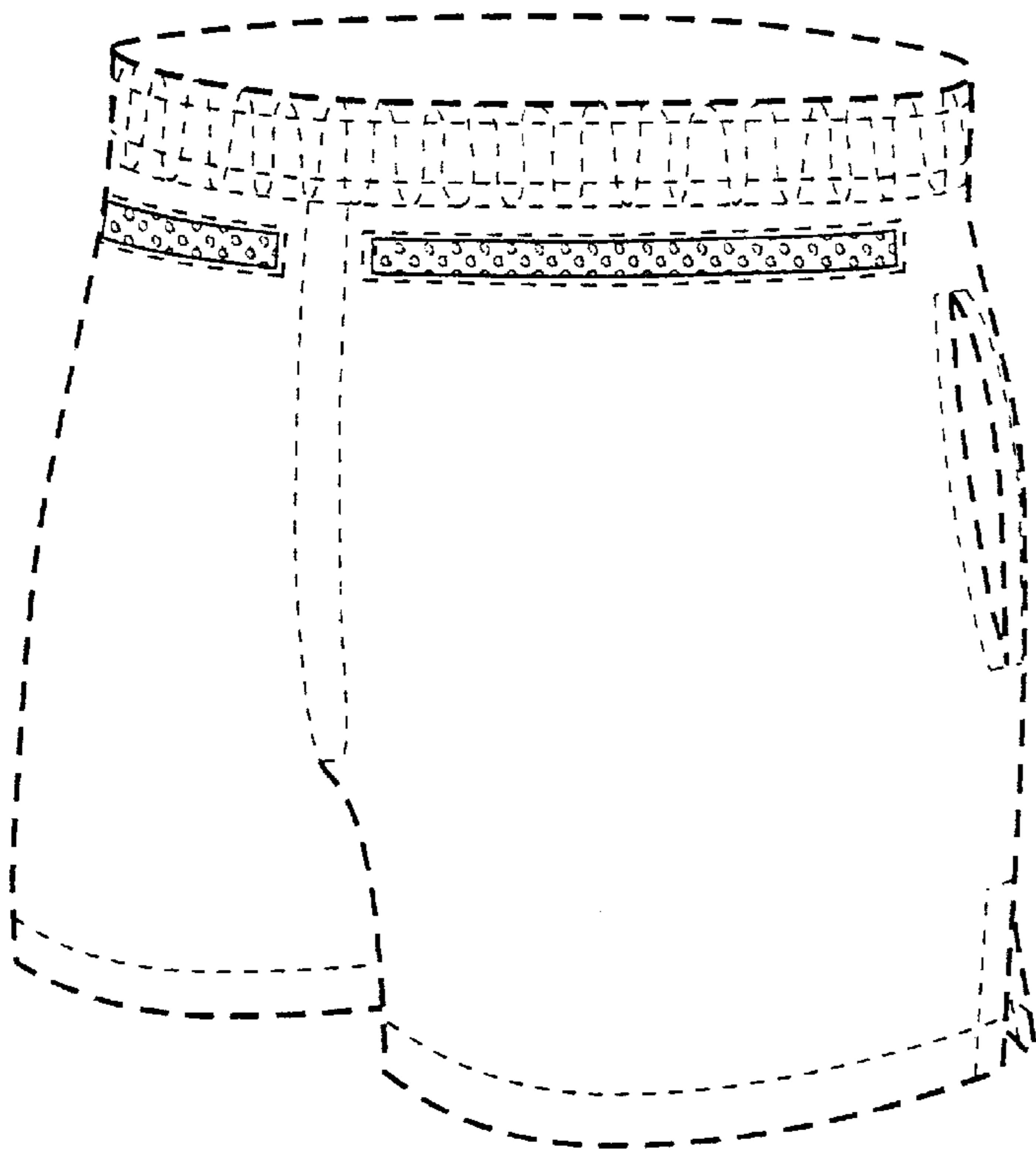


Fig. 7

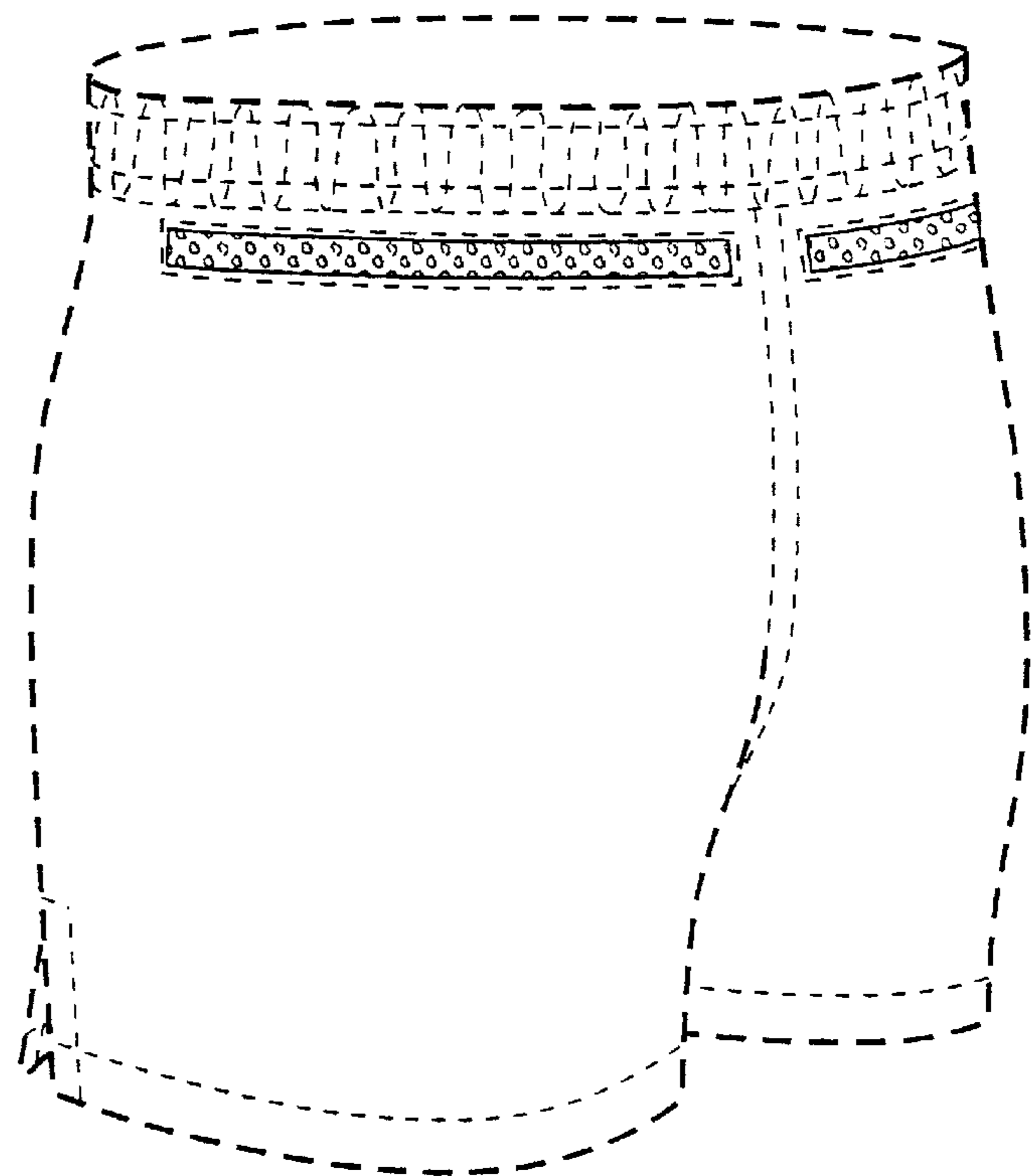


Fig. 8

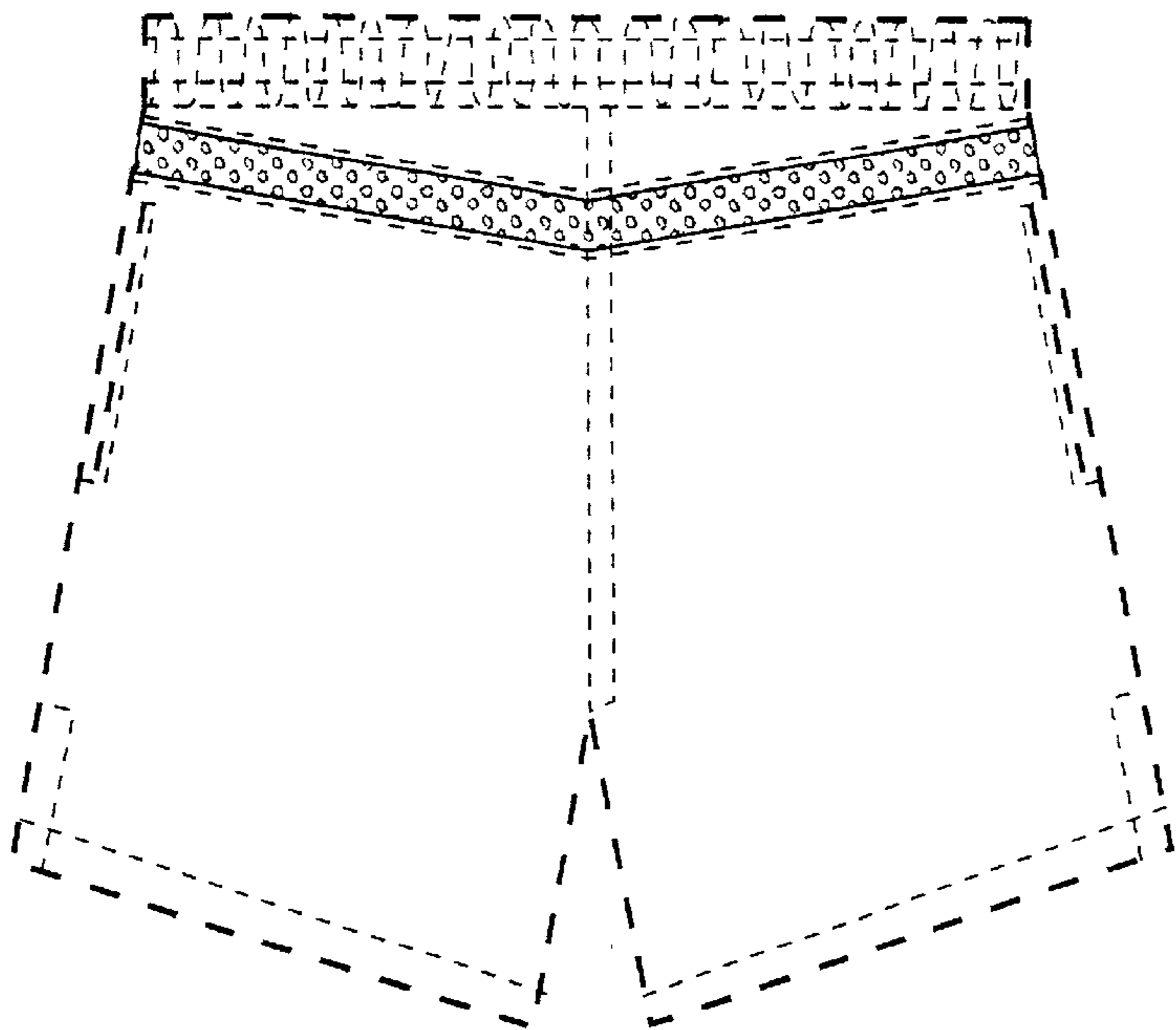


Fig. 9

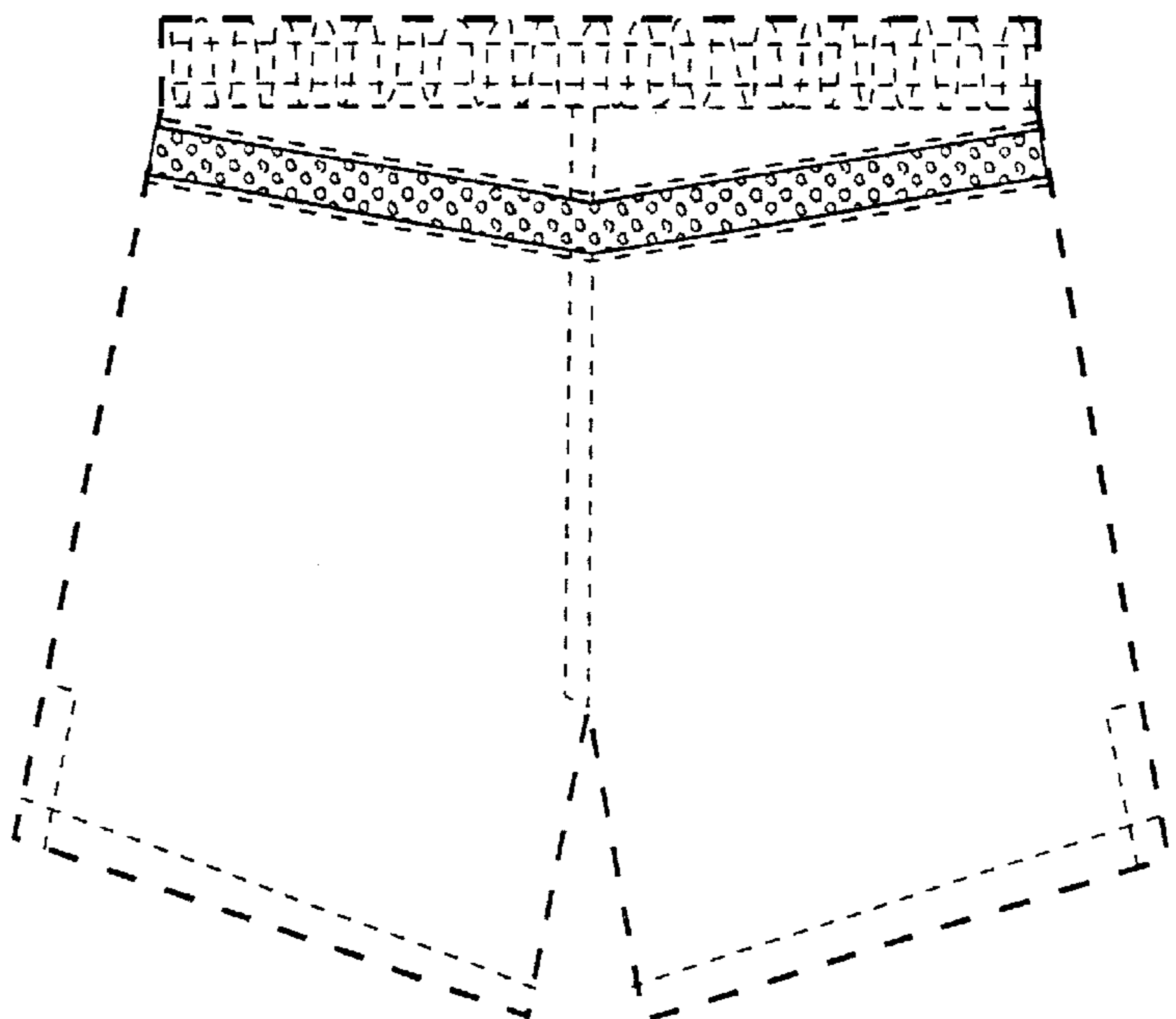


Fig. 10

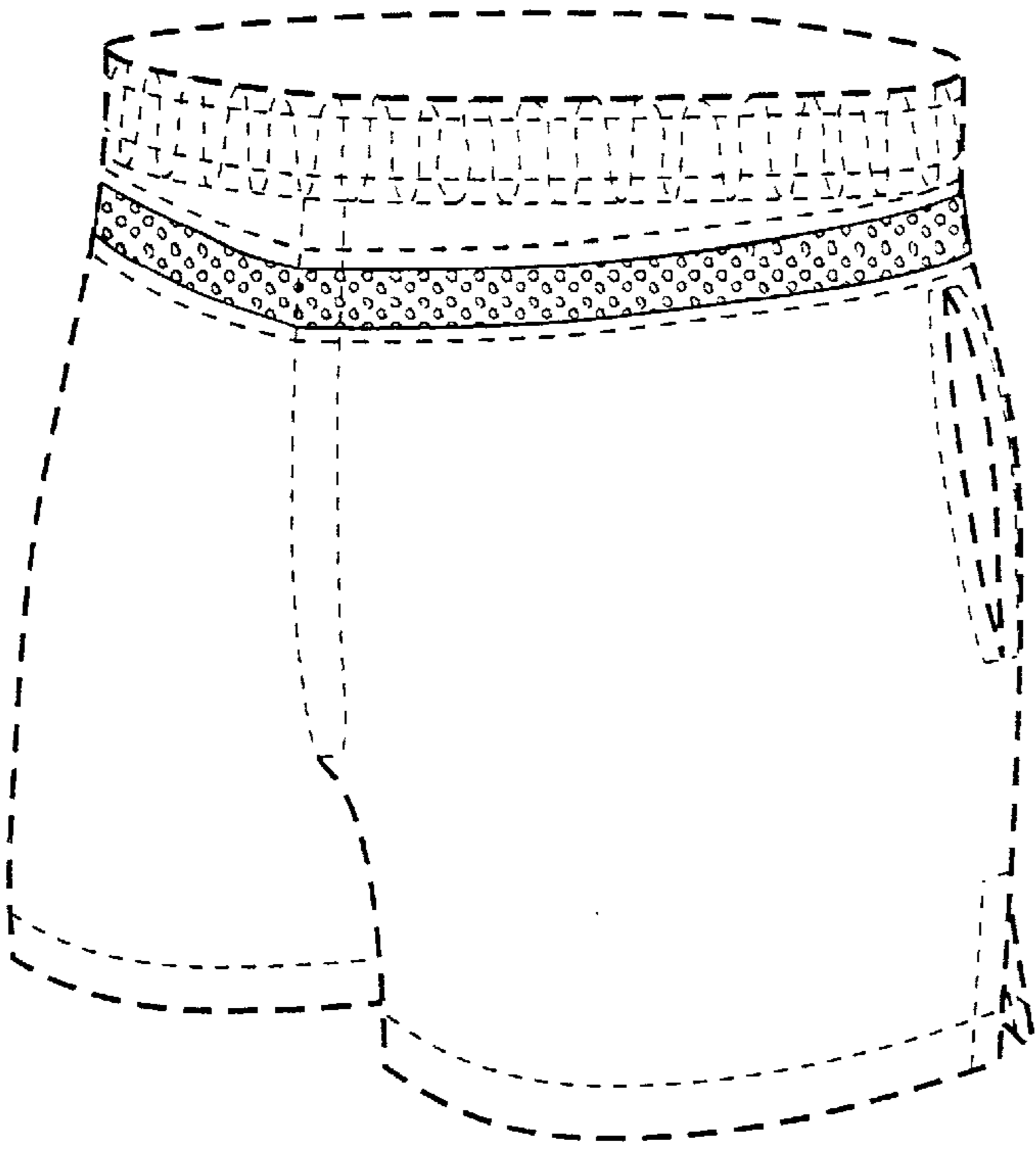


Fig. 11

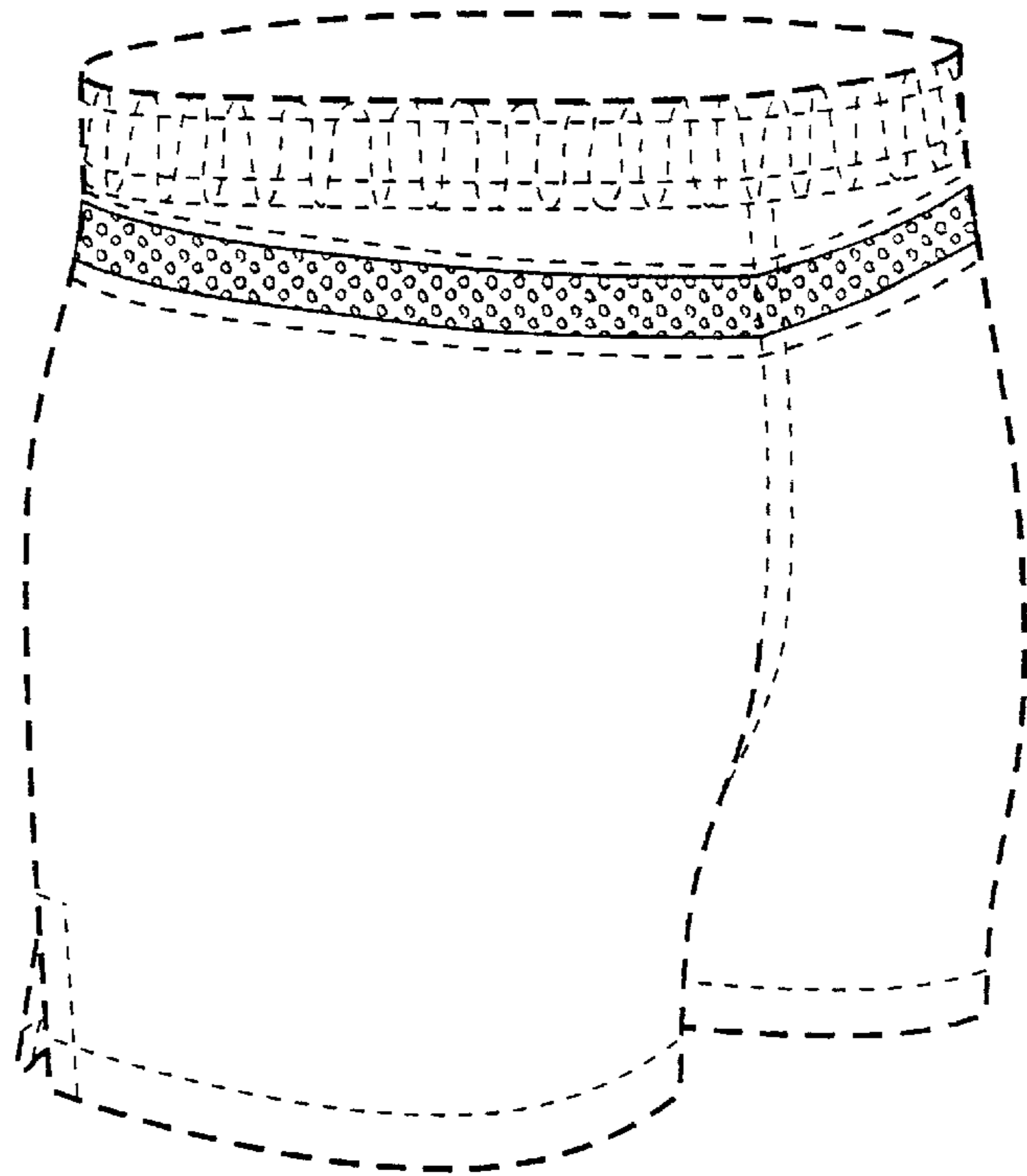


Fig. 12

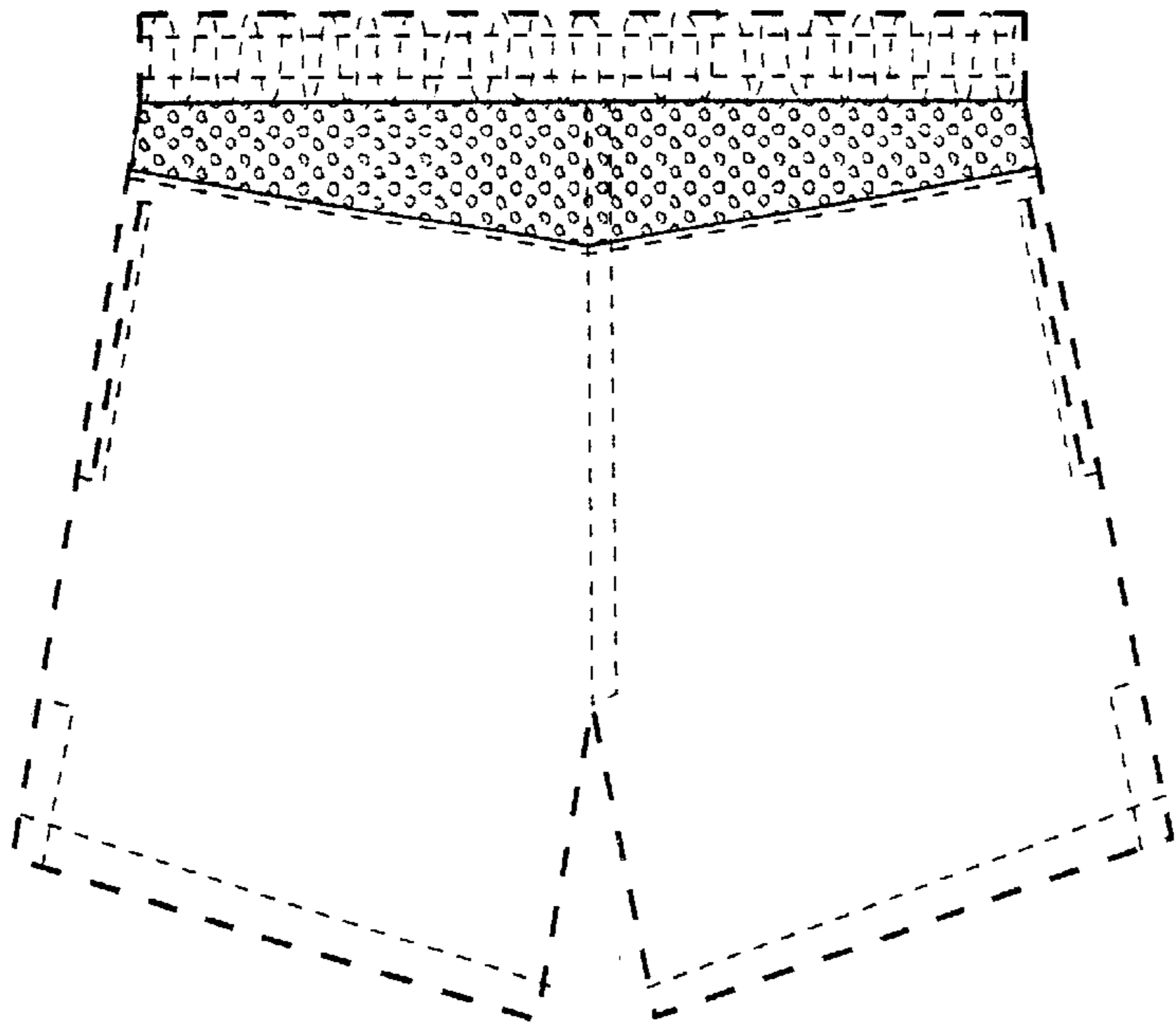


Fig. 13

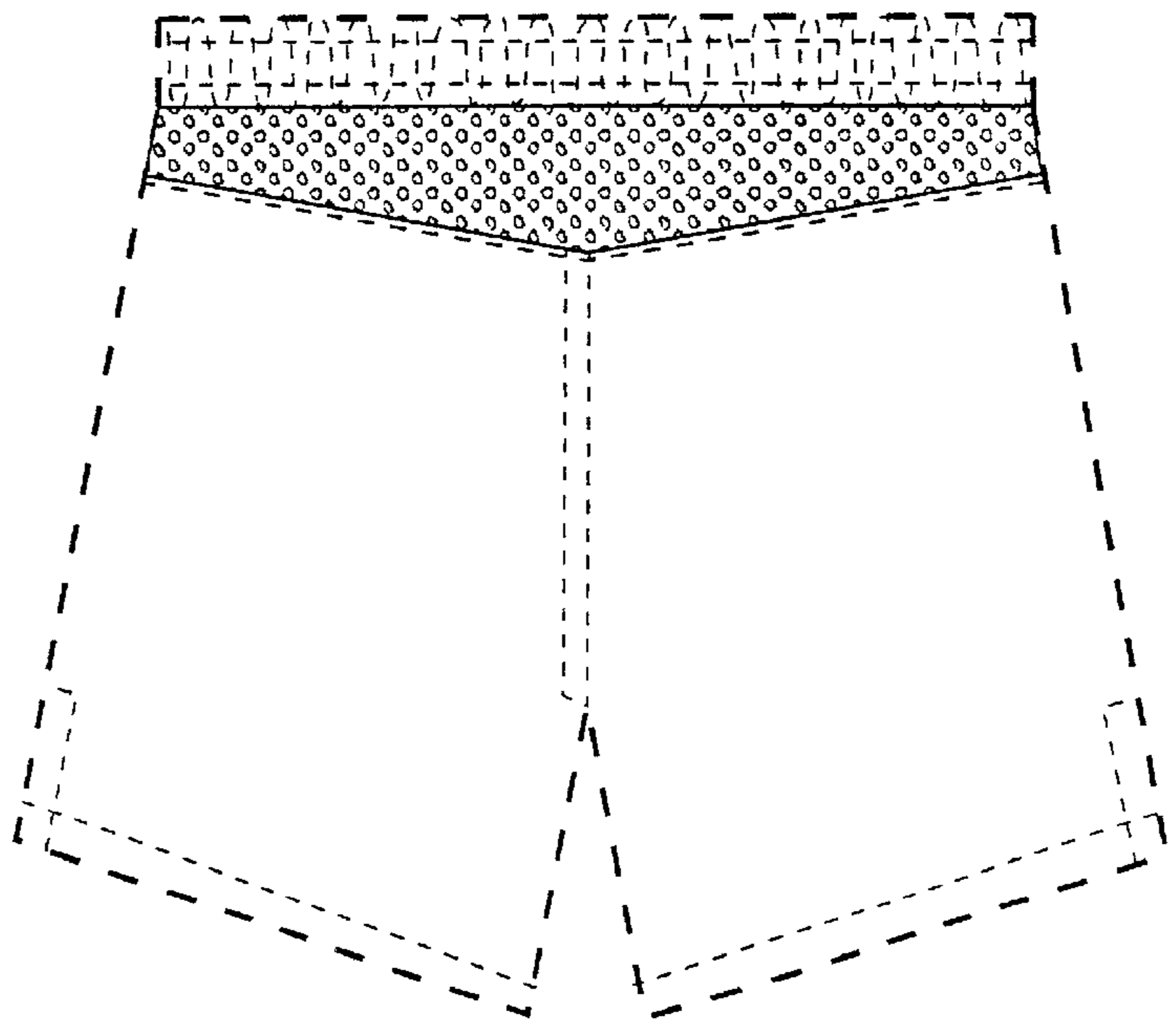


Fig. 14

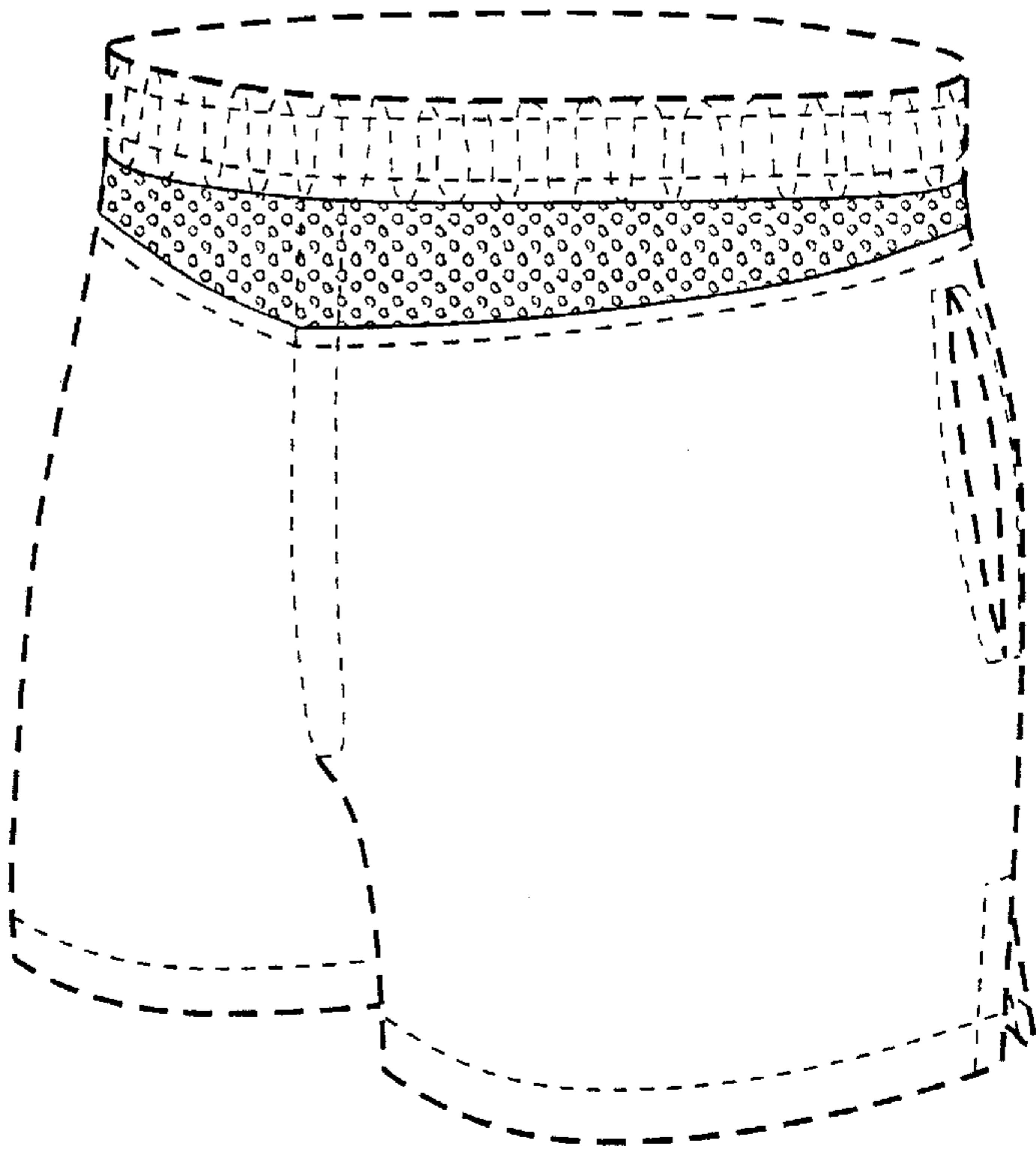


Fig. 15

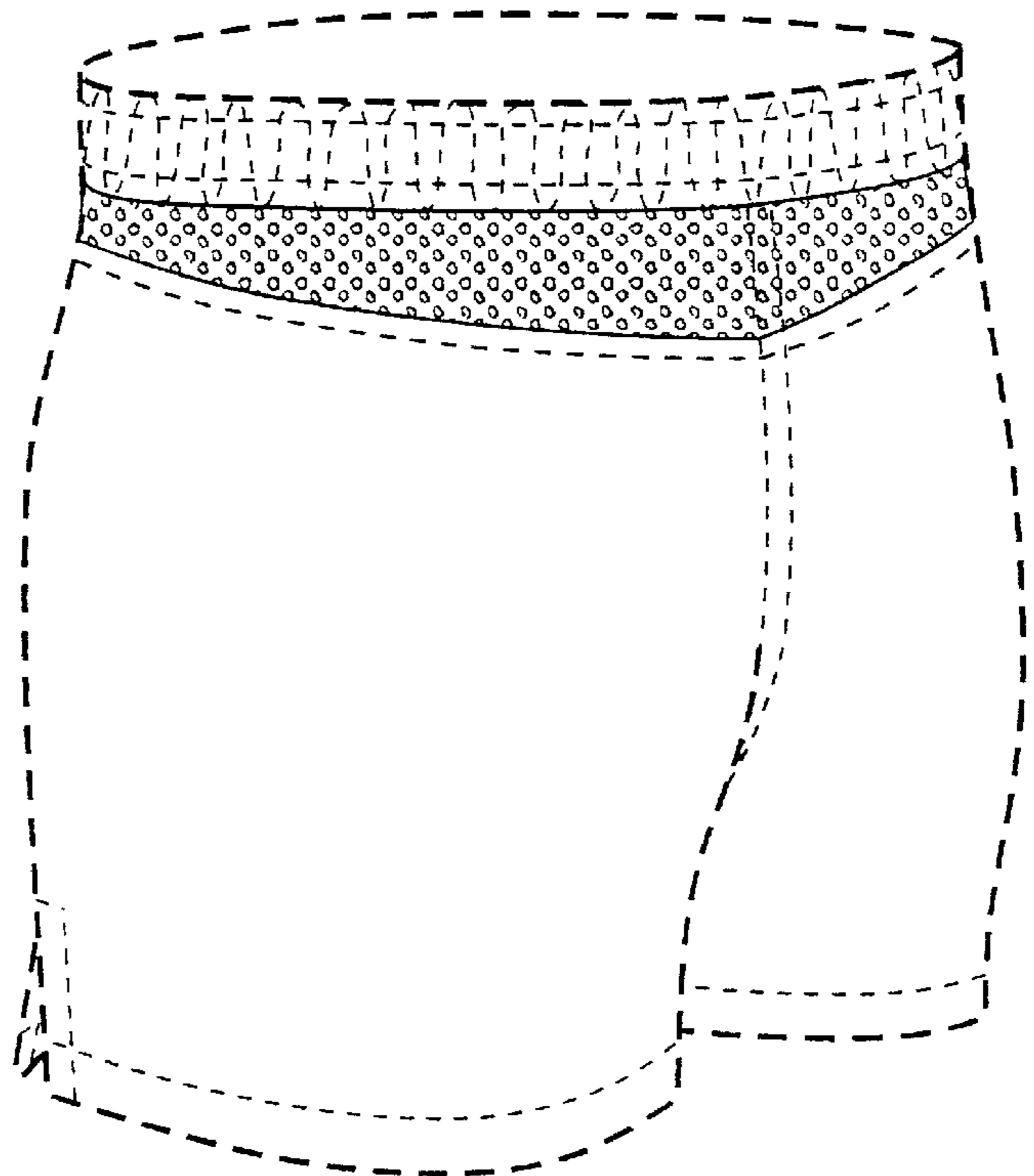


Fig. 16

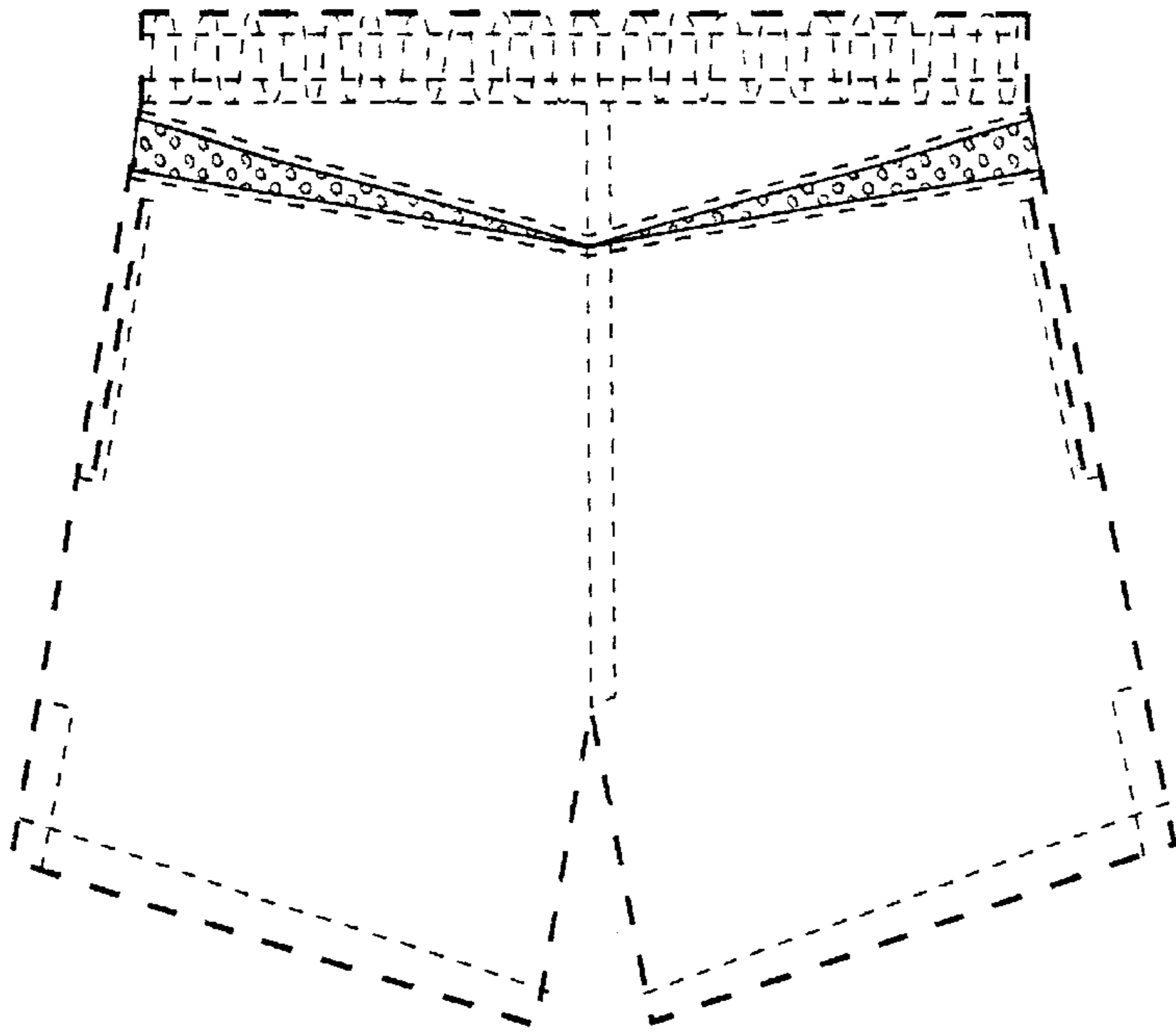


Fig. 17

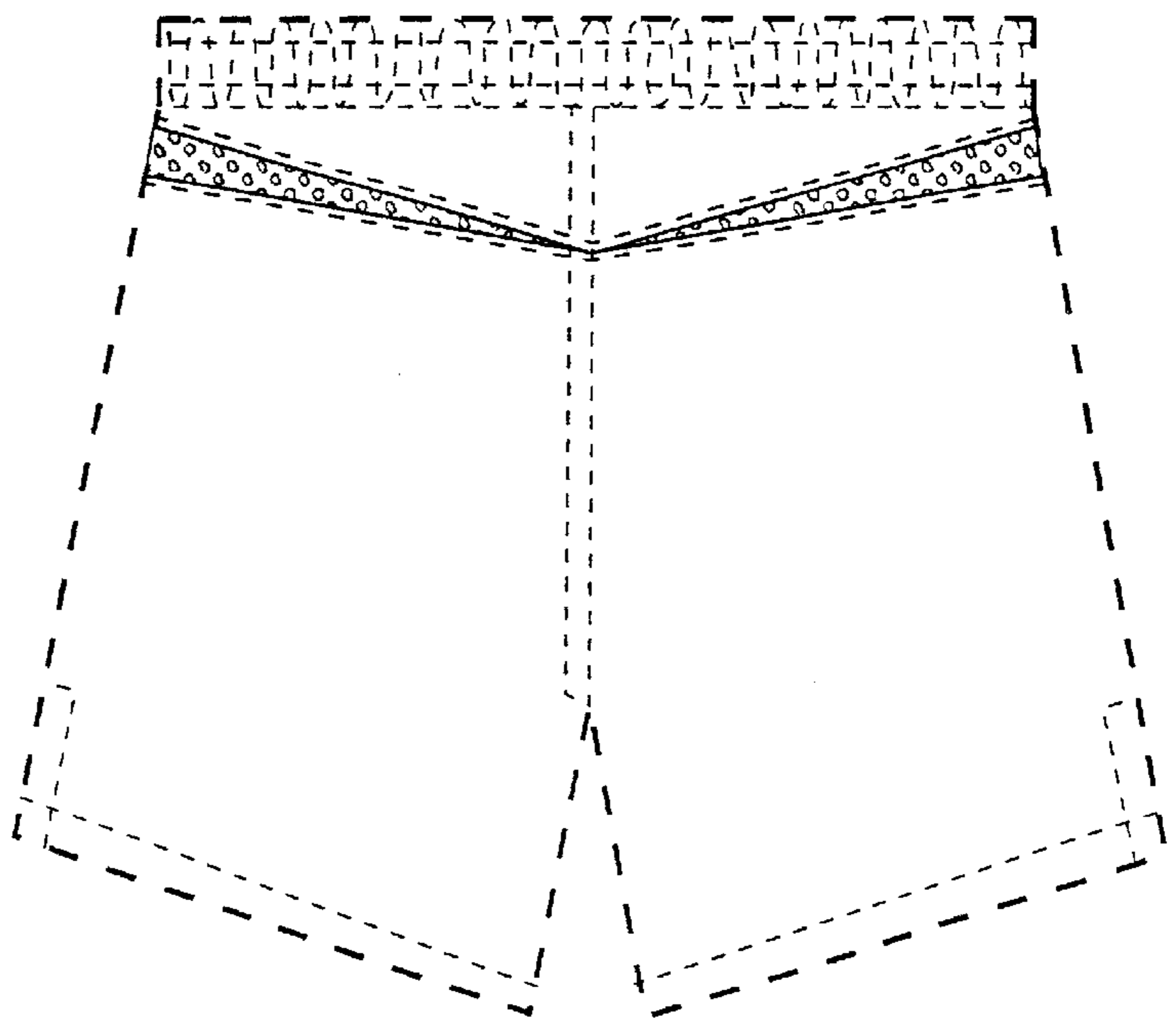


Fig. 18

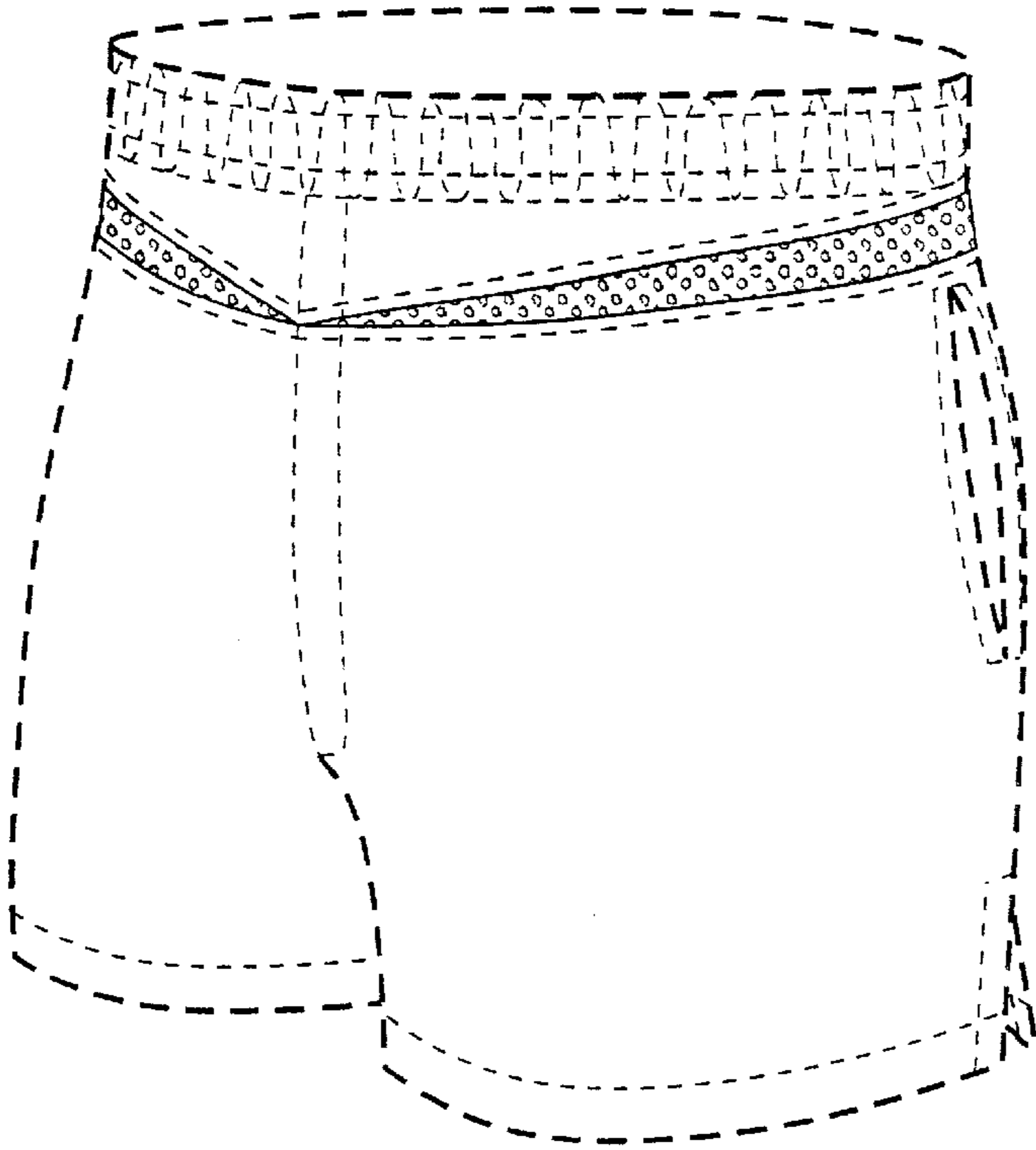


Fig. 19

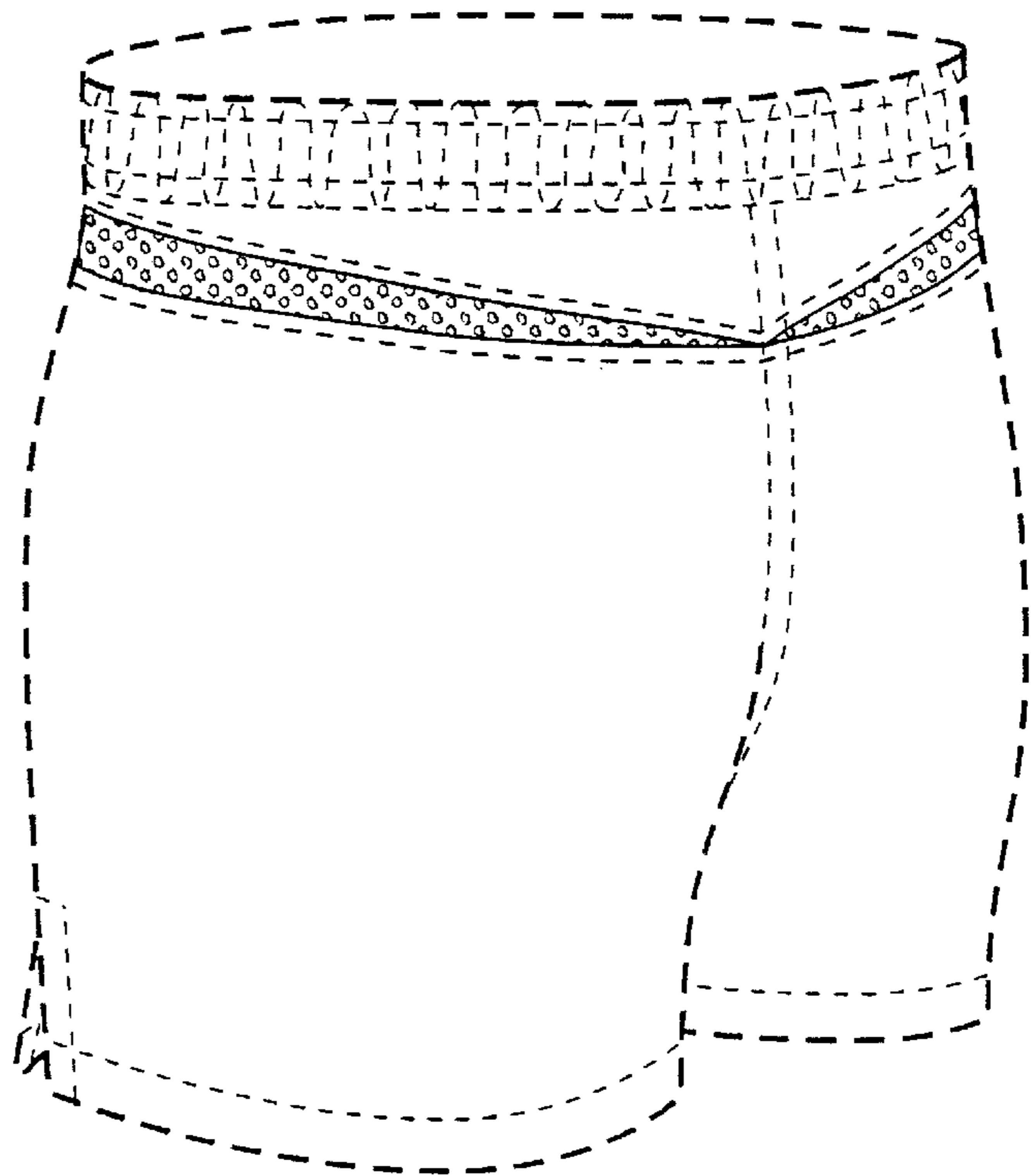


Fig. 20

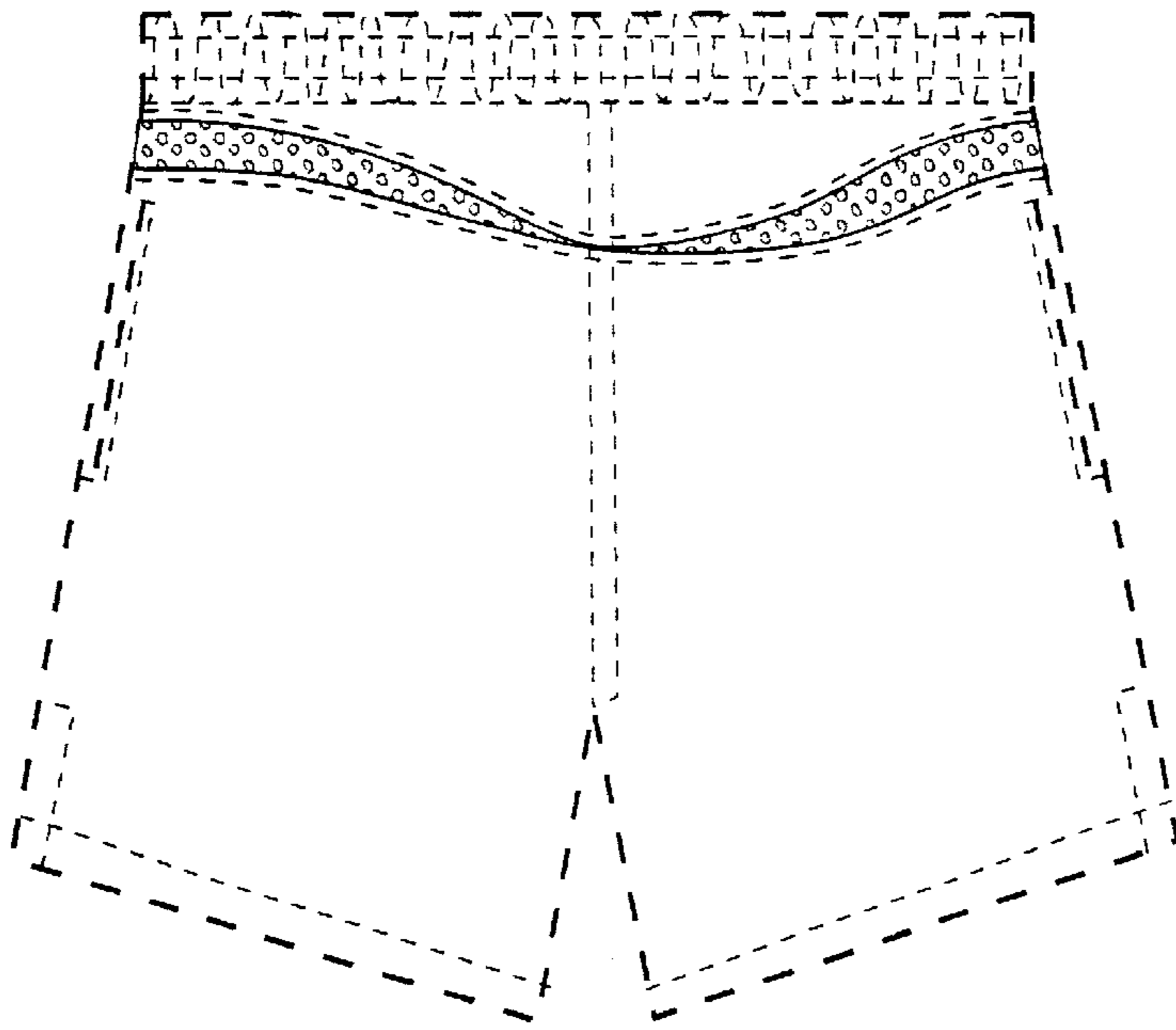


Fig. 21

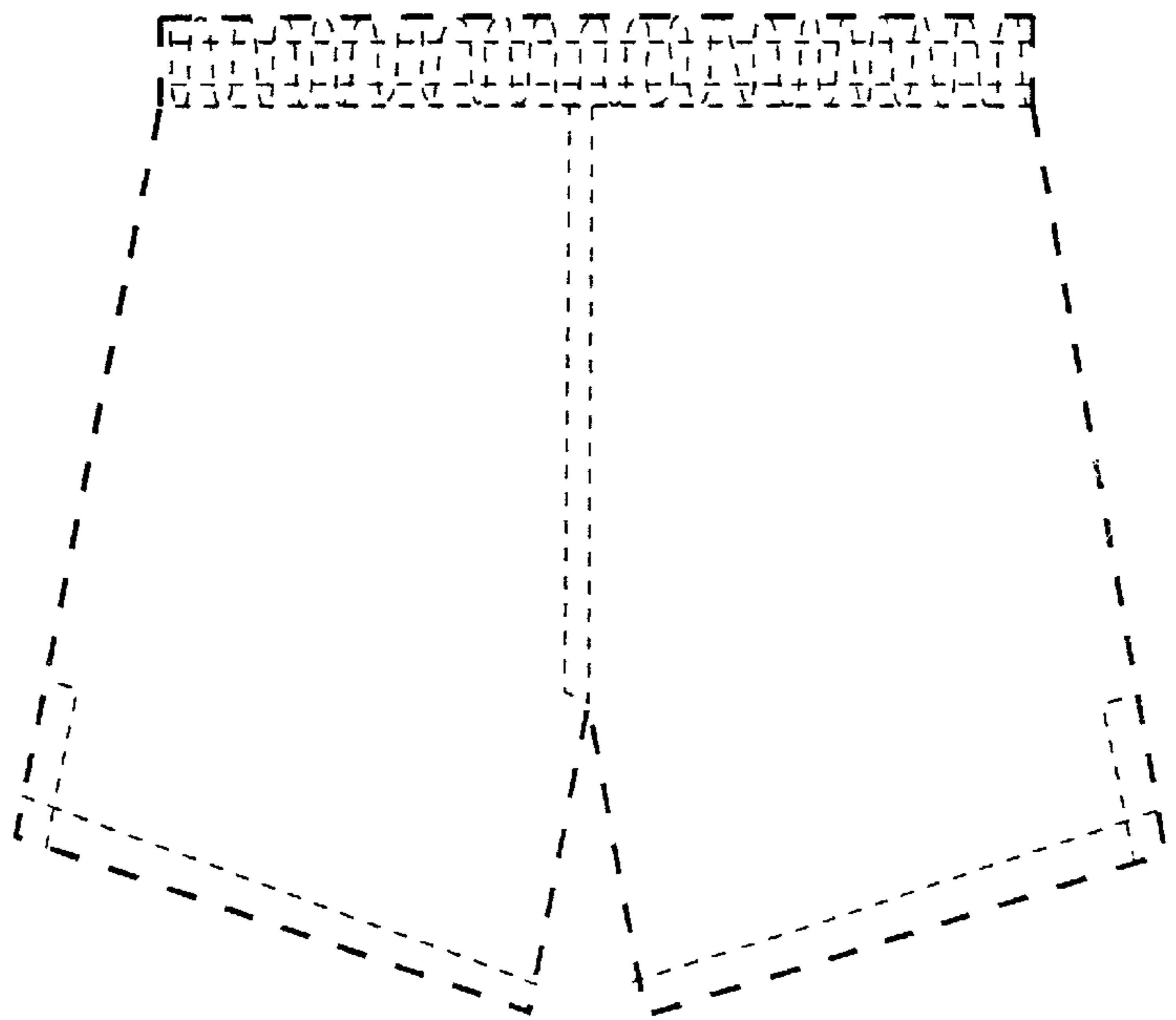


Fig. 22

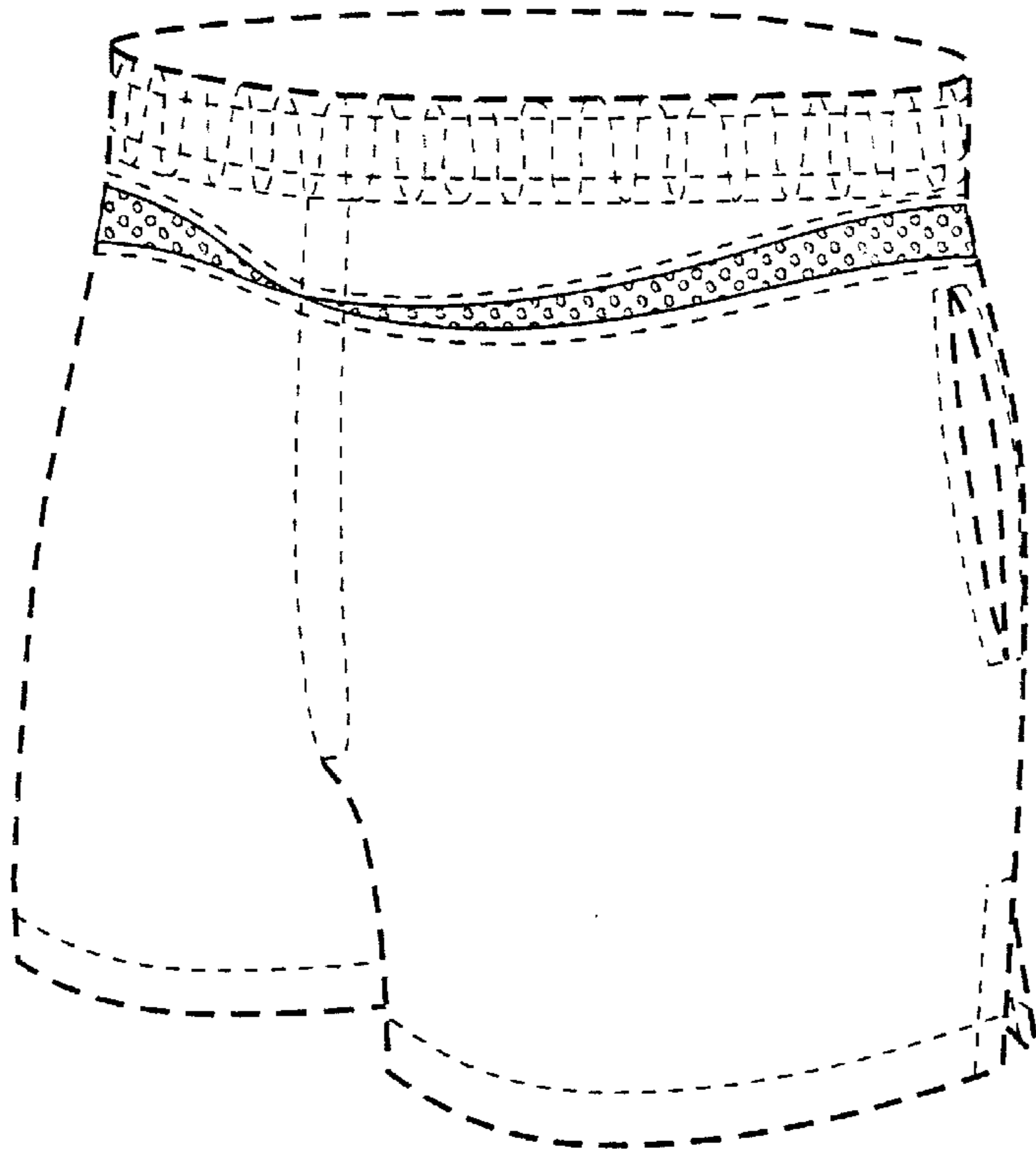


Fig. 23

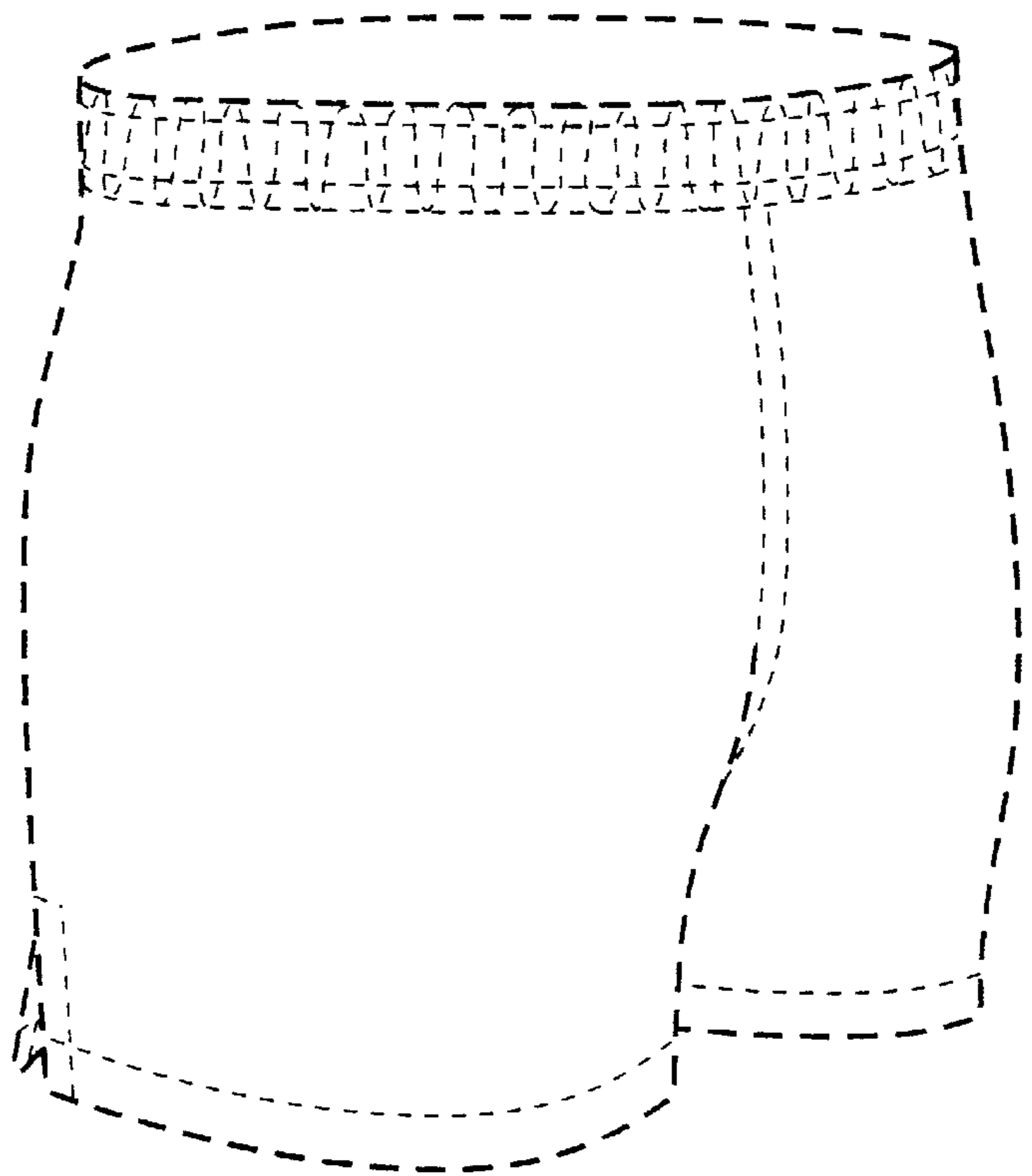


Fig. 24

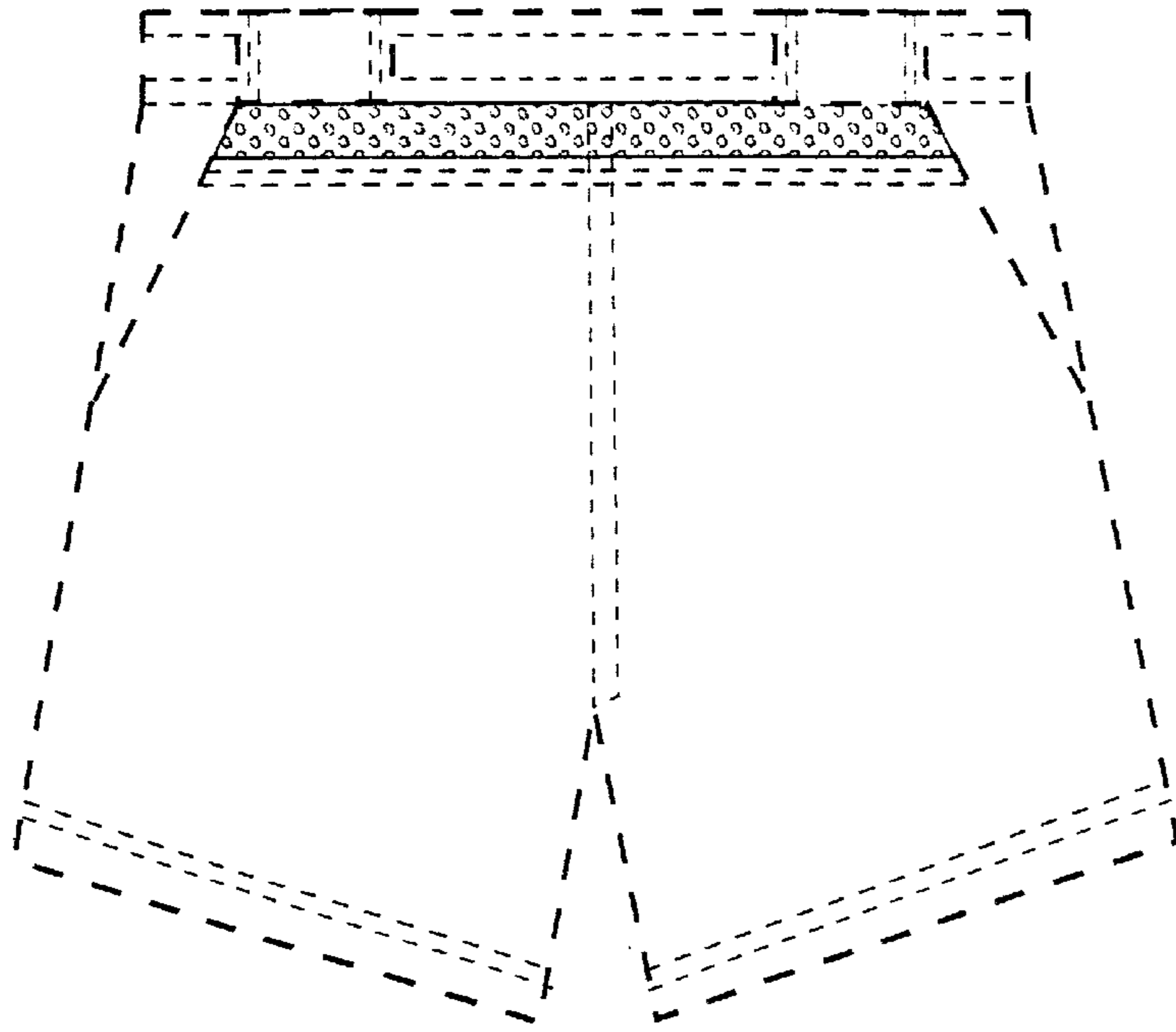


Fig. 25

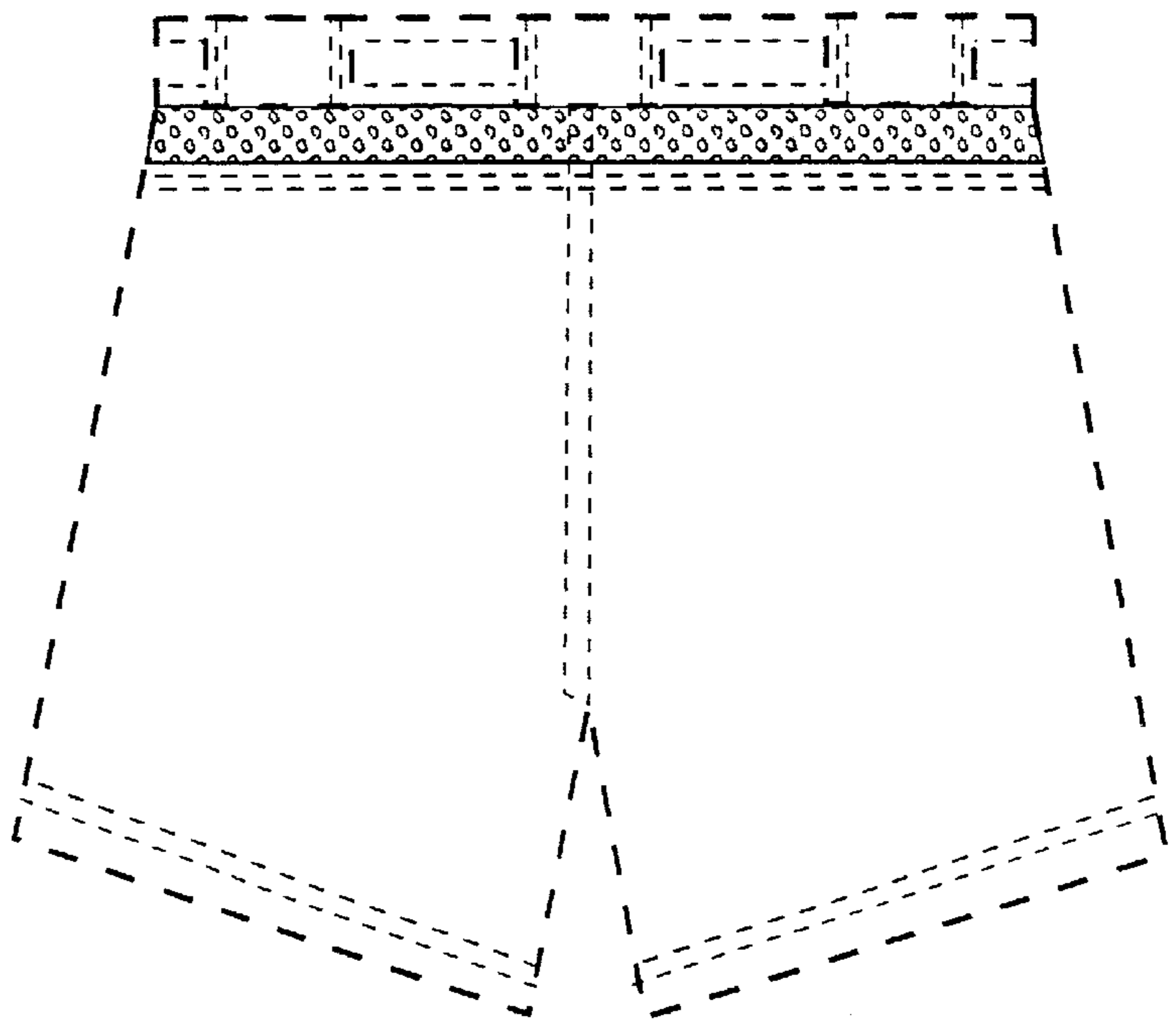


Fig. 26

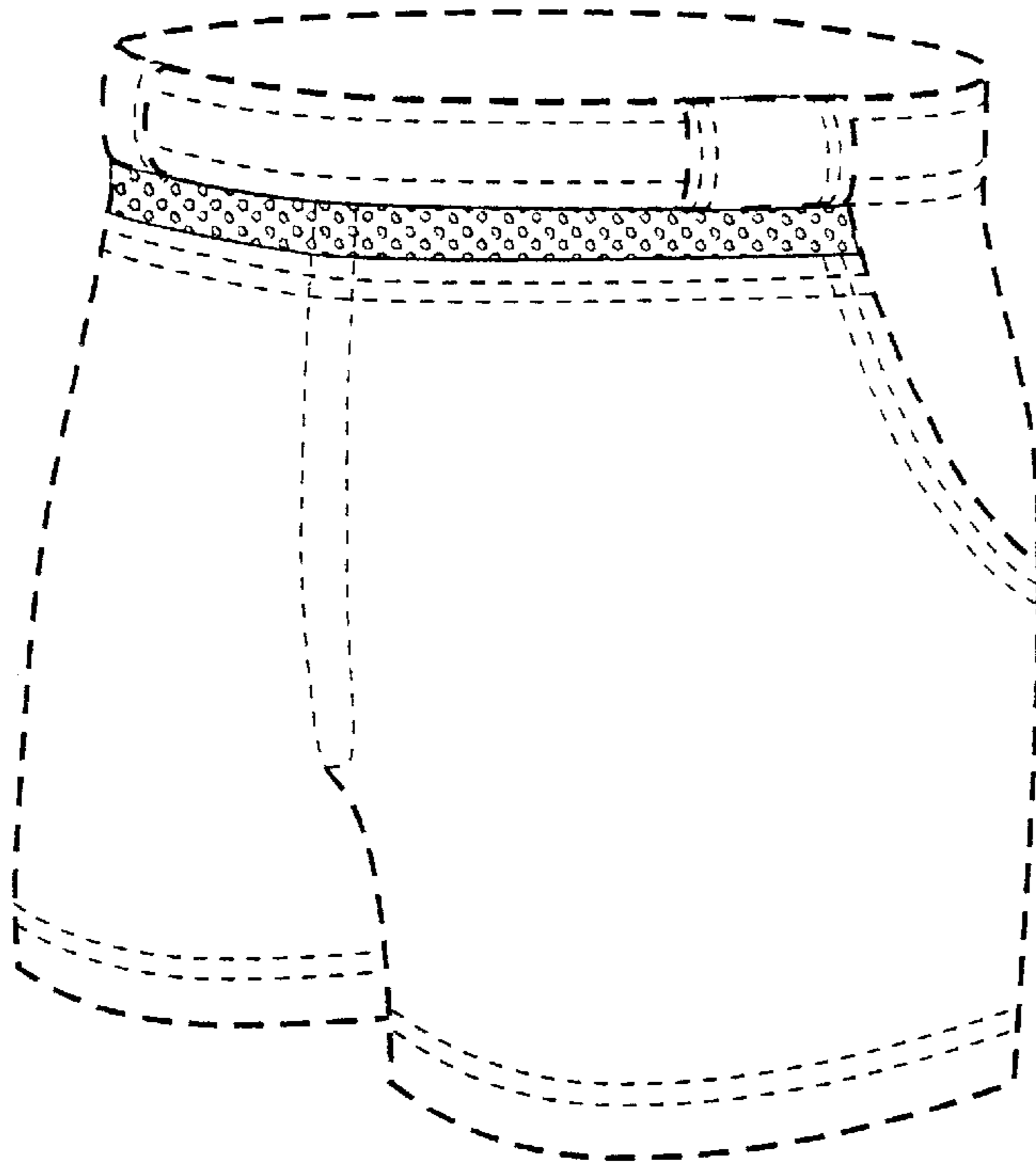


Fig. 27

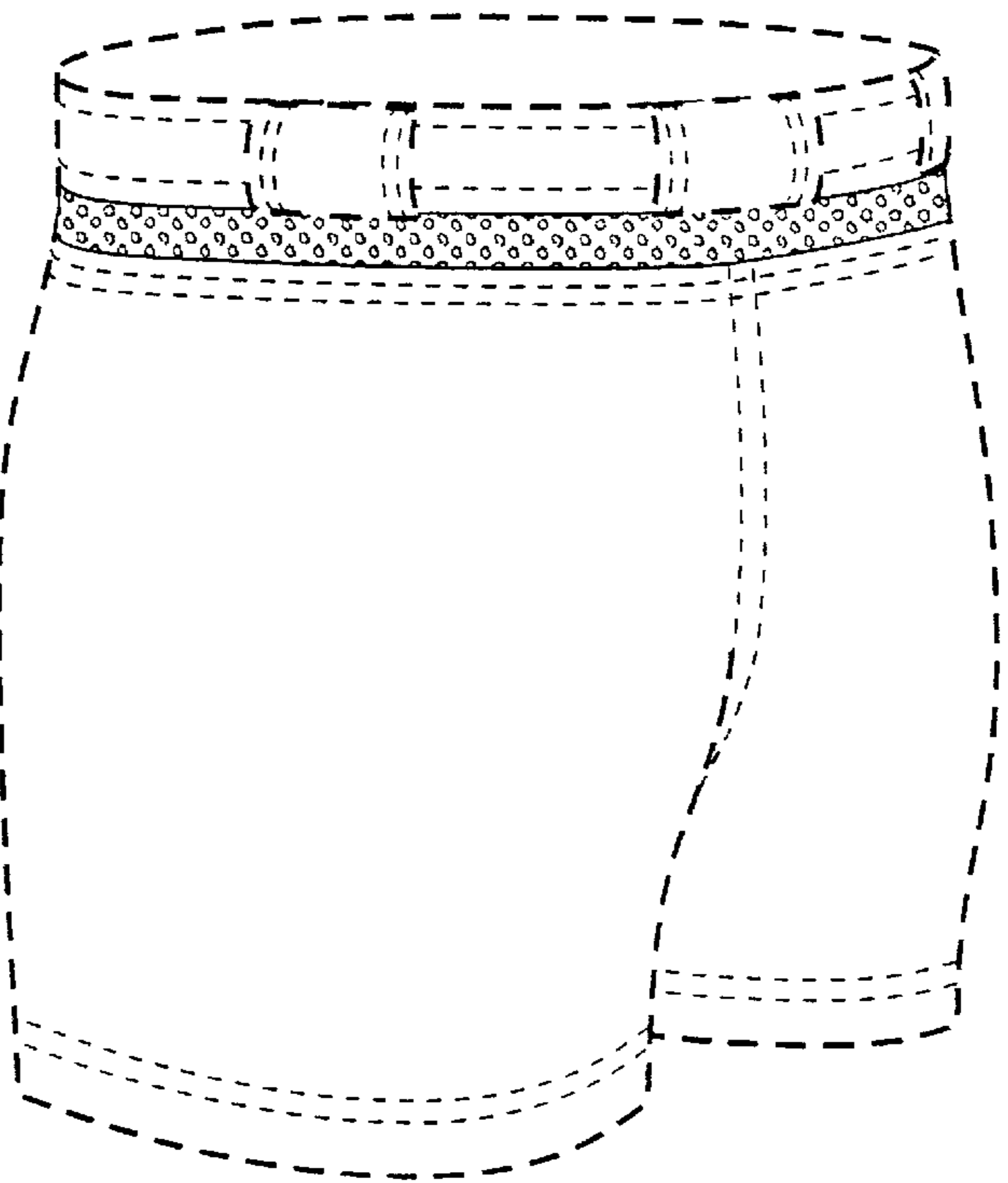


Fig. 28

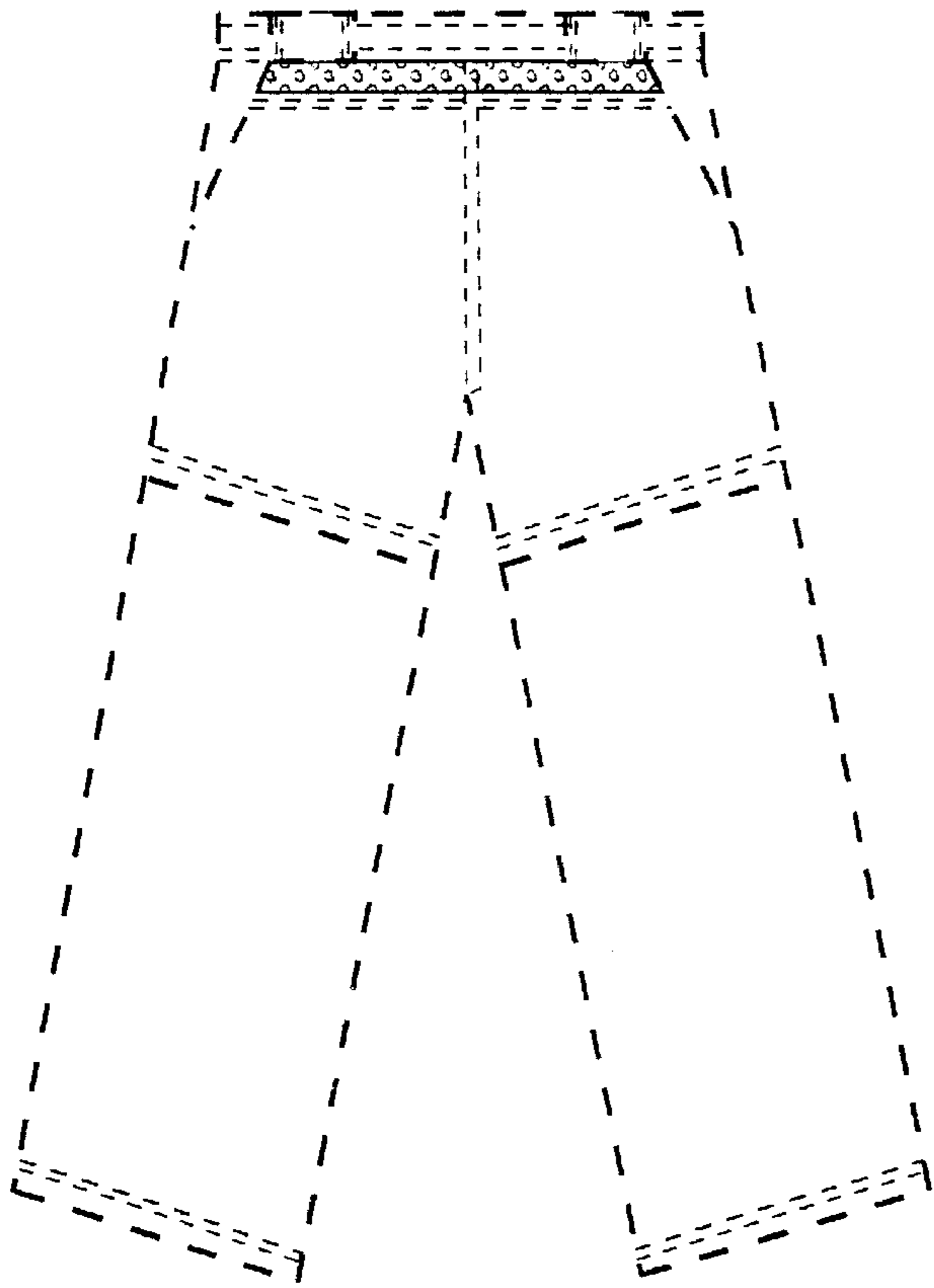
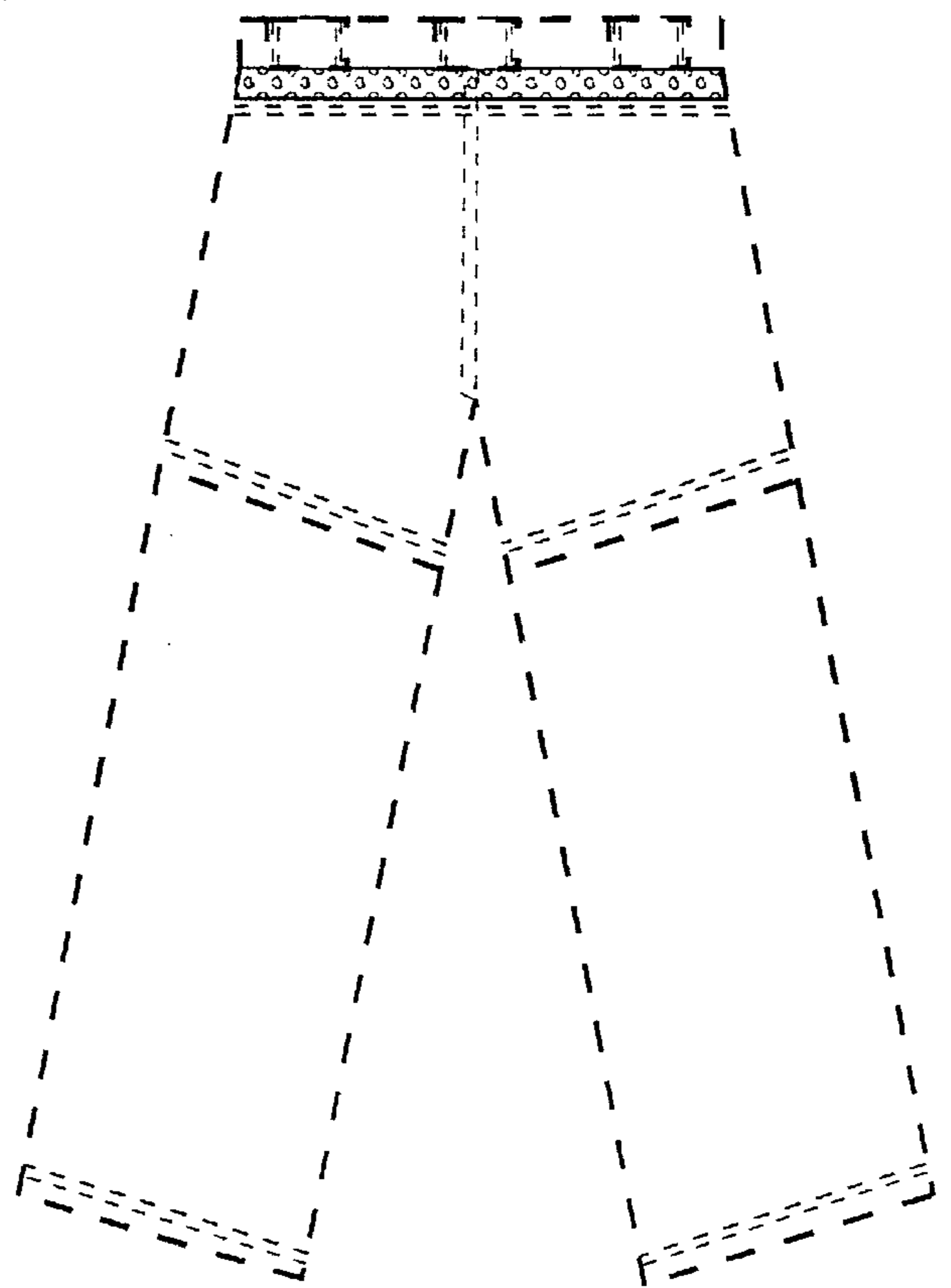


Fig. 29

Fig. 30



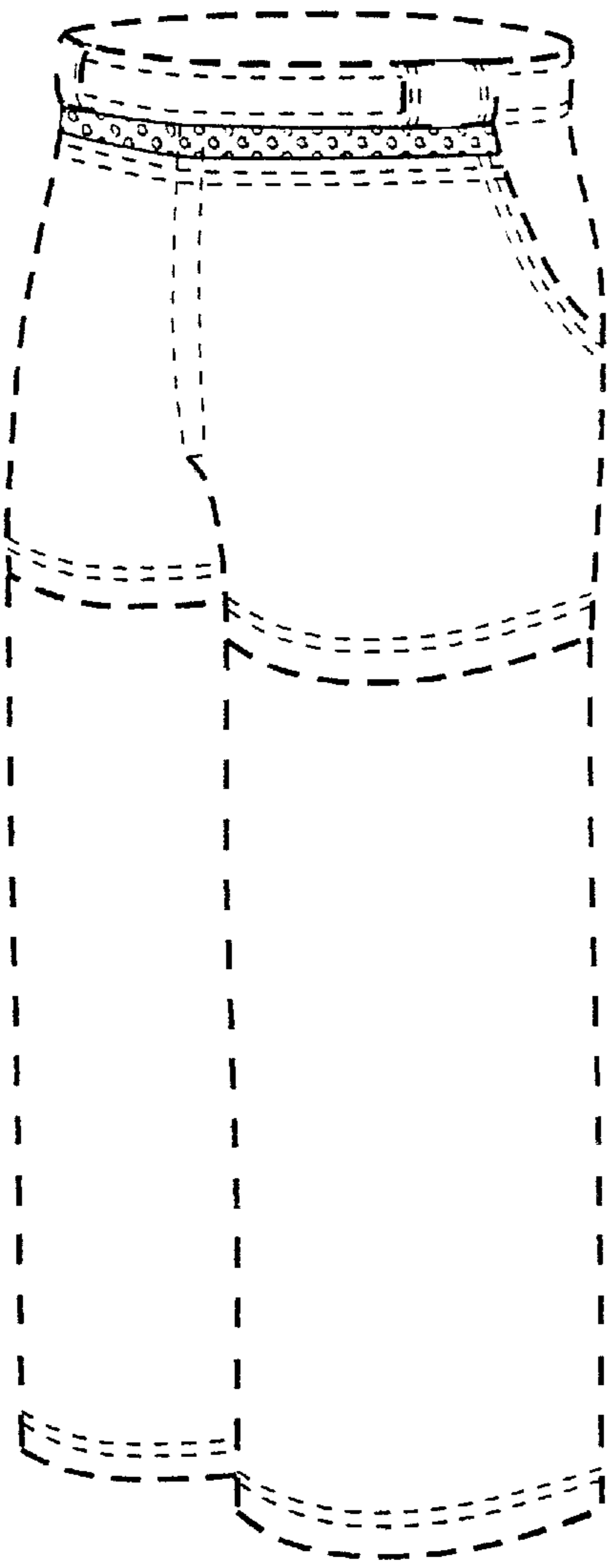


Fig. 32

Fig. 31

