



US00D480531S

(12) **United States Design Patent**
Colle et al.

(10) **Patent No.:** **US D480,531 S**

(45) **Date of Patent:** **** Oct. 14, 2003**

(54) **LOLLIPOP**

(75) Inventors: **Roberto Colle**, Lainate (IT);
Alessandro Bottini, Lainate (IT); **Ivo Di Lernia**, Lainate (IT)

(73) Assignee: **Perfetti Van Melle S.p.A.**, Lainate (IT)

(**) Term: **14 Years**

(21) Appl. No.: **29/160,682**

(22) Filed: **May 16, 2002**

(30) **Foreign Application Priority Data**

Nov. 16, 2001 (IT) MI2001O0771

(51) **LOC (7) Cl.** **01-01**

(52) **U.S. Cl.** **D1/102**

(58) **Field of Search** D1/102-105, 127;
426/104, 134, 249, 660, 383

(56) **References Cited**

U.S. PATENT DOCUMENTS

D93,287 S * 9/1934 Reed D1/102
D158,400 S * 5/1950 Lupton D1/102
D294,190 S * 2/1988 Aquarius D1/102

OTHER PUBLICATIONS

Ozark Delight Lollipops on pp. 1-5 from:<URL: <http://www.ozarkdelight.com/products/>. ©2000, retrieved from the Internet on Oct. 25, 2002.*

Carousel Rounds lollipops on p. 1 from p. 1 from: <URL: <http://www.completefundraising.com/lollipop.htm>. ©1999, retrieved from the Internet on Oct. 25, 2002.*

* cited by examiner

Primary Examiner—Alan P. Douglas

Assistant Examiner—Linda Brooks

(74) *Attorney, Agent, or Firm*—Young & Thompson

(57) **CLAIM**

The ornamental design for a lollipop, as shown and described.

DESCRIPTION

FIG. 1 is a side elevational view of a lollipop showing our new design;

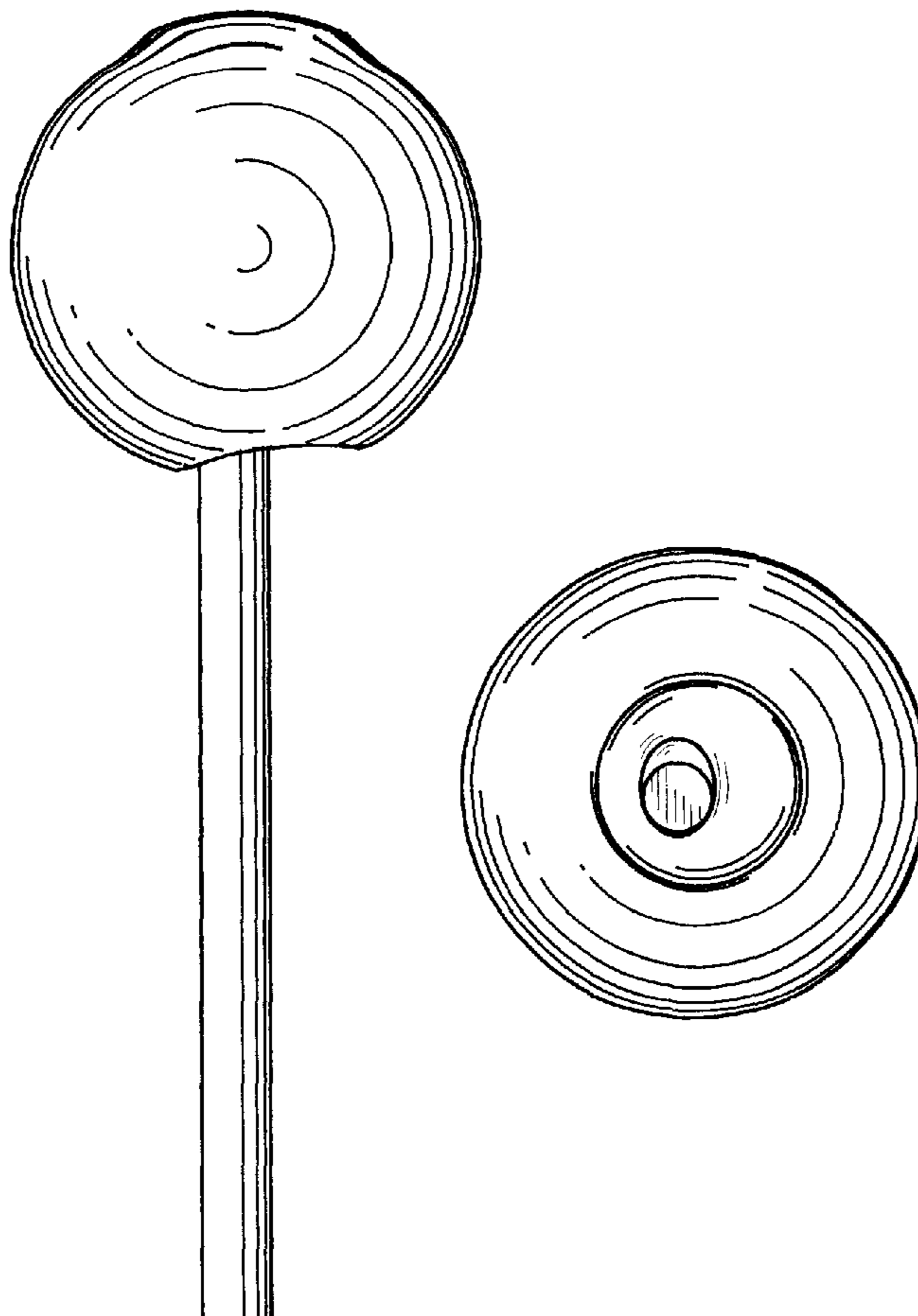
FIG. 2 is a top plan view thereof;

FIG. 3 is a bottom plan view thereof; and,

FIG. 4 is a bottom and side perspective view thereof.

The design is characterized by a cavity in the bottom of the ball, into which cavity the stick is inserted eccentrically.

1 Claim, 1 Drawing Sheet



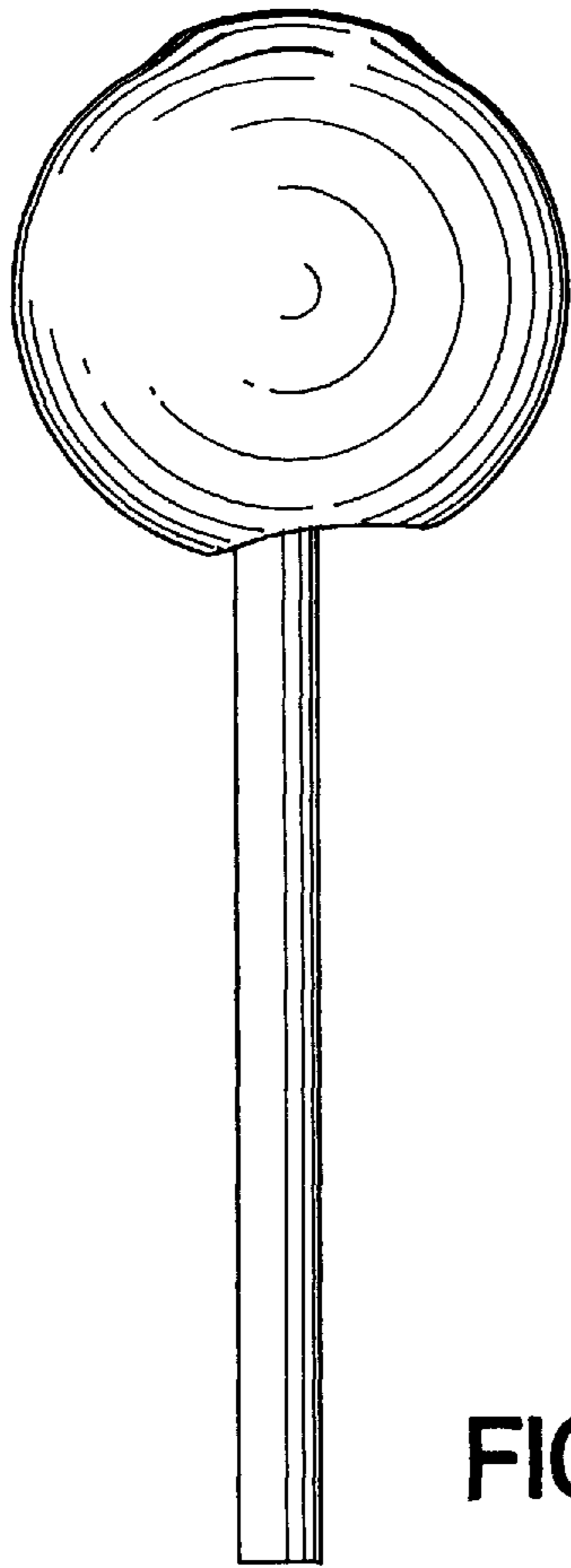


FIG. 1

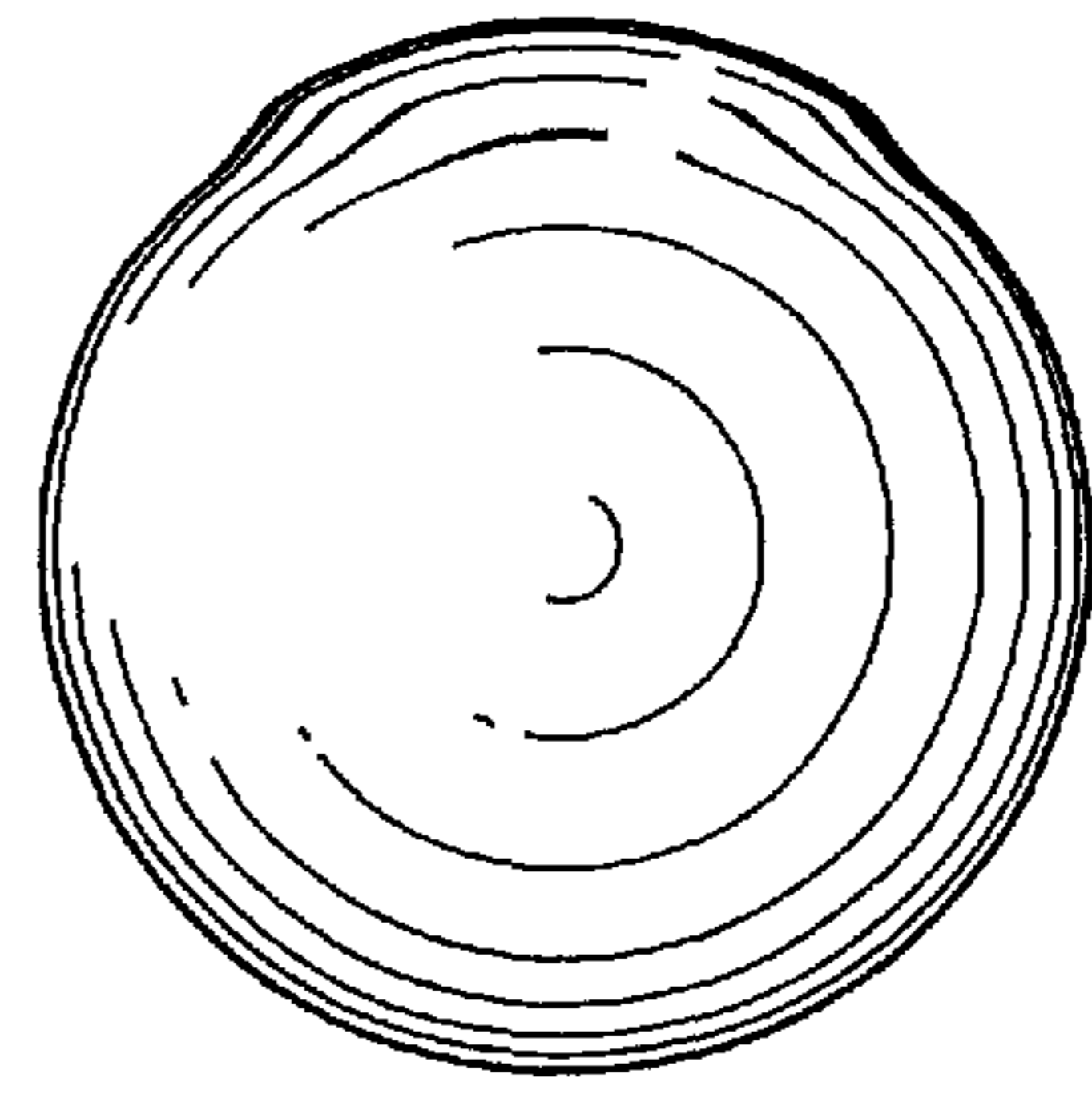


FIG. 2

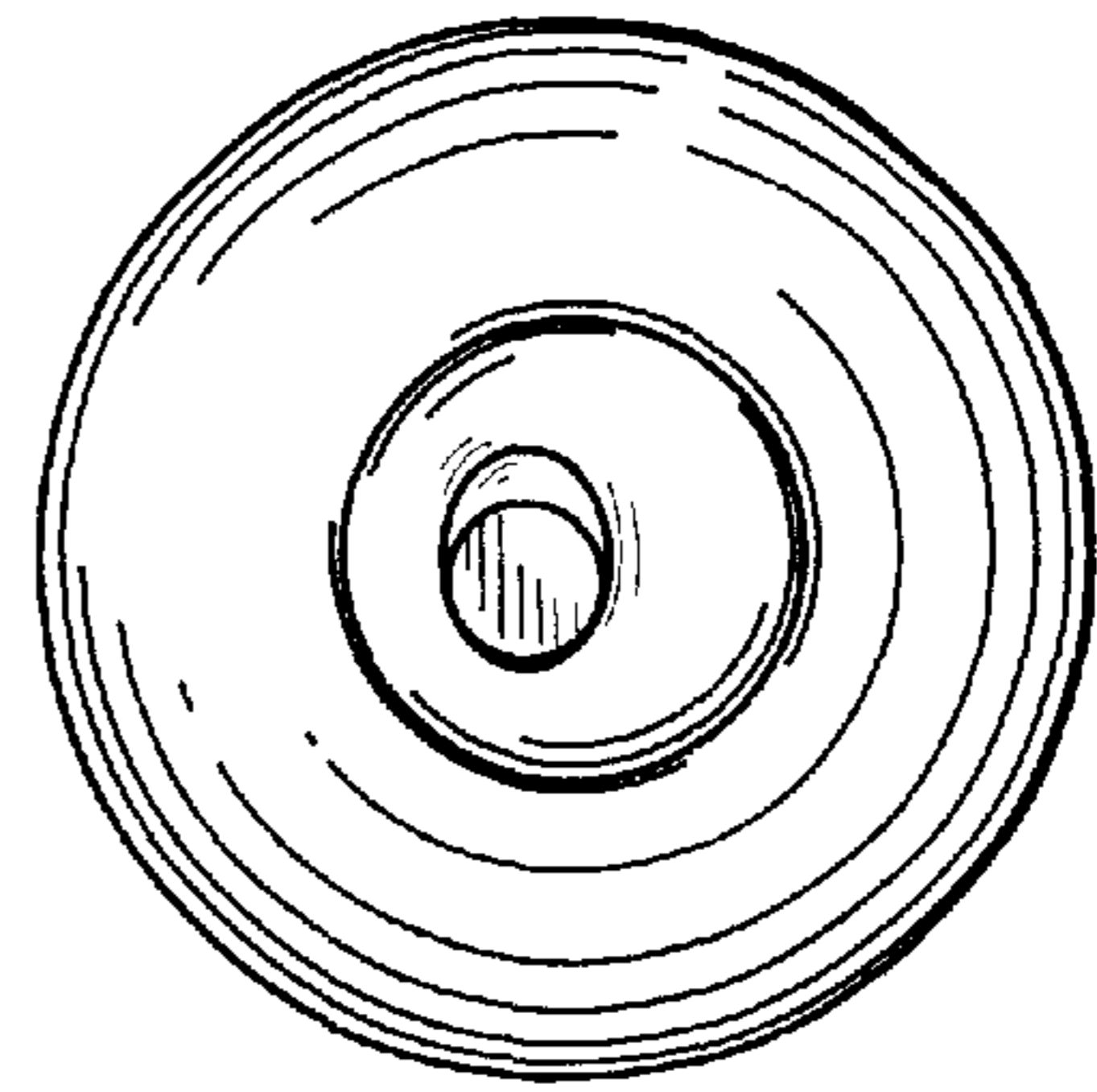


FIG. 3

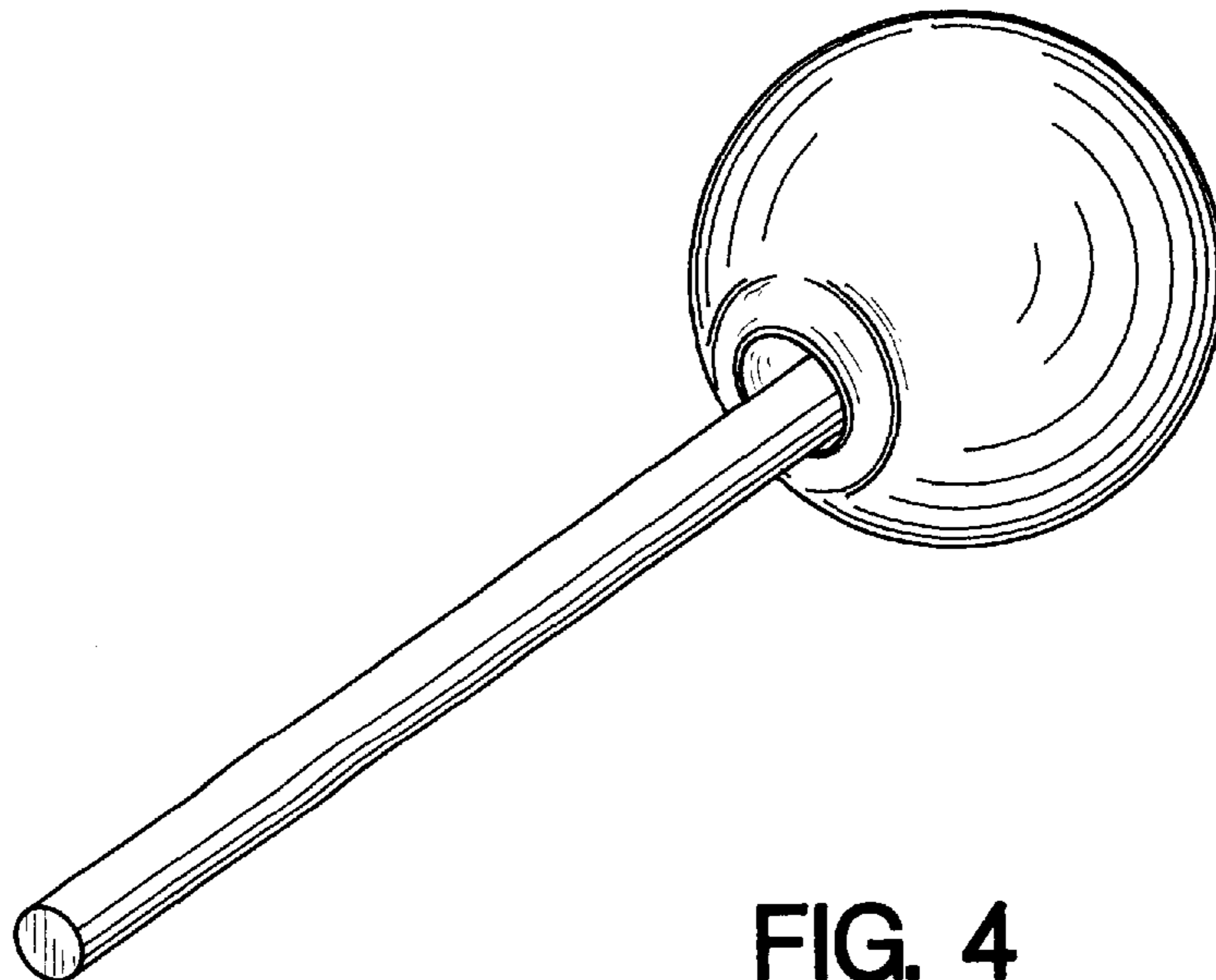


FIG. 4