



US00D480529S

(12) **United States Design Patent**  
**Pini**

(10) **Patent No.:** **US D480,529 S**

(45) **Date of Patent:** **\*\* Oct. 7, 2003**

(54) **TELESCOPIC HANDLER**

(75) **Inventor:** **Armando Pini**, Desenzano Del Garda (IT)

(73) **Assignee:** **Komatsu Utility Europe S.p.A.**, Noventa Vicentina (IT)

(\*\*) **Term:** **14 Years**

(21) **Appl. No.:** **29/163,049**

(22) **Filed:** **Jun. 27, 2002**

(30) **Foreign Application Priority Data**

May 10, 2002 (WO) ..... 211160801

(51) **LOC (7) Cl.** ..... **12-05**

(52) **U.S. Cl.** ..... **D34/34**

(58) **Field of Search** ..... D34/31, 28, 34; D15/30, 31, 32, 33, 23; 414/285; 180/89.12, 89.13, 89.17; 187/222, 237, 238

(56) **References Cited**

**U.S. PATENT DOCUMENTS**

D181,872 S	*	1/1958	Mindrum	.....	D34/34
D214,127 S	*	5/1969	Renquist	.....	D34/34
D231,975 S	*	7/1974	Aiello et al.	.....	D34/34
3,858,675 A	*	1/1975	Geis	.....	180/307
4,032,184 A	*	6/1977	Blair	.....	414/685
4,325,464 A	*	4/1982	Larsson	.....	187/227

4,738,329 A	*	4/1988	Gauer	.....	180/89.12
4,755,102 A	*	7/1988	Merlo	.....	414/692
D305,894 S	*	2/1990	Kato et al.	.....	D15/23
D316,468 S	*	4/1991	Sandrock et al.	.....	D34/37
5,199,861 A	*	4/1993	Merlo et al.	.....	414/718
5,368,322 A	*	11/1994	Korpimaa	.....	280/6.15
D368,570 S	*	4/1996	Kim et al.	.....	D34/34
D376,243 S	*	12/1996	Magni	.....	D34/34
D384,477 S	*	9/1997	Braud	.....	D34/34
6,047,791 A	*	4/2000	Hoebelheinrich	.....	187/222
D438,359 S	*	2/2001	Braud	.....	D34/34
6,405,114 B1	*	6/2002	Priestley et al.	.....	701/50

\* cited by examiner

*Primary Examiner*—Cynthia E. Ramirez

(74) *Attorney, Agent, or Firm*—Browdy and Neimark, P.L.L.C.

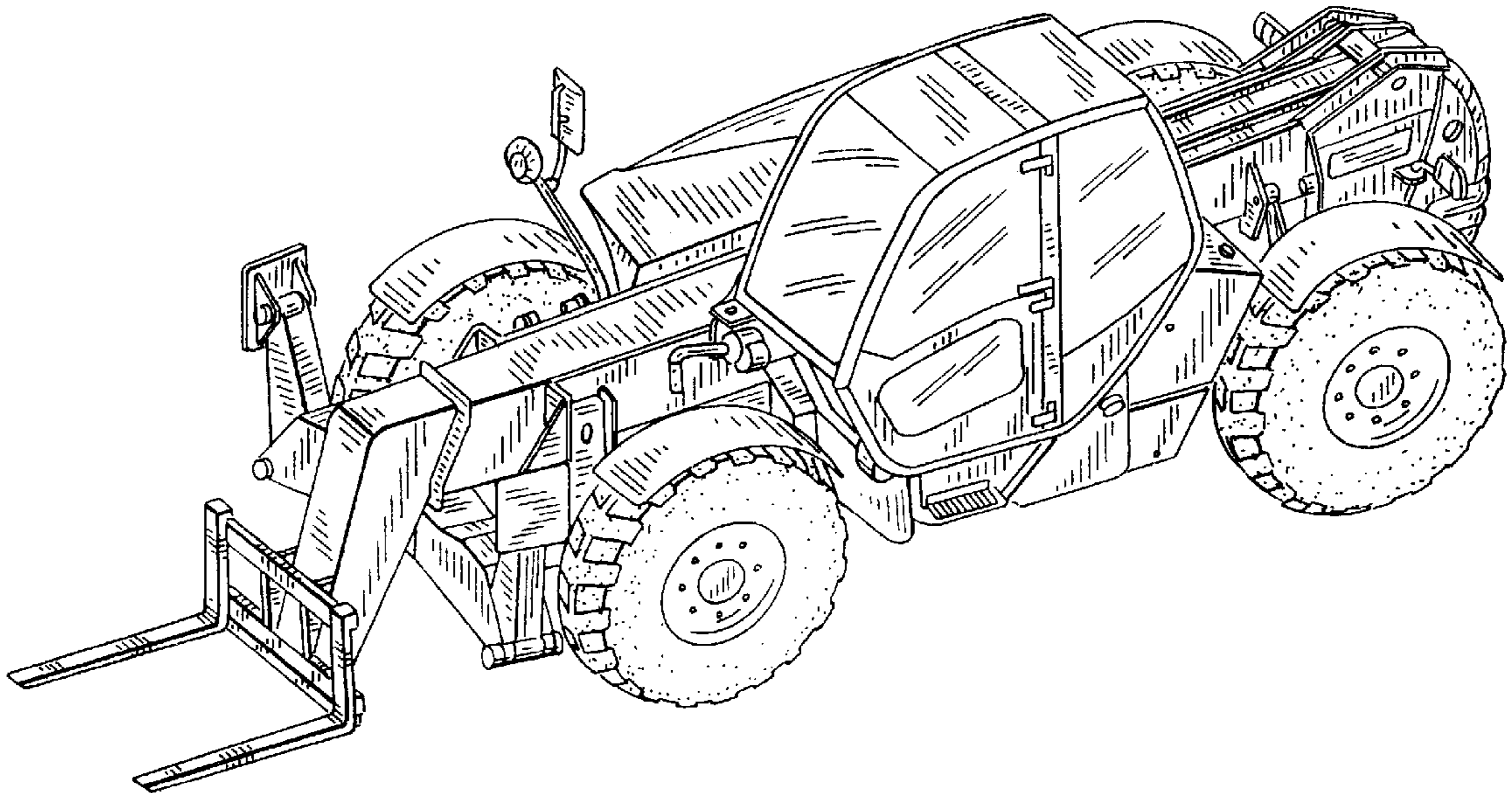
(57) **CLAIM**

The ornamental design for a telescopic handler, as shown and described.

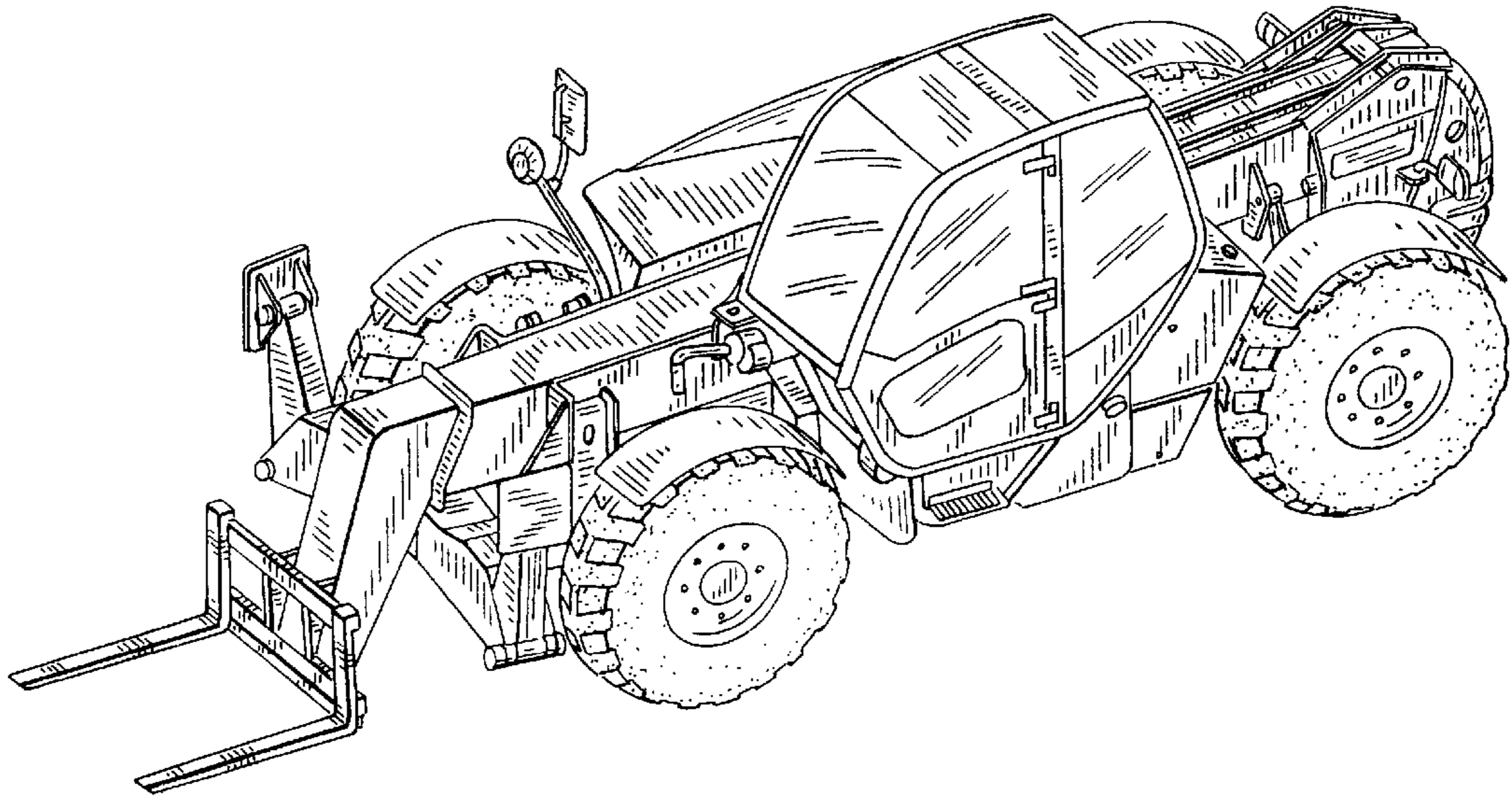
**DESCRIPTION**

FIG. 1 is a perspective view of the telescopic handler; FIG. 2 is a upper view of the telescopic handler; FIG. 3 is a left side view of the telescopic handler; FIG. 4 is a right side view of the telescopic handler; FIG. 5 is a front view of the telescopic handler; and, FIG. 6 is a rear view of the telescopic handler.

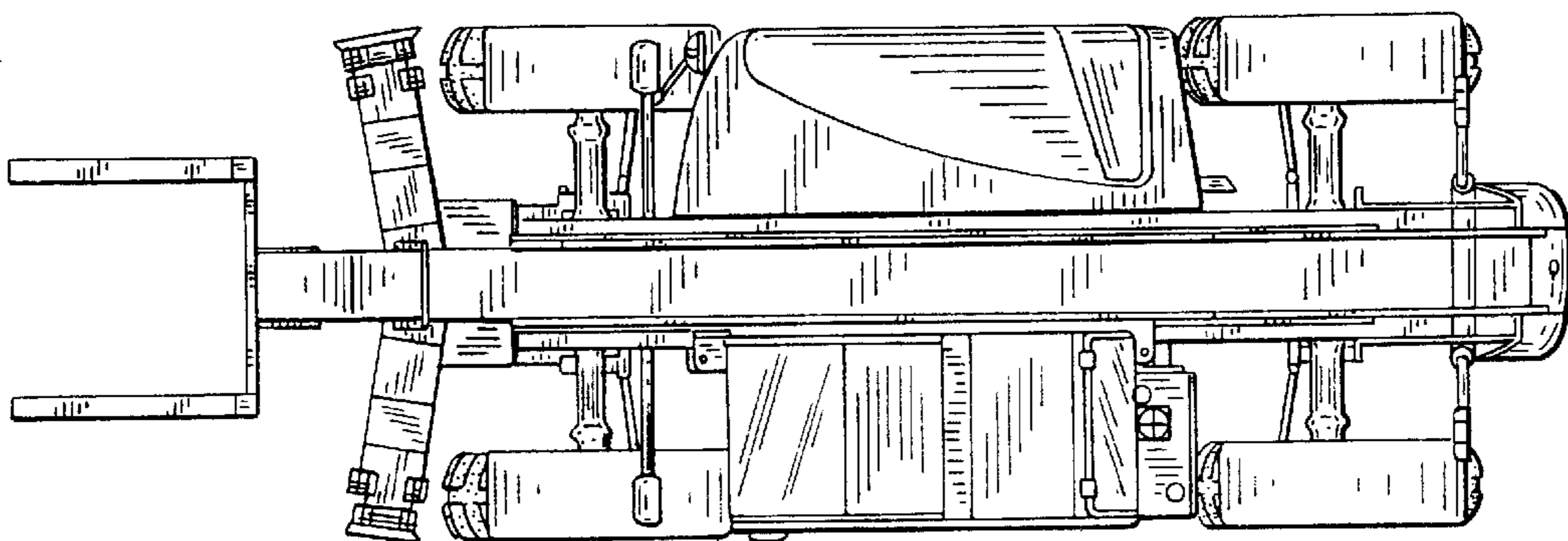
**1 Claim, 3 Drawing Sheets**



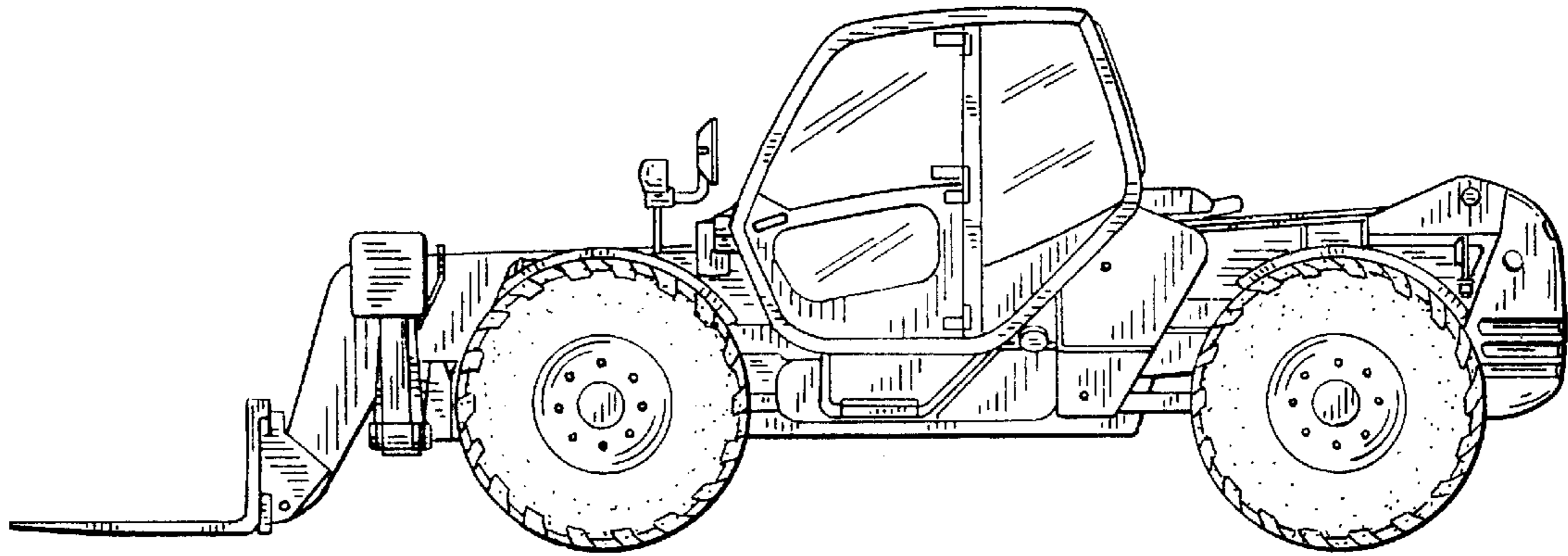
*FIG. 1*



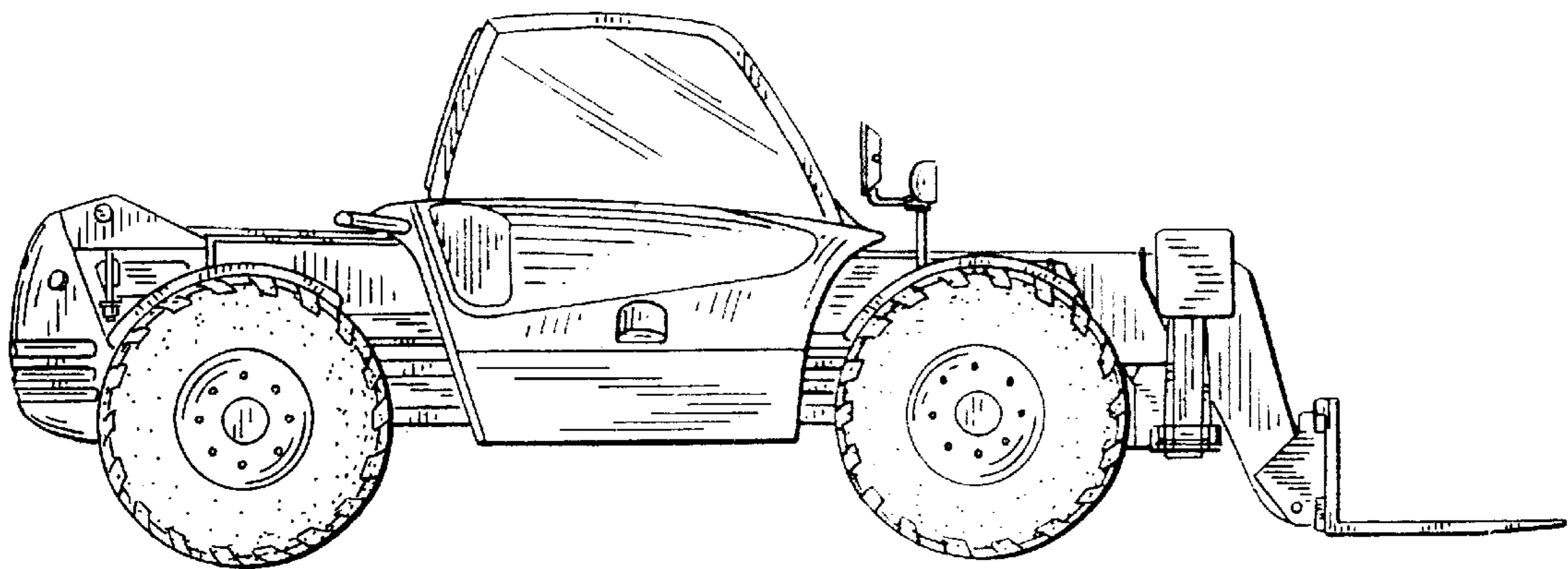
*FIG. 2*



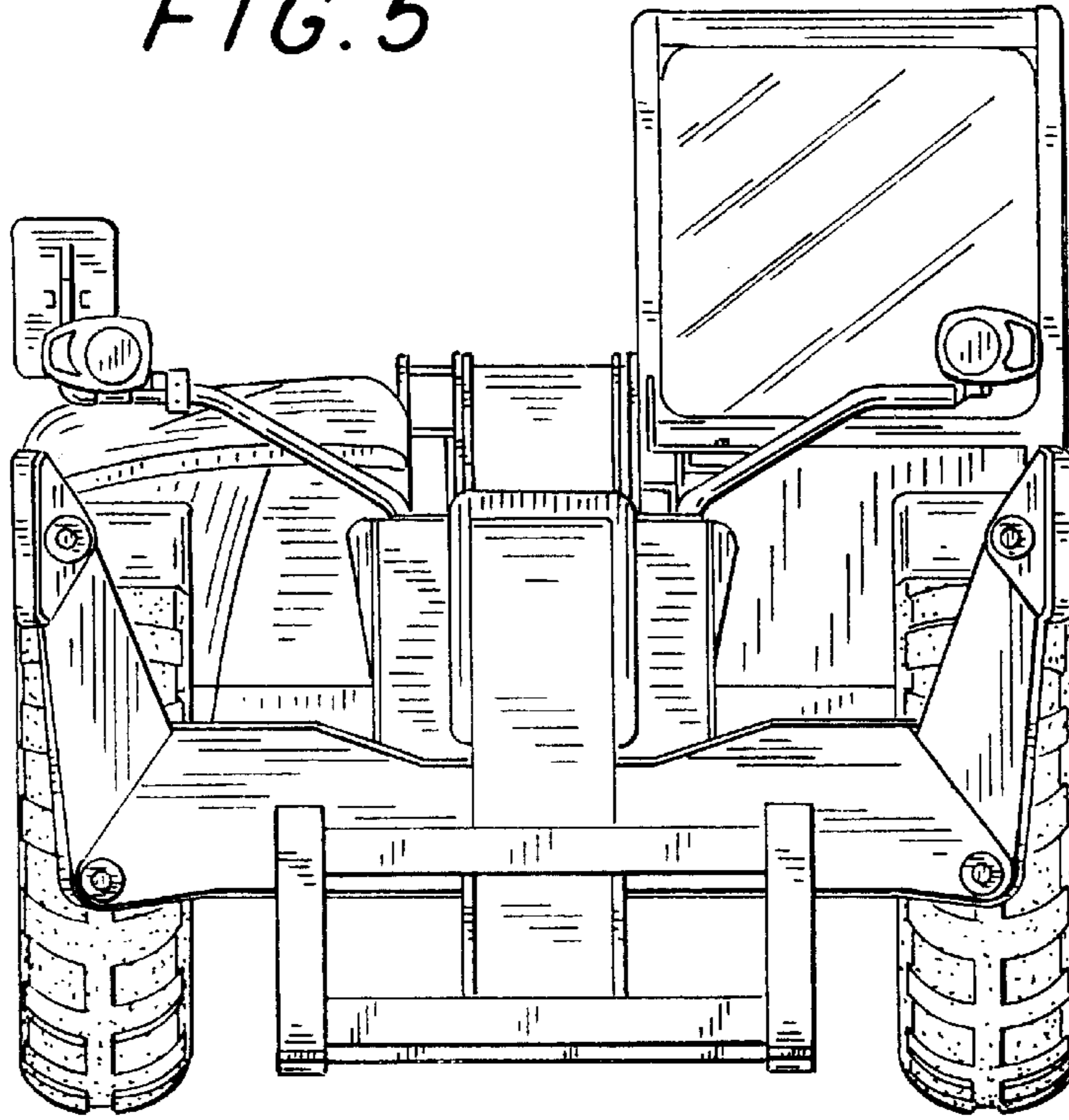
*FIG. 3*



*FIG. 4*



*FIG. 5*



*FIG. 6*

