



US00D480527S

(12) **United States Design Patent**
Kollen

(10) **Patent No.:** **US D480,527 S**

(45) **Date of Patent:** **** Oct. 7, 2003**

(54) **BIN CART**

(76) **Inventor:** **Glenn Hahn Kollen**, 3727 Vickers
Lake Dr., Jacksonville, FL (US) 32224

(**) **Term:** **14 Years**

(21) **Appl. No.:** **29/174,266**

(22) **Filed:** **Jan. 16, 2003**

(51) **LOC (7) Cl.** **12-02**

(52) **U.S. Cl.** **D34/21**

(58) **Field of Search** D34/12-27; 280/79.11,
280/79.2, 79.4, 47.34, 47.24, 47.27, 47.28,
47.29, 652, 33.991-33.997

(56) **References Cited**

U.S. PATENT DOCUMENTS

D362,526 S * 9/1995 Andreen et al. D34/12

D449,913 S * 10/2001 Walter D34/21

D455,243 S * 4/2002 Walter D34/21

D472,027 S * 3/2003 Walter D34/21

* cited by examiner

Primary Examiner—Kay H. Chin

(57) **CLAIM**

The ornamental design for a bin cart, as shown and described.

DESCRIPTION

FIG. 1 is a front view of a bin cart showing my new design; and,

FIG. 2 is a rear view of the preferred embodiment shown in FIG. 1.

1 Claim, 2 Drawing Sheets

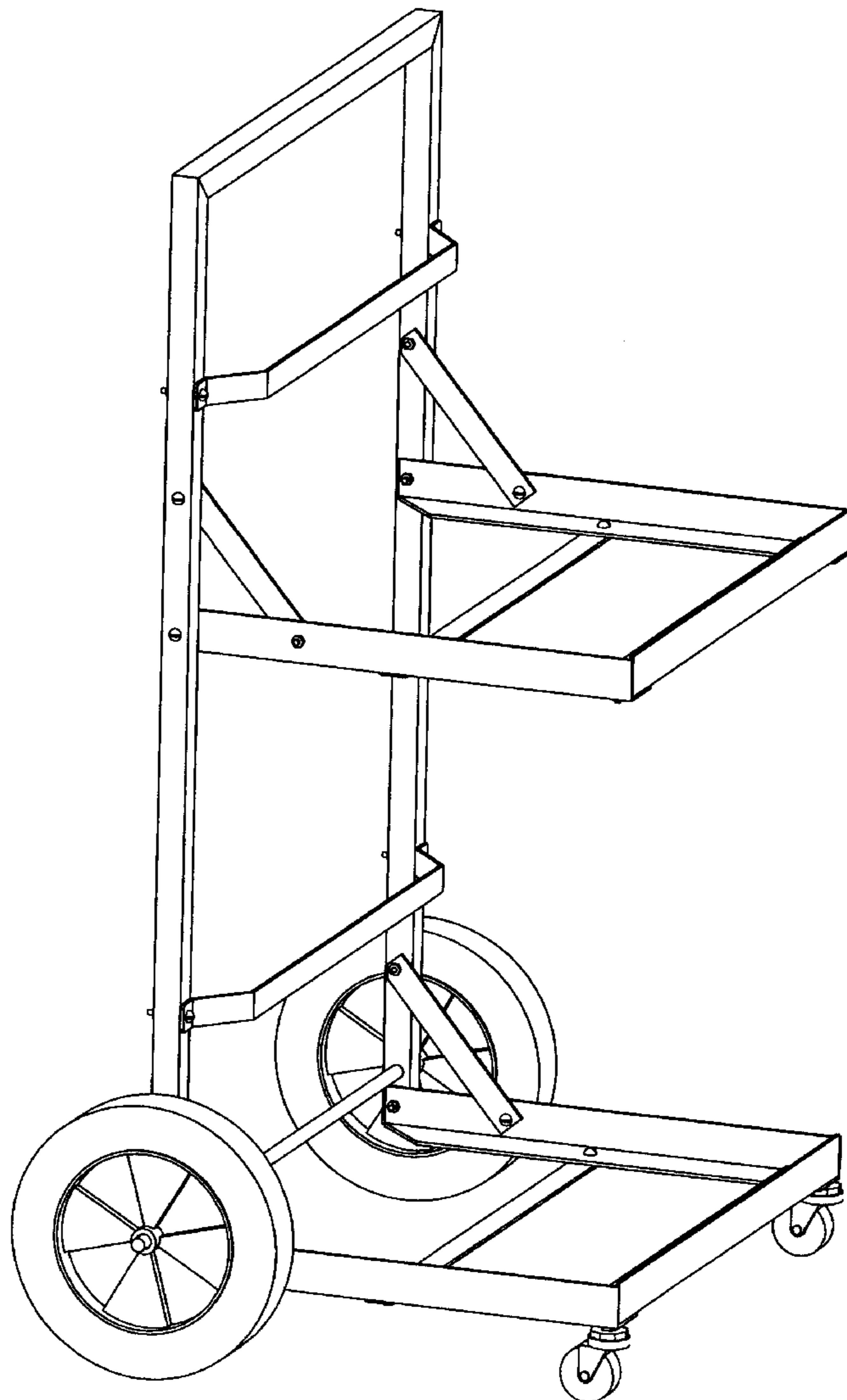


FIG. 1.

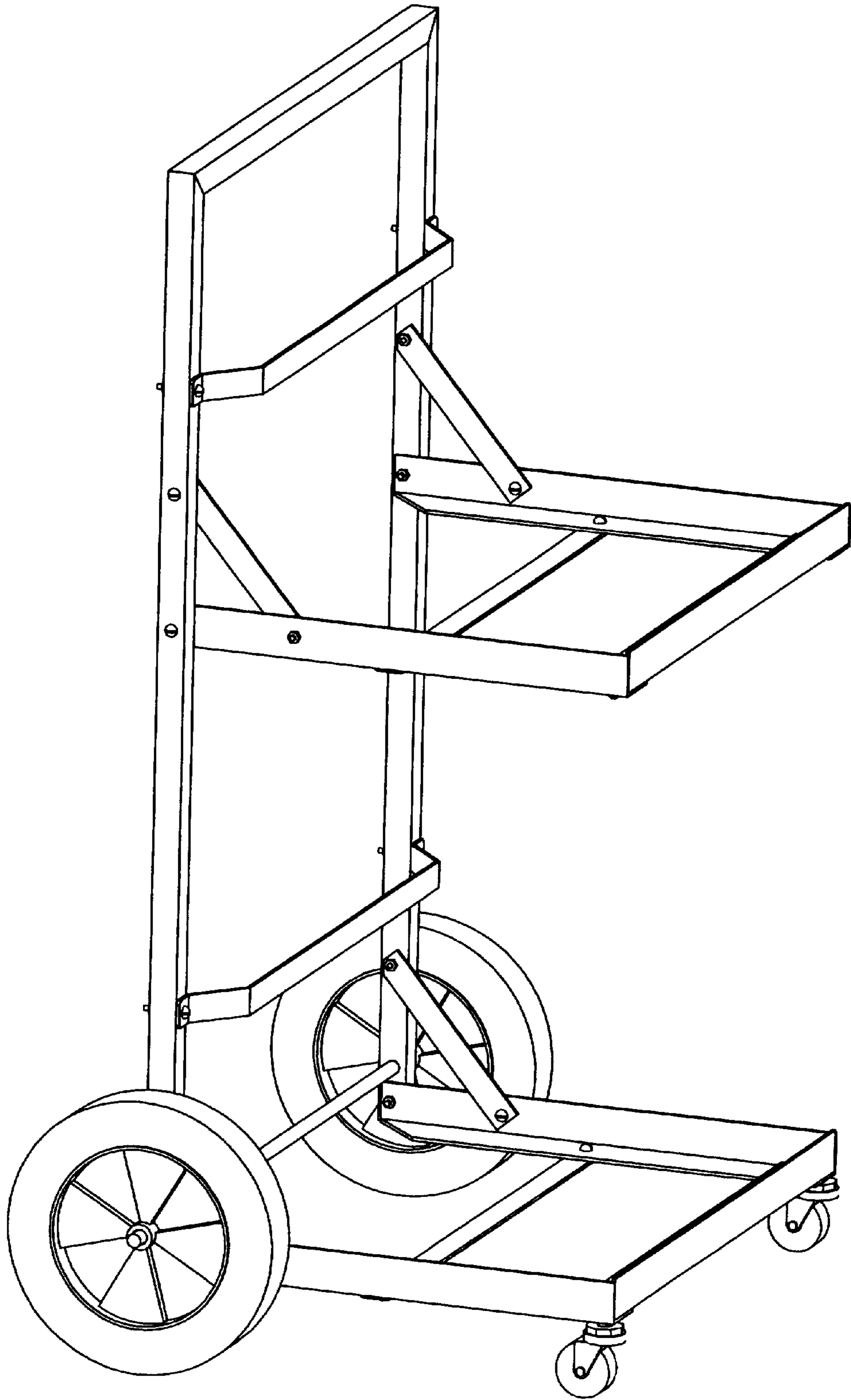


FIG. 2.

