



US00D480526S

(12) **United States Design Patent**  
**Hardy et al.**

(10) **Patent No.:** **US D480,526 S**

(45) **Date of Patent:** **\*\* Oct. 7, 2003**

(54) **WASTE RECEPTACLE**

(76) Inventors: **Hugh Hardy**, 684 Broadway #12E,  
New York, NY (US) 10012; **John**  
**Fontillas**, 469 47th St., Brooklyn, NY  
(US) 11220

(\*\*) Term: **14 Years**

(21) Appl. No.: **29/121,331**

(22) Filed: **Apr. 5, 2000**

(51) **LOC (7) Cl.** ..... **09-09**

(52) **U.S. Cl.** ..... **D34/7**

(58) **Field of Search** ..... D34/1, 5, 6, 7,  
D34/10; D32/37; 220/908, 909, 910, 911

(56) **References Cited**

**U.S. PATENT DOCUMENTS**

D52,158 S	*	7/1918	Derry	.....	D34/1
2,112,465 A	*	3/1938	Maish	.....	220/908
2,135,813 A	*	11/1938	Hartman	.....	220/909
D114,759 S	*	5/1939	Hobson	.....	D34/1
D120,270 S	*	4/1940	Martinez	.....	D34/1
D228,223 S	*	8/1973	Gilbert	.....	D34/7

D302,885 S	*	8/1989	Barbee	.....	D34/6
D312,160 S	*	11/1990	Calvi	.....	D34/7
D312,519 S	*	11/1990	Hobson	.....	D32/37
5,118,173 A	*	6/1992	Prosctor et al.	.....	220/909
D335,559 S	*	5/1993	Land	.....	D34/1
D335,562 S	*	5/1993	Evans	.....	D34/7
D337,188 S	*	7/1993	Bonskowski	.....	D34/1
D338,758 S	*	8/1993	Sexton et al.	.....	D34/7

\* cited by examiner

*Primary Examiner*—Cynthia E. Ramirez

(74) *Attorney, Agent, or Firm*—Skadden, Arps, Slate,  
Meagher & Flom LLP

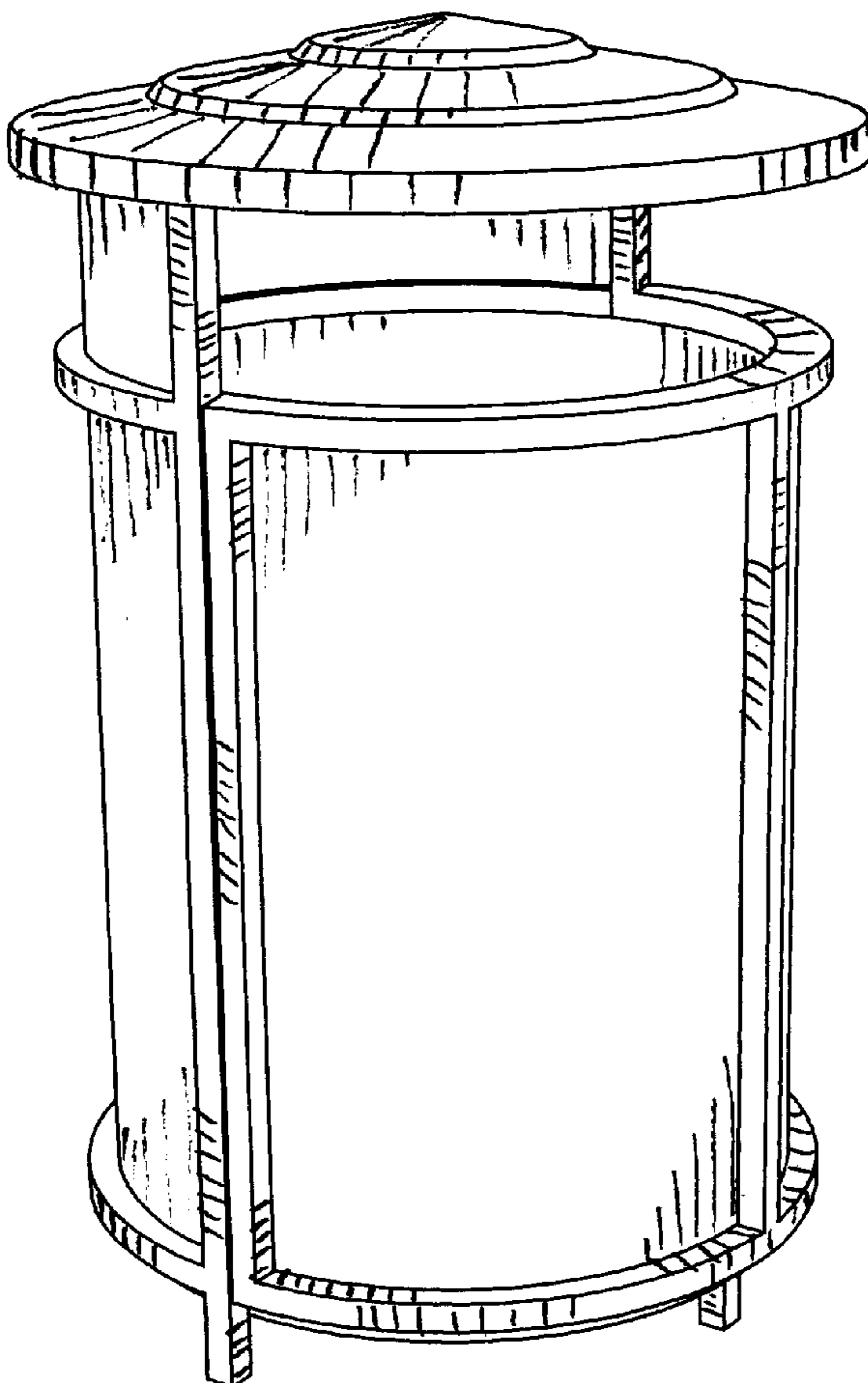
(57) **CLAIM**

The ornamental design for a waste receptacle, as shown and described.

**DESCRIPTION**

FIG. 1 is a perspective view of a waste receptacle in accordance with the invention;  
FIG. 2 is an elevation view of the waste receptacle;  
FIG. 3 is a top view of the waste receptacle; and,  
FIG. 4 is a bottom view of the waste receptacle.

**1 Claim, 1 Drawing Sheet**



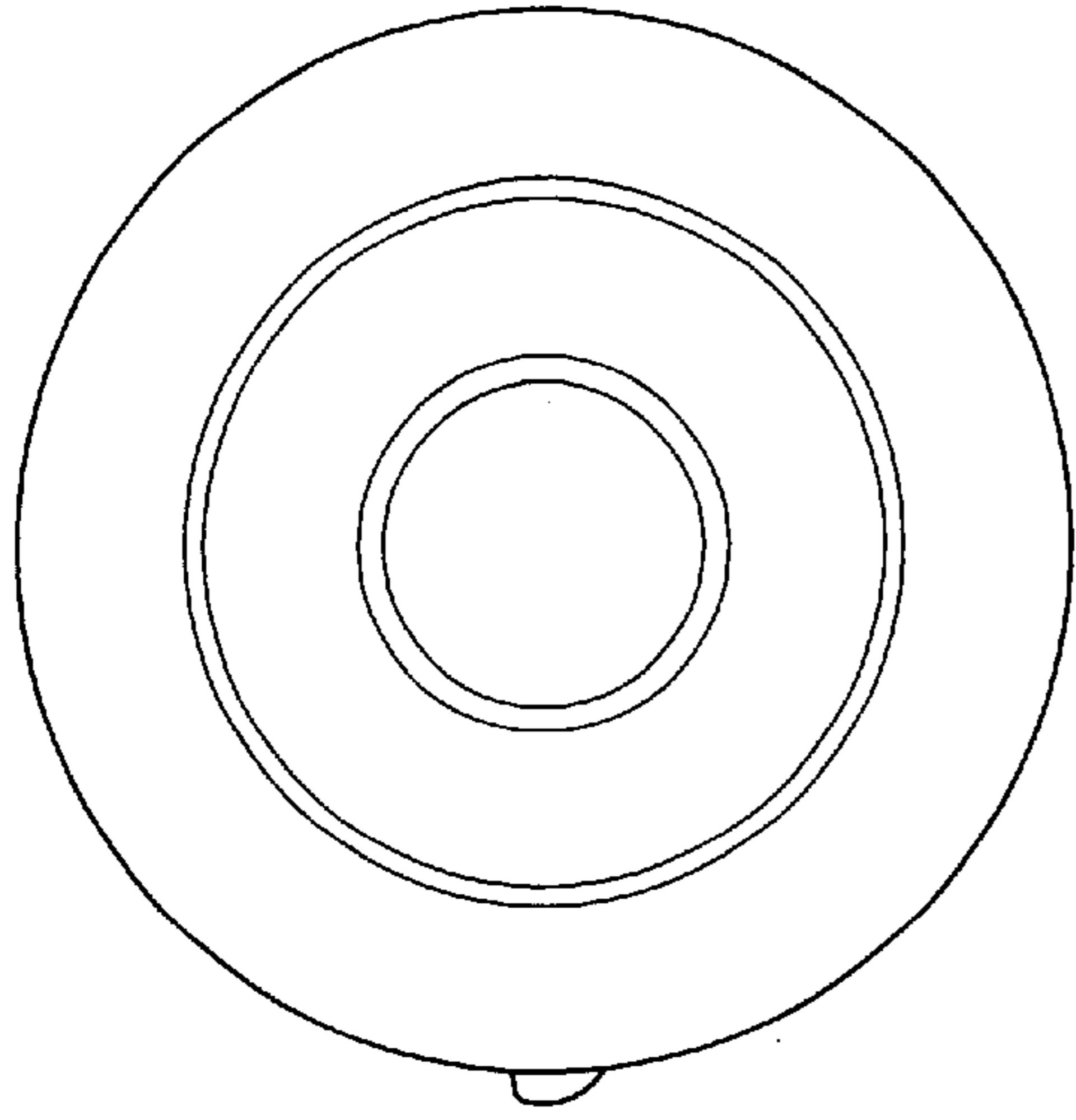


FIG-3

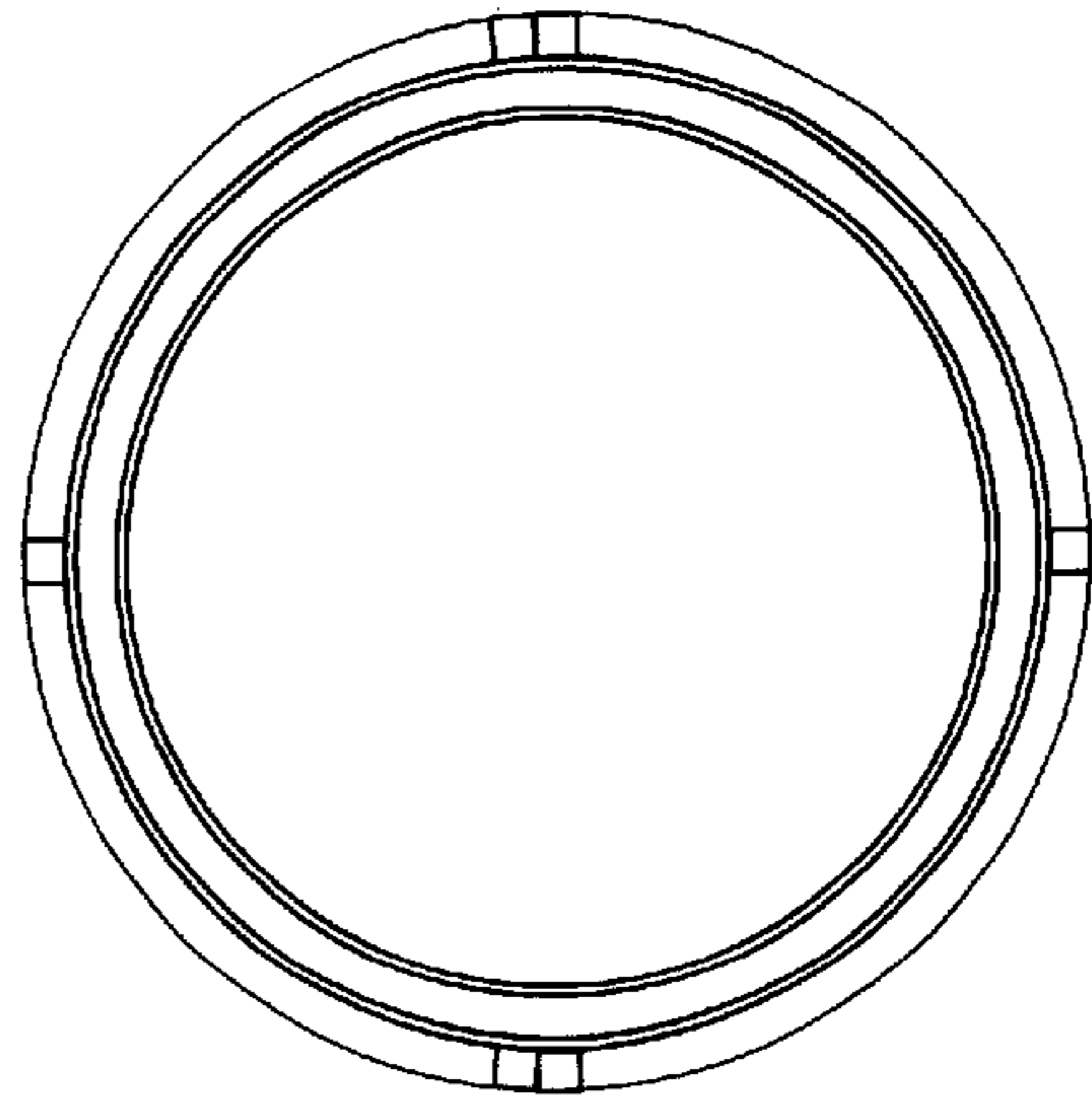


FIG-4

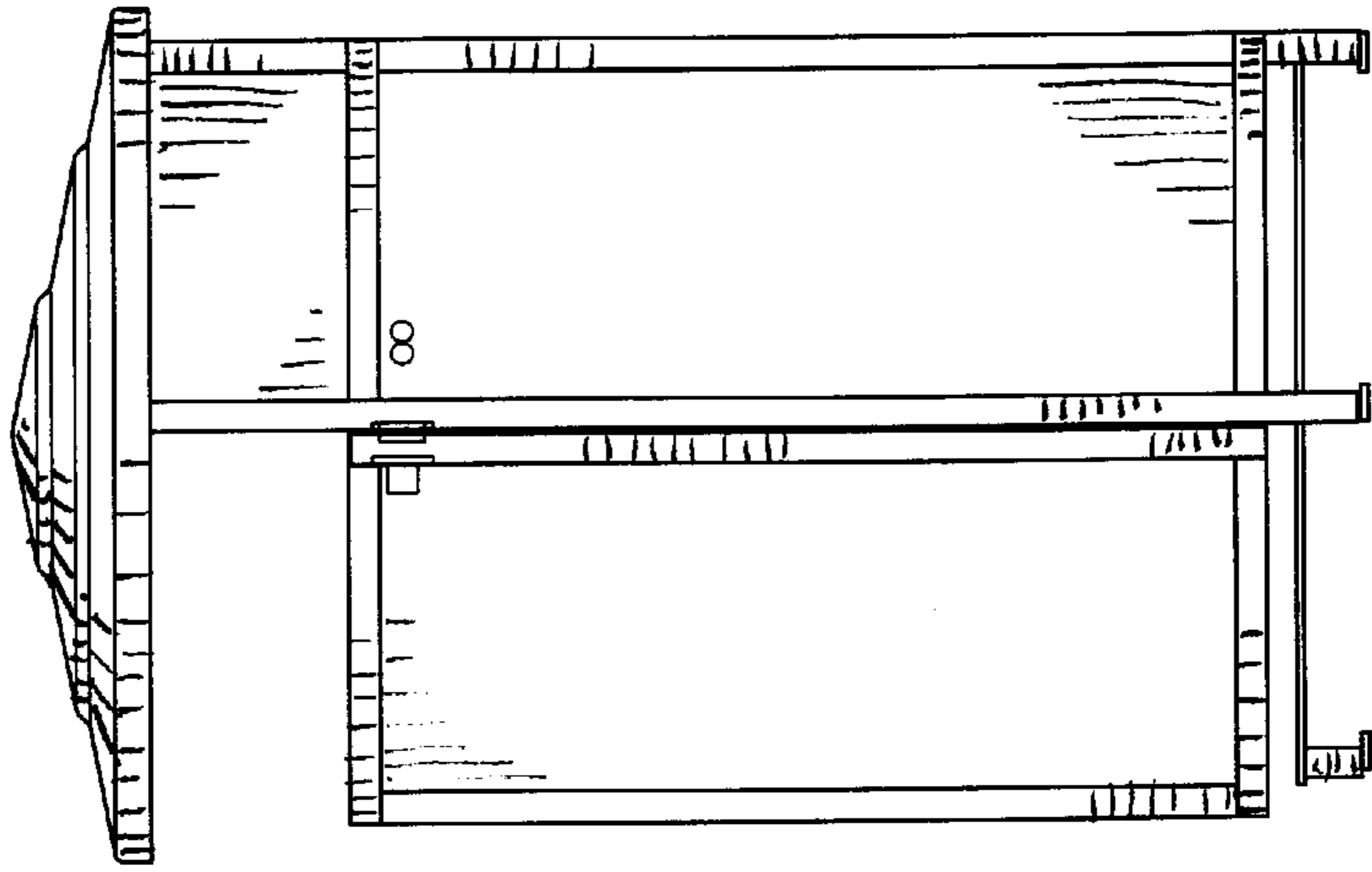


FIG-2

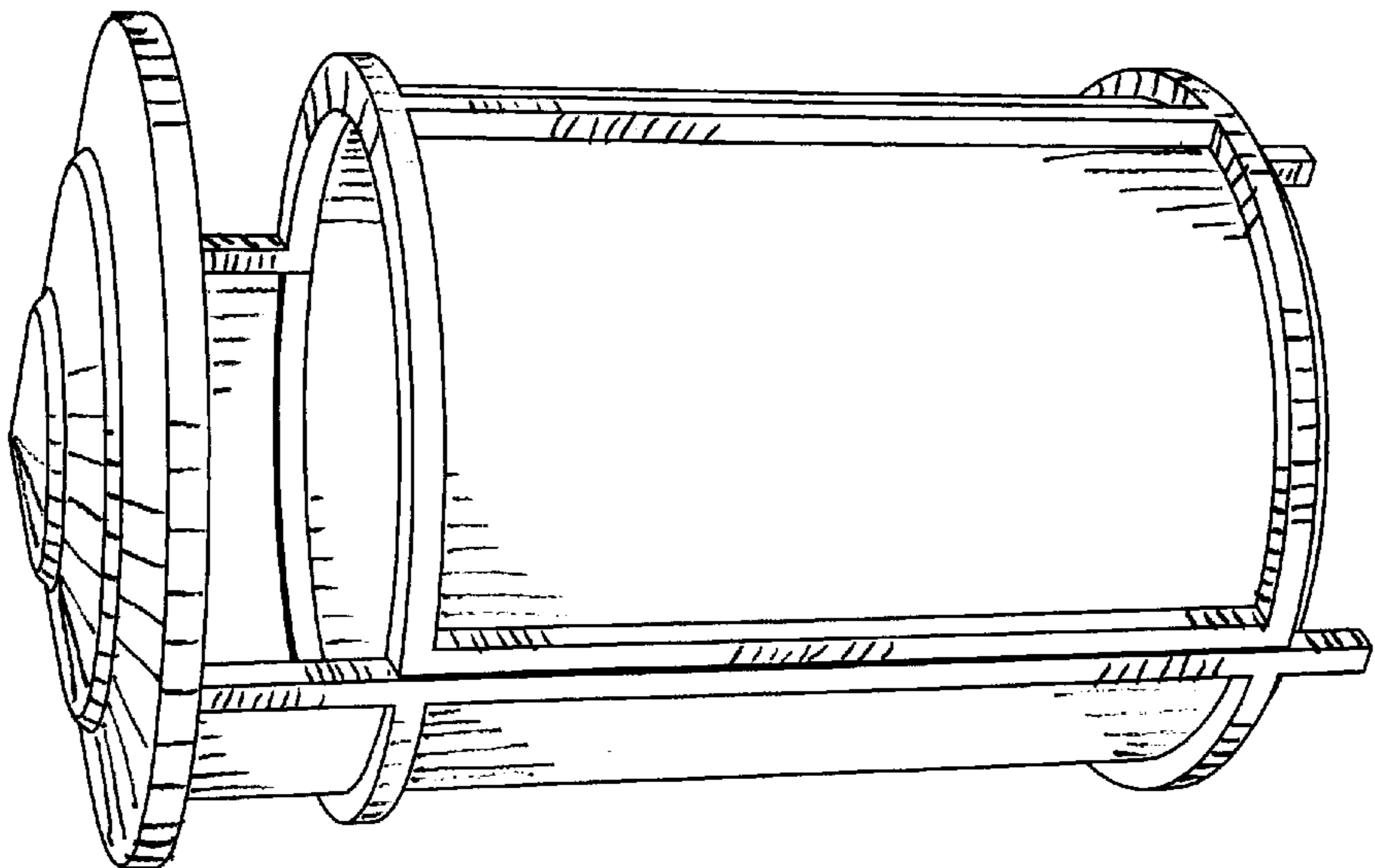


FIG-1