



US00D480523S

(12) **United States Design Patent**
Hall et al.

(10) **Patent No.:** **US D480,523 S**

(45) **Date of Patent:** **** Oct. 7, 2003**

(54) **NOZZLE FOR CLEANING SYSTEM**

(75) Inventors: **Michael J. Hall**, South San Francisco, CA (US); **Douglas Minkler**, Livermore, CA (US); **Robert W. Flagler**, Pleasanton, CA (US)

(73) Assignee: **The Clorox Company**, Oakland, CA (US)

(**) Term: **14 Years**

(21) Appl. No.: **29/140,162**

(22) Filed: **Apr. 11, 2001**

Related U.S. Application Data

(63) Continuation-in-part of application No. 09/689,433, filed on Oct. 11, 2000.

(51) **LOC (7) Cl.** **08-99**

(52) **U.S. Cl.** **D32/45; D32/25**

(58) **Field of Search** D32/1, 15, 17, D32/25, 30, 45; D23/213, 223; 401/137-140, 270, 271, 276, 282, 284, 286-290; 15/320-322, 49.1, 302, 97.1, 98, 104.8, 246; 239/533.1, 552, 562, 567, 568, 590, 590.3, 590.5, 597-601, DIG. 17; 222/477, 478, 566, 575, 526-537

(56) **References Cited**

U.S. PATENT DOCUMENTS

418,959 A * 1/1890 Pilson 239/578
2,238,360 A * 4/1941 Forster 239/590.3
2,664,278 A * 12/1953 Aghnides 239/428.5
3,055,031 A * 9/1962 Rachlin 15/50.1
3,094,152 A 6/1963 Kenny et al.
3,221,996 A * 12/1965 Emmert et al. 239/542
4,059,358 A * 11/1977 Arai 401/219

4,480,793 A * 11/1984 Grande 239/567
4,714,200 A * 12/1987 Sayama 239/579
4,778,298 A * 10/1988 Shin et al. 401/27
4,936,510 A * 6/1990 Weinstein 239/223
5,888,006 A 3/1999 Ping et al.
5,988,920 A 11/1999 Kunkler et al.

* cited by examiner

Primary Examiner—Ted Shooman

Assistant Examiner—C Tuttle

(74) *Attorney, Agent, or Firm*—Ray K. Shahani, Esq.; Joel J. Hayashida, Esq.; Mike Mazza, Esq.

(57) **CLAIM**

We claim the ornamental design for a nozzle for a cleaning system, as shown and described.

DESCRIPTION

FIG. 1 is a perspective view as seen from the front, top and left side of the nozzle for cleaning system showing our new design (unclaimed cleaning system structure being shown in broken lines);

FIG. 2 is a perspective front, top and left side view of the upper portion of the design shown separated from the lower portion to disclose the underlying parts;

FIG. 3 is a perspective front, bottom and left side view thereof;

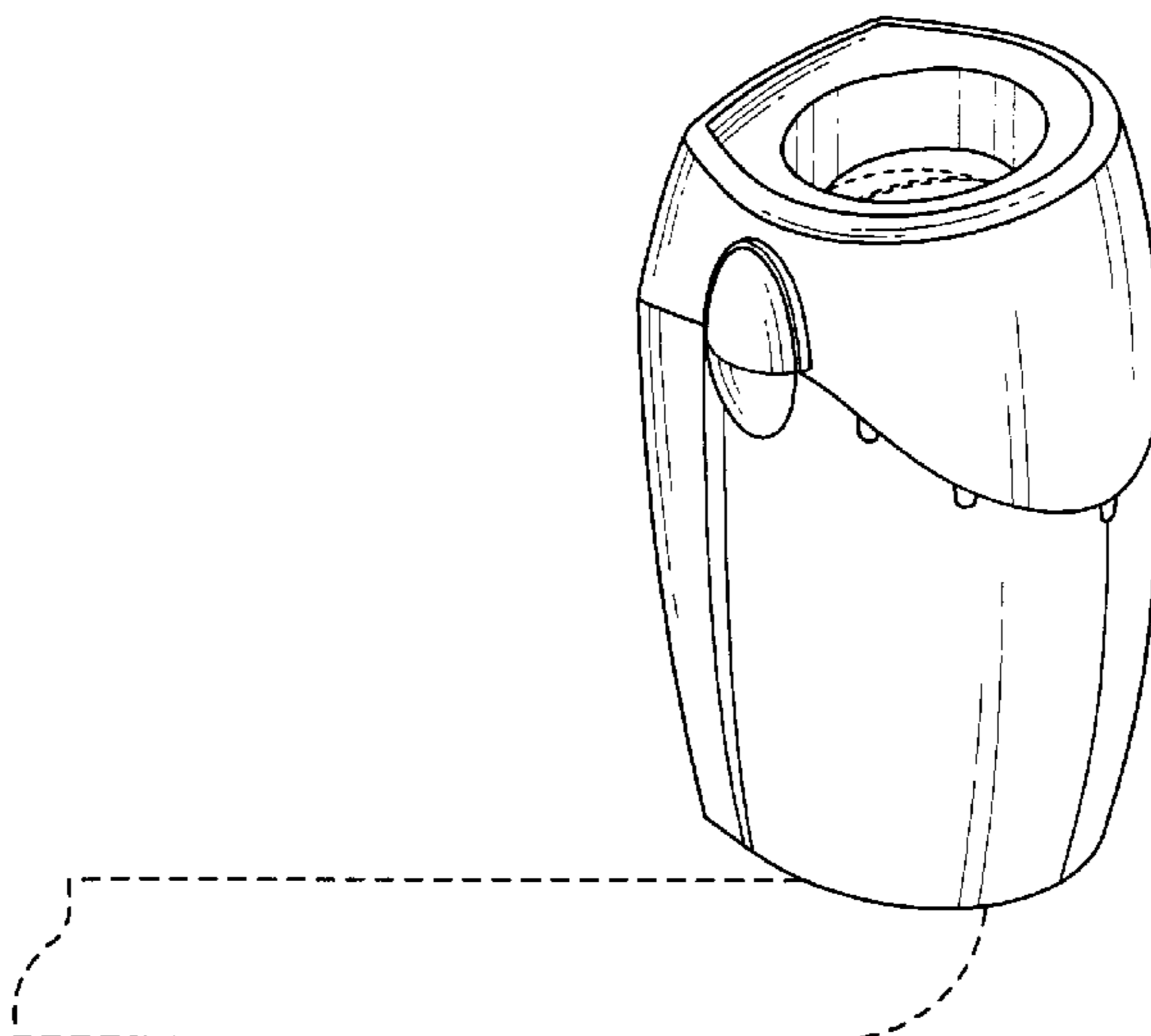
FIG. 4 is a perspective front, top and left side view of the lower portion of the design shown separated from the upper portion to disclose the underlying parts;

FIG. 5 is a perspective front, bottom and left side view thereof;

FIG. 6 is a bottom plan view of FIG. 3; and,

FIG. 7 is a perspective front, top and right side view of the assembled design (unclaimed cleaning system structure being shown in broken lines).

1 Claim, 3 Drawing Sheets



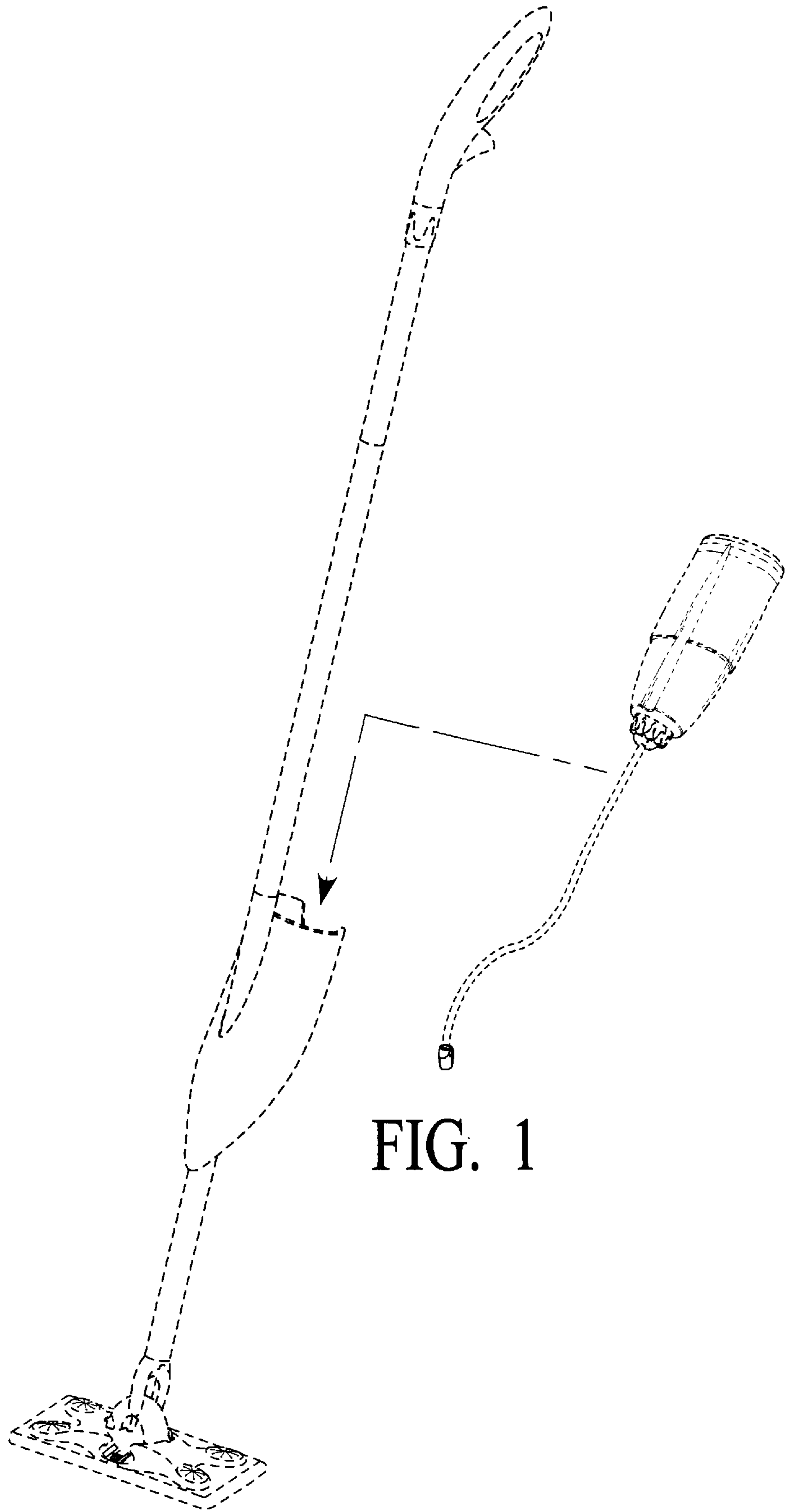


FIG. 1

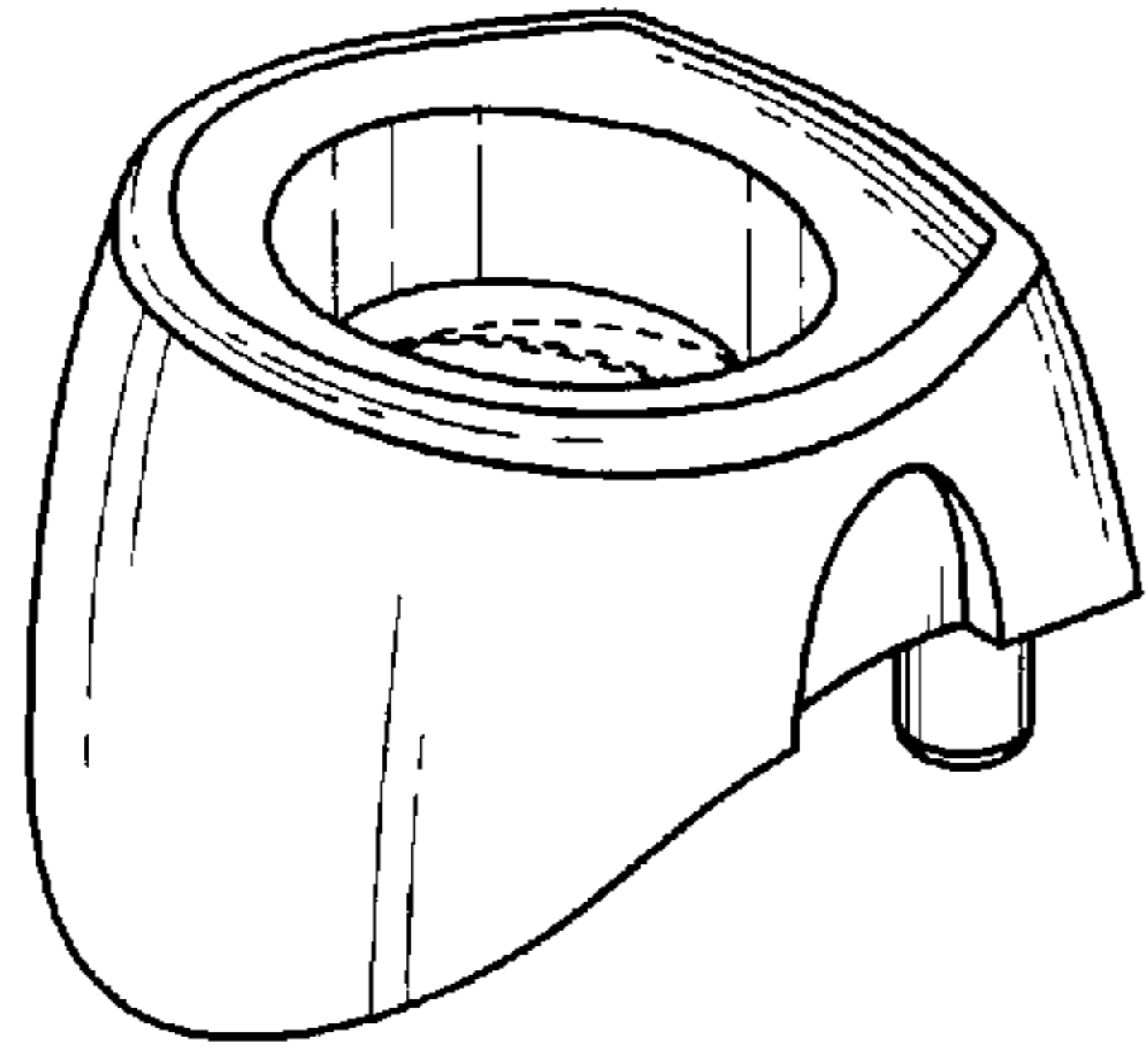


FIG. 2

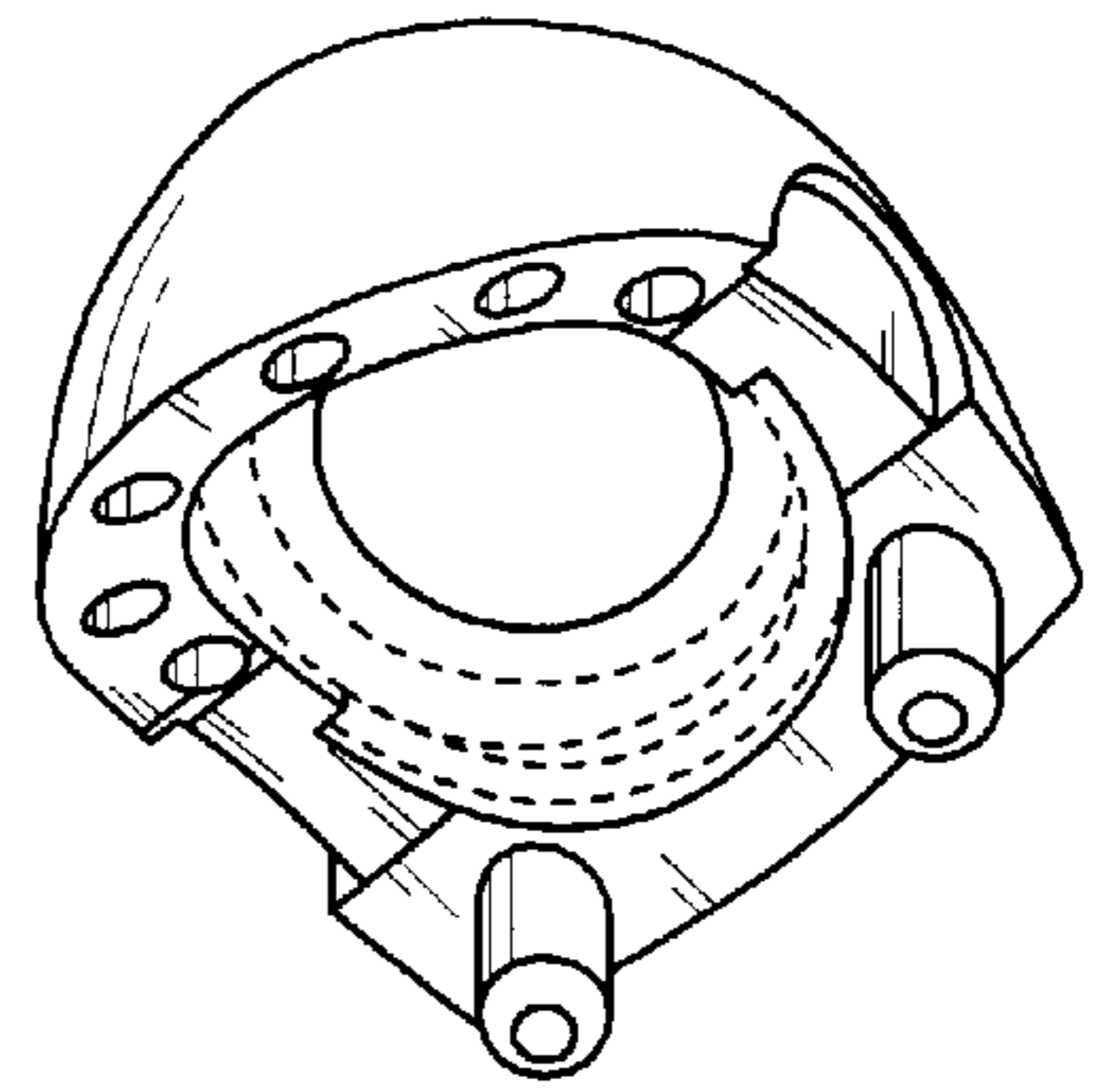


FIG. 3

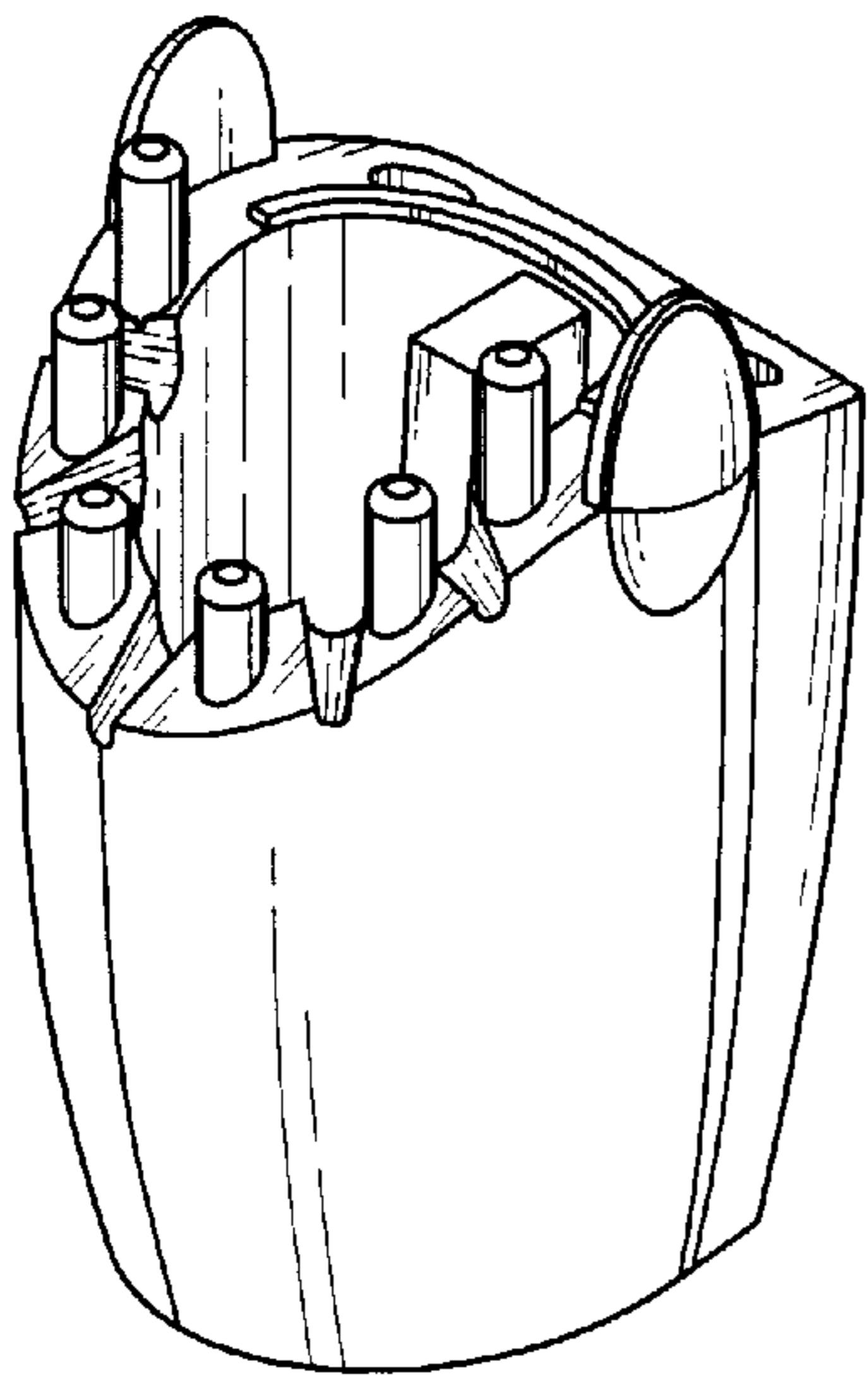


FIG. 4

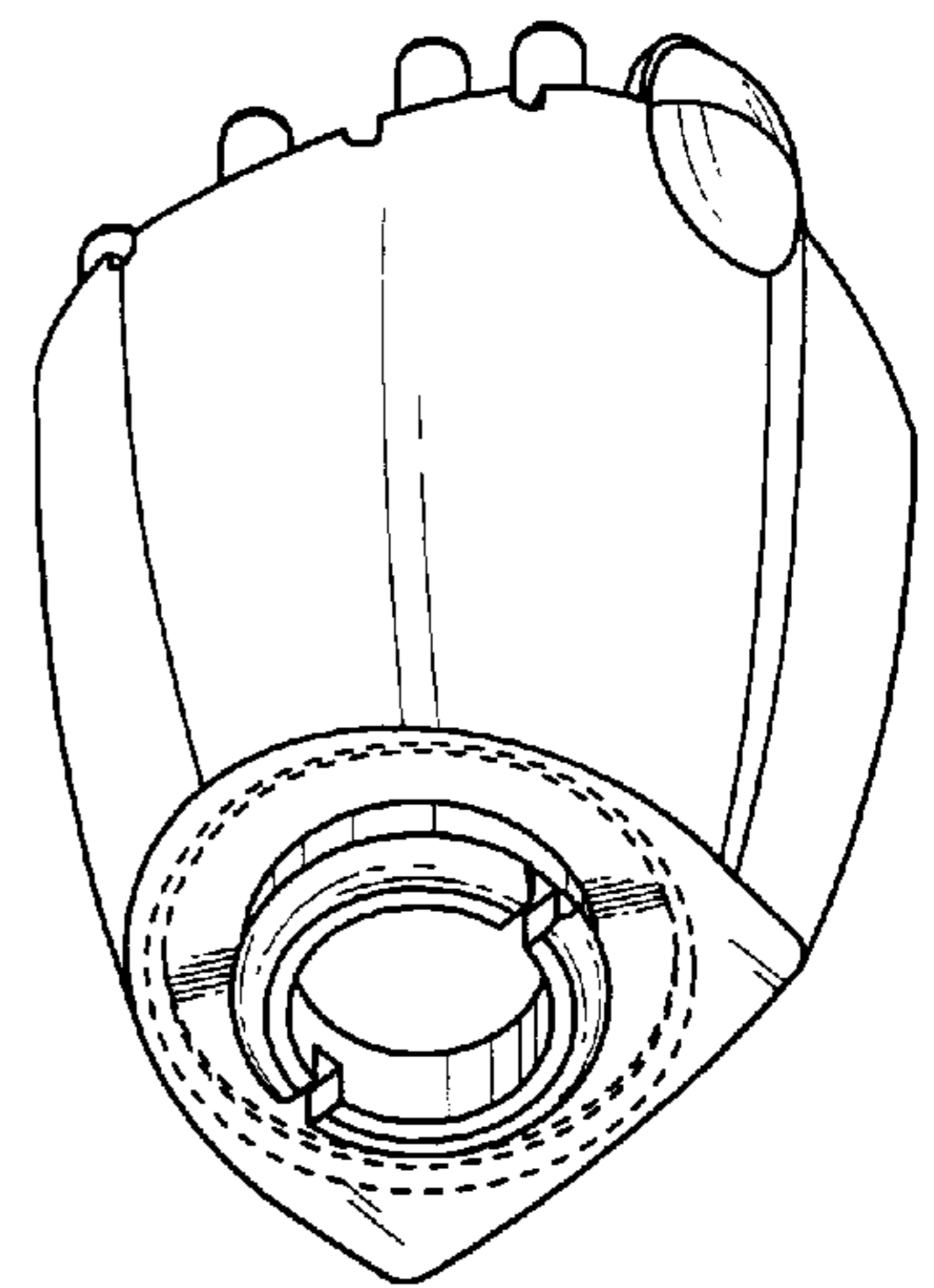


FIG. 5

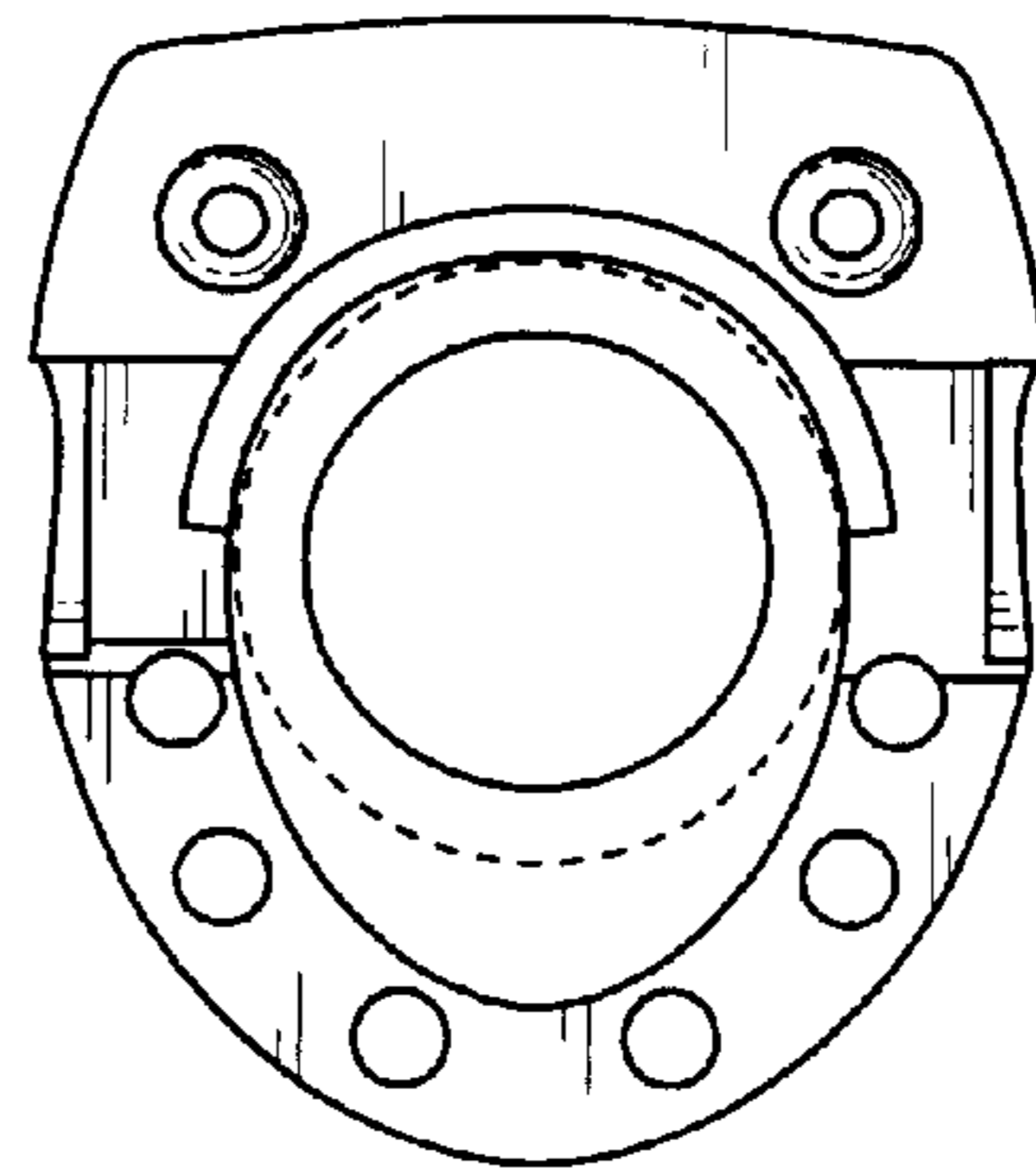


FIG. 6

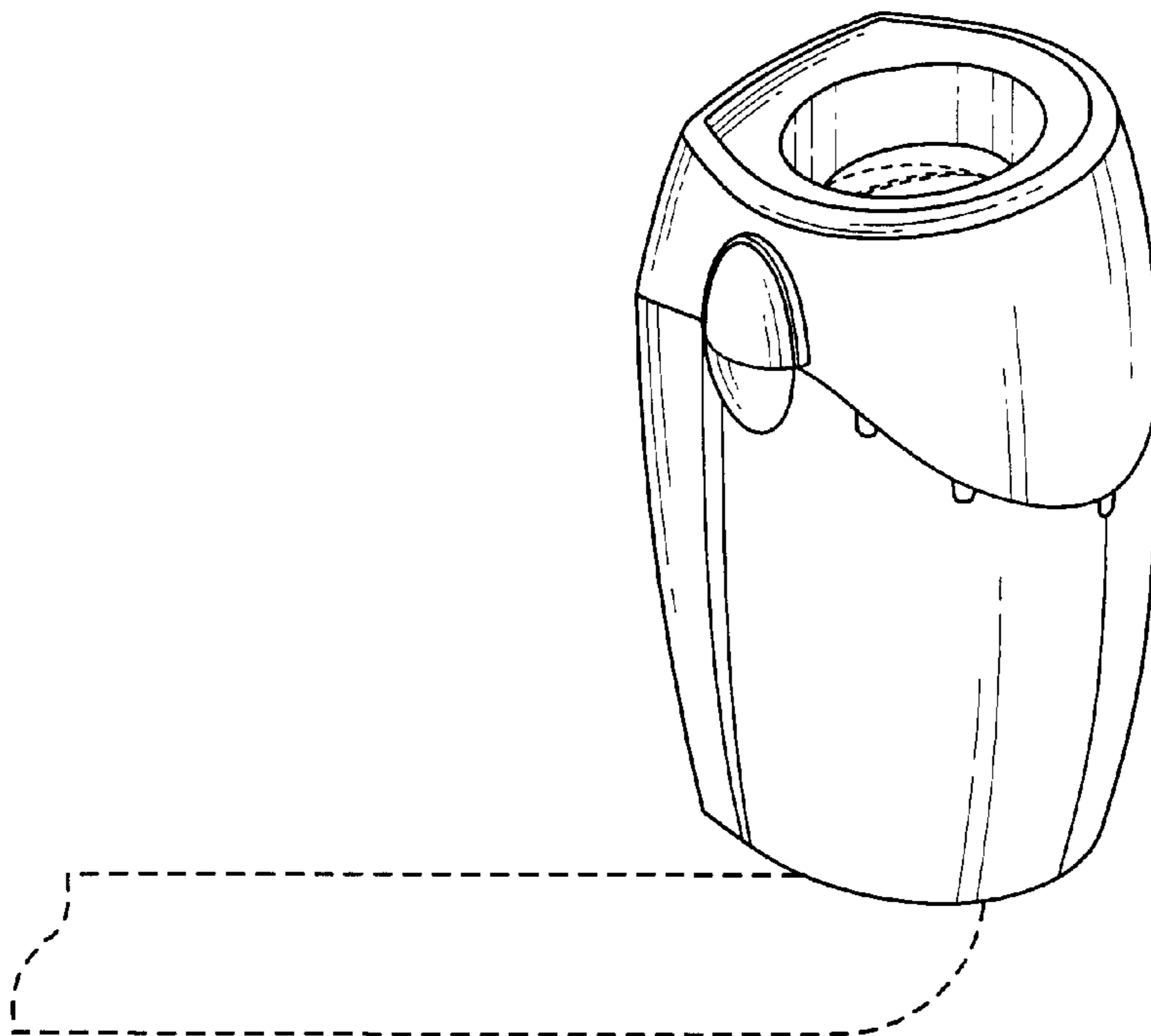


FIG. 7