



US00D480521S

(12) **United States Design Patent** (10) **Patent No.:** **US D480,521 S**
Medema (45) **Date of Patent:** **** Oct. 7, 2003**

(54) **UPRIGHT PORTION OF A VACUUM CLEANER**

(75) Inventor: **Douglas J. Medema**, Belding, MI (US)

(73) Assignee: **Bissell Homecare, Inc.**, Grand Rapids, MI (US)

(**) Term: **14 Years**

(21) Appl. No.: **29/153,751**

(22) Filed: **Jan. 10, 2002**

(51) **LOC (7) Cl.** **15-05**

(52) **U.S. Cl.** **D32/31**

(58) **Field of Search** D32/21-22, 31-34, D32/25; 15/347, 350-353, 320-322, 361, 377, 415.1-422.1, 410, 383, 329, 327.1

(56) **References Cited**

U.S. PATENT DOCUMENTS

D301,648 S	*	6/1989	Kieft	D32/22
D307,069 S	*	4/1990	Kieft	D32/22
D343,033 S	*	1/1994	Shoji	D32/22
D346,052 S	*	4/1994	Saunders et al.	D32/22
D429,041 S		8/2000	Medema et al.		

6,195,835 B1		3/2001	Song et al.	
D446,366 S	*	8/2001	Paterson et al. D32/31
D448,531 S	*	9/2001	Paterson et al. D32/31
D448,901 S	*	10/2001	Paterson et al. D32/31
D449,141 S	*	10/2001	Paterson et al. D32/31

* cited by examiner

Primary Examiner—Ruth McInroy

(74) *Attorney, Agent, or Firm*—McGarry Bair PC

(57) **CLAIM**

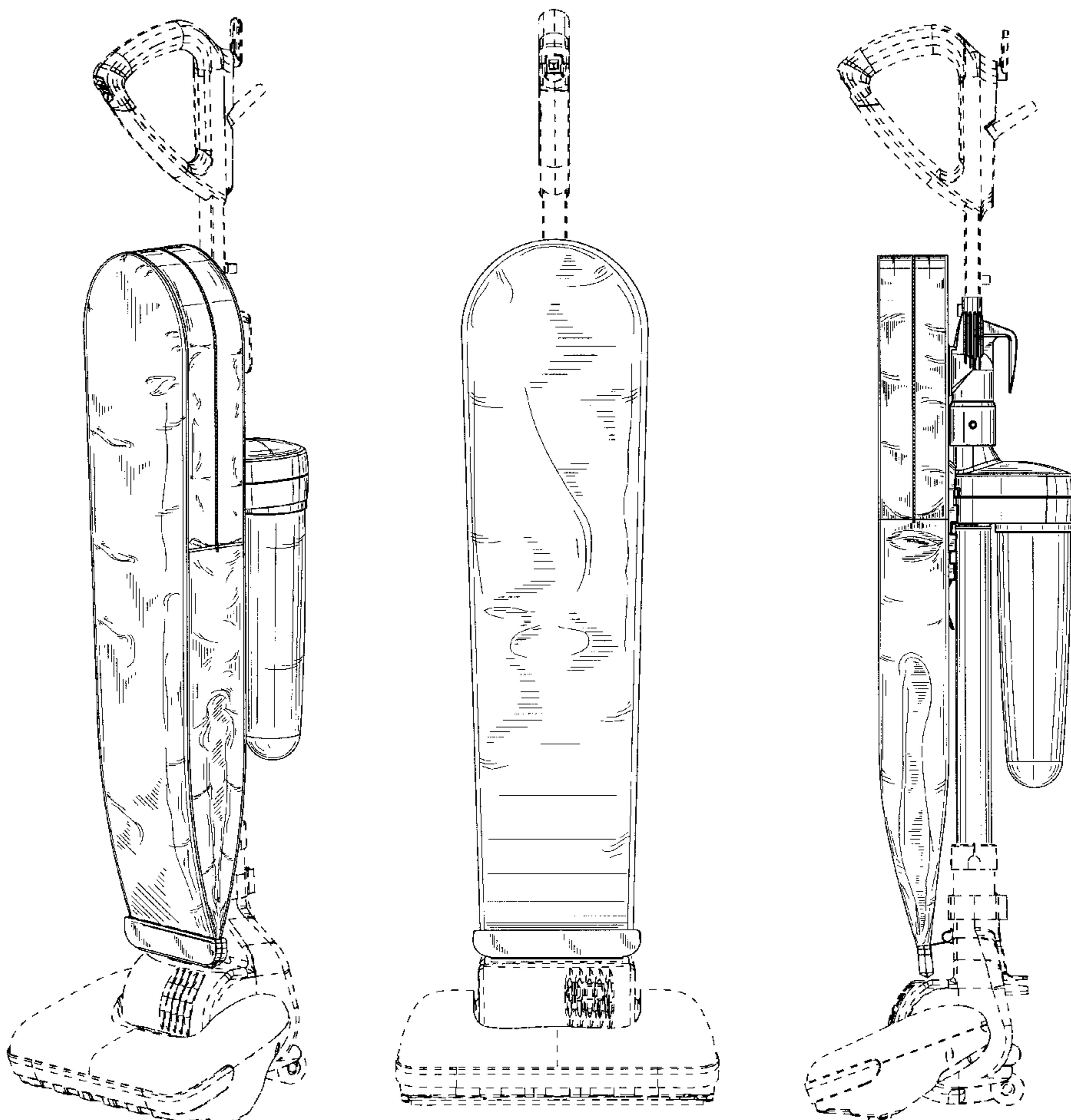
The ornamental design for an upright portion of a vacuum cleaner, as shown and described.

DESCRIPTION

FIG. 1 is a perspective view of an upright portion of a vacuum cleaner showing my new design;
 FIG. 2 is a front view thereof;
 FIG. 3 is a rear view thereof;
 FIG. 4 is a right side view thereof;
 FIG. 5 is a left side view thereof;
 FIG. 6 is a top view thereof; and,
 FIG. 7 is a bottom view thereof.

The portions of the drawings shown in broken lines form no part of the claimed design.

1 Claim, 4 Drawing Sheets



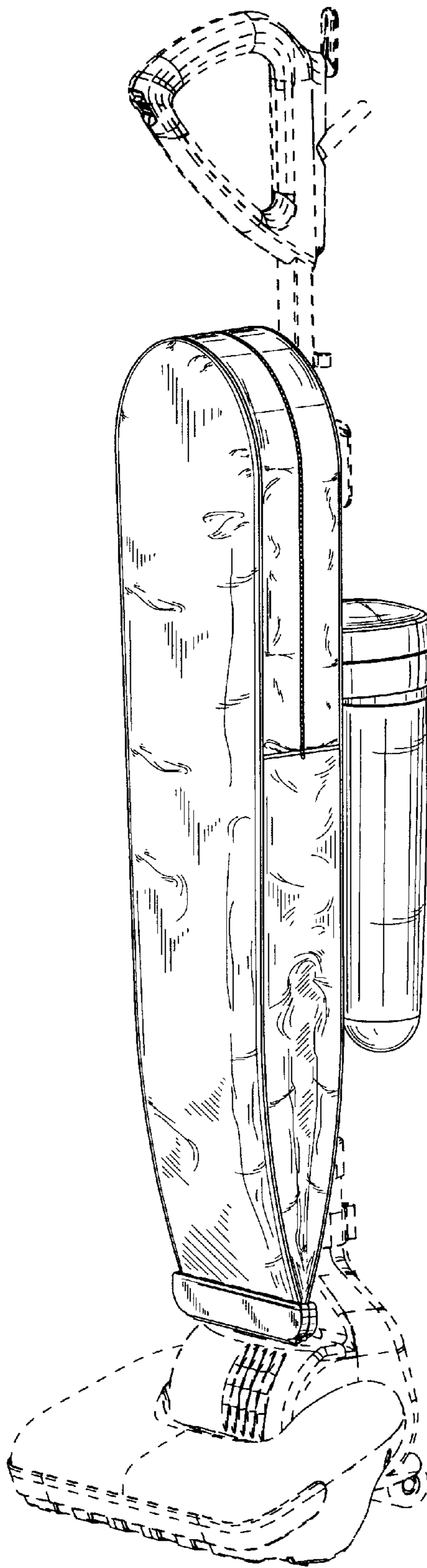


Fig. 1

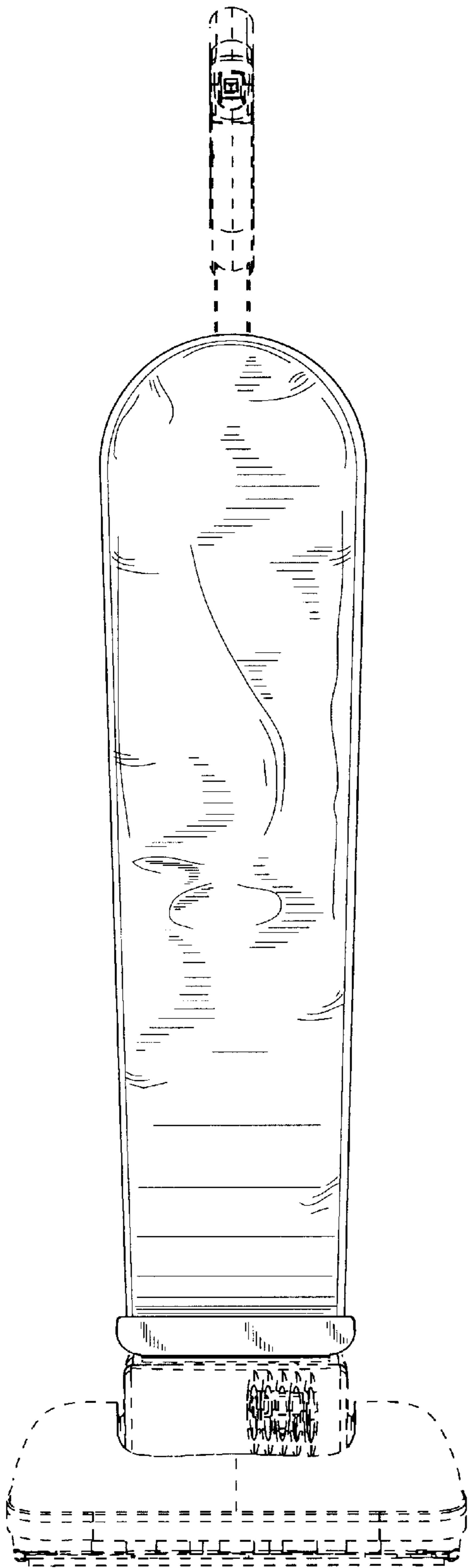


Fig. 2

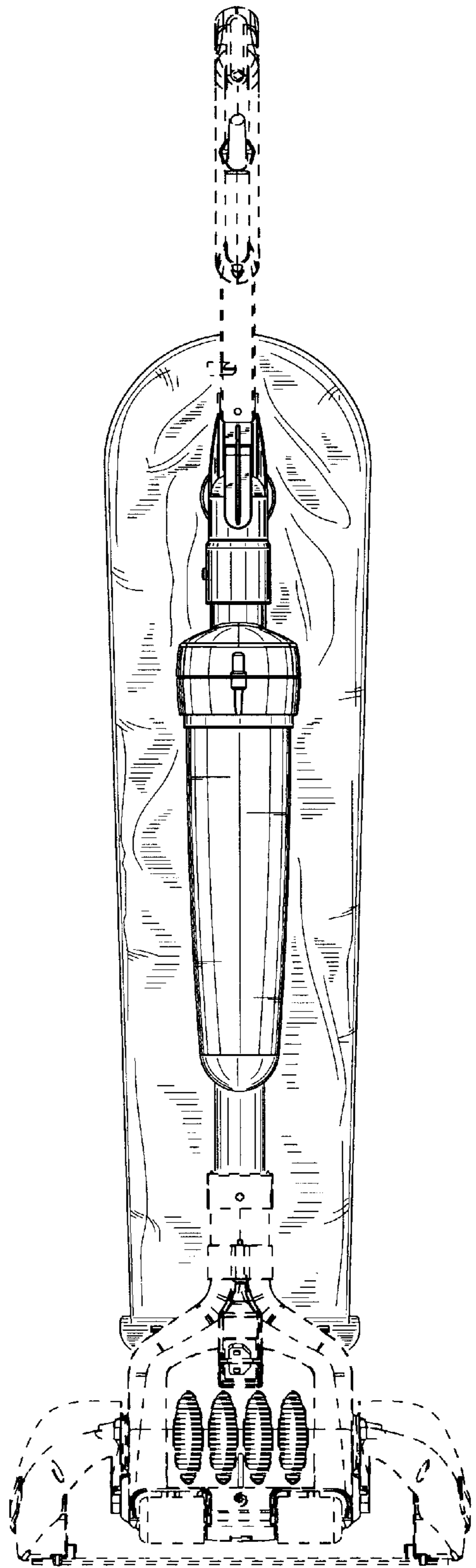


Fig. 3

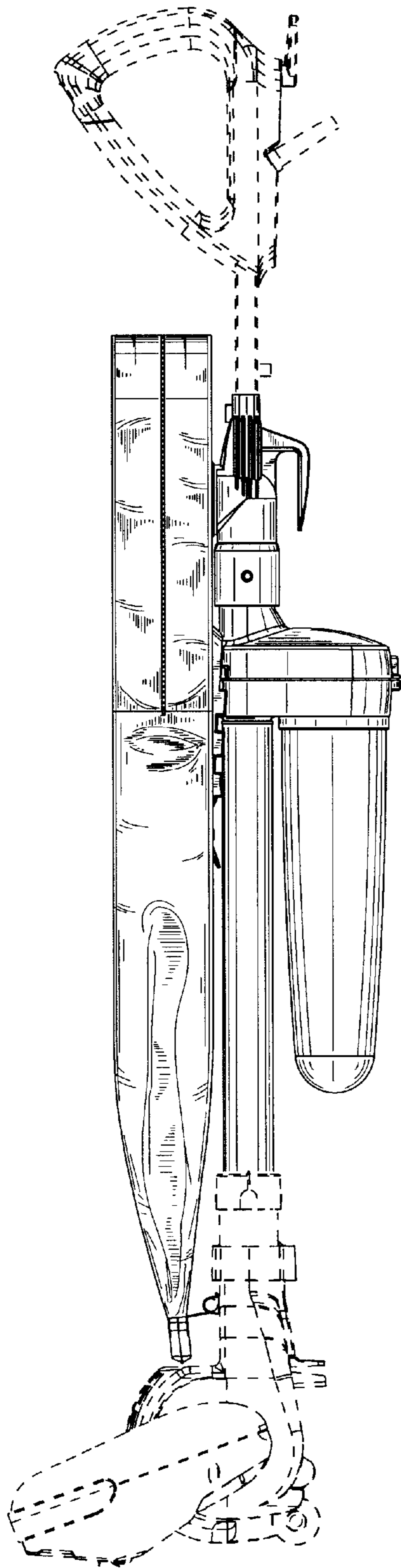


Fig. 4

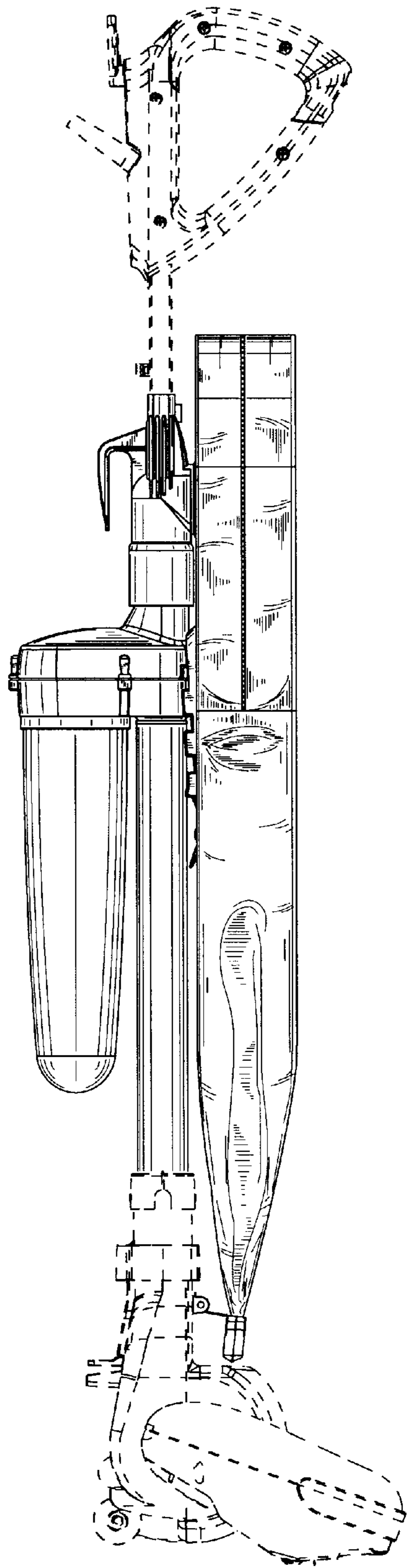


Fig. 5

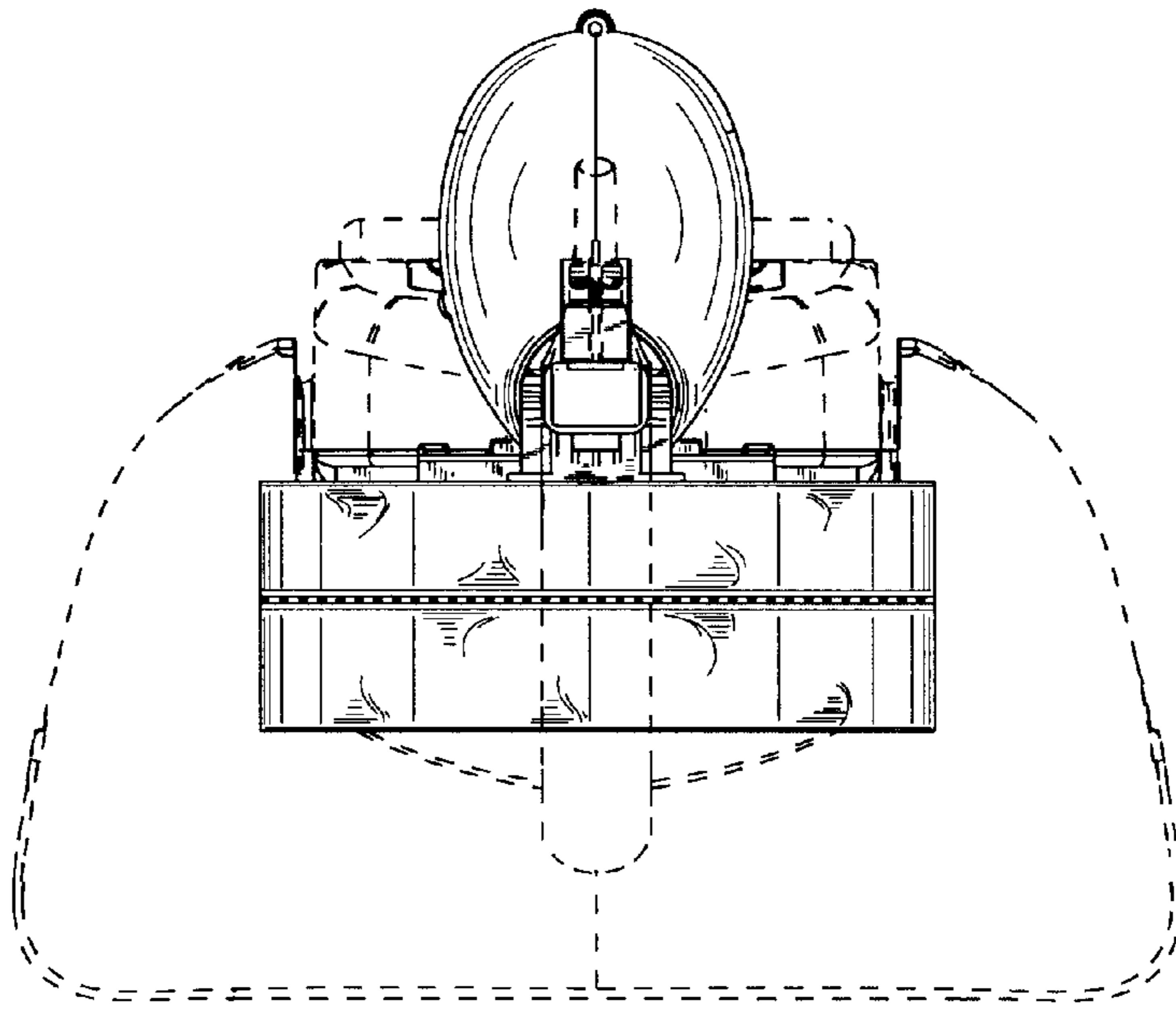


Fig. 6

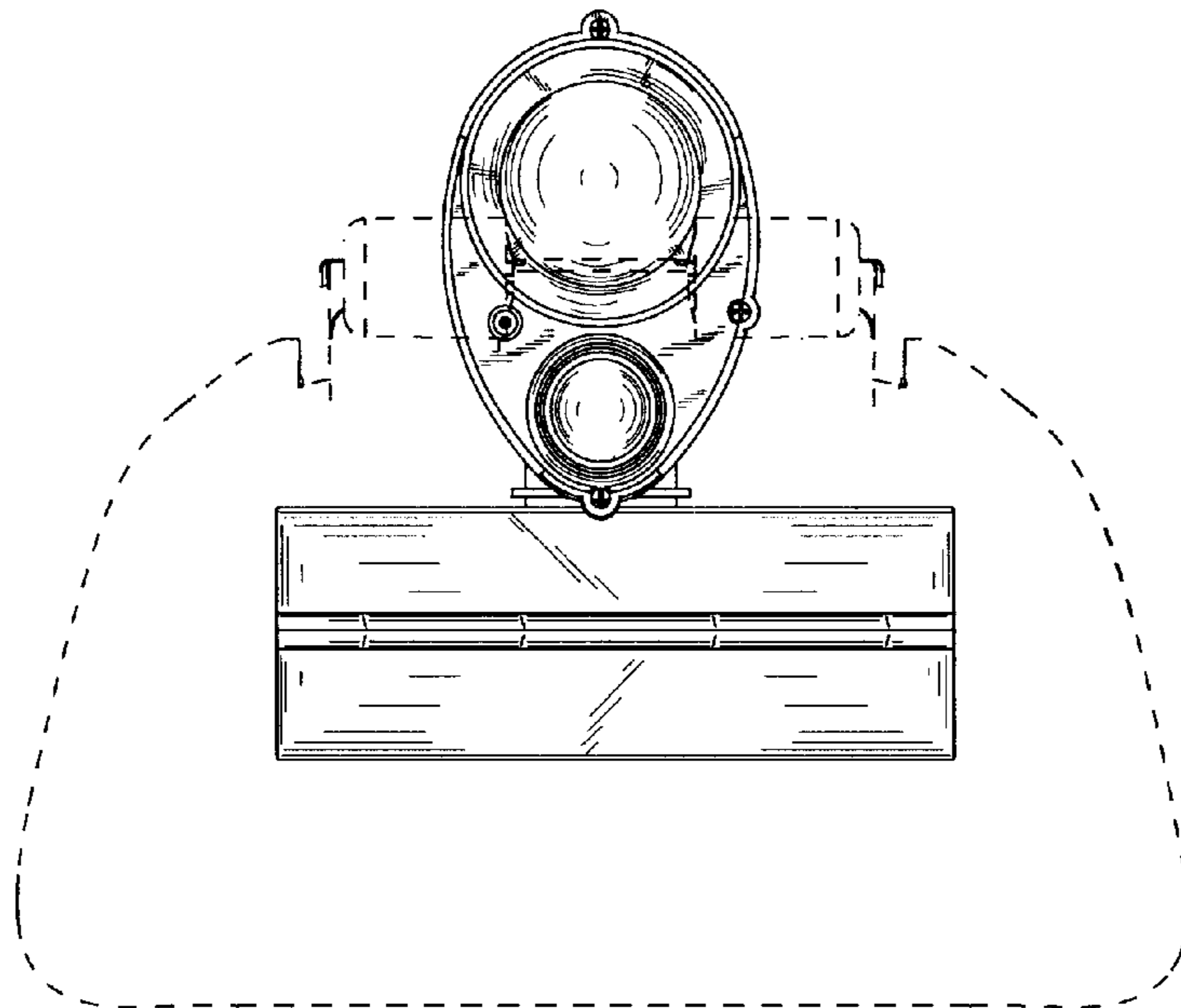


Fig. 7