



US00D480516S

(12) **United States Design Patent**
Wenstrand

(10) **Patent No.:** **US D480,516 S**

(45) **Date of Patent:** **** Oct. 7, 2003**

(54) **ALL WEATHER ANIMAL DRINKER**

D421,158 S * 2/2000 Thomson D30/121
D446,889 S * 8/2001 Bornhofen D30/129

(76) Inventor: **Thomas W. Wenstrand**, 1702 Oakland Mills Rd., Mt. Pleasant, IA (US) 52641

* cited by examiner

(**) Term: **14 Years**

Primary Examiner—Pamela Burgess
(74) *Attorney, Agent, or Firm*—Robert A. Brown

(21) Appl. No.: **29/158,168**

(57) **CLAIM**

(22) Filed: **Mar. 29, 2002**

The ornamental design for an all weather animal drinker, as shown and described.

(51) **LOC (7) Cl.** **30-03**

(52) **U.S. Cl.** **D30/132**

(58) **Field of Search** D30/121-133;
119/51.01, 51.04, 51.11, 51.13, 51.5, 52.2,
52.4, 54

DESCRIPTION

FIG. 1 is a top perspective view of an all weather animal drinker showing my new design;
FIG. 2 is a left side perspective view thereof;
FIG. 3 is a front elevational view thereof;
FIG. 4 is a rear elevational view thereof;
FIG. 5 is a left side elevational view thereof;
FIG. 6 is a right side elevational view thereof;
FIG. 7 is a top plan view thereof; and,
FIG. 8 is a bottom plan view thereof.

(56) **References Cited**

U.S. PATENT DOCUMENTS

4,947,796 A * 8/1990 Robinette 119/51.5
D358,917 S * 5/1995 Keys D30/129
D400,316 S * 10/1998 Kolterman et al. D30/129
D407,864 S * 4/1999 Olaiz D30/129

1 Claim, 7 Drawing Sheets

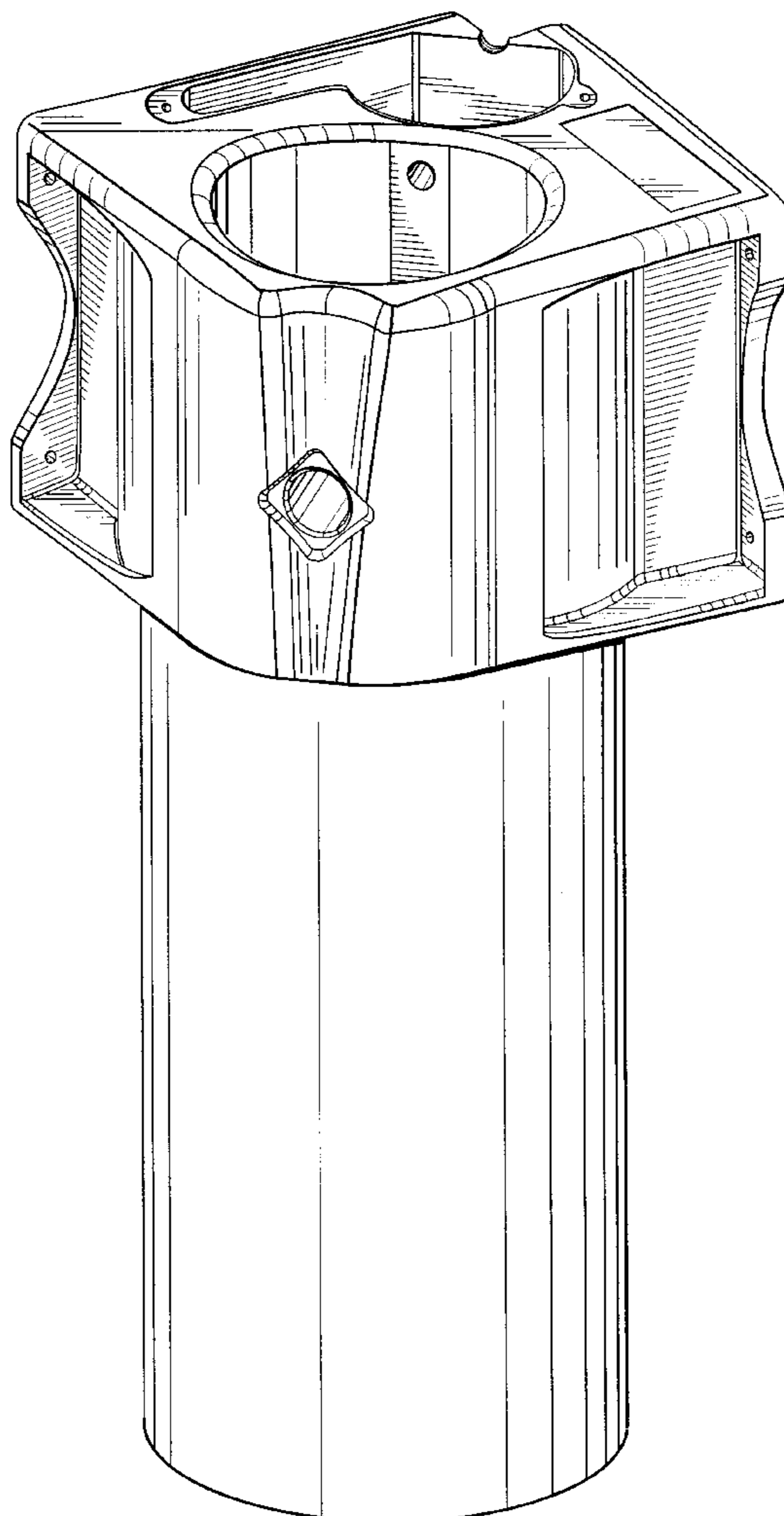


FIG. 1

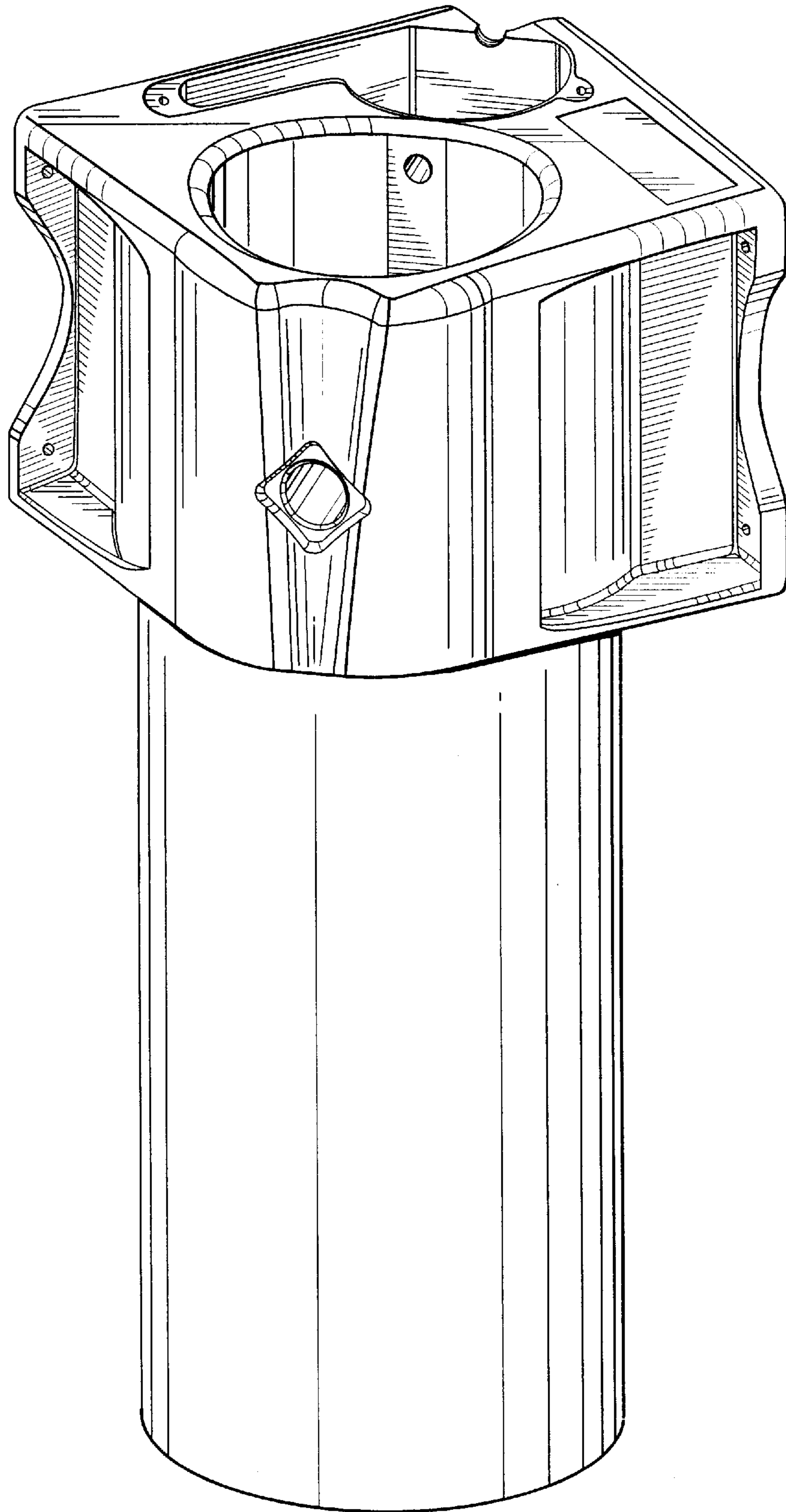


FIG. 2

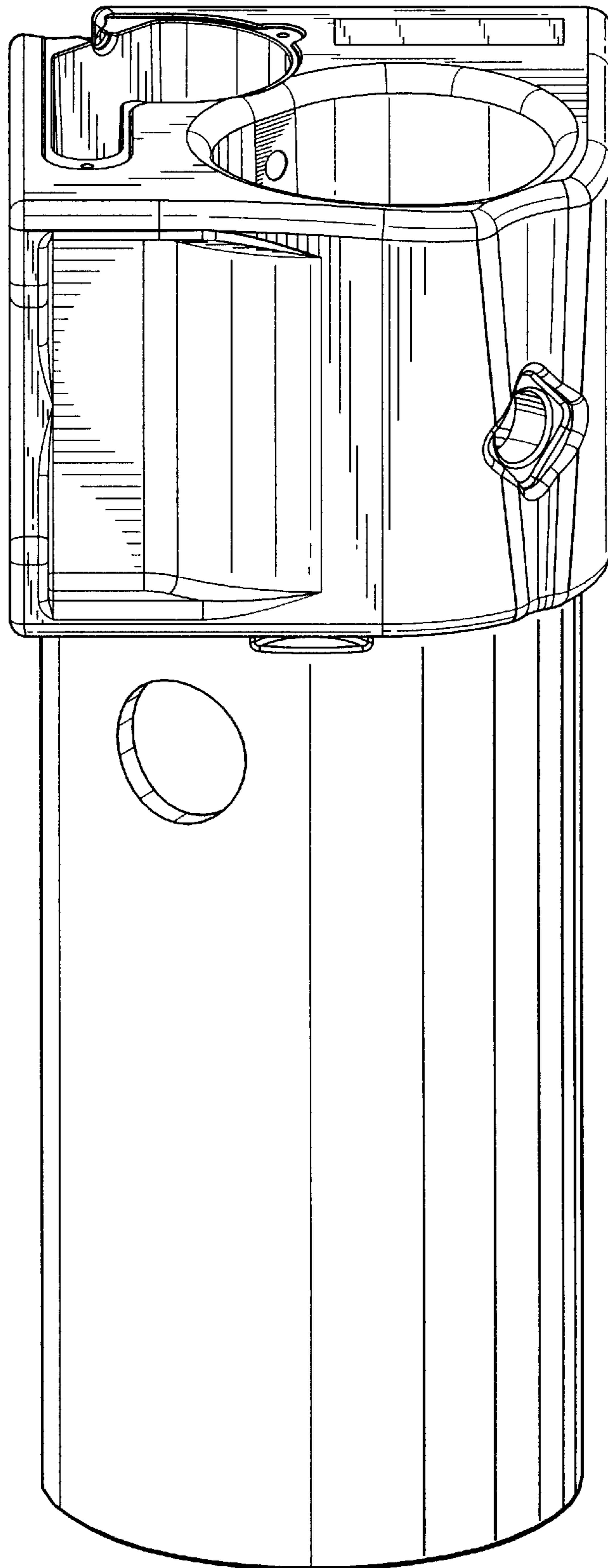


FIG. 3

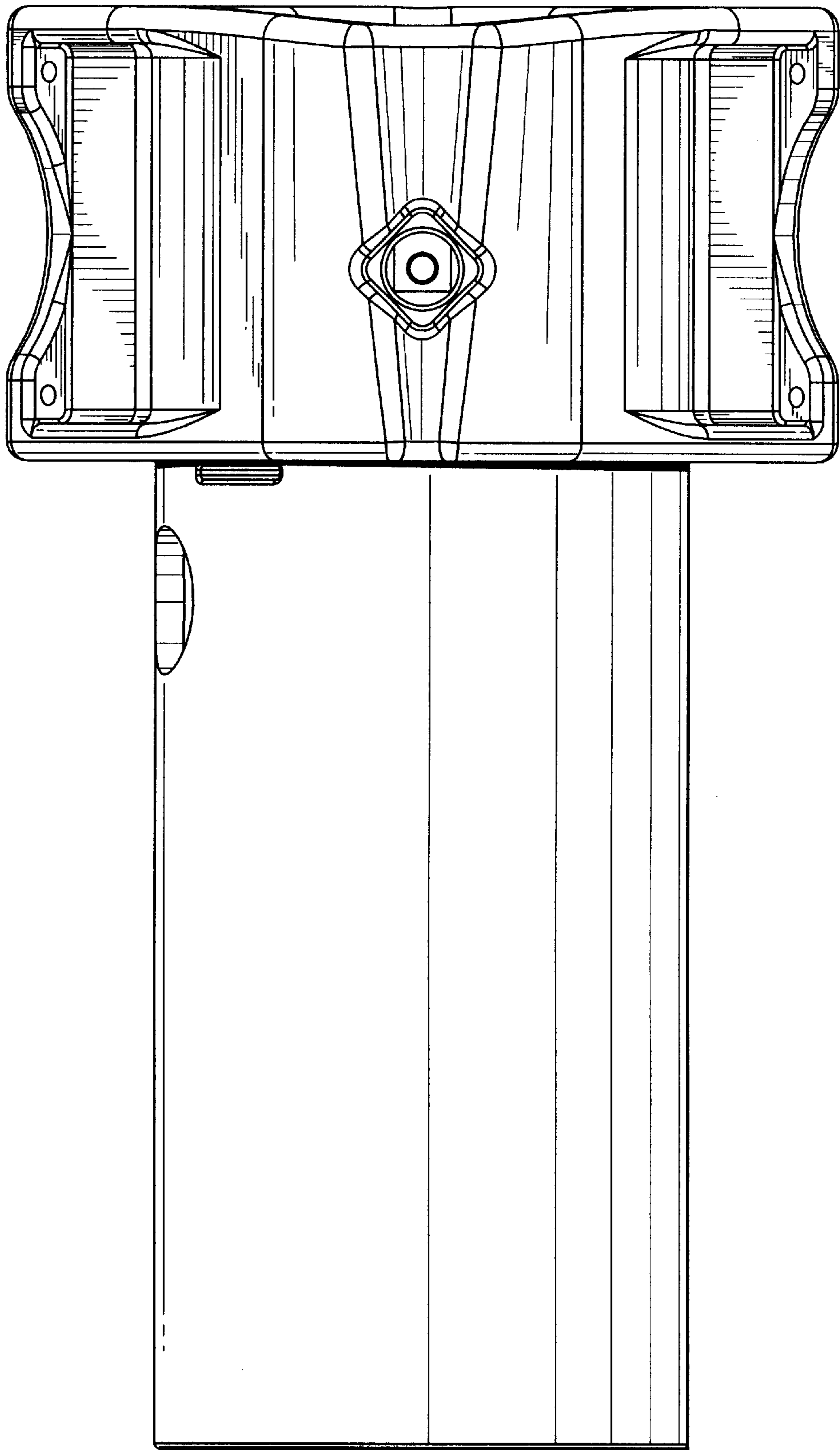


FIG. 4

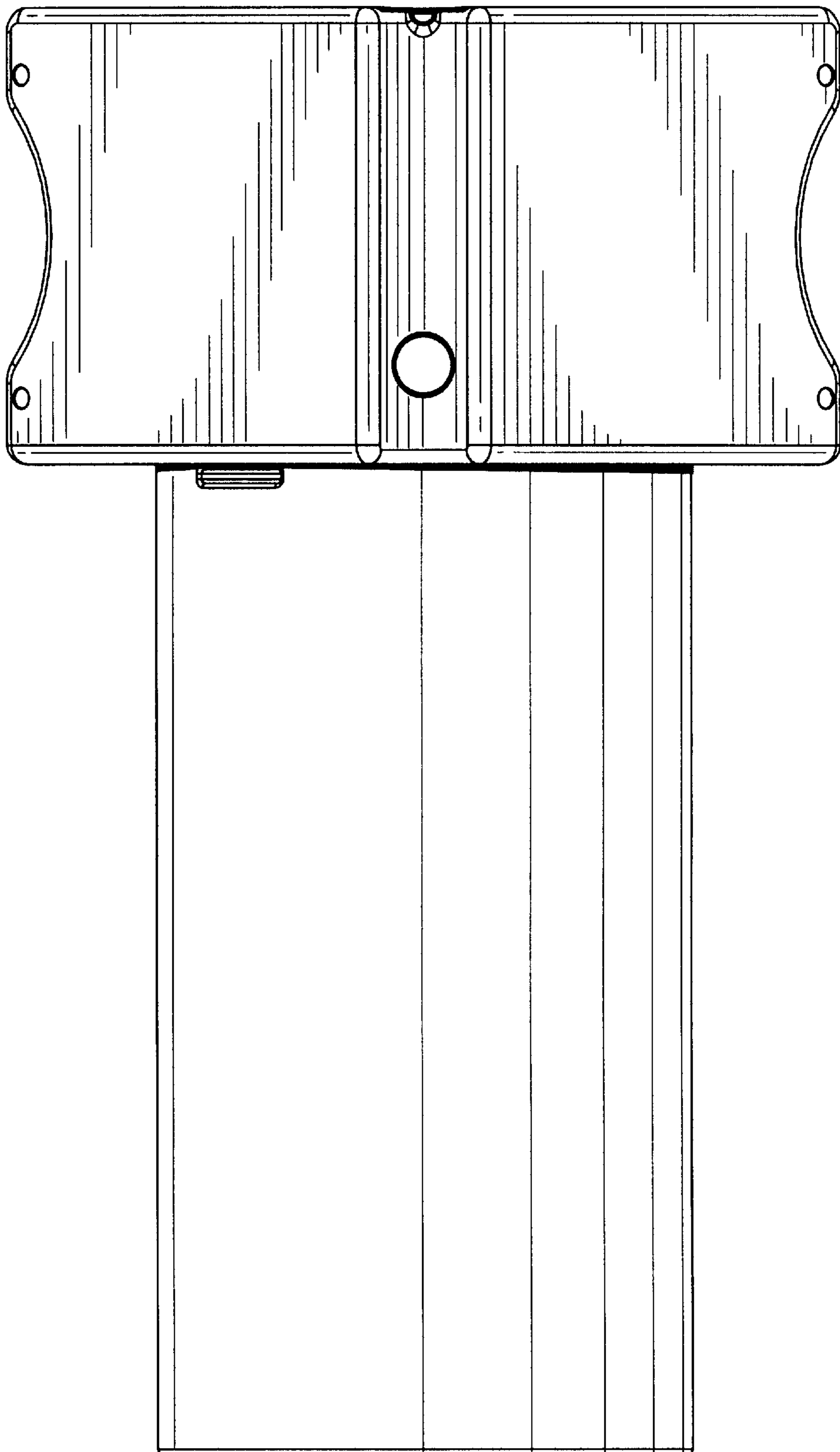


FIG. 5

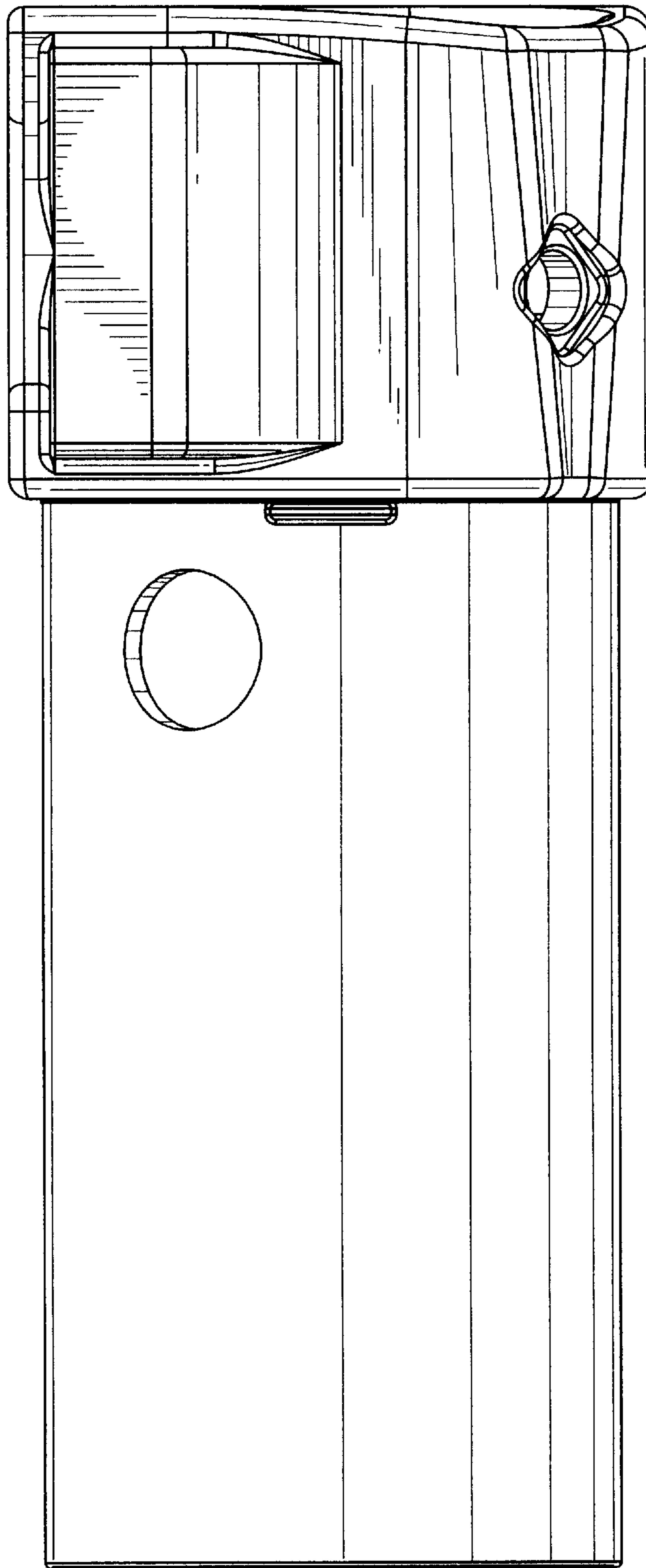


FIG. 6

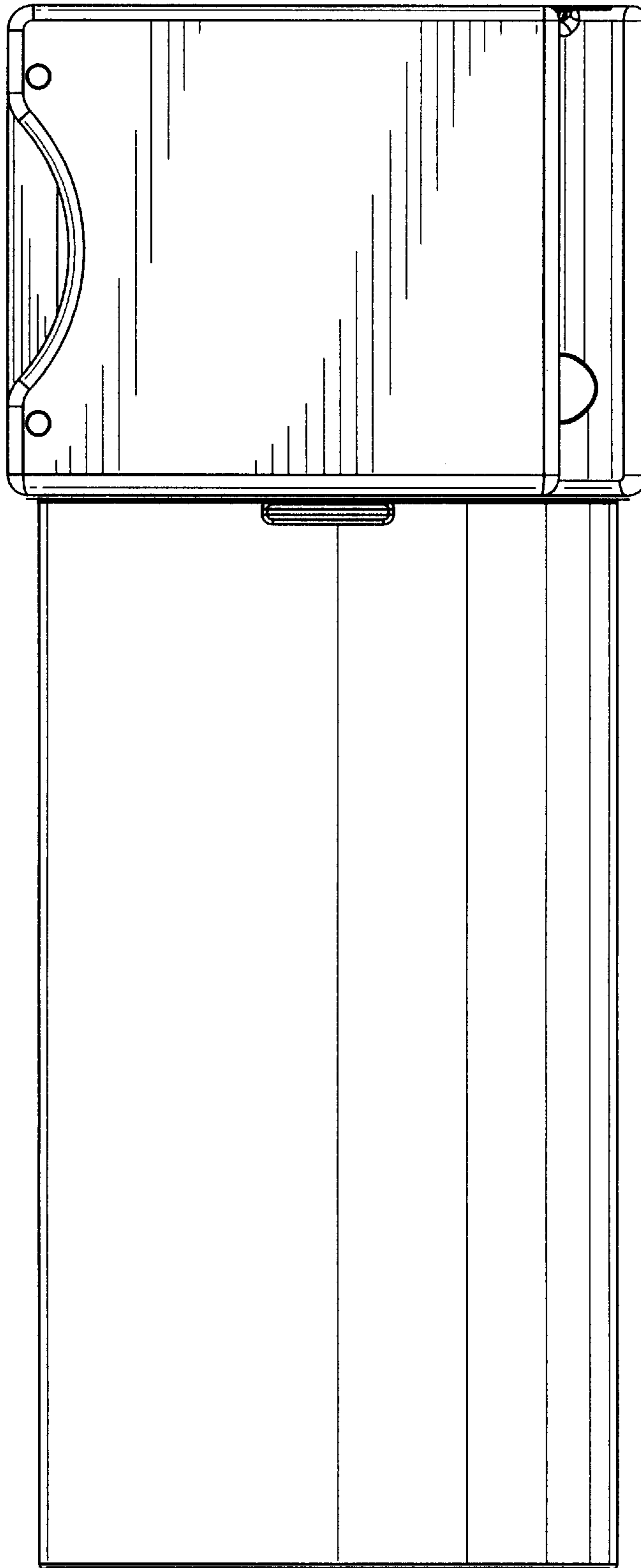


FIG. 7

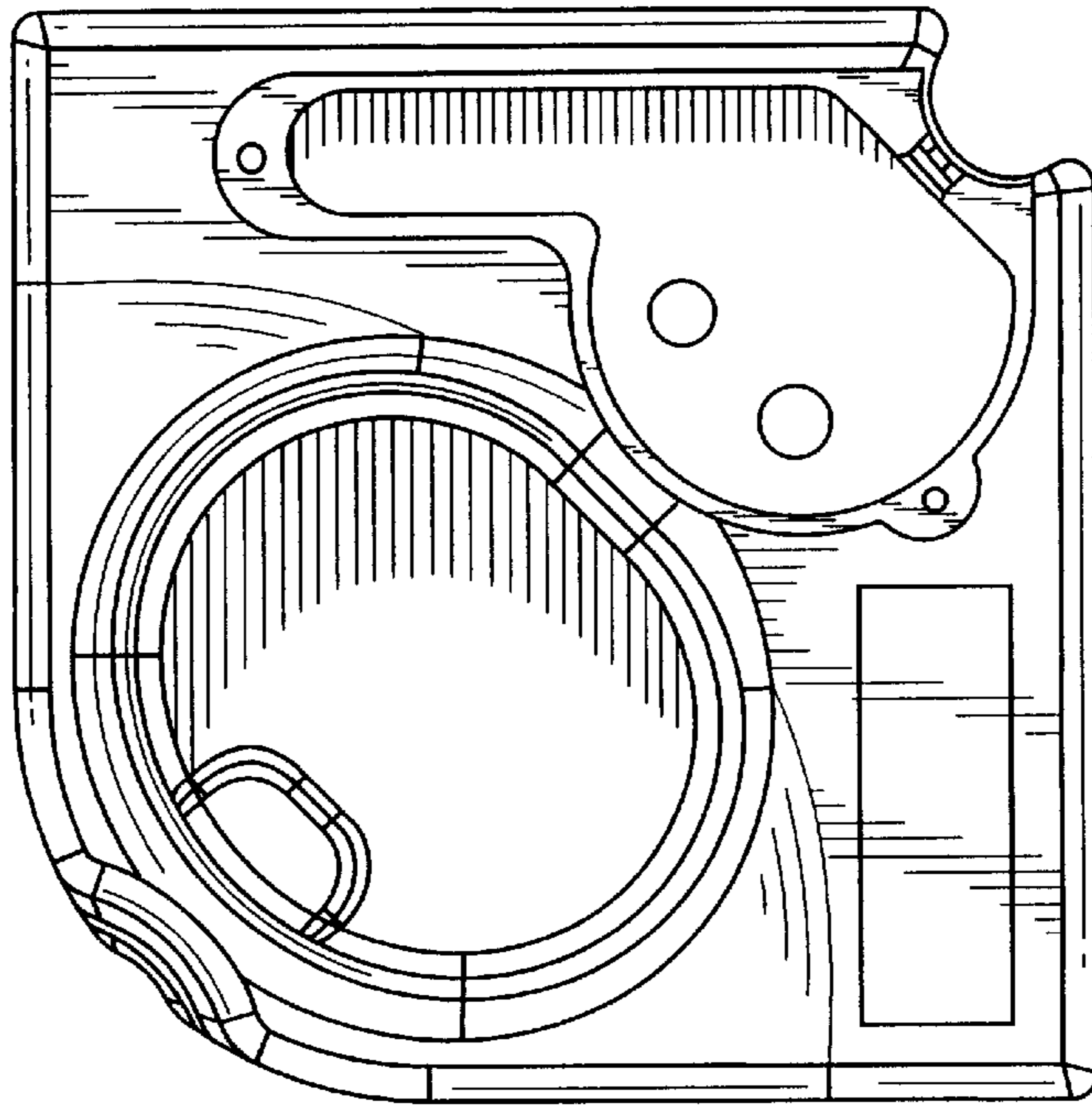


FIG. 8

