



US00D480512S

(12) **United States Design Patent**
Sheng

(10) **Patent No.:** **US D480,512 S**

(45) **Date of Patent:** **** Oct. 7, 2003**

(54) **COSMETIC CASE**

D455,614 S * 4/2002 Miller D7/629

(76) Inventor: **Wen-Cheng Sheng**, No. 71, Lane 96,
Da-Shing St., Tainan City (TW)

* cited by examiner

(**) Term: **14 Years**

Primary Examiner—Jennifer Rivard
(74) *Attorney, Agent, or Firm*—Frommer Lawrence &
Haug LLP; Matthew K. Ryan

(21) Appl. No.: **29/172,336**

(57) **CLAIM**

(22) Filed: **Dec. 10, 2002**

The ornamental design for a cosmetic case, as shown and described.

(51) **LOC (7) Cl.** **28-03**

DESCRIPTION

(52) **U.S. Cl.** **D28/79; D7/629**

(58) **Field of Search** D28/73, 76, 78-84;
D3/295; 206/581, 823; 132/293-307, 314-315;
220/DIG. 26; D9/341; D7/628, 629, 602,
610

FIG. 1 is a perspective view of cosmetic case showing the new design;

FIG. 2 is a front elevational view thereof;

FIG. 3 is a rear elevational view thereof;

FIG. 4 is a left side elevational view thereof;

FIG. 5 is a right side elevational view thereof;

FIG. 6 is a top plan view thereof; and,

FIG. 7 is a bottom plan view thereof.

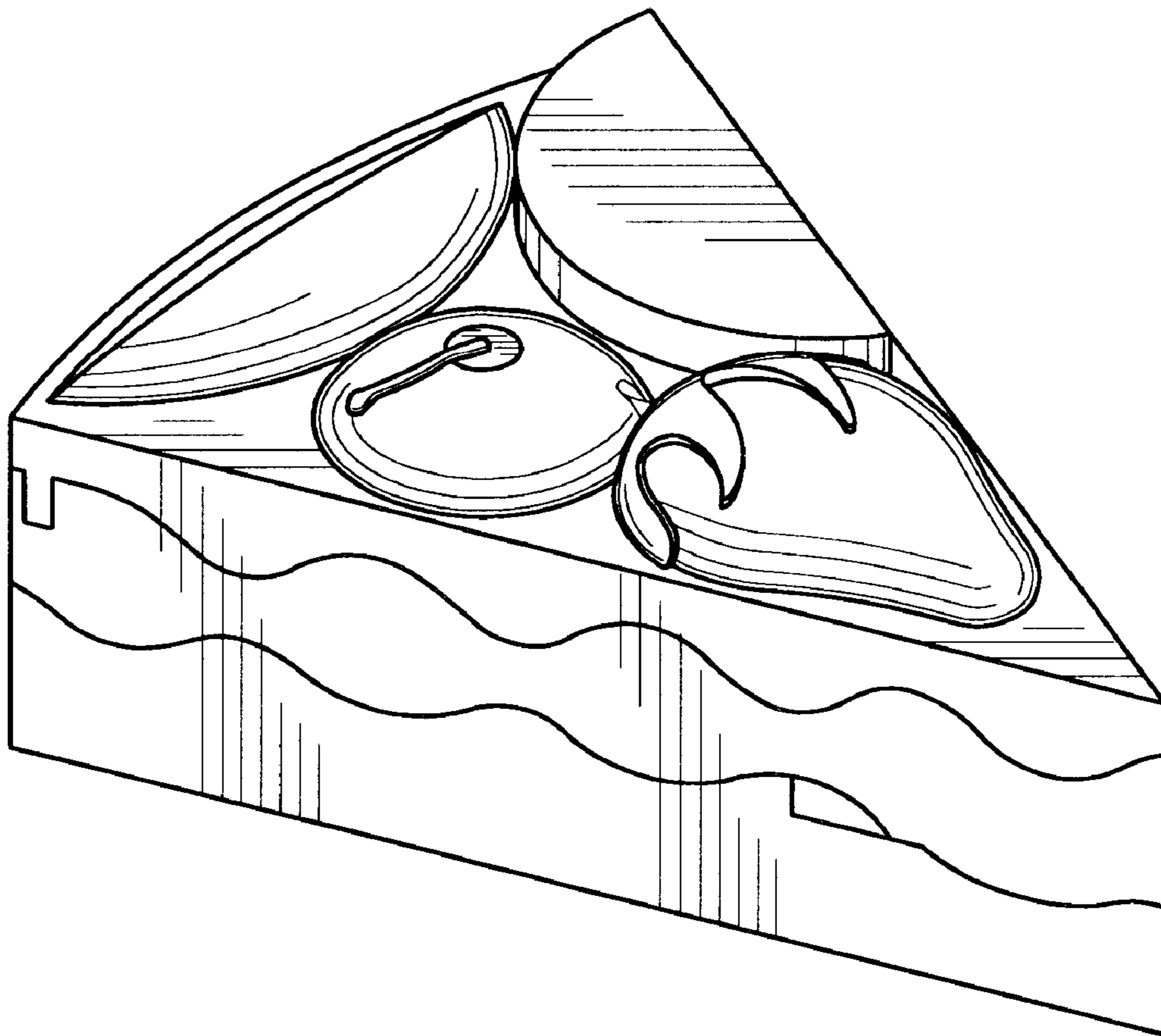
(56) **References Cited**

U.S. PATENT DOCUMENTS

D116,726 S * 9/1939 Schiaparelli D28/78

D455,318 S * 4/2002 Miller D7/602

1 Claim, 4 Drawing Sheets



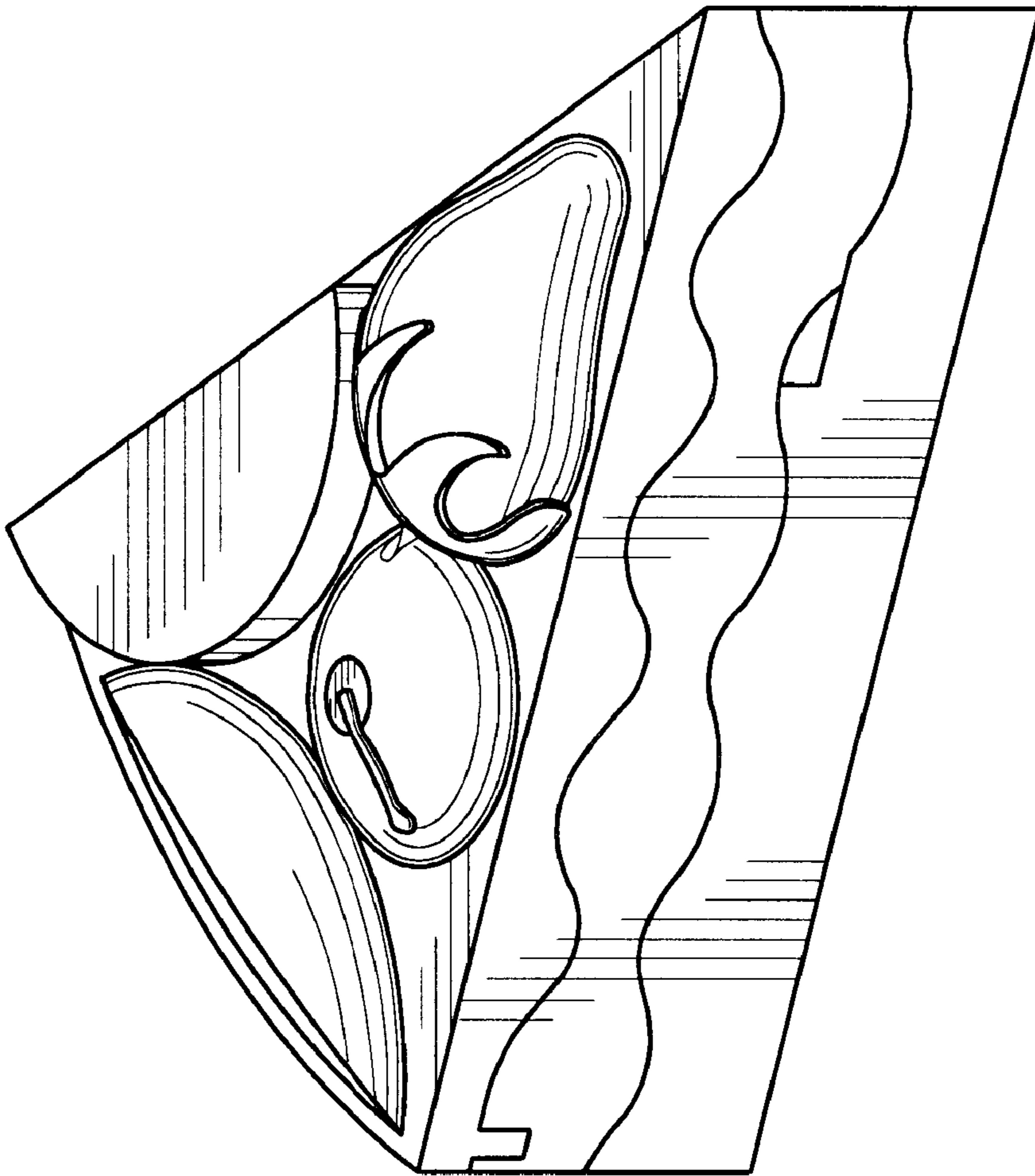


FIG. 1

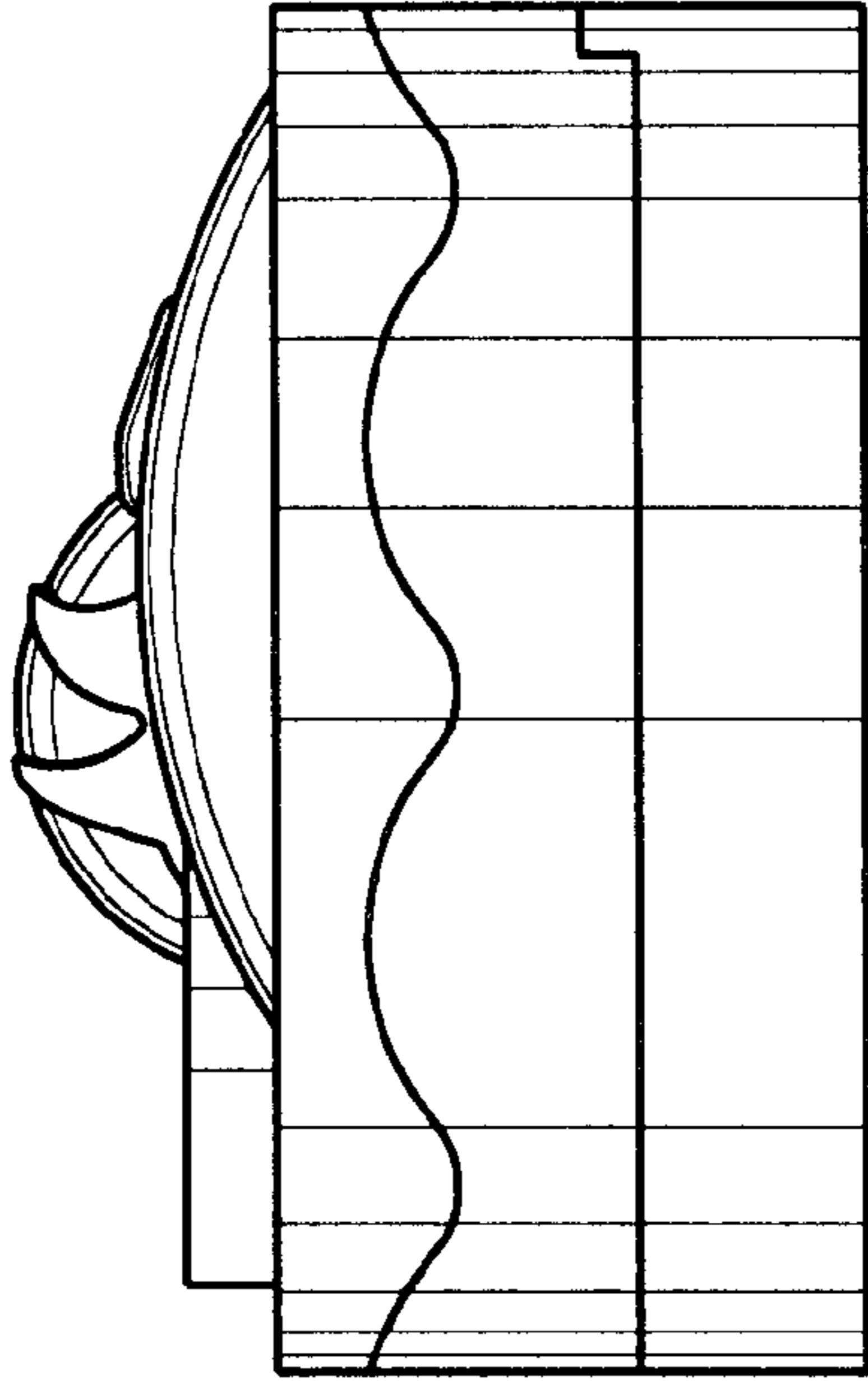


FIG. 3

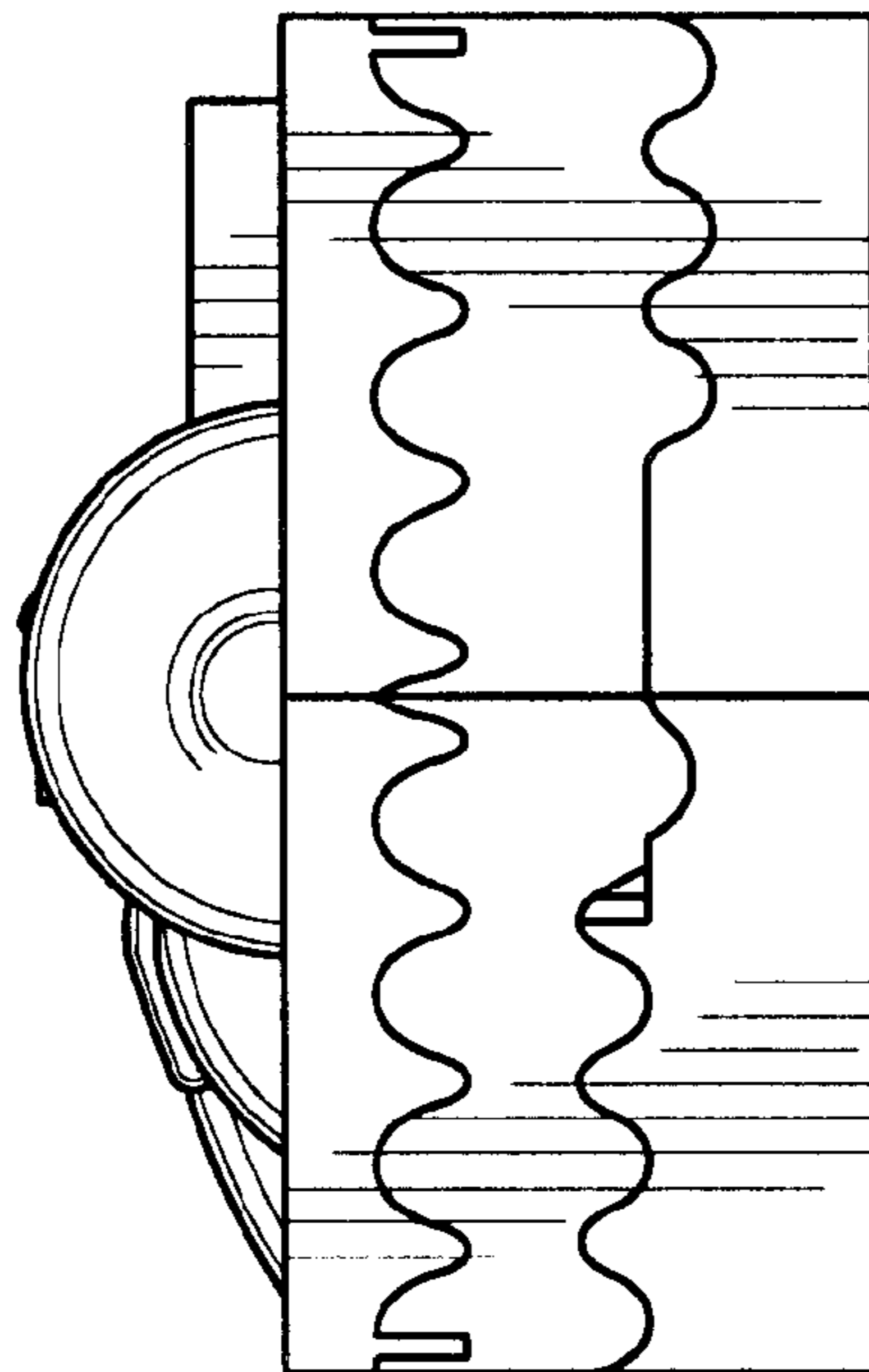


FIG. 2

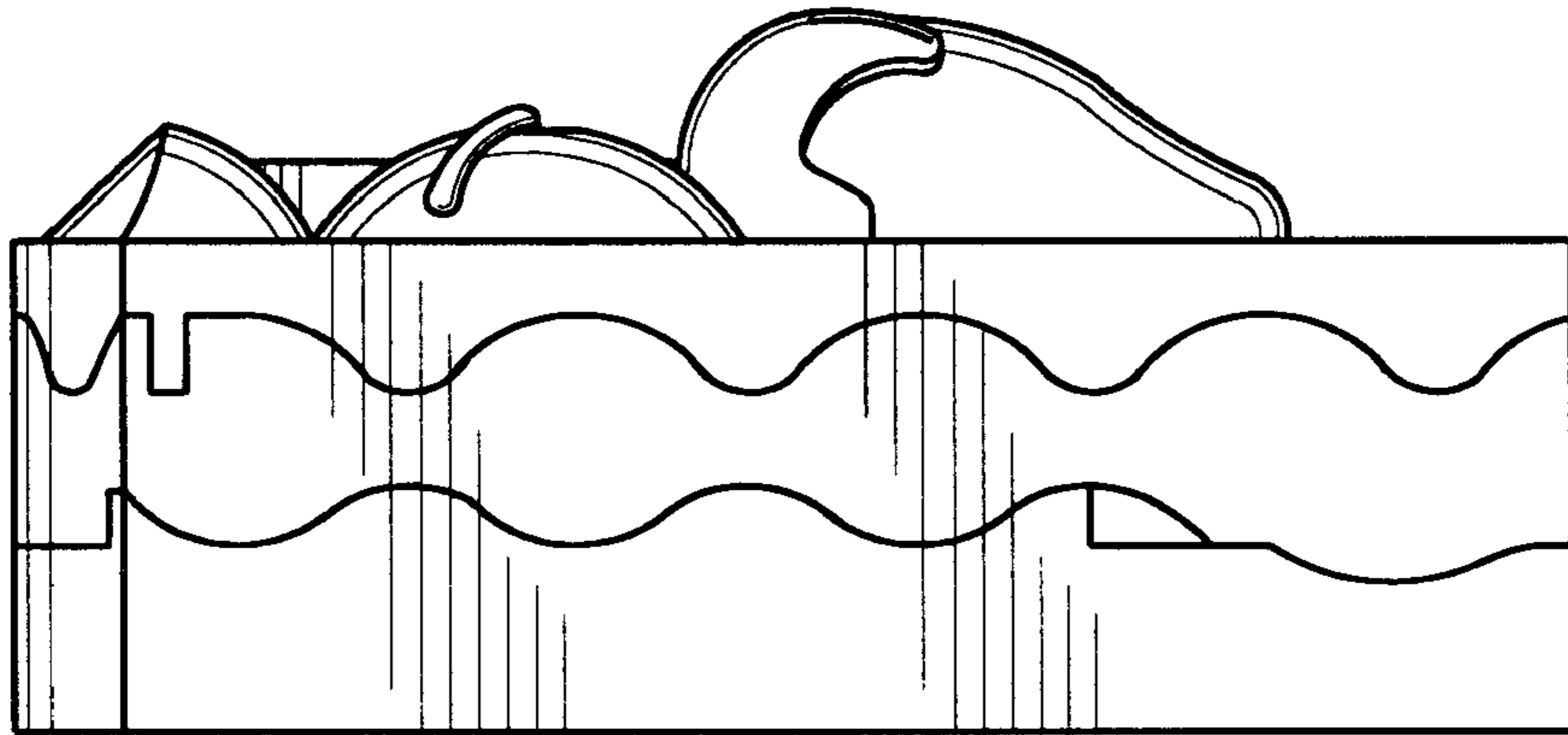


FIG. 4

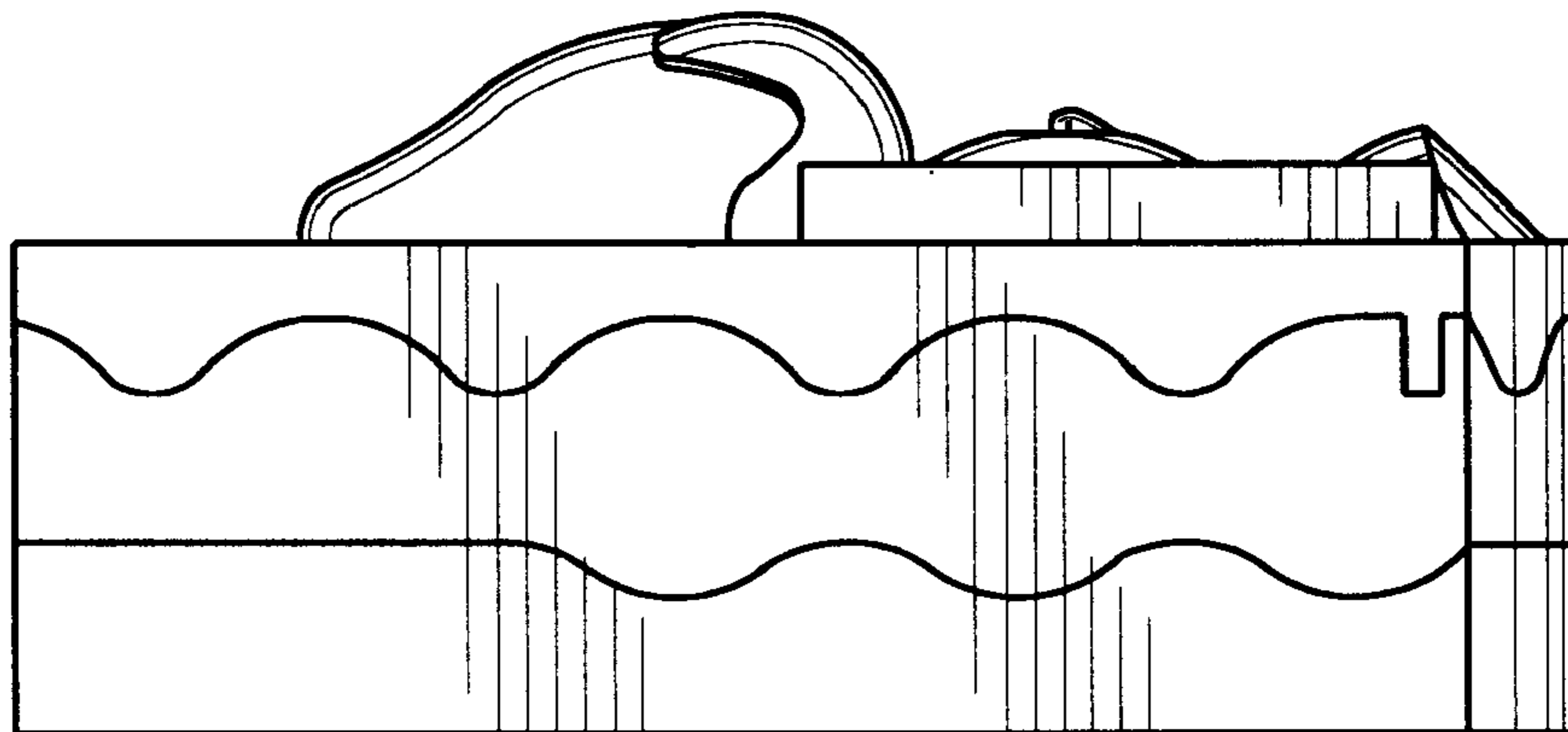


FIG. 5

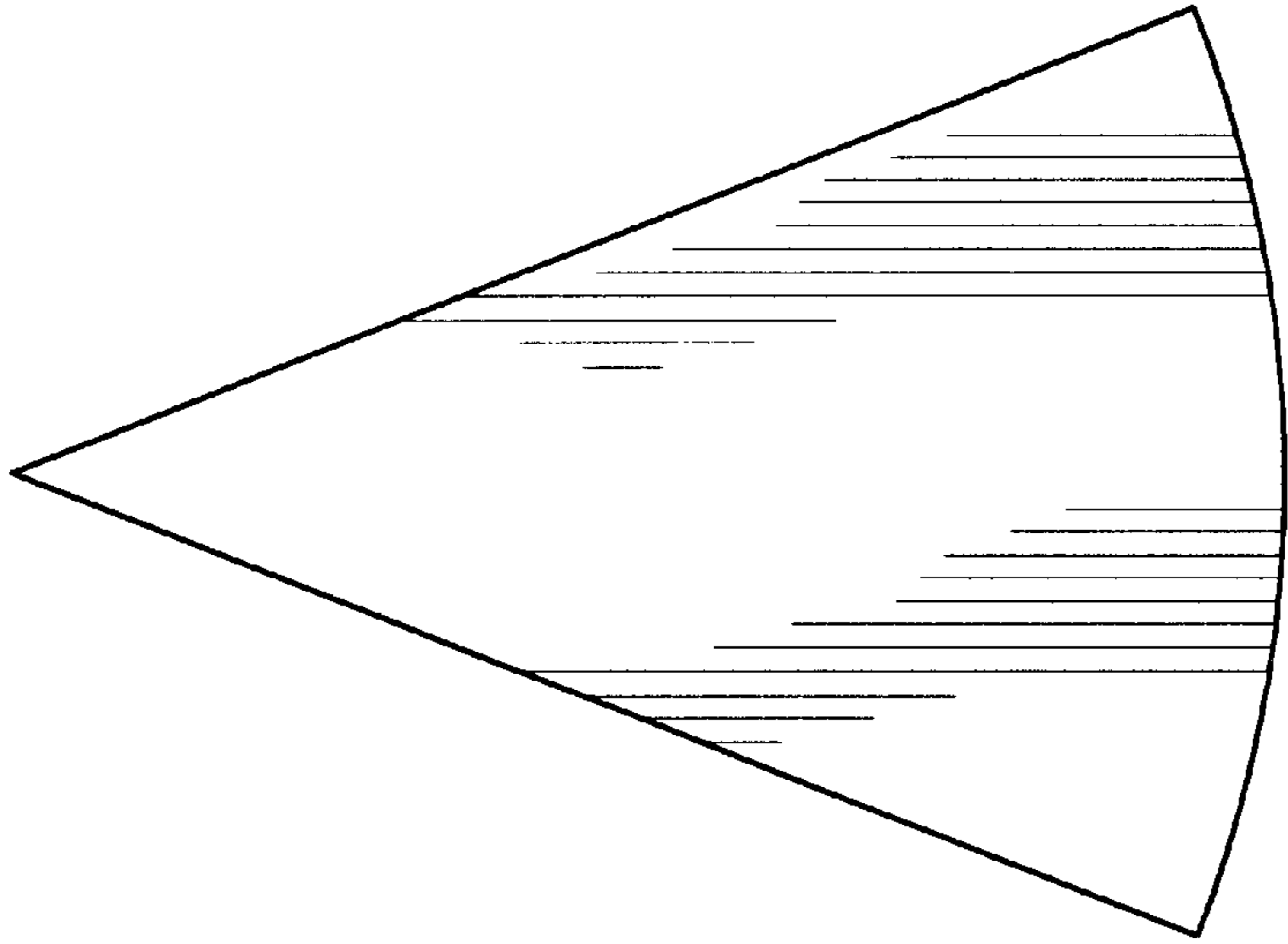


FIG. 7

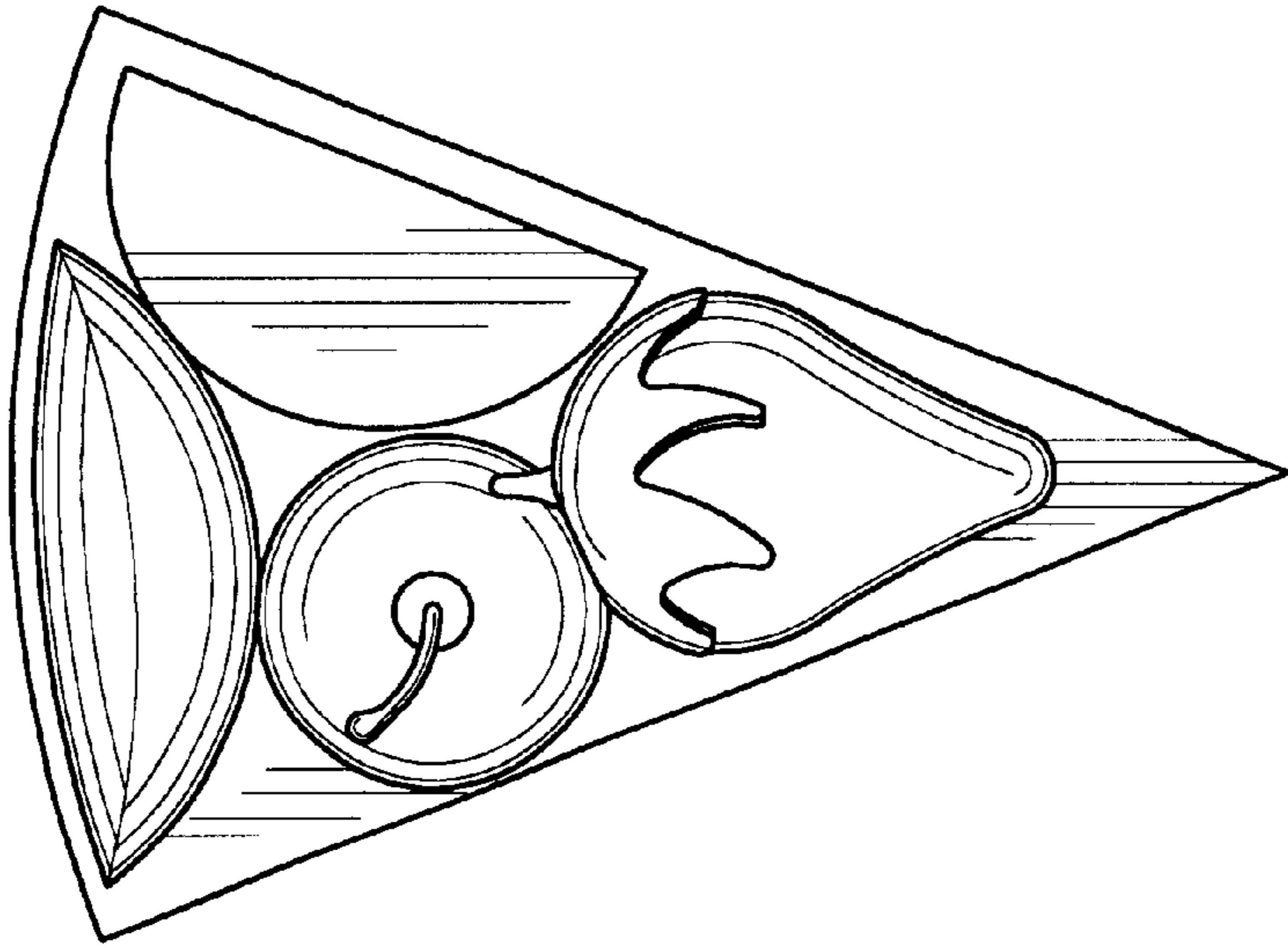


FIG. 6