



US00D480504S

(12) **United States Design Patent**  
**Taylor**

(10) **Patent No.:** **US D480,504 S**

(45) **Date of Patent:** **\*\* Oct. 7, 2003**

(54) **CIGARETTE BUTT RECEPTACLE**

D389,600 S \* 1/1998 Luedecke ..... D27/118  
D452,929 S \* 1/2002 Perelli ..... D27/107

(75) Inventor: **Curtis Taylor**, Chagrin Falls, OH (US)

\* cited by examiner

(73) Assignee: **UltraTech International, Inc.**,  
Jacksonville, FL (US)

*Primary Examiner*—Jennifer Rivard  
(74) *Attorney, Agent, or Firm*—Thomas C. Saitta

(\*\*) Term: **14 Years**

(57) **CLAIM**

(21) Appl. No.: **29/179,169**

The ornamental design for a cigarette butt receptacle, as shown and described.

(22) Filed: **Apr. 4, 2003**

**DESCRIPTION**

(51) **LOC (7) Cl.** ..... **27-03**

(52) **U.S. Cl.** ..... **D27/119; D27/122; D27/107**

(58) **Field of Search** ..... D27/102, 103,  
D27/106, 107, 119, 122; 131/231, 235.1,  
236, 240.1, 241, 242; D11/117

FIG. 1 is a front view of the invention, the base shown in broken lines being environmental structure not forming a part of the claimed design.

FIG. 2 is a rear view.

FIG. 3 is a left side view.

FIG. 4 is a right side view.

FIG. 5 is a top view; and,

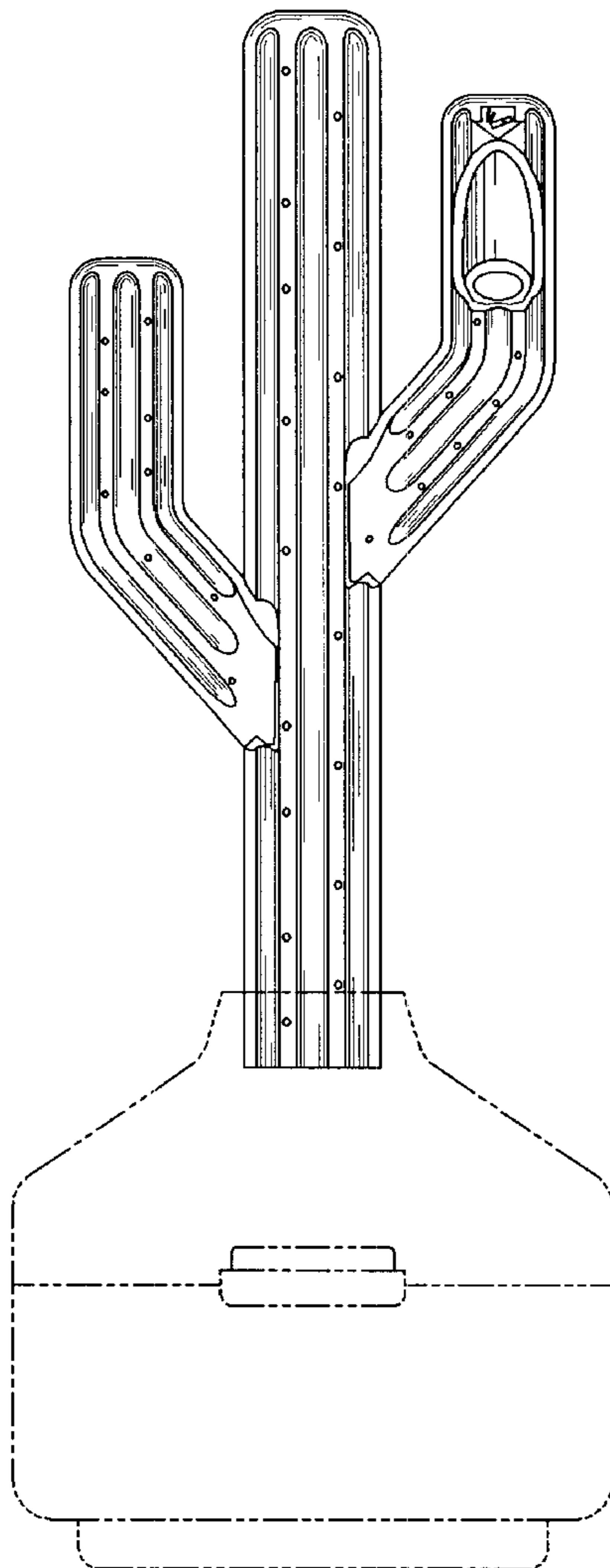
FIG. 6 is a bottom view.

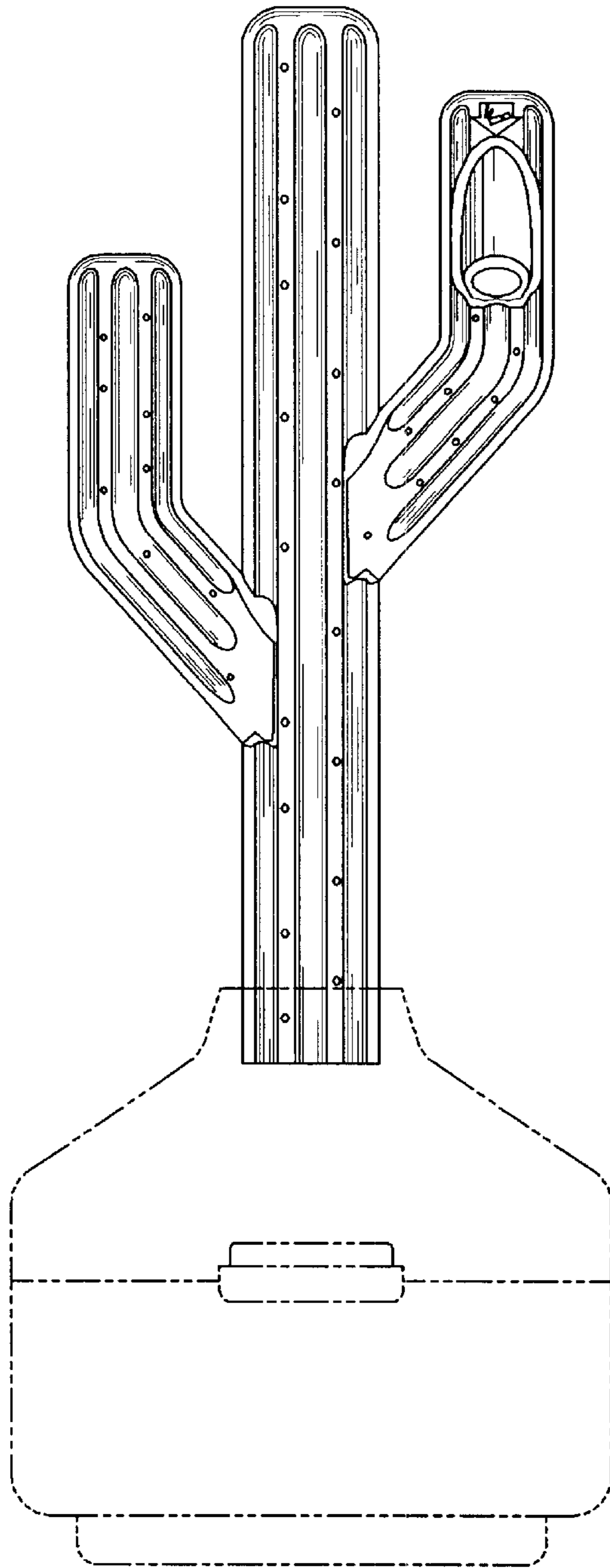
(56) **References Cited**

**U.S. PATENT DOCUMENTS**

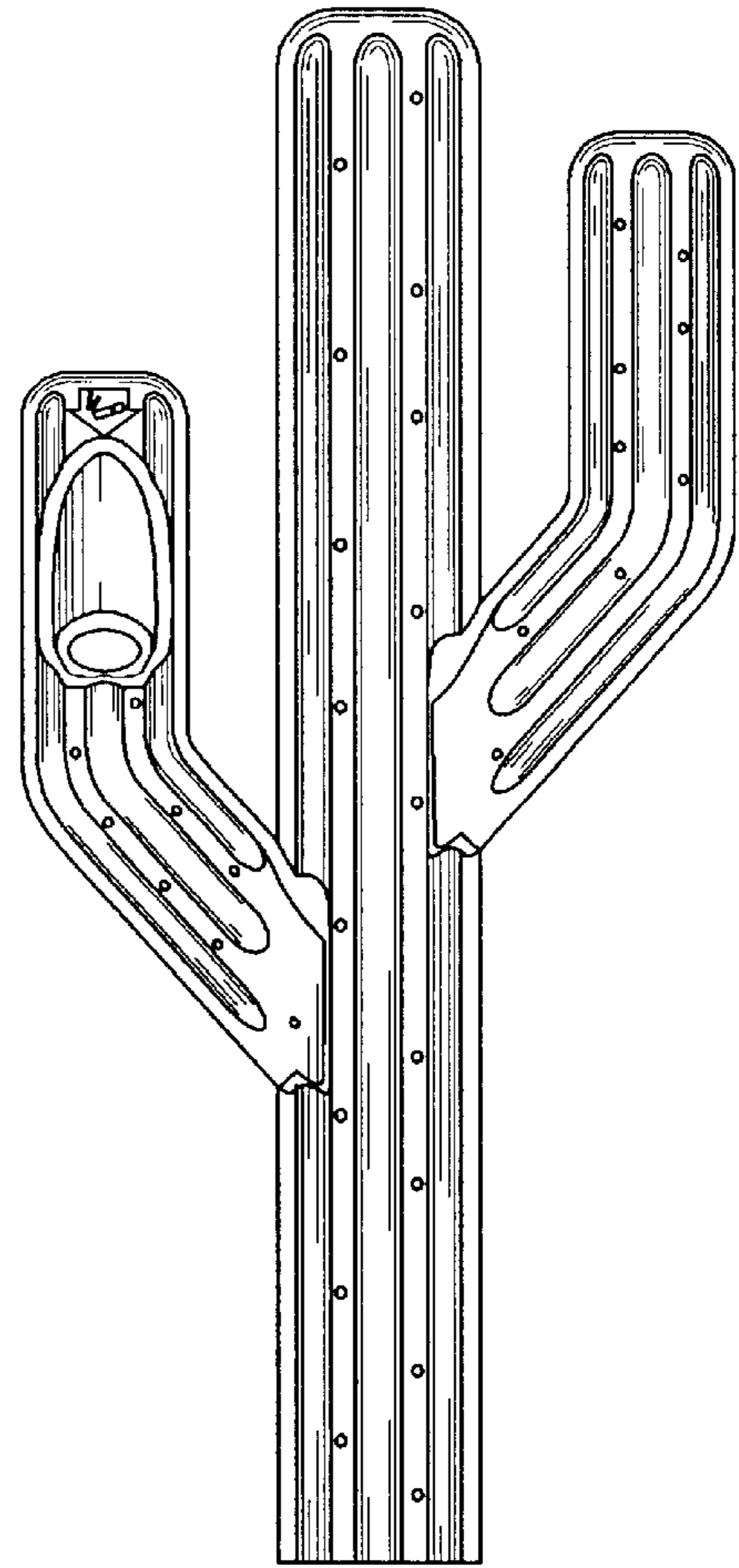
D82,959 S \* 12/1930 Schwarz ..... D27/107

**1 Claim, 2 Drawing Sheets**

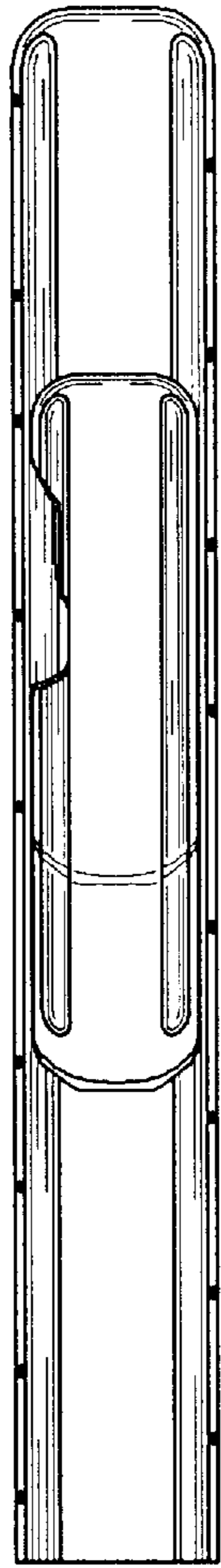




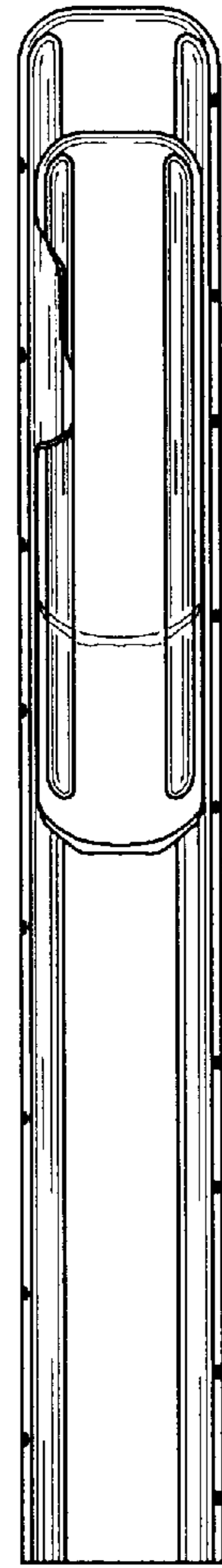
*Fig. 1*



*Fig. 2*



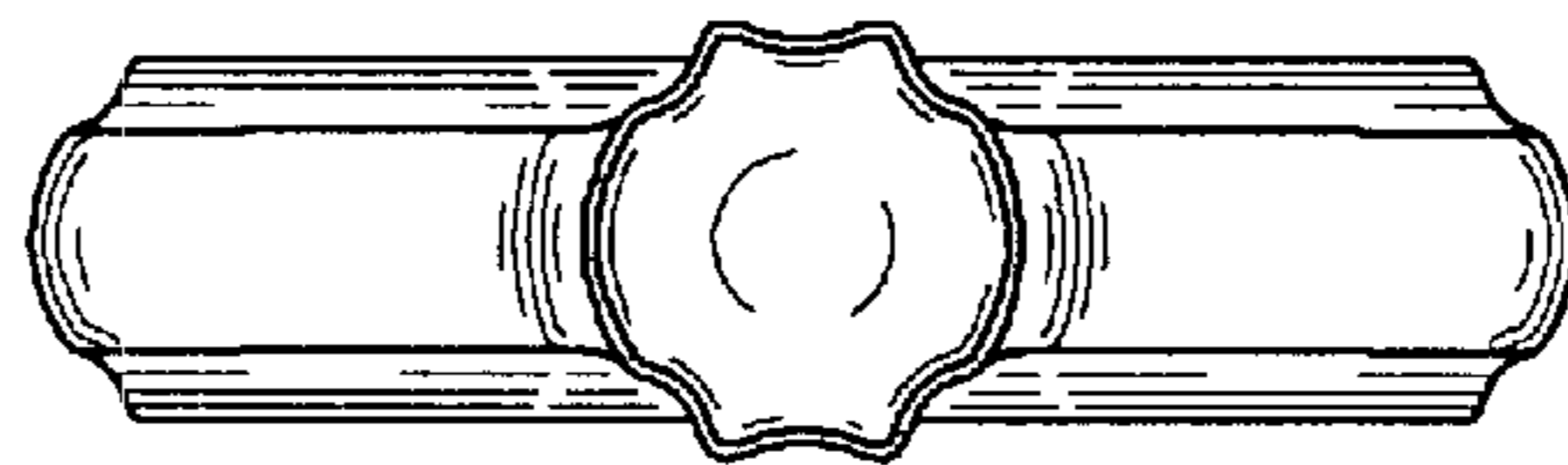
*Fig. 3*



*Fig. 4*



*Fig. 5*



*Fig. 6*