



US00D480502S

(12) **United States Design Patent**
Herst et al.

(10) **Patent No.:** **US D480,502 S**
(45) **Date of Patent:** **** Oct. 7, 2003**

(54) **LUMINAIRE**

(75) Inventors: **Douglas J. Herst**, Ross, CA (US);
Peter Y. Y. Ngai, Alamo, CA (US);
Michael Tran, Oakland, CA (US)
(73) Assignee: **Acuity Brands, Inc.**, Atlanta, GA (US)
(**) Term: **14 Years**

(21) Appl. No.: **29/166,410**
(22) Filed: **Aug. 26, 2002**

(51) **LOC (7) Cl.** **26-99**
(52) **U.S. Cl.** **D26/121; D26/77**
(58) **Field of Search** **D26/72, 75-78,**
D26/118, 119, 121, 122, 152; 362/215,
217-225, 260, 291, 342, 354

(56) **References Cited**

U.S. PATENT DOCUMENTS

D143,641	S	*	1/1946	Biller et al.	D26/121
2,429,141	A	*	10/1947	Taylor		
D147,905	S	*	11/1947	Holmes	D26/86
D149,655	S	*	5/1948	Lindahl	D26/77
D155,337	S	*	9/1949	Dunbar	D26/77
D156,332	S	*	12/1949	Gilman	D26/77
D160,417	S	*	10/1950	Nitardy	D26/76
2,946,880	A	*	7/1960	Picha et al.	362/224
D294,067	S	*	2/1988	Ambasz	D26/76
5,144,539	A	*	9/1992	Katoh et al.	362/256
D455,516	S	*	4/2002	Casciani et al.	D26/76
D459,517	S	*	6/2002	Shemitz et al.	D26/76
6,402,345	B1		6/2002	Fishman		

OTHER PUBLICATIONS

Product brochure, Corelite, Stellar suspended Direct/Indirect (1 page); date unknown.
Product sheets, Finelite, Series 2 Lighting Fixture (4 pages); date unknown.
Product brochure, Amerlux Lighting Systems, Spaceform I, II and III (4 pages); date unknown.

* cited by examiner

Primary Examiner—Clare E. Heflin
(74) *Attorney, Agent, or Firm*—Donald L. Beeson

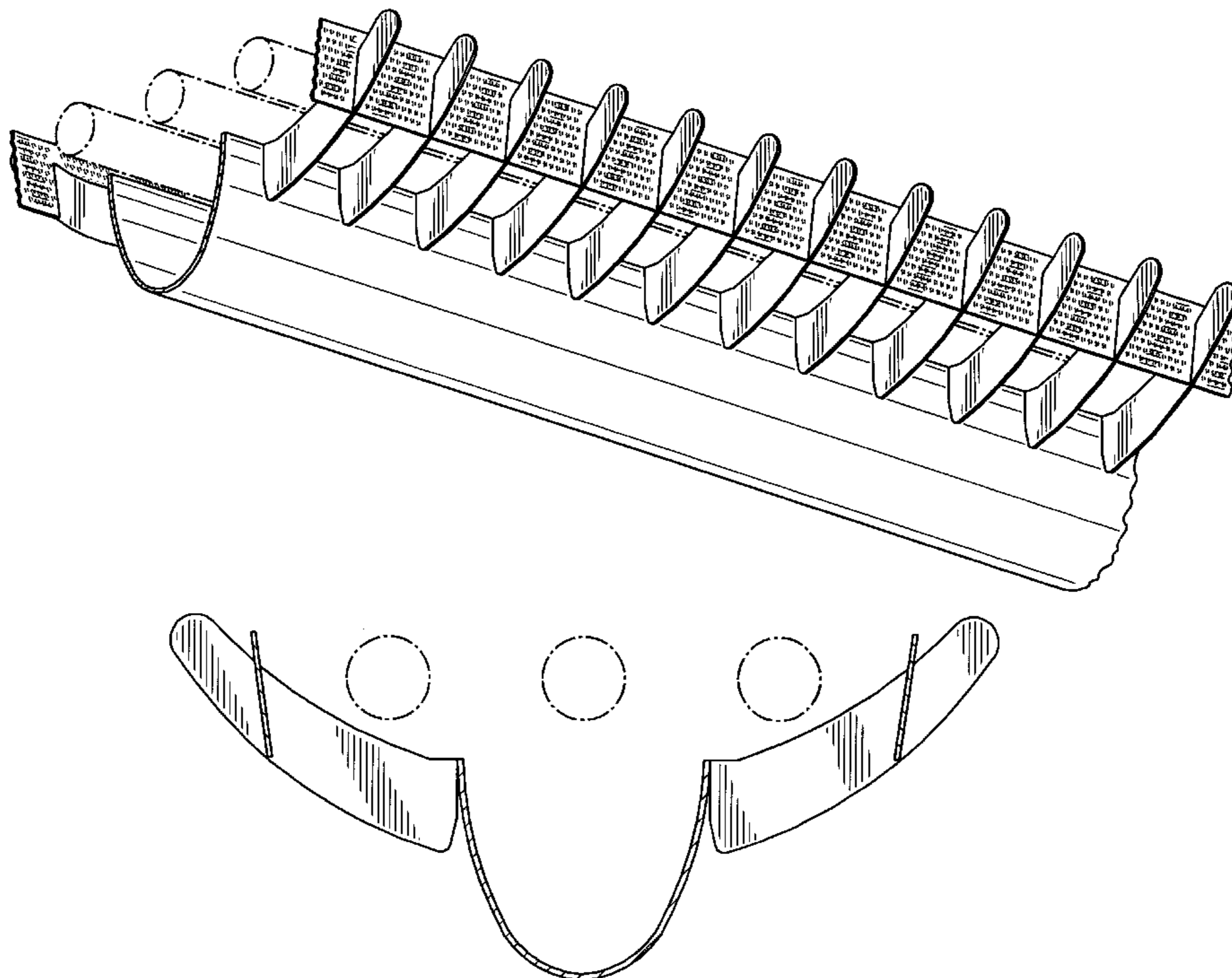
(57) **CLAIM**

The ornamental design for a luminaire, as shown and described.

DESCRIPTION

FIG. 1 is a bottom perspective view of a luminaire showing our new design;
FIG. 2 is a bottom plan view thereof;
FIG. 3 is a right side elevational view thereof, the left side being a mirror image;
FIG. 4 is a cross-sectional view thereof taken along the line 4-4 in FIG. 2; and,
FIG. 5 is an enlarged side elevational view thereof.
FIGS. 1-3 and 5 are broken away to indicate indeterminate length. The broken lines are shown in FIGS. 1 and 4 for illustrative purposes only and indicate the nature and use of our new design. The top of the luminaire is unornamented and forms no part of our new design.

1 Claim, 4 Drawing Sheets



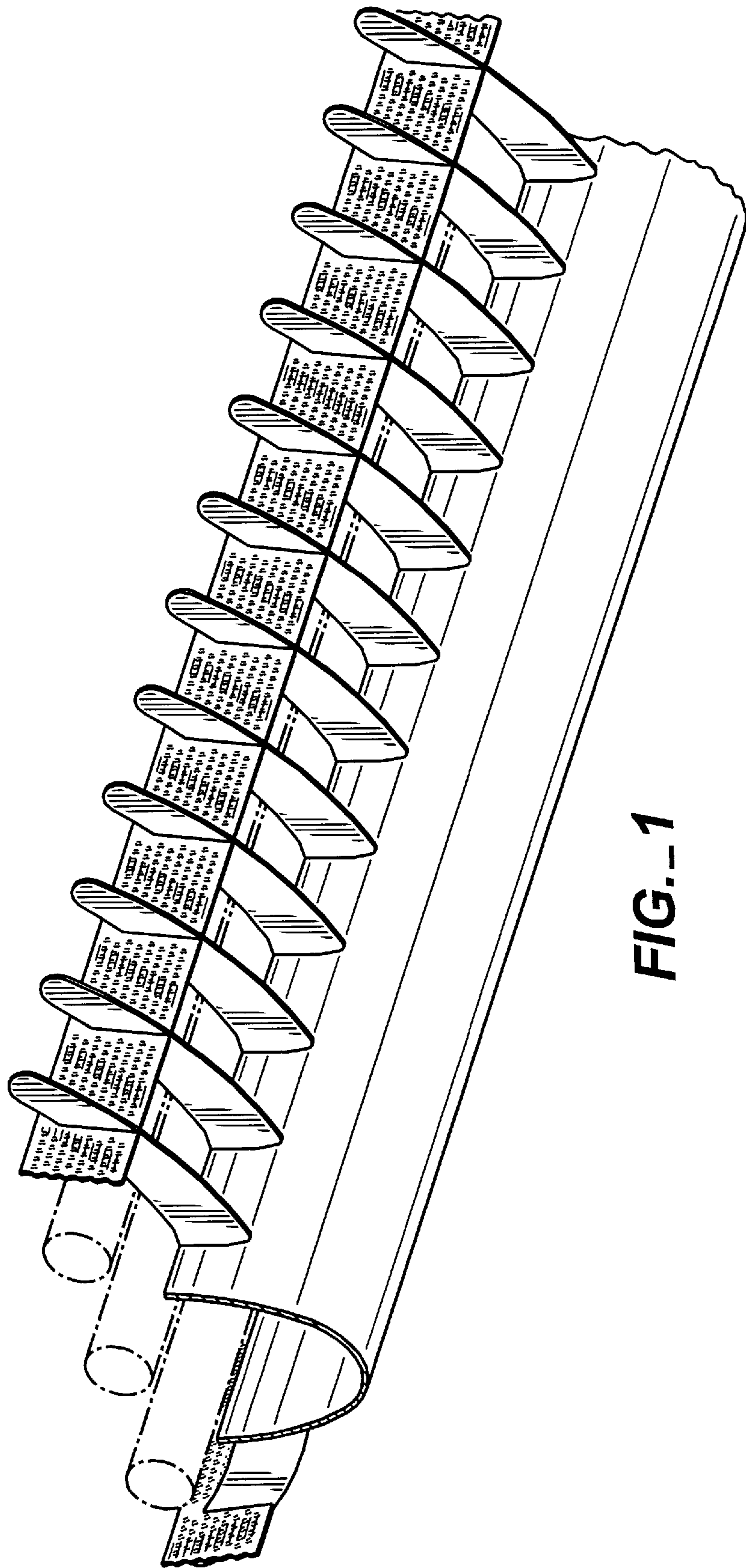


FIG. 1

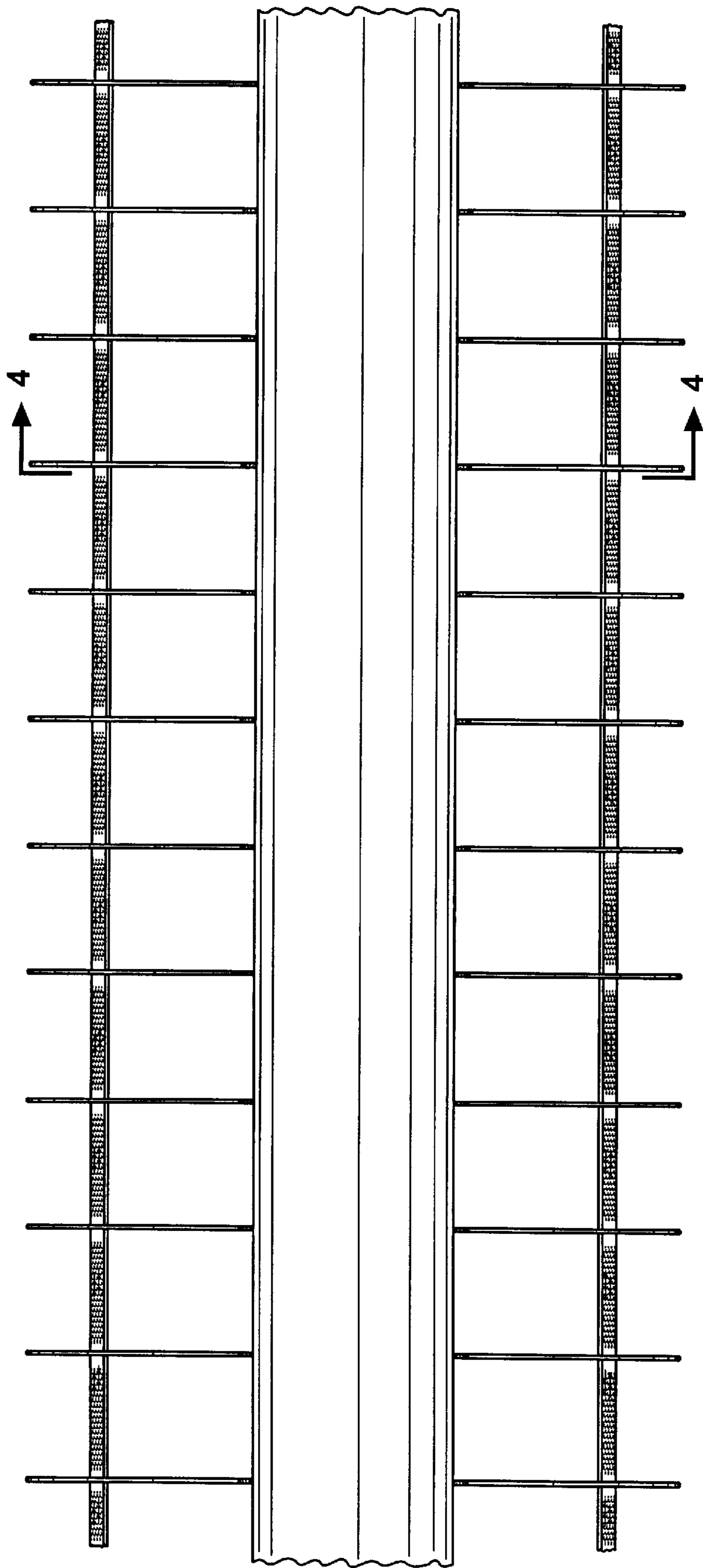


FIG.-2

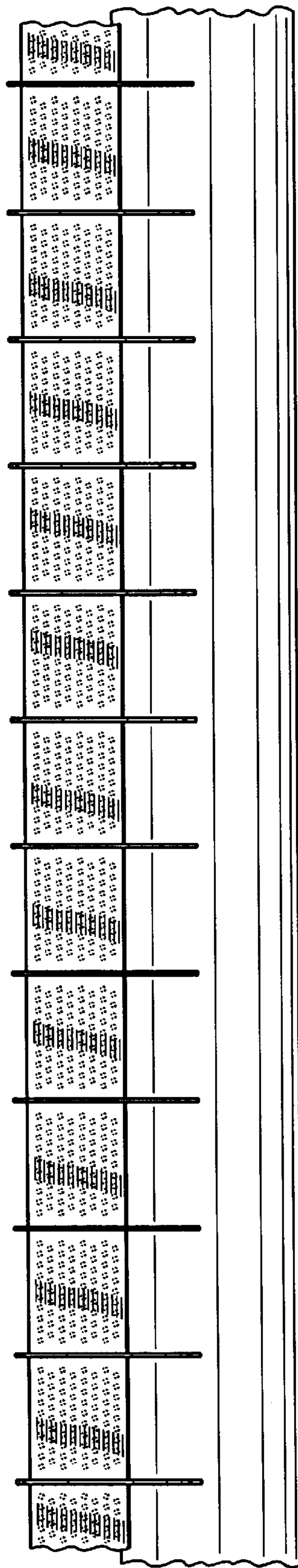


FIG. 3

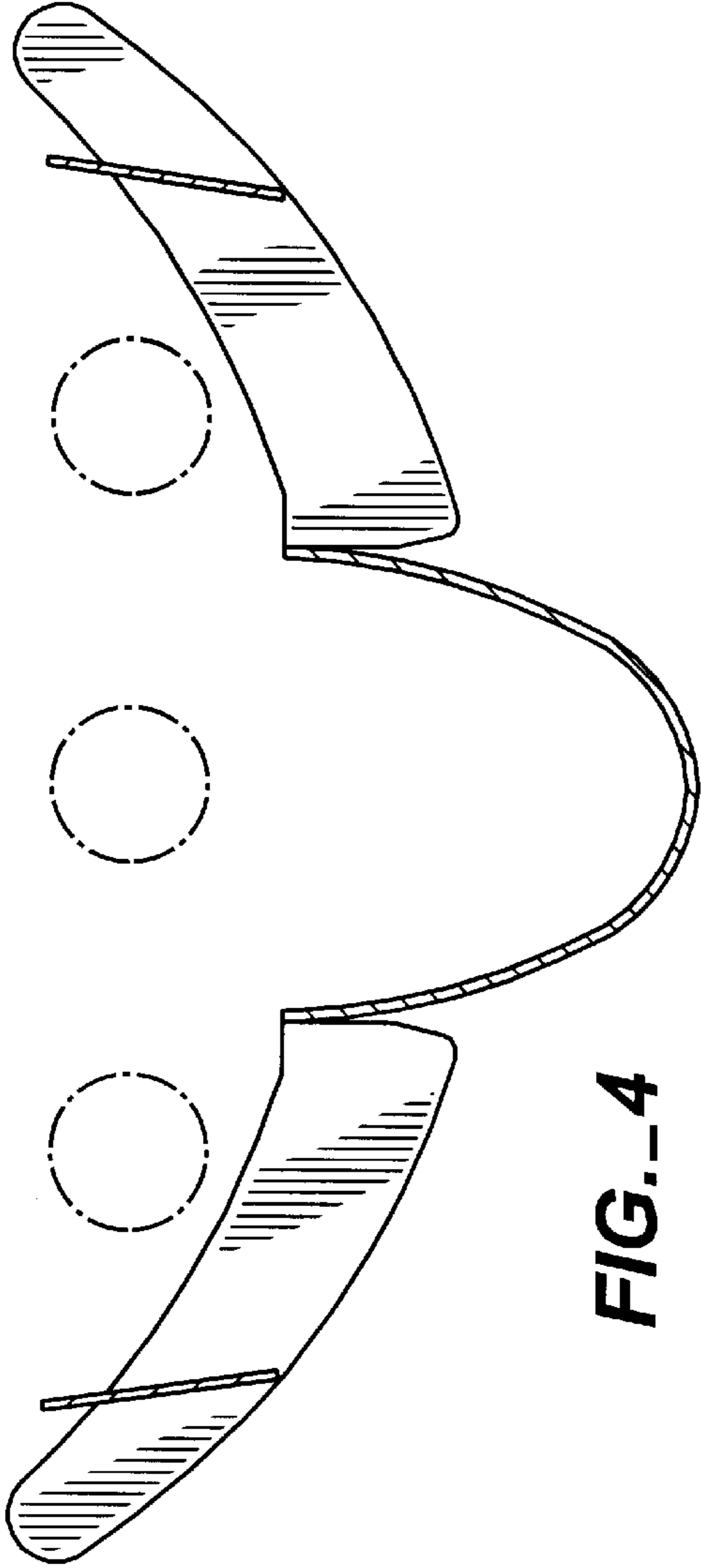


FIG. 4

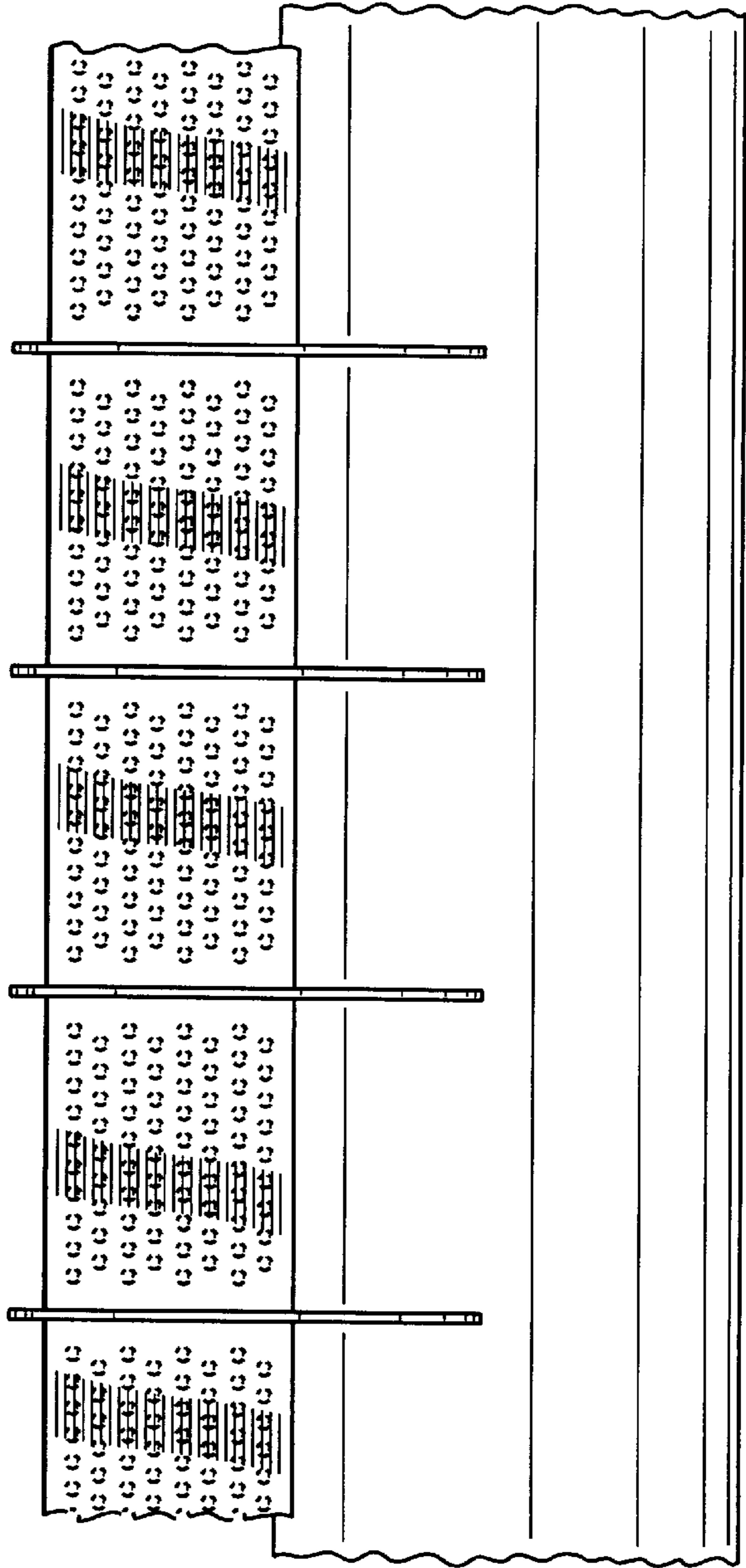


FIG. 5