



US00D480492S

(12) **United States Design Patent**
Wu

(10) **Patent No.:** **US D480,492 S**

(45) **Date of Patent:** **** Oct. 7, 2003**

- (54) **FLASHLIGHT WITH FLAT EDGE INTEGRAL CLIP**
- (75) Inventor: **Kent Wu**, Ninghai Zhejiang (CN)
- (73) Assignee: **Webb Business Promotions, Incorporated**, Rosemount, MN (US)
- (**) Term: **14 Years**
- (21) Appl. No.: **29/169,937**
- (22) Filed: **Oct. 28, 2002**
- (51) **LOC (7) Cl.** **26-02**
- (52) **U.S. Cl.** **D26/38**
- (58) **Field of Search** D26/37-50; 362/157, 362/158, 171, 172, 173, 183-208

- D447,932 S 9/2001 Kelleghan
- D448,276 S 9/2001 Kelleghan
- D454,054 S 3/2002 Kelleghan
- 6,357,890 B1 3/2002 Parsons et al.
- D455,642 S 4/2002 Kelleghan
- D456,693 S 5/2002 Kelleghan
- D459,338 S 6/2002 Sterzick
- D465,723 S 11/2002 Kelleghan
- D465,993 S 11/2002 Kelleghan
- D465,994 S 11/2002 Kelleghan
- D465,995 S 11/2002 Kelleghan
- D466,791 S 12/2002 Kelleghan
- D466,793 S 12/2002 Kelleghan
- D467,156 S 12/2002 Bishop
- D467,819 S 12/2002 Tang
- D471,305 S * 3/2003 Luquire D26/38

* cited by examiner

Primary Examiner—Marcus A. Jackson
(74) *Attorney, Agent, or Firm*—Merchant & Gould P.C.

(56) **References Cited**

U.S. PATENT DOCUMENTS

- 4,095,316 A 6/1978 Gabriel
- 4,802,264 A 2/1989 Isenhardt
- 4,811,467 A 3/1989 Lowe
- 5,005,266 A 4/1991 Fister et al.
- D345,688 S 4/1994 McLean et al.
- 5,329,675 A 7/1994 McLean et al.
- 5,878,834 A 3/1999 Brainerd et al.
- 5,940,943 A 8/1999 Kloster
- 6,190,018 B1 2/2001 Parsons et al.
- D441,473 S * 5/2001 Parsons et al. D26/38
- 6,223,372 B1 5/2001 Barber
- D444,685 S 7/2001 Shenkel et al.
- D445,518 S * 7/2001 Warden D26/38
- D445,928 S * 7/2001 Sharrah et al. D26/38
- D447,680 S 9/2001 Kelleghan
- D447,681 S 9/2001 Kelleghan

(57) **CLAIM**

The ornamental design for a flashlight with flat edge integral clip, as shown and described.

DESCRIPTION

FIG. 1 is a top, front perspective view of a flashlight with integral clip made in accordance with my new design; FIG. 2 is a right side view of the embodiment of FIG. 1, the left side view being the mirror image of the right side view; FIG. 3 is a top view of the embodiment of FIG. 1; FIG. 4 is a bottom view of the embodiment of FIG. 1; FIG. 5 is a front view of the embodiment of FIG. 1; and, FIG. 6 is a rear view of the embodiment of FIG. 1.

1 Claim, 1 Drawing Sheet

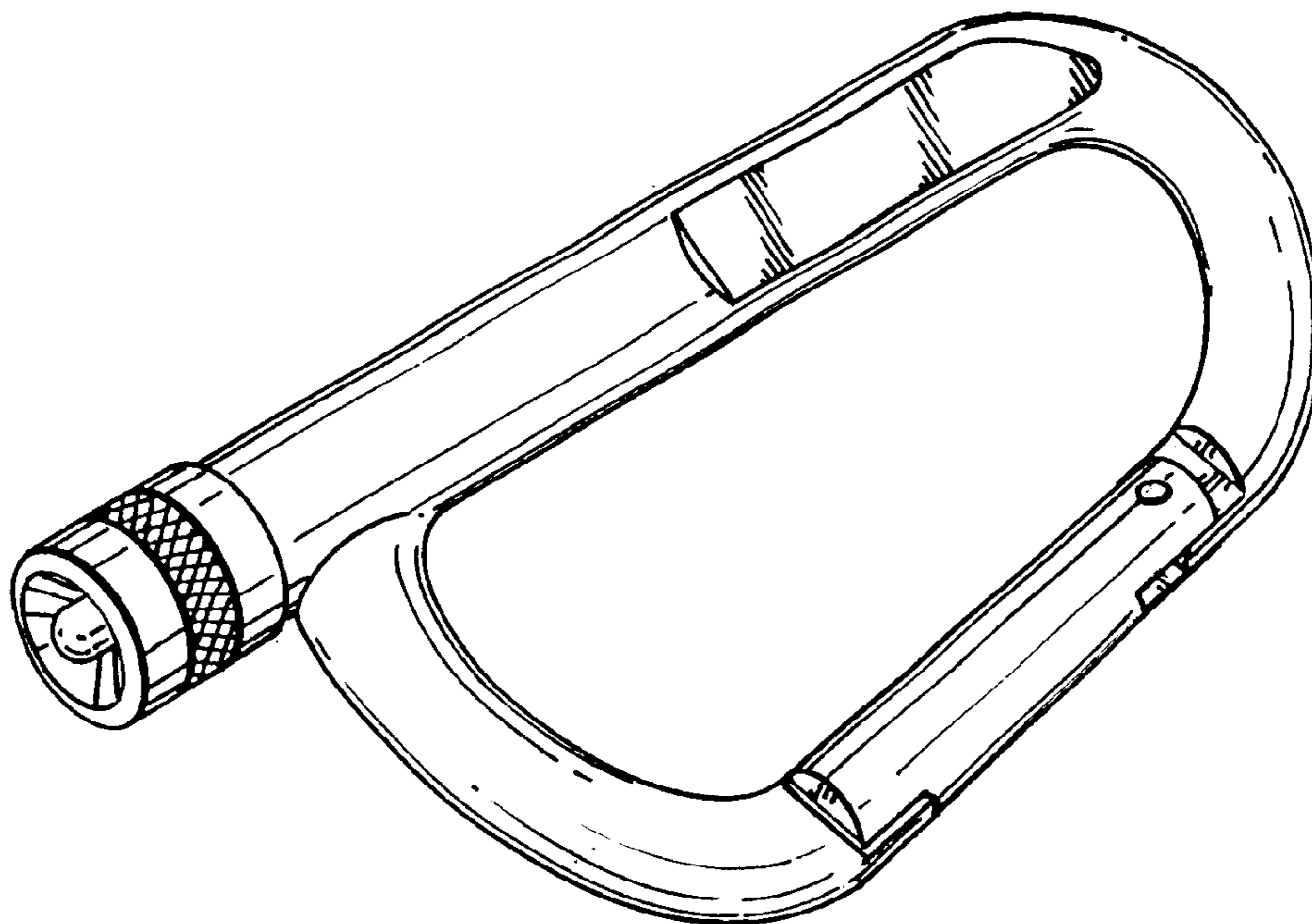


FIG. 1

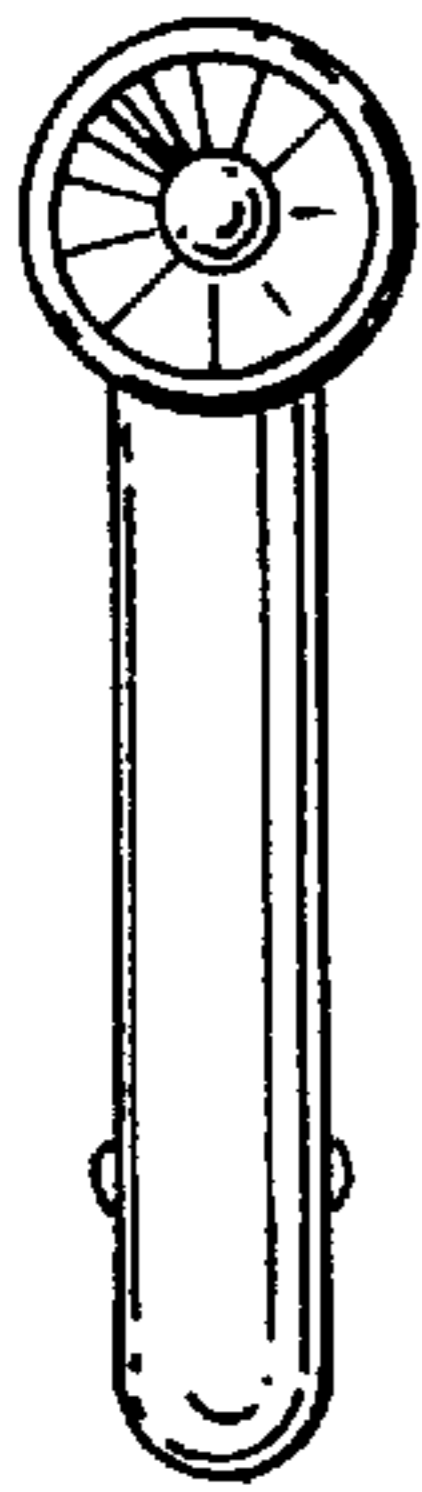
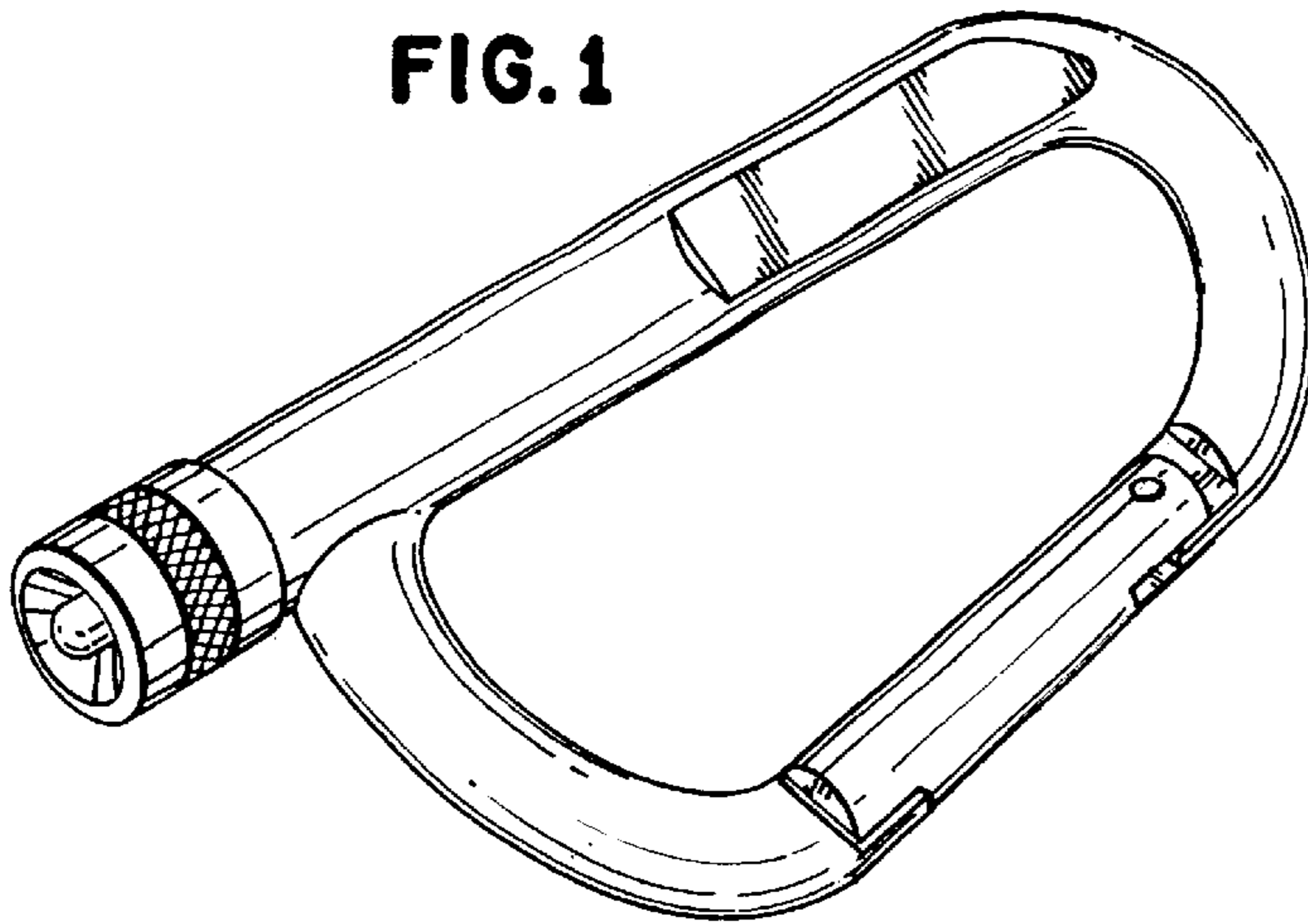


FIG. 5

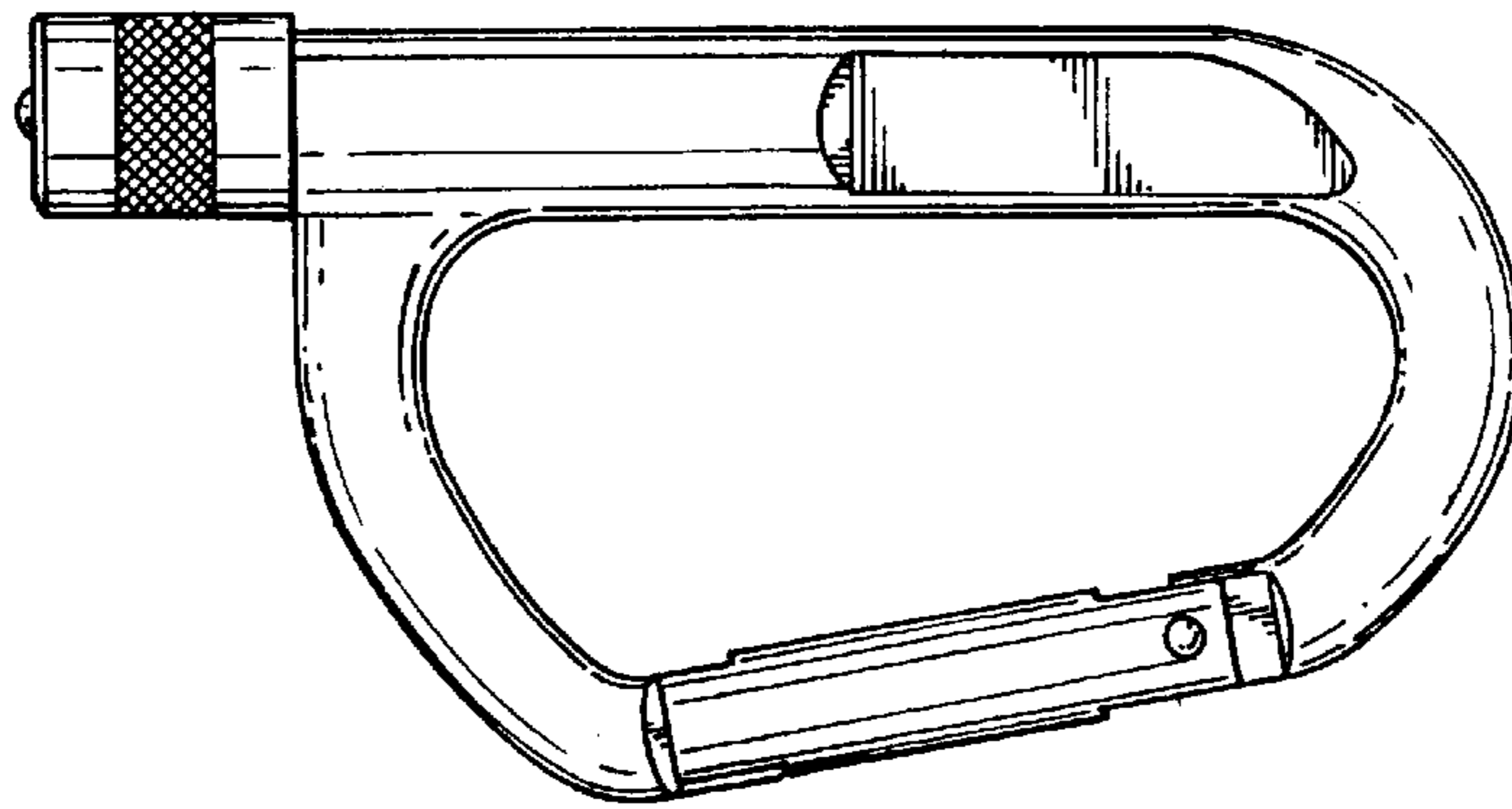


FIG. 2

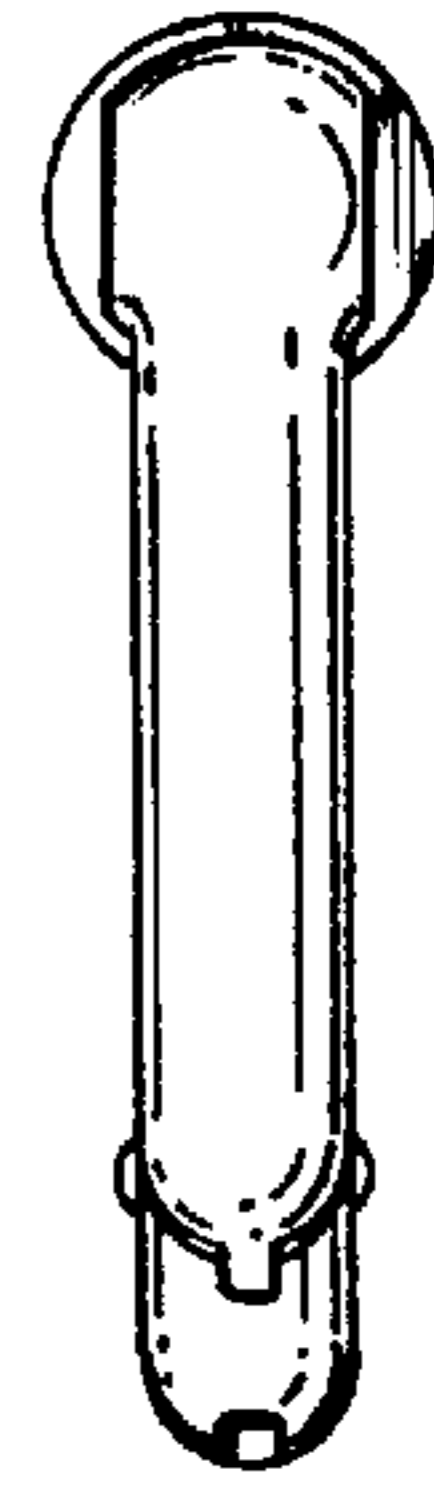


FIG. 6

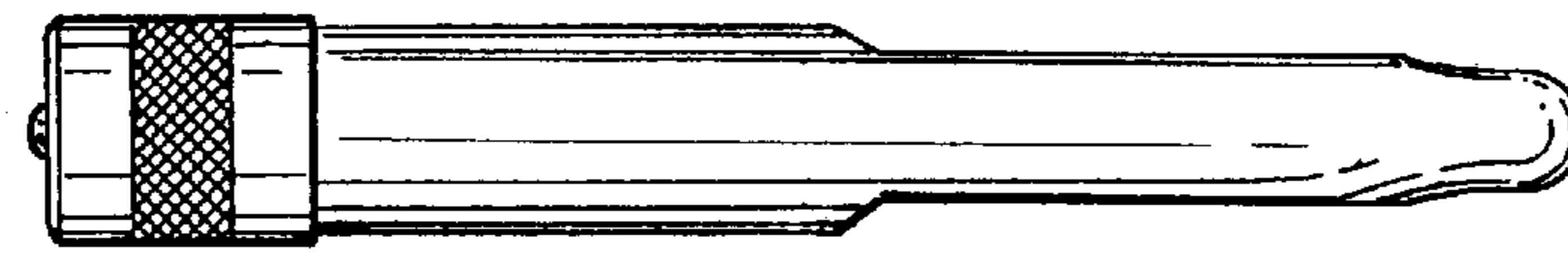


FIG. 3

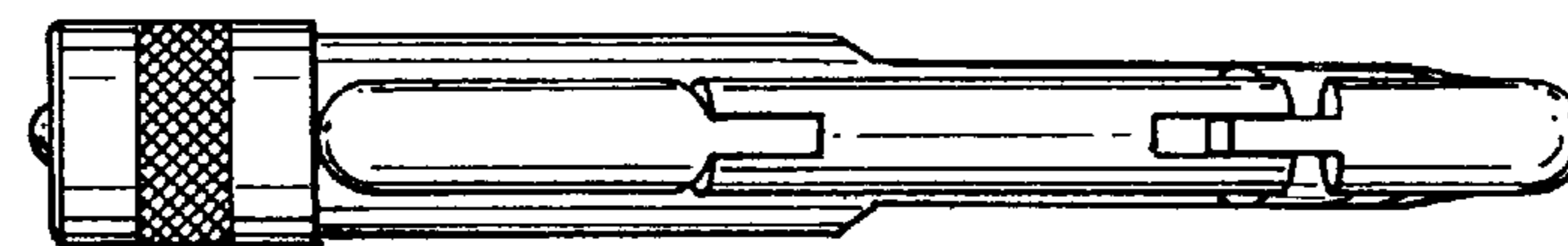


FIG. 4